

Haier

HCW58F18EWMP



Refrigerator

User Guide

Chladnička

Uživatelská příručka

Kühlschrank

Benutzerhandbuch

Ψυγείο

Οδηγός χρήστη

Frigorífico

Guía del usuario

Réfrigérateur

Manuel d'utilisation

Hűtőberendezés

Felhasználói útmutató

Frigorifero

Guida per l'utente

Koelkast

Gebruiksaanwijzing

Chłodziarka

Podręcznik użytkownika

Frigorífico

Guia de utilizador

Frigider

Manualul utilizatorului

Buzdolabi

Kullanıcı Kılavuzu

Chladnička

Příručka uživatele

GB

CS

DE

EL

ES

FR

HU

IT

NL

PL

PT

RO

TR

SK

DOWNLOAD THE hOn App

Discover extra contents





EN WARNING: Risk of fire/flammable material.

The symbol indicates there is a risk of fire since flammable materials are used. Take care to avoid causing a fire by igniting flammable material.

CZ VAROVÁNÍ: Nebezpečí požáru/hořlavý materiál.

Tento symbol signalizuje, že hrozí nebezpečí požáru kvůli použití hořlavých materiálů. Dejte pozor, abyste zamezili způsobení požáru zapálením hořlavého materiálu.

DE WARNUNG: Brandgefahr/entzündliches Material.

Das Symbol zeigt an, dass Brandgefahr besteht, da brennbare Materialien verwendet werden. Achten Sie darauf, dass kein Feuer entstehen kann, indem brennbares Material sich entzündet.

EL ΠΡΟΕΙΔΟΠΟΙΗΣΗ: Κίνδυνος πυρκαγιάς/εύφλεκτα υλικά.

Το σύμβολο υποδεικνύει ότι υπάρχει κίνδυνος πυρκαγιάς, καθώς χρησιμοποιούνται εύφλεκτα υλικά. Επιδείξτε προσοχή για την αποτροπή της πρόκλησης πυρκαγιάς εξαιτίας των εύφλεκτων υλικών.

ES ADVERTENCIA: Riesgo de incendio/material inflamable.

El símbolo indica que existe riesgo de incendio dado que se utilizan materiales inflamables. Tenga cuidado de evitar provocar un incendio por la ignición de material inflamable.

FR AVERTISSEMENT : Risque d'incendie/matière inflammable.

Le symbole indique qu'il y a un risque d'incendie, car des matériaux inflammables sont utilisés. Évitez de provoquer un incendie en brûlant des matières inflammables.

HU FIGYELMEZTETÉS: Tűzveszély/gyúlékony anyagok.

A szimbólum a tűzveszélyről tájékoztat, ami a gyúlékony anyagok használatából adódik. Figyeljen a tűz megelőzésére, mivel a gyúlékony anyag lángra kaphat.

IT AVVERTENZA: Rischio di incendio / Materiale infiammabile.

Il simbolo indica che esiste il rischio di incendio poiché sono utilizzati materiali infiammabili. Prestare particolare attenzione per evitare incendi causati dall'accensione di materiali infiammabili.

NL WAARSCHUWING: Risico op brand/ontvlambaar materiaal.

Het symbool geeft aan dat er brandgevaar bestaat doordat brandbare materialen worden gebruikt. Let op dat u geen brand veroorzaakt door brandbare materialen te ontsteken.

PL OSTRZEŻENIE: Ryzyko pożaru/materiału łatwopalnego.

Ten symbol wskazuje na ryzyko pożaru, ponieważ urządzenie zawiera materiały łatwopalne. Uważaj, aby nie spowodować pożaru przez podpalenie łatwopalnego materiału.

PT AVISO: Risco de incêndio/material inflamável.

O símbolo indica que existe um risco de incêndio, uma vez que são utilizados materiais inflamáveis. Tenha cuidado para evitar provocar um incêndio acendendo material inflamável.

RO AVERTISMENT: Risc de incendiu/material inflamabil.

Simbolul indică riscul de incendiu, deoarece se utilizează materiale inflamabile. Evitați provocarea unui incendiu cauzat de materialele inflamabile care se pot aprinde.

TR UYARI: Yangın/yanıcı malzeme riski.

Sembol, yanıcı malzemeler kullanıldığından yangın riski olduğunu gösterir. Yanıcı malzemeyi ateşleyerek yangına yol açmamaya özen gösterin.

SK VAROVANIE: Nebezpečnosť požiaru/horľavý materiál.

Symbol označuje nebezpečnosť požiaru, pretože sa používajú horľavé materiály. Dávajte pozor, aby ste zabránili vzniku požiaru vznietením horľavého materiálu.



User Manual

Refrigerator-Freezer

HCW58F18EWMP

GB

Haier

Thank you for purchasing a Haier Product.

Please read these instructions carefully before using this appliance. The instructions contain important information which will help you get the best out of the appliance and ensure safe and proper installation, use and maintenance.

Keep this manual in a convenient place so you can always refer to it for the safe and proper use of the appliance.

If you sell the appliance, give it away or leave it behind when you move house, make sure you also pass this manual so that the new owner can become familiar with the appliance and safety warnings.

Legend



Warning - Important Safety information



General information and tips



Environmental information

Disposal



Help protect the environment and human health. Put the packaging in applicable containers to recycle it. Help to recycle waste of electrical and electronic appliances. Do not dispose appliances marked with this symbol with the household waste. Return the product to your local recycling facility or contact your municipal office.



WARNING!

Risk of injury or suffocation!

Refrigerants and gases must be disposed of professionally. Ensure that the tubing of the refrigerant circuit is not damaged before being properly disposed of. Disconnect the appliance from the mains supply. Cut off the mains cable and dispose of it. Remove the trays and drawers as well as the door catch and seals, to prevent children and pets to get closed in the appliance.

Safety information.....	4
Product description.....	10
Control panel	11
Use	12
Equipment.....	26
Care and cleaning	29
Troubleshooting	32
Installation	35
Technical data	38
Customer service	40

Accessories

Check the accessories and literature in accordance with this list:



Ice maker with
ice scoop



3 spacers



Energy label



Warranty card



User manual
"OK" Sticker
User manual

Note: Only for model HCW58F18EWMP

Before switching on the appliance for the first time read the following safety hints!:



WARNING!

Before first use

- ▶ Make sure there is no transport damage.
- ▶ Remove all packaging and keep out of children's reach.
- ▶ Wait at least two hours before installing the appliance in order to ensure the refrigerant circuit is fully efficient.
- ▶ Handle the appliance always with at least two persons because it is heavy.

Installation

- ▶ The appliance should be placed in a well-ventilated place. Ensure a space of at least 10 cm above and around the appliance.
- ▶ Never place the appliance in a damp area or location where it might be splashed with water. Clean and dry water splashes and stains with a soft clean cloth.
- ▶ Do not install the appliance in direct sunlight or in the near of heat sources (e.g. stoves, heaters).
- ▶ Install and level the appliance in an area suitable for its size and use.
- ▶ **WARNING:** Keep ventilation openings in the appliance or in the in-built structure clear of obstruction.
- ▶ Make sure that the electrical information on the rating plate agrees with the power supply. If it does not, contact an electrician.
- ▶ The appliance is operated by a 220-240 VAC/50 Hz power supply. Abnormal voltage fluctuation may cause the appliance to fail to start, or damage to the temperature control or compressor, or there may be an abnormal noise when operating. In such case, an automatic regulator shall be mounted.
- ▶ Do not use multi-plug adapters and extension cables.
- ▶ **WARNING:** Do not locate multiple portable socket-outlets or portable power supplies at the rear of the appliance.
- ▶ **WARNING:** When positioning the appliance, ensure the supply cord is not trapped or damaged.
- ▶ Do not step on the power cable.
- ▶ Use a separate earthed socket for the power supply which is easy accessible. The appliance must be earthed.

**WARNING!**

- ▶ **Only for UK:** The appliance's power cable is fitted with 3-cord (grounding) plug that fits a standard 3-cord (grounded) socket. Never cut off or dismount the third pin (grounding). After the appliance is installed, the plug should be accessible.
- ▶ **WARNING:** Do not damage the refrigerant circuit.

Daily use

- ▶ This appliance can be used by children aged from 8 years and above and persons with reduced physical, sensory or mental capabilities or lack of experience and knowledge if they have been given supervision or instruction concerning use of the appliance in a safe way and understand the hazards involved.
- ▶ Children shall not play with the appliance.
- ▶ Children aged from 3 to 8 years are allowed to load and unload refrigerating appliances, but not allowed to clean and install the refrigerating appliances.
- ▶ Keep away children under 3 years of age from the appliance unless they are constantly supervised.
- ▶ Cleaning and user maintenance shall not be made by children without supervision.
- ▶ The appliance must be positioned so that the plug is accessible.
- ▶ If coal gas or other inflammable gas is leaking into vicinity of the appliance, turn off the valve of the leaking gas, open the doors and windows and do not unplug the power cable of the refrigerator/freezer or any other appliance.
- ▶ Notice that the appliance is set for operation at the specific ambient range between 10 and 38°C. The appliance may not work properly if it is left for a long period at a temperature above or below the indicated range.
- ▶ Do not place unstable articles (heavy objects, containers filled with water) on top of the refrigerator/freezer, to avoid personal injury caused by falling or electric shock caused by contact with water.
- ▶ Do not pull on the door shelves. The door may be pulled slant, the bottle rack may be pulled away, or the appliance may topple.
- ▶ Open and close the door only with handles. The gap between the door and the cabinet is very narrow. Do not put your hands in these areas to avoid pinching your fingers. Open or close the refrigerator/freezer doors only when there are no children standing within the range of door movement.



WARNING!

- ▶ To avoid contamination of food, please respect the following instructions:
- ▶ – Opening the door for long periods can cause a significant increase of the temperature in the compartments of the appliance.
- ▶ – Clean regularly surfaces that can come in contact with food and accessible drainage systems.
- ▶ – Clean water tanks if they have not been used for 48 h; flush the water system connected to a water supply if water has not been drawn for 5 days.
- ▶ – Store raw meat and fish in suitable containers in the refrigerator, so that it is not in contact with or drip onto other food.
- ▶ – Two-star frozen-food compartments are suitable for storing pre-frozen food, storing or making ice-cream and making ice cubes.
- ▶ – One-, two- and three-star compartments are not suitable for the freezing of fresh food.
- ▶ – If the refrigerating appliance is left empty for long periods, switch off, defrost, clean, dry, and leave the door open to prevent mould developing within the appliance.
- ▶ Never store bottled beer or beverages, liquids in bottles or cans (besides high percentage spirits) especially carbonated beverages in the freezer, as these will burst during freezing.
- ▶ Do not store explosive substances such as aerosol cans with a flammable propellant in this appliance.
- ▶ Do not store medicines, bacteria or chemical agents in the appliance. This appliance is a household appliance. It is not recommended to store materials that require strict temperatures.
- ▶ Check the condition of food if a warming in the freezer has taken place.
- ▶ Do not set unnecessarily low temperature in the refrigerator compartment. Minus temperatures may occur at high settings. Attention: Bottles can burst
- ▶ Do not touch frozen goods with wet hands (wear gloves). Especially do not eat ice lollies immediately after removal from the freezer compartment. There is the risk to freeze or the formation of frost blisters. FIRST aid: keep immediately under running cold water. Do not pull away!

**WARNING!**

- ▶ Do not touch the inside surface of the freezer storage compartment when in operation, especially with wet hands, as your hands may freeze onto the surface.
- ▶ Unplug the appliance in the event of a power interruption or before cleaning. Allow at least 7 minutes before restarting the appliance, as frequent starting may damage the compressor.
- ▶ **WARNING:** Do not use electrical appliances inside the food storage compartments of the appliance, unless they are of the type recommended by the manufacturer.

Maintenance / cleaning

- ▶ Make sure children are supervised if they carry out cleaning and maintenance.
- ▶ Disconnect the appliance from the electrical supply before undertaking any routine maintenance. Allow at least 5 minutes before restarting the appliance, as frequent starting may damage the compressor.
- ▶ Hold the plug, not the cable, when unplugging the appliance.
- ▶ Do not clean the appliance with hard brushes, wire brushes, detergent powder, petrol, amyl acetate, acetone and similar organic solutions, acid or alkaline solutions. Please clean with special refrigerator /freezer detergent to avoid damage. Eventually use warm water and baking soda solution - about a tablespoon of baking soda to a litre/quart of water. Rinse thoroughly with water and wipe dry. Do not use cleaning powders or other abrasive cleaners. Do not wash removable parts in a dishwasher.
- ▶ Do not scrape off frost and ice with sharp objects. Do not use sprays, electric heaters like heater, hair dryer, steam cleaners or other sources of heat in order to avoid damage to the plastic parts.
- ▶ **WARNING:** Do not use mechanical devices or other means to accelerate the defrosting process, other than those recommended by the manufacturer.
- ▶ If the supply cord is damaged, it must be replaced by the manufacturer, its service agent or similarly qualified persons in order to avoid a hazard.
- ▶ Do not try to repair, disassemble or modify the appliance by yourself. In case of repair please contact our customer service.
- ▶ If the illuminating lamps are damaged, it must be replaced by the manufacturer, its service agent or similarly qualified persons in order to avoid a hazard.



WARNING!

- ▶ Eliminate the dust on the back of the unit at least once in the year to avoid hazard by fire, as well as increased energy consumption.
- ▶ Do not spray or flush the appliance during cleaning.
- ▶ Do not use water spray or steam to clean the appliance.
- ▶ Do not clean the cold glass shelves or glass door with hot water. Sudden temperature change may cause the glass to break.
- ▶ If you leave your appliance out of use for an extended period, leave it open to prevent odour and unpleasant smells building up inside.

Refrigerant gas information



WARNING!

The appliance contains the flammable refrigerant ISOBUTANE (R600a). Make sure the refrigerant circuit is not damaged during transportation or installation. Leaking refrigerant may cause eye injuries or ignite. If a damage has occurred, keep away open fire sources, thoroughly ventilate the room, do **not** plug or unplug the power cords of the appliance or any other appliance. Inform the customer service.

In case of eyes get into contact with the refrigerant, rinse immediately it under running water and call immediately the eye specialist.

WARNING: The refrigeration system is under high pressure. Do not tamper with it. Since the flammable refrigerants are used, please install, handle and service the appliance strictly according to the instruction and contact the professional agent or our after-sales service to dispose of the appliance.



WARNING!

For refrigerators with ice-water function, please pay attention to the following warning:

For appliances not intended to be connected to the water supply:

WARNING: fill with portable water only.

For appliances intended to be connected to the water supply:

WARNING: connect to potable water supply only.

If you want to clean the water system, please refer to the User Manual. If you have any questions, please contact the after-sales service.

Intended use

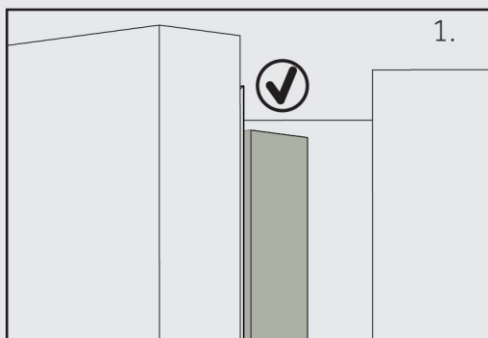
This appliance is intended for cooling and freezing food. It has been designed exclusively for use in household and similar applications such as staff kitchen areas in shops, offices and other working environments; farm houses and by clients in hotels, motels and other residential type environments as well as in bed-and-breakfast and catering business. It is not intended for commercial or industrial use. Changes or modifications to the device are not allowed. Unintended use may cause hazards and loss of warranty claims.

Standards and directives **CE** and **UKCA**

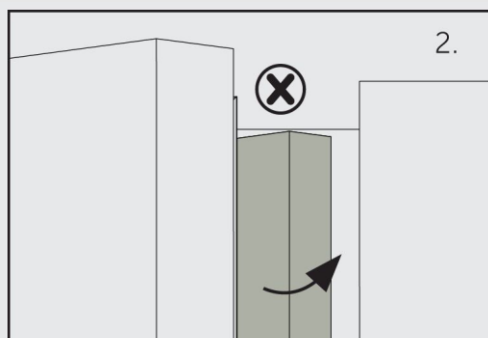
This product meets the requirements of all applicable EC directives with the corresponding harmonised standards and UK standards, which provide for CE and UKCA marking.



CAUTION!



When you close the door, the vertical door strip on the fridge left door should be bent inside (1).



If you try to close the left door and the vertical door strip is unbent (2), you should bend it firstly, otherwise the door strip will hit the fixing shaft or right door. Thus a damage to the door slip or a leak will occur.

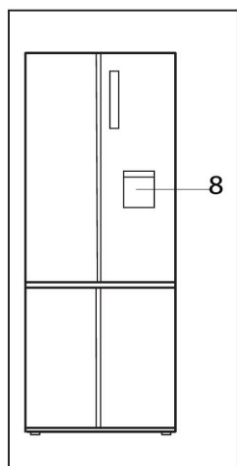
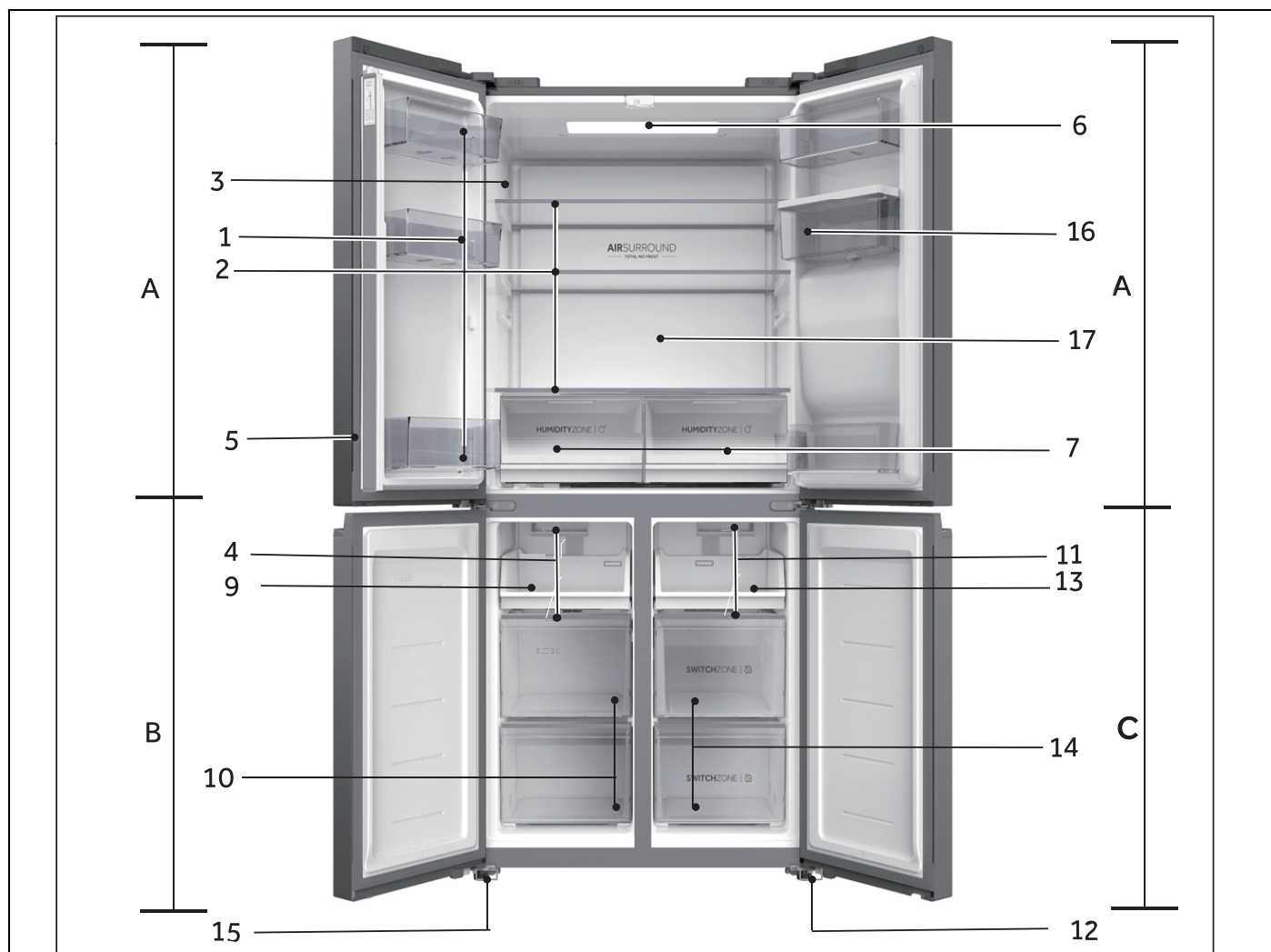
There is a heating thread inside the frame. The temperature of the surface will rise a little, which is normal and won't affect the function of appliance.



Notice

Due to technical changes and different models, some of the illustrations in this manual may differ from your model.

Model (HCW58F18EWMP)



A: Refrigerator compartment

- 1 Door shelf
- 2 Cabinet shelf
- 3 Rating plate
- 5 Door strip
- 6 Ceiling light
- 7 Humidity zone drawer
- 8 Water dispenser
- 16 Water tank
- 17 Air duct

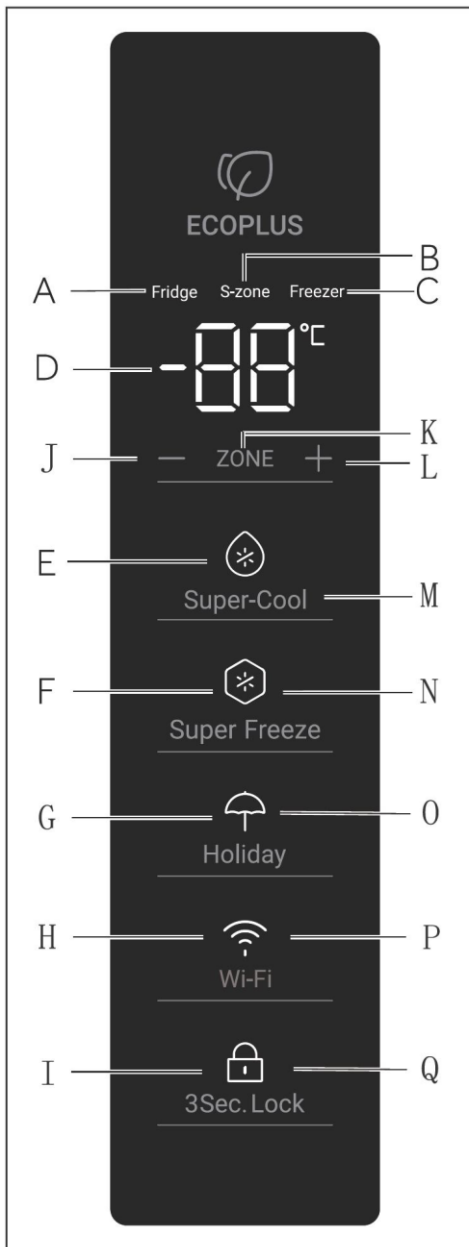
B: Freezer compartment

- 4 Air duct
- 9 Storage tray
- 10 Storage drawer
- 15 Adjustable feet

C: Switch Zone compartment

- 11 Air duct
- 12 Adjustable feet
- 13 Storage tray
- 14 Switch Zone storage drawer

Control panel (HCW58F18EWMP)



Indicator:

- A Fridge Compartment
- B Switch Zone
- C Freezer Compartment
- D Temperature display
- E Super Cool function
- F Super Freeze function
- G Holiday mode
- H Wi-Fi function
- I Panel lock

Buttons:

- J Temperature control "-"
- K Compartment selection
- L Temperature control "+"
- M Super Cool function selector
- N Super Freeze function selector
- O Holiday mode selector
- P Wi-Fi function on/off
- Q Panel lock selector

Before first use

- ▶ Remove all packaging materials, keep them out of children's reach and dispose them in an environmentally friendly manner.
- ▶ Clean the inside and outside of the appliance with water and a mild detergent before putting any food in it.
- ▶ After the appliance has been levelled and cleaned, wait for at least 2-5 hours before connecting it to the power supply. See Section INSTALLATION.
- ▶ Precool the compartments at high settings before loading with food. The function Power-Freeze helps to cool down the compartments quickly.
- ▶ The refrigerator temperature, Switch Zone temperature and freezer temperature are automatically set to 5°C, -18° C and -18° C respectively. These are the recommended settings. If desired, you can change these temperatures manually. Please see ADJUST THE TEMPERATURE.

Sensor keys

The buttons on the control panel are sensor keys, which already respond when lightly touched with the finger.

Switch on /off the appliance

The appliance is in operation as soon as it is connected to the power supply. When the refrigerator is first powered on, the indicator "D" (Temperature display) illuminates. The fridge temperature, Switch Zone temperature and freezer temperature are automatically set to 5° C, -18° C and -18° C respectively.

Maybe the panel lock is active.



Notice

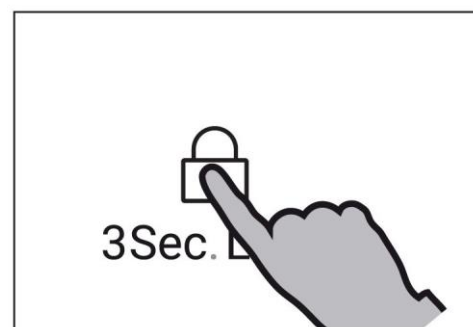
The appliance is preset to the recommended temperature of 5°C (refrigerator), -18°C, (Switch Zone) and - 18°C (freezer). Under normal ambient condition you need not to set a temperature.

When the appliance is switched on after disconnection from the main power supply, it may take up to 12 hours for the correct temperatures to be reached.

Empty the appliance before switching off. To switch off the appliance, pull the power cord out off the power socket.

Lock/unlock panel

The display screen turns off automatically 30 seconds after pressing a key. The display will be automatically locked. It lights up automatically when pressing any key or opening any door.



Notice

Fridge temperature, Switch Zone temperature, Freezer temperature, Super Cool function, Super Freeze function, Holiday mode, Wi-Fi function can't be adjusted under the lock state.

Standby-mode

The display screen turns off automatically 30 seconds after pressing a key. The display will be automatically locked. It lights up automatically by touching any key or opening the door. (Alarm does not light up the display screen).

Manual adjusting mode

If you want to manually adjust the temperature of the appliance, you can set the temperature adjust button (refer to ADJUST THE TEMPERATURE)

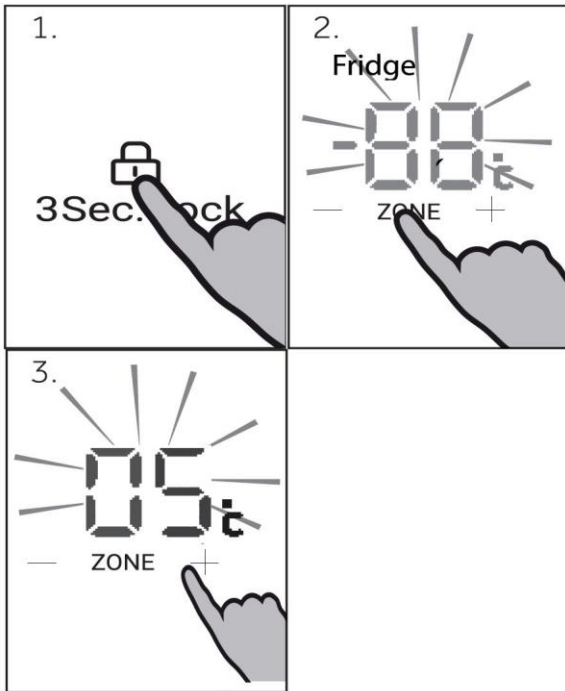
Adjust the temperature

The indoor temperatures are influenced by the following factors:

- ▶ Ambient temperature
- ▶ Frequency of door opening
- ▶ Amount of stored foods
- ▶ Installation of the appliance

Door alarm

Door alarm will trigger when door opens for long time or not closed properly, as a reminder.



Adjust the temperature for Fridge

Unlock the settings by long pressing key "Q" for 3 seconds.

Under unlock state, press key "K" (Compartment selection) to toggle across compartments. When indicator "A" (Fridge compartment indicator) lights up, press key "J" (Temperature control or key "L" (Temperature control "+") to adjust the fridge compartment temperature. Value displayed on indicator "D" decreases by 1 °C when key "J" is pressed each time.

The display flashes and turns solid with the set temperature, then goes off after a few seconds. Accordingly, value displayed on indicator "D" increases by 1 °C when key "L" is pressed each time. The display flashes and turns solid with the set temperature, then goes off after a few seconds. Fridge compartment temperature can be adjusted from 1 °C to 9°C with 1°C incremental.

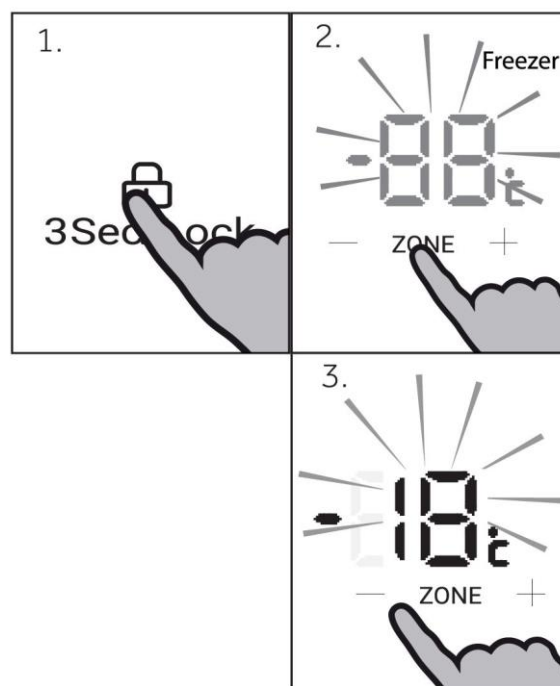
i Notice

Fridge temperature can't be adjusted under Super Cool, Holiday and lock state.

Adjust the temperature for Freezer

Unlock the settings by long pressing key "Q" for 3 seconds.

Under unlock state, press key "K" (Compartment selection) to toggle across compartments. When indicator "C" (Freezer Compartment indicator) lights up, press key "J" (Temperature control "-") or key "L" (Temperature control "+") to adjust Freezer compartment temperature. Value displayed on indicator "D" decreases by 1 °C when key "J" is pressed each time. The display flahes and turns solid with the set temperature, then goes off after a few seconds. Accordingly, value displayed on indicator "D" increases by 1 °C when key "L" is pressed each time. The display flahes and turns solid with the set temperature, then goes off after a few seconds. Freezer compartment temperature can be adjusted from -14°C to -24 °C with 1 °C incremental.



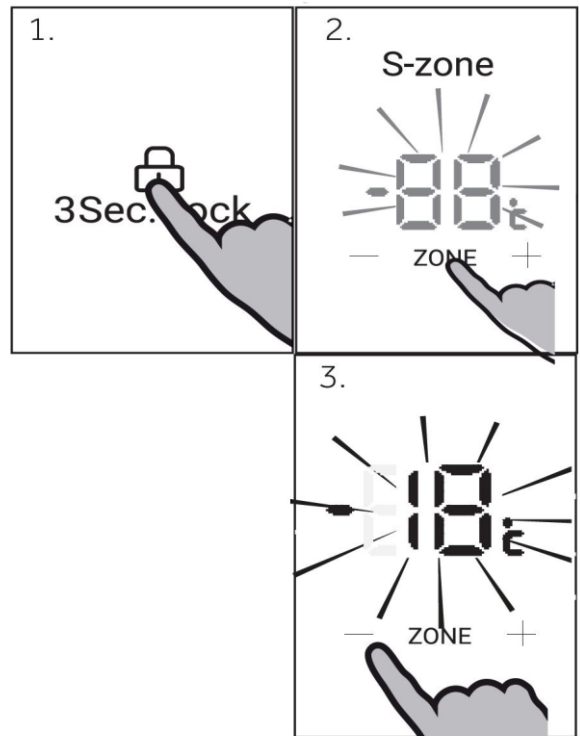
Notice

Freezer temperature can't be adjusted under Super Freeze and lock state.

Adjust Switch Zone temperature

Unlock the settings by long pressing key "Q" for 3 seconds.

Under unlock state, press key "K" (Compartment selection) to toggle across compartments. When indicator "B" (Switch Zone indicator) lights up, press key "J" (Temperature control "-") or key "L" (Temperature control "+") to adjust Switch Zone compartment temperature. Value displayed on indicator "D" decreases by 1 °C when key "J" is pressed each time. The display flashes and turns solid with the set temperature, then goes off after a few seconds. Accordingly, value displayed on indicator "D" increases by 1 °C when key "L" is pressed each time. The display flashes and turns solid with the set temperature, then goes off after a few seconds. Switch Zone compartment temperature can be adjusted from 5 °C to -18 °C with 1 °C incremental.



Notice

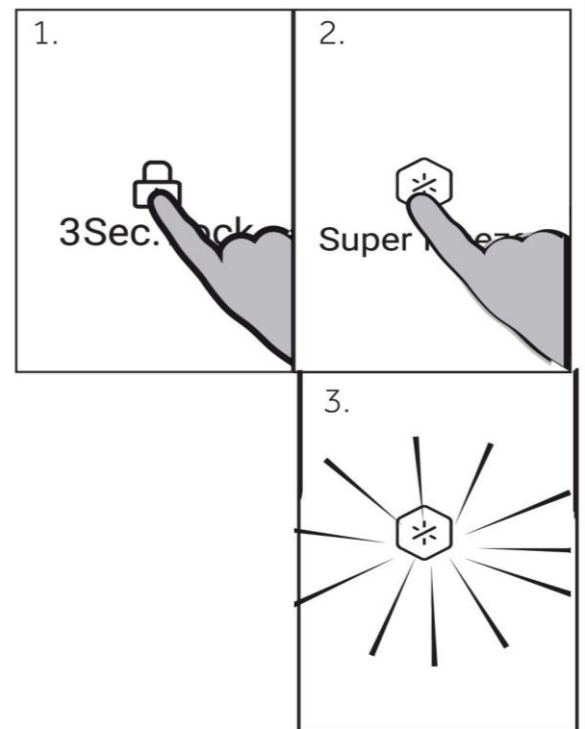
Switch Zone temperature can't be adjusted under lock state.

Super Freeze function

Super Freeze function can freeze the fresh food as soon as possible to the core by accelerating the freezing to preserve the best nutritional value, appearance and taste of food. If you need to freeze a large amount of food once, it is recommended to set the Super Freeze function on ahead for 24 hours before the usage of freezer compartment.

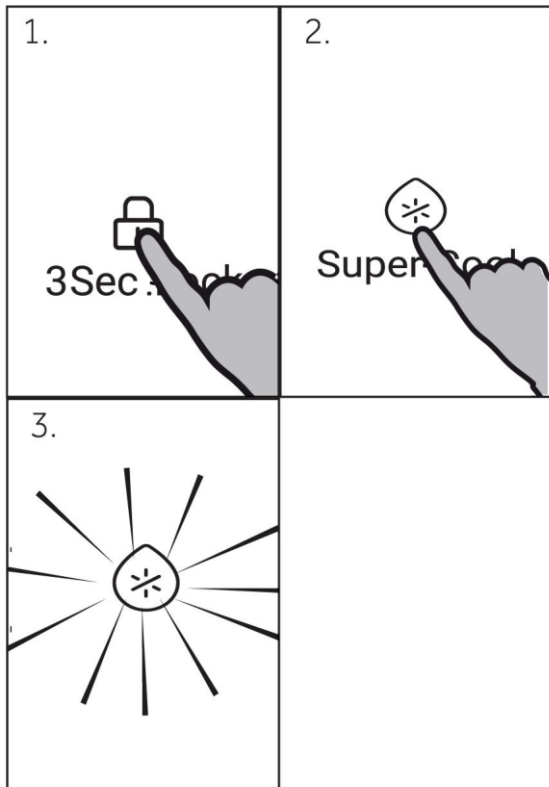
Unlock the settings by long pressing key "Q" for 3 seconds.

Under unlock state, press key "N" (Super Freeze function selector), indicator "F" (Super Freeze function indicator) lights up, product enters Super Freeze mode. Product automatically exits Super Freeze mode after 50 hours of activation. For manually exiting Super Freeze mode, press key "N" (Super Freeze function selector) under unlock state, indicator "F" (Super Freeze function indicator) goes off, product exits Super Freeze mode.



Notice

Under Super Freeze mode, key "J" (Temperature control "-") & key "L" (Temperature control "+") are locked when freezer compartment is selected and freezer compartment temperature cannot be adjusted.



Super Cool function

After putting food into fridge compartment, if you want to cool it down quickly, you can enable the Super Cool function.

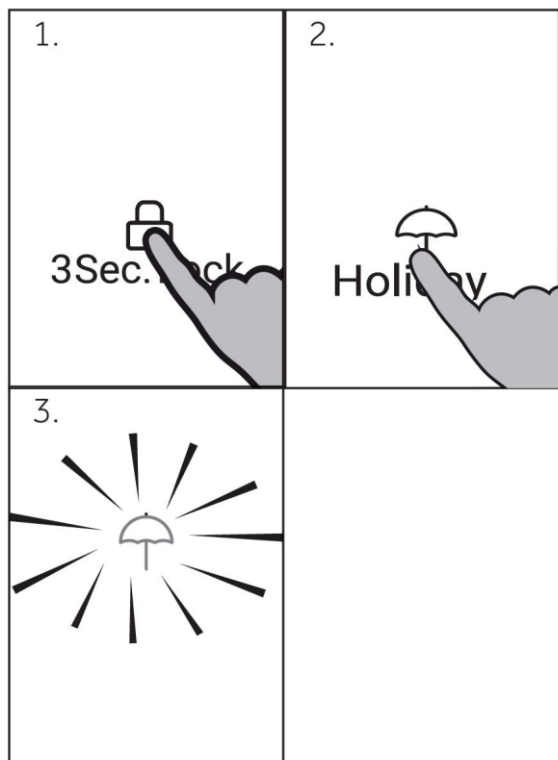
Unlock the settings by long pressing key "Q" for 3 seconds.

Under unlock state, press key "M" (Super Cool function selector), indicator "E" (Super Cool function indicator) lights up, product enters Super Cool mode. Product automatically exits Super Cool mode after 6 hours of activation. For manually exiting Super Cool mode, press key "M" (Super Cool function selector) under unlock state, indicator "E" (Super Cool function indicator) goes off, product exits Super Cool mode.



Notice

Super Cool function deactivates automatically when Holiday mode is selected. Under Super Cool mode, key T (Temperature control "-") & key "L" (Temperature control "+") are locked when fridge compartment is selected and fridge compartment temperature cannot be adjusted.



Holiday Mode

Under Holiday mode, fridge compartment automatically sets to 17° C (for energy saving), while Switch Zone and freezer compartment operate at normal temperature settings.

Unlock the settings by long pressing key "Q" for 3 seconds.

Under unlock state, press key "O" (Holiday mode selector), indicator "G" (Holiday mode indicator) lights up, product enters Holiday mode; to exit, press key "O" (Holiday mode selector), indicator "G" goes off, and the product exits Holiday mode.




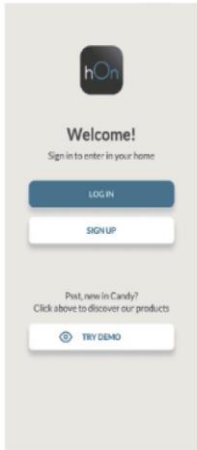

Notice

Holiday mode exits automatically when Super Cool function is activated.

Under Holiday mode, key "J" (Temperature control "-") & key "L" (Temperature control "+") are locked when fridge compartment is selected and fridge compartment temperature cannot be adjusted.

Wi-Fi mode setting

IN APP PAIRING PROCEDURE

<p>Step 1 • Download the hOn app on the stores</p> 	
<p>Step 2 Create your account on the hOn App or log in if you already have an account</p> 	<p>Step 3 Follow pairing instructions in the hOn App</p> 

Wi-Fi Function

If the Wi-Fi has not been configured yet, when the refrigerator turns on for the first time, it will automatically enter the configuration mode and keep this status for 30 minutes.

The Wi-Fi icon "H" blinks quickly and product enrollment can start.

1. Follow in app instructions to configure the Wi-Fi.
2. Once the Wi-Fi is configured and the connection established, the Wi-Fi icon "H" is on and fixed.
3. After 30 minutes without performing any operation, the Wi-Fi will automatically exit the configuration mode.
4. If the Wi-Fi has already been configured, it will automatically reconnect reconnect according to the configuration information if turns on the Wi-Fi.



Notice

1. This product is not intended for commercial use.
2. Transmitter working frequency: 2400 MHz~2483.5MHz
3. Transmitter maximum output power: 20dBm



Notice

1. To turn off the Wi-Fi, press Wi-Fi key "P" and the Wi-Fi icon "H" turns off.
2. To turn on the Wi-Fi and start the configuration, press Wi-Fi key "P" and the Wi-Fi icon "H" starts blinkly slowly. If want to turn off the Wi-Fi function, press key "P" once. If want to configure Wi-Fi function, press the key "P" for 3 sec but less than 20s, and an acoustic signal is made, the Wi-Fi icon blinks quickly and enters the configuration mode. The above steps are repeated.
3. if the product has been configured and the Wi-Fi function was turn off, the refrigerator will not enter the configuration mode once it is reconnected to the power.
4. Once the Wi-Fi is configured and the connection established, the Wi-Fi icon "H" is on and fixed.

Door alarm

Door alarm will trigger when door opens for long time or not closed properly, as a reminder.

REFRIGERATOR DOOR FOR LEFT

REFRIGERATOR DOOR FOR RIGHT

FREEZER DOOR

SWITCH ZONE DOOR

Water dispenser

With the water dispenser cool drinking water can be tapped.

The water tank should be cleaned before first use (see CARE AND CLEANING).

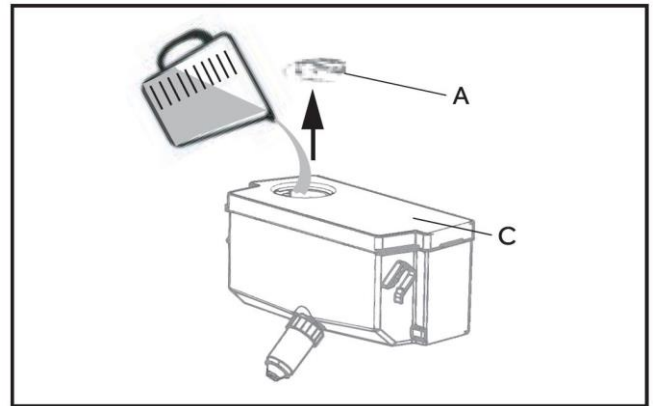
Filling the water tank



WARNING!

Fill with potable water only.

1. Ensure that the water is properly inserted (see EQUIPMENT)
2. Rotate and lift the round lid (A) and fill the water tank up with fresh drinking water.
3. Fill water only up to the mark (2.5l), as it could overflow when the door opens and closes.
4. Close the round lid (A) until it clicks into place.

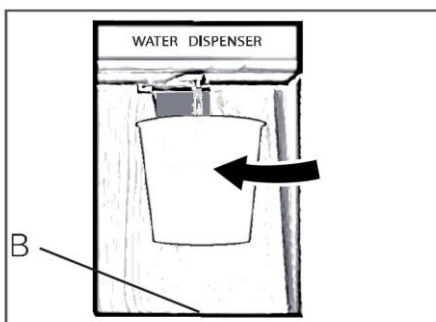


Notice: Water dispenser

Before refilling dispose residual water and clean the tank.

When you don't need water for a long time, please empty the water tank and insert the cleaned tank.

The cover (C) on the water tank is additionally used to save energy. If you do not want to get water from the water dispenser for a long period, please still install the cover because of better insulating and saving energy.



Getting water from the dispenser

1. Place a glass underneath the water outlet.
2. Push it gently against the water dispenser lever. Make sure the glass is in line with the dispenser to prevent the water from splashing out.
3. Water in the tray (B) should be removed in time, as it could overflow when the door opens and closes.

Tips on storing fresh food

Storing into the refrigerator compartment

- ▶ Keep your fridge temperature below 5°C.
- ▶ Hot food must be cooled to room temperature before storing in the appliance.
- ▶ Foods stored in the refrigerator should be washed and dried before storing
- ▶ Food to be stored should be properly sealed to avoid odour or taste alterations.
- ▶ Do not store excessive quantities of food. Leave spaces between foods to allow cold air flowing around them, for a better and more homogeneous cooling.
- ▶ Foods eaten daily should be stored at the front of the shelf.
- ▶ Leave a gap between foods and the inner walls, allowing air flowing. In special way don't store foods against the rear wall: foods could freeze against rear wall. Avoid direct contact of food (especially oily or acidic food) with the inner liner, as oil/acid can erode the inner liner. Clean away oily/acid dirt whenever it is found.
- ▶ Defreeze frozen food in the fridge storage compartment. This way, you can use the frozen food to decrease the temperature in the compartment and save energy.
- ▶ The ageing process of fruit and vegetables such as courgettes, melons, papaya, banana, pineapple, etc. can be accelerated in the refrigerator. Therefore, it is not advisable to store them in the refrigerator. However, the ripening of strongly green fruits can be promoted for a certain period. Onions, garlic, ginger and other root vegetables should also be stored at room temperature.
- ▶ Unpleasant odours inside the fridge are a sign that something has spilled and cleaning is required. See CARE AND CLEANING.
- ▶ Different foods should be placed in different areas according to their properties:



Notice

Please keep the distance more than 10 mm between the food placed and air duct or sensors to ensure the cooling effect.



- 1 Butter, cheese, etc.
- 2 Eggs, cans, canned food, spices, etc.
- 3 Drinks and bottled foods.
- 4 Pickled foods, canned food, etc.
- 5 Meat products, snack foods, pasta, canned food, milk, tofu, dairy etc.
- 6 Cooked meat, sausages, etc.
- 7 Humidity zone drawer: Fruit, vegetables, salad, etc.
- 8 Humidity zone drawer: Fruit, vegetables, salad, etc.

Storage into the Switch Zone compartment

Switch Zone compartment allows you to adjust the temperature between -18°C to 5°C according to the demand of food storage and provide you with further flexibility in storage options for your convenience.

-18°C	For general frozen food items that require storage between 1-12 months.	Meat, poultry, seafood, pre-cooked foods and leftovers, some fruits and vegetable, ice cream, and other frozen desserts.
-7°C	Allows easy portioning of food and the ability to heat, cook or serve foods straight from the compartment without waiting for it to thaw.	Meats, seafood, soups, sauces, pureed foods, bread, desserts and pastries. Note: Recommended for storage of creamy desserts such as ice cream.
0°C	Providing the perfect storage zone for highly perishable food to ensure they retain their vital freshness and quality.	Highly perishable meats, poultry and seafood. Alcoholic beverages such as beer.
5°C	The ideal mode for fresh foods such as fruit and vegetables, dairy products, meats and drinks.	Fruit and vegetables, dairy products, jams and chutneys/preserves, meats and drinks.

Storage into the freezer compartment

- ▶ Keep the freezer temperature at -18°C.
- ▶ 24 hours before freezing switch on the Super-freeze function; -for small quantities of food 4-6 hours are sufficient.
- ▶ Hot food must be cooled to room temperature before storing in the freezer compartment.
- ▶ Food cut into small portions will freeze faster and be easier to defrost and cook. The recommended weight for each portion is less than 2.5 kg
- ▶ It is better to pack food before putting it into the freezer. The outside of the packaging must be dry to avoid bags sticking together. Packaging materials should be odour-free, airtight, non-poisonous and nontoxic.
- ▶ In order to avoid expiration of storage periods, please note the freezing date, time limit and name of the food on the packaging according to the storage periods of different foods.
- ▶ **WARNING!:** Acid, alkali and salt etc. could erode the internal surface of the freezer. Do not place the food having these substances (e.g. sea fish) directly on the internal surface. Salt water in the freezer should be cleaned up immediately.
- ▶ Do not exceed the food storage times recommended by the manufacturers. Only take the required amount of food out of the freezer.
- ▶ Consume defrosted food quickly. Defrosted food cannot be re-frozen unless it is first cooked, otherwise it may be less edible.
- ▶ Do not load excessive quantities of fresh food in the freezer compartment. Refer to the freezing capacity of the freezer - See TECHNICAL DATA or data at the type plate.
- ▶ Food can be stored in the freezer at a temperature of at least -18°C for 2 to 12 months, depending on its properties (e.g., meat: 3-12 months, vegetables: 6-12 months)
- ▶ When freezing fresh food, avoid bringing it in contact with already frozen food. Risk of thawing!

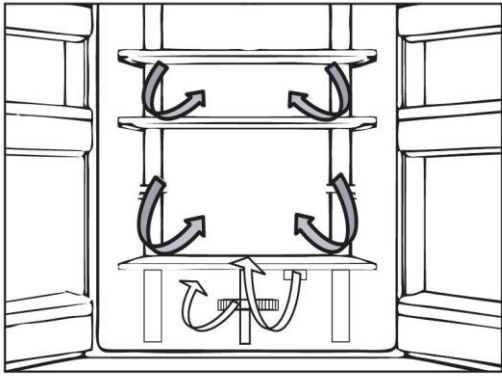
When storing commercially frozen foods, please follow these guidelines:

- ▶ Always follow manufacturers' guidelines for the length of time you should store food for. Do not exceed these guidelines!
- ▶ Try to keep the length of time between purchase and storage as short as possible to preserve food quality.
- ▶ Buy frozen foods, which have been stored at a temperature of -18 °C or below.
- ▶ Avoid buying food which has ice or frost on the packaging - This indicates that the products might have been partially defrosted and refrozen at some point - temperature rises affect the quality of food.



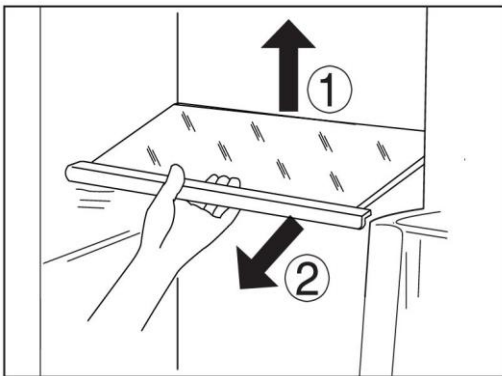
Notice

- ▶ Please keep the distance more than 10 mm between the food placed and air duct to ensure the cooling effect.



Multi-air-flow

The refrigerator is equipped with a multi-air-flow system, with which cool air flows are located on every shelf level. This helps to maintain a uniform temperature to ensure that your food is kept fresher for longer.



Adjustable shelves

The height of the shelves can be adjusted to fit your storage needs.

1. To relocate a shelf, remove it first by uplifting its hind edge (1) and pulling it out (2).
2. To reinstall it, put it on the lugs on both sides and push it to the most rearward position until the rear of the shelf is fixed inside the slots in the sides

i Notice:

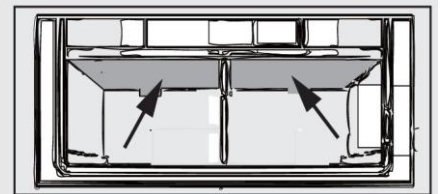
Ensure that all ends of a shelf are level.

Humidity zone drawer

In this compartment the humidity level is around 85%. It is controlled automatically by the system and is suitable to store fruits, vegetables, salads etc.

i Notice:

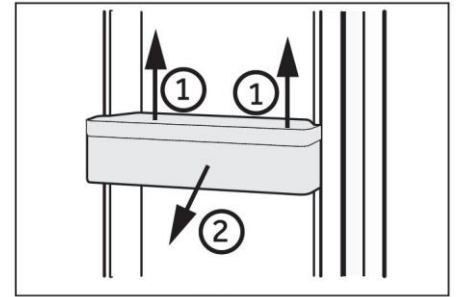
- ▶ Do not remove the plastic cover inside the two zones. They maintain the humidity.
- ▶ Cold-sensitive fruits like pineapple, avocado, bananas, grapefruits and vegetables such as potatoes, aubergines, beans, cucumbers, zucchini and tomatoes and cheese should not be stored in these two drawers.



Removable door shelves

The door racks can be removed for cleaning:
Place hands on each side of the rack, lift it upwards (1) and pull it out (2).

In order to insert the door rack, the above steps are carried out in reverse order.

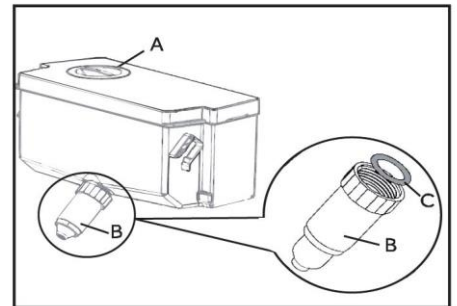


Removable water tank

The water tank can be removed and reinstalled for cleaning in the same way as the door shelves.

Insert water tank

Place the water tank in the position that the water outlet (B) fits into the opening the door. Make sure that the water tank is locked.



Notice: Water tank

Make sure the spout is firmly screwed to the water tank and the white O-ring (C) is in position.

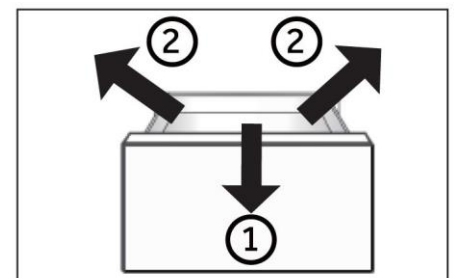
If the water tank is not properly inserted, water can drip from the connection.

Do not use excessive force when removing or installing the water tank, to avoid damaging the tank.

Removable freezer drawer

To remove the drawer out, pull out to the maximum extent (1), lift and remove (2).

In order to insert the drawer, the above steps are carried out in reverse order.



OPTIONAL: OK-temperature indicator

The OK-temperature indicator can be used to determine temperatures below +4°C. Gradually reduce the temperature if the sign does not indicate "OK".



The Light

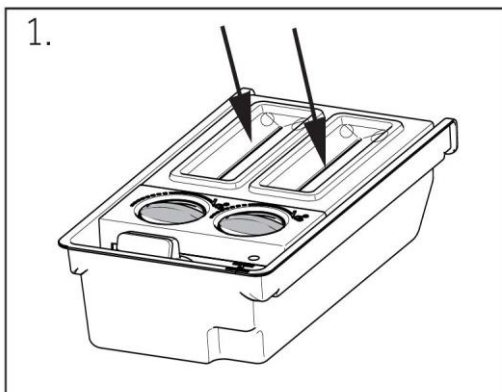
The LED interior light comes on when the door is opened and it will automatically go off if the door is left open for more than 7 minutes. The performance of the lights is not affected by any of the appliances other settings.



Energy saving tips

- ▶ Make sure the appliance is properly ventilated (see INSTALLATION).
- ▶ Do not install the appliance in direct sunlight or in the near of heat sources (e.g. stoves, heaters).
- ▶ Avoid unnecessarily low temperature in the appliance. The energy consumption increases the lower the temperature in the appliance is set.
- ▶ Functions like Super- Freeze consume more energy.
- ▶ Allow warm food to cool down before placing it in the appliance.
- ▶ Open the appliance door as little and as briefly as possible.
- ▶ Do not overfill the appliance to avoid obstructing the air flow.
- ▶ Avoid air within the food packaging.
- ▶ Keep door seals clean so that the door always closes correctly.
- ▶ Defreeze frozen food in the fridge storage compartment.
- ▶ The most energy-saving configuration requires the appliance keep drawers, food box and shelves on factory-fresh condition, and food should be places as far as possible without blocking the air outlet of the duct.

Ice cube make

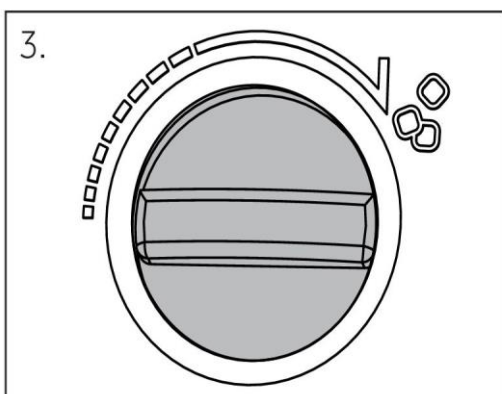


1. Pour fresh drinking water into each ice-making box as per the scale mark inside the measuring cup, do not exceed the scale mark



Notice:

Do not bring water between the 2 buttons, otherwise the buttons maybe frozen and the ice cubes cannot drop into the storage box.



2. Put the box into the freezing compartment.
3. After water becomes ice, take off the ice maker out of the appliance and rotate the button by hand. Then, ice blocks will fall into the ice box automatically. Remove the cover and fetch the ice cubs.



WARNING!

Disconnect the appliance from the power supply before cleaning.

Cleaning

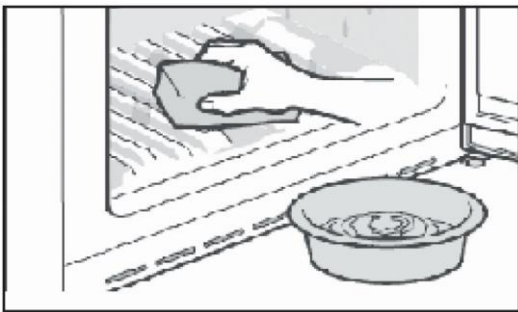
Clean the appliance when only little or no food is stored.

The appliance should be cleaned every four weeks for good maintenance and to prevent bad stored food odors.



WARNING!

- ▶ Do not clean the appliance with hard brushes, wire brushes, detergent powder, petrol, amyl acetate, acetone and similar organic solutions, acid or alkaline solutions. Please clean with special refrigerator detergent to avoid damage.
- ▶ Do not spray or flush the appliance during cleaning.
- ▶ Do not use water spray or steam to clean the appliance.
- ▶ Do not clean the cold glass shelves with hot water. Sudden temperature change may cause the glass to break.
- ▶ Do not touch the inside surface of the freezer storage compartment, especially with wet hands, as your hands may freeze onto the surface.
- ▶ In case of heating check the condition of frozen goods.

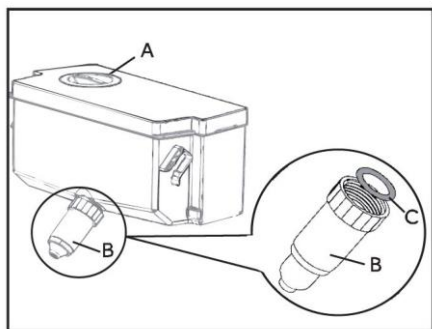


- ▶ Always keep the door gasket clean.
 - ▶ Clean the inside and housing of the appliance with a sponge dampened in warm water and neutral detergent.
1. Please scrub the interior and exterior of the refrigerator, including door sealing, door rack, glass shelves, boxes and so on, with a soft towel or sponge dipped in warm water (you may add neutral detergent into the warm water).
 2. If there is liquid spilled, remove all the contaminated parts, directly rinse with the flow water, dry and place it back into the fridge.
 3. If there is spilled cream (such as the cream, melting ice cream), please remove all the contaminated parts, put into the warm water with about 40 °C for some time, then rinse with the flow water, dry and place it back into the fridge.
 4. In case some small part or component gets stuck inside of the fridge (between shelves or drawers), use small soft brush to release it. If you could not reach the part, please contact Haier service
 - ▶ Rinse and dry with soft cloth.
 - ▶ Do not clean any of the parts of the appliance in a dishwasher.
 - ▶ Allow at least 5 minutes before restarting the appliance as frequent starting may damage the compressor.

Defrosting

The defrosting of the fridge and the freezer compartment are done automatically; no manual operation is needed.

Cleaning the water tank



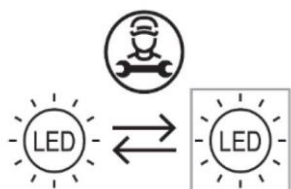
1. Take the water tank out of the appliance
2. Remove the cover (A).
3. Unscrew the dispenser spout (B).
4. Clean the tank and dispenser spout with warm water and liquid dishwashing detergent. Make sure all soap is rinsed off.
5. Mount the dispenser out (B) and take care that it is firmly screwed to the water tank and the white O-ring (C) is in position.
6. Close the cover (A) and replace the tank inside the appliance.



Notice: Water tank

If the water tank is not properly inserted, water can drip from the connection. Do not use excessive force when removing or installing the water tank, to avoid damaging.

Replacing the LED-lamps



Replaceable (LED only) light source by a professional

This product contains a light source of energy efficiency class G

compartment	Voltage	max Power	Energy efficiency class	Model
Refrigerator	DC 12V	5 W	G	HCW58F18EWMP

Non-use for a longer period

If the appliance is not used for an extended period of time, and you will not use only the Holiday-function or the fridge off function for the refrigerator:

- ▶ Take out the food.
- ▶ Unplug the power cord.
- ▶ Empty and clean the water tank
- ▶ Clean the appliance as described above.
- ▶ Keep the doors open to prevent the creation of bad odours inside.



Notice

Turn the appliance off only if strictly necessary.

Moving the appliance

1. Remove all food and unplug the appliance.
2. Secure shelves and other moveable parts in the fridge and the freezer with adhesive tape.
3. Do not tilt the refrigerator more than 45° to avoid damaging the refrigerating system.

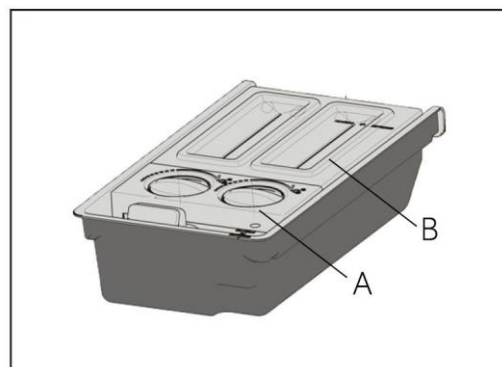


WARNING!

- ▶ Do not lift the appliance by its handles.
- ▶ Never place the appliance horizontally on the ground.

Cleaning the ice cube maker

1. Take off the ice cube maker out of the appliance.
2. Remove cover (A) and (B).
3. Clean the ice cube maker with warm water and liquid dishwashing detergent. Make sure all soap is rinsed off.
4. Close the covers, refill with drinking water and replace the ice cube maker inside the appliance.



Many occurring problems could be solved by yourself without specific expertise. In case of a problem please check all shown possibilities and follow below instructions before you contact an after sales service. See CUSTOMER SERVICE.



WARNING!

- ▶ Before maintenance, deactivate the appliance and disconnect the mains plug from the mains socket.
- ▶ Electrical equipment should be serviced only by qualified electrical experts, because improper repairs can cause considerable consequential damages.
- ▶ A damaged supply should only be replaced by the manufacturer, its service agent or similarly qualified persons in order to avoid a hazard.

Problem	Possible Cause	Possible Solution
The compressor does not work.	<ul style="list-style-type: none"> • Mains plug is not connected in the mains socket. • The appliance is in the defrosting cycle 	<ul style="list-style-type: none"> • Connect the mains plug. • This is normal for an automatic defrosting
The appliance runs frequently or runs for a too long period of time.	<ul style="list-style-type: none"> • The indoor or outdoor temperature is too high. • The appliance has been off power for a period of time. • A door of the appliance is not tightly closed. • The door has been opened too frequently or for too long. • The temperature setting for the freezer compartment is too low. • The door gasket is dirty, worn, cracked or mismatched. • The required air circulation is not guaranteed. 	<ul style="list-style-type: none"> • In this case, it is normal for the appliance to run longer. • Normally, it takes 8 to 12 hours for the appliance to cool down completely. • Close the door/drawer and ensure the appliance is located on a level ground and there is no food or container jarring the door. • Do not open the door/drawer too frequently. • Set the temperature higher until a satisfactory refrigerator temperature is obtained. It takes 24 hours for the refrigerator temperature to become stable. • Clean the door/drawer gasket or replace them by the customer service. • Ensure adequate ventilation.
The inside of the refrigerator is dirty and/ or smells.	<ul style="list-style-type: none"> • The inside of the refrigerator needs cleaning. • Food of strong odour is stored in the refrigerator. 	<ul style="list-style-type: none"> • Clean the inside of the refrigerator. • Wrap the food thoroughly..

Problem	Possible Cause	Possible Solution
It is not cold enough inside the appliance.	<ul style="list-style-type: none"> • The temperature is set too high. • Too warm goods has been stored. • Too much food has been stored at one time. • The goods are too close to each other. • A door/drawer of the appliance is not tightly closed. • The door/drawer has been opened too frequently or for too long. 	<ul style="list-style-type: none"> • Reset the temperature. • Always cool down goods before storing them. • Always store small quantities of food. • Leave a gap between several foods allowing air flowing. • Close the door/drawer. • Do not open the door/drawer too frequently.
It is too cold inside the appliance.	<ul style="list-style-type: none"> • The temperature is set too low. • The Super-Frz/Super-Coolfunction is activated or is running too long. 	<ul style="list-style-type: none"> • Reset the temperature. • Switch off the Super-Frz/Super-Cool function
Moisture formation on the inside of the refrigerator compartment.	<ul style="list-style-type: none"> • The climate is too warm and too damp. • A door/drawer of the appliance is not tightly closed. • The door/drawer has been opened too frequently or for too long. • Food containers or liquids are left open. 	<ul style="list-style-type: none"> • Increase the temperature. • Close the door/drawer. • Do not open the door/drawer too frequently. • Let hot foods cool to room temperature and cover foods and liquids.
Moisture accumulates on the refrigerators outside surface or between the doors/door and drawer.	<ul style="list-style-type: none"> • The climate is too warm and too damp. • The door is not closed tightly. The cold air in the appliance and the warm air outside it condensates. 	<ul style="list-style-type: none"> • This is normal in damp climate and will change when the humidity decreases. • Ensure that the door/drawer is tightly shut.
Strong ice and frost in the freezer compartment.	<ul style="list-style-type: none"> • The goods were not adequately packaged. • A door/drawer of the appliance is not tightly closed. • The door/drawer has been opened too frequently or for too long. • The door/drawer gasket is dirty, worn, cracked or mismatched. • Something on the inside prevents the door/drawer to close properly. 	<ul style="list-style-type: none"> • Always pack the goods well. • Close the door/drawer. • Do not open the door/drawer too frequently. • Clean the door/drawer gasket or replace them by new ones. • Reposition the shelves, door racks, or internal containers to allow the door/drawer to close.

Problem	Possible Cause	Possible Solution
The sides of the cabinet and door strip get warm.	• -	• This is normal.
The appliance makes abnormal sounds.	<ul style="list-style-type: none"> • The appliance is not located on level ground. • The appliance touches some object around it. 	<ul style="list-style-type: none"> • Adjust the feet to level the appliance. • Remove objects around the appliance.
A slight sound is to be heard similar to that of flowing water.	• -	• This is normal.
You will hear an alarm beep.	• The fridge storage compartment door is open.	• Close the door.
You will hear a faint hum.	• The anti-condensation system is working	• This prevents condensation and is normal
The interior lighting or cooling system does not work.	<ul style="list-style-type: none"> • Mains plug is not connected in the mains socket. • The power supply is not intact. • The LED-lamp is out of order. 	<ul style="list-style-type: none"> • Connect the mains plug. • Check the electrical supply to the room. Call the local electricity company! • Please call the service for changing the lamp.

To contact the technical assistance, visit our website: <https://corporate.haier-europe.com/en/>

Under the section "website", choose the brand of your product and your country. You will be redirected to the specific website where you can find the telephone number and form to contact the technical assistance.

Power interruption

In the event of a power cut, food should remain safely cold for about 5 hours. Follow these tips during a prolonged power interruption, especially in summer:

- ▶ Open the door/drawer as few times as possible.
- ▶ Do not put additional food into the appliance during a power interruption.
- ▶ If prior notice of a power interruption is given and the interruption duration is longer than 5 hours, make some ice and put it in a container in the top of the refrigerator compartment.
- ▶ An inspection of the goods is required immediately after the interruption.
- ▶ As temperature in the refrigerator will rise during a power interruption or other failure, the storage period and edible quality of food will be reduced. Any food that defrosts should be either consumed, or cooked and refrozen (where suitable) soon afterwards in order to prevent health risks.

Memory function during power interruption

After restoration of power the appliance continues with the settings that were set before the power failure.

Unpacking



WARNING!

- ▶ The appliance is heavy. Always handle with at least two persons.
- ▶ Keep all packaging materials out of children's reach and dispose them in an environmentally friendly manner.
- ▶ Take the appliance out of the packaging.
- ▶ Remove all packaging materials.

Environmental conditions

The room temperature should always be between 10° C and 43° C, since it can influence the temperature inside the appliance and its energy consumption. Do not install the appliance near other heat-emitting appliances (ovens, refrigerators) without isolation.

Space requirement

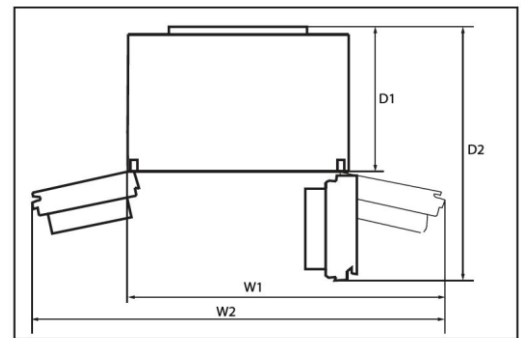
Required space when door is opened:

W1=1076 mm

W2=1360 mm

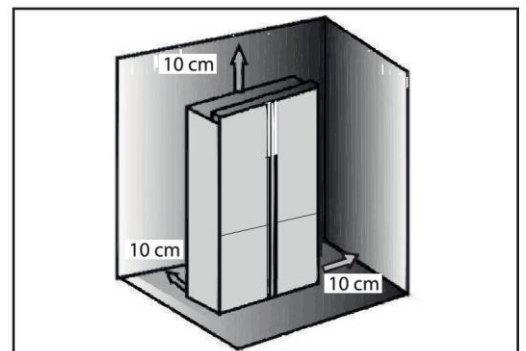
D1=628 mm

D2=1064mm



Ventilation cross-section

To achieve sufficient ventilation of the appliance for safety reasons, the information of the required ventilation cross sections must be observed.

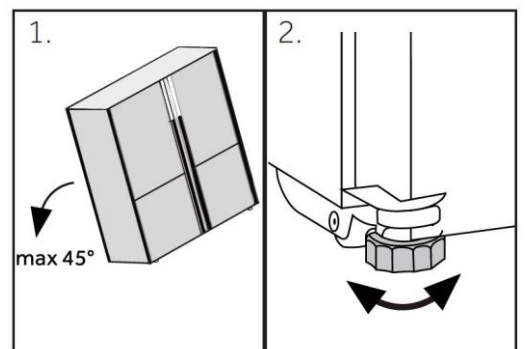


Aligning the appliance

The appliance should be placed on a flat and solid surface.

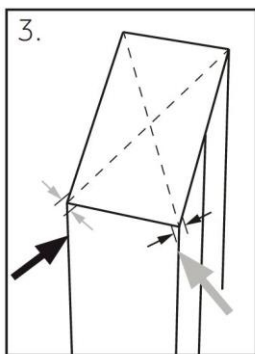
1. Tilt the refrigerator slightly backwards.
2. Set the feet to the desired level.

Make sure the distance to the wall on the hinge side is at least 10 cm for the door to open properly.

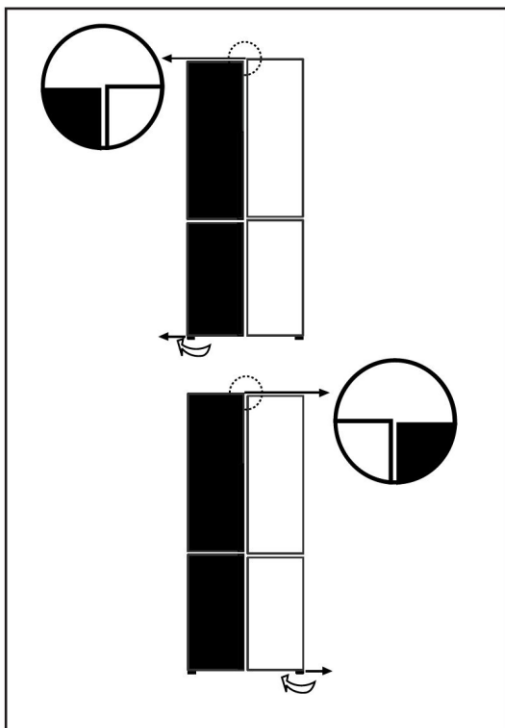


Notice:

For a free standing appliance: this refrigerating appliance is not intended to be used as a built-in appliance



1. The stability can be checked by alternately bumping on the diagonals. The slightly swaying should be the same in both directions. Otherwise the frame can warp; possible leaking door seals are the result. A low tendency to the rear facilitates the closing of the doors.



Fine tuning of the doors

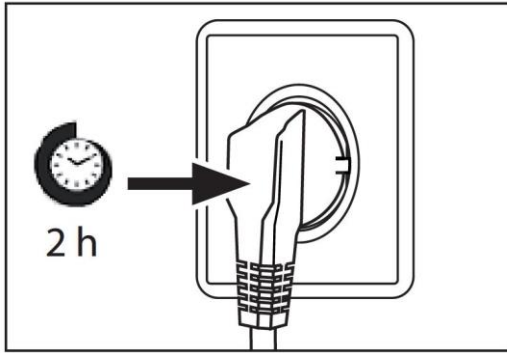
If the doors are not in one level, this mismatch can be remedied by following:

Using adjustable foot

Rotate the adjustable foot according to the direction of arrow to turn up or down the foot.
Contact after-sale service if needed.

i Notice:

In the future use of refrigerator, doors uneven phenomenon may occur to the weight of stored food. Then please adjust according to the above methods.



Waiting time

To the maintenance-free lubrication oil is located in the capsule of the compressor. This oil can get through the closed pipe system during slanting transport. Before connecting the appliance to the power supply you have to wait at least 2 hours so that the oil runs back into the capsule.

Electrical connection

Before each connection check if:

- ▶ power supply, socket and fusing are appropriate to the rating plate.
- ▶ the power socket is earthed and no multi-plug or extension.
- ▶ the power plug and socket are strictly according.


Connect the plug to a properly installed household socket.



WARNING!

To avoid risks a damaged power cord must be replaced by the customer service (see warranty card).

Product fiche according to regulation EU No. 2019/2016

Brand	Haier
Model name / identifier	HCW58F18EWMP
Category of the model	Refrigerator-freezer
Energy efficiency class	E
Annual energy consumption (kWh/year)(1)	297
Total volume(L)	507
Volume refrigerator(L)	321
Volume freezer(L)	87
Volume variable temperature compartment(L)	99
Star rating	
Temperature of other compartments >14°C	Non applicable
Frost-free system	Yes
Freezing capacity(kg/24h)	6
Climate rating(2)	SN-N-ST
Noise emission class and airborne acoustical noise emissions (db(A) re 1pW)	C(38)
Temperature rise time (h)	9
Type of appliance	freestanding
Others	-

Explanations:

- Yes, featured

(1) Based on the results of the standards conformance test over 24 hours. The actual consumption depends on the use and the location of the appliance.

(2) Climate rating SN: This appliance is intended for use in an ambient temperature of between + 10°C and +32°C

Climate rating N: This appliance is intended for use in an ambient temperature of between + 16°C and +32°C

Climate rating ST: This appliance is intended for use in an ambient temperature of between + 16°C and +38°C

Climate rating T: This appliance is intended for use in an ambient temperature of between + 16°C and +43°C

Additional technical data

Voltage / Frequency	220-240V ~/50Hz
Input current (A)	1.5
Main fuse (A)	16
Coolant	R600a
Dimensions (H/W/D in mm)	1775 / 830 / 705

We recommend our Haier Customer Service and the use of original spare parts.
If you have a problem with your appliance, please first check section TROUBLESHOOTING.

If you cannot find a solution there, please contact

- ▶ your local dealer or
- ▶ our European Call Service-Center (see listed phone numbers below) or
- ▶ the Service & Support area at www.haier.com where you can activate the service claim and also find FAQs.

To contact our Service, ensure that you have the following data available.
The information can be found on the rating plate.

Model _____

Serial No. _____

Also check the Warranty Card supplied with the product in case of warranty.

European Call Service-Center		
Country*	Phone number	Costs
Haier Italy (IT)	199 100 912	
Haier Spain (ES)	902 509 123	
Haier Germany (DE)	0180 5 39 39 99	<ul style="list-style-type: none"> • 14 Ct/Min Landline • max 42 Ct/Min Mobile
Haier Austria (AT)	0820 001 205	<ul style="list-style-type: none"> • 14,53 Ct/Min Landline • max 20 Ct/Min all others
Haier United Kingdom (UK)	0333 003 8122	
Haier France (FR)	0980 406 409	

* For other countries please refer to www.haier.com

Haier Europe Trading S.r.l

Branch UK

Westgate House, Westgate, Ealing

London, W5 1YY

*Duration of the guarantee of the refrigerating appliance:

Minimum guarantee is: 2 years for EU Countries, 3 years for Turkey, 1 year for UK, 1 year for Russia, 3 years for Sweden, 2 years for Serbia, 5 years for Norway, 1 year for Morocco, 6 months for Algeria, Tunisia no legal warranty required.

*The period of spare parts for the repair of the appliance:

Thermostats, temperature sensors, printed circuit boards and light sources are available for a minimum period of seven years after placing the last unit of the model on the market. Door handles, door hinges, trays and baskets for a minimum period of seven years and door gaskets for a minimum period of 10 year, after placing the last unit of the model on the market.

*For further information about the product, please consult <https://eprel.ec.europa.eu/> or scan the QR on the energy label supplied with the appliance.

2022 Version B

Haier Smart Home Co.,Ltd.
No.1 Haier Road,Haier Industry Park,Hi-Tech Zone,
266103 Qingdao,Shandong,China
MADE IN CHINA

Haier



0060535245



Uživatelská příručka

Chladnička-mraznička

HCW58F18EWMP

CS

Haier

Děkujeme vám, že jste si koupili výrobek značky Haier.

Před použitím spotřebiče si pozorně přečtěte tyto pokyny. Obsahují důležité informace, které vám pomohou co nejlépe využít spotřebič a zajistit jeho bezpečnou a správnou instalaci, používání a údržbu.

Uschovejte tuto příručku na praktickém místě, abyste do ní mohli kdykoli nahlédnout ohledně bezpečného a správného používání spotřebiče.

Pokud spotřebič prodáváte, věnujete nebo necháváte ve starém domě, předejte společně s ním také tuto příručku, aby se mohl nový vlastník seznámit se spotřebičem a přečíst si bezpečnostní varování.

Legenda



Varování – důležité bezpečnostní informace



Všeobecné informace a tipy



Informace týkající se životního prostředí

Likvidace



Pomáhejte chránit životní prostředí a lidské zdraví. Vložte obalový materiál do vhodných kontejnerů pro recyklaci. Pomáhejte recyklovat odpadní elektrické a elektronické spotřebiče. Spotřebiče označené tímto symbolem nevyhazujte do domovního odpadu. Zašlete výrobek do místního recyklačního závodu, nebo se obraťte na váš obecní úřad.



VAROVÁNÍ!

Nebezpečí poranění nebo udušení!

Chladiva a plyny vyžadují profesionální likvidaci. Zajistěte, aby se potrubí chladicího okruhu nepoškodilo, než bude náležitě zlikvidováno. Odpojte spotřebič od síťového napájení. Odstříhnete síťový kabel a zlikvidujte ho. Odstraňte police a přihrádky, stejně jako západku a těsnění dvířek, aby se zamezilo uzavření dětí a domácích zvířat uvnitř spotřebiče.

Bezpečnostní informace.....	4
Popis výrobku.....	10
Ovládací panel.....	11
Používání.....	12
Vybavení.....	26
Čištění a údržba.....	29
Řešení problémů.....	32
Instalace.....	35
Technické údaje.....	38
Zákaznický servis.....	40

Příslušenství

Zkontrolujte příslušenství a literaturu podle tohoto seznamu:



Výrobník ledu se škrabkou na led



3 rozpěrky



Energetický štítek



Záruční list



Uživatelská příručka
Nálepka „OK“
Uživatelská příručka

Poznámka: Pouze pro model HCW58F18EWMP

Před prvním zapnutím spotřebiče si přečtěte následující rady týkající se bezpečnosti!:**VAROVÁNÍ!****Před prvním použitím**

- ▶ Ujistěte se, že při přepravě nedošlo k žádnému poškození.
- ▶ Odstraňte veškerý obalový materiál a uschovejte ho mimo dosah dětí.
- ▶ Před instalací spotřebiče počkejte alespoň dvě hodiny, aby byla zaručena plná účinnost okruhu chladiwa.
- ▶ Se spotřebičem vždy manipulujte alespoň ve dvou osobách, protože je těžký.

Instalace

- ▶ Spotřebič by se měl umístit do dobře větrané místnosti. Nad spotřebičem a kolem něj zajistěte volný prostor alespoň 10 cm.
- ▶ Nikdy neumistujte spotřebič do vlhkého prostoru nebo na místo, kde by na něj mohla stříkat voda. Vodu a skvrny odstraňte a vysušte měkkou, čistou látkou.
- ▶ Neinstalujte spotřebič na přímé sluneční světlo nebo do blízkosti zdrojů tepla (např. sporáků nebo ohříváčů).
- ▶ Nainstalujte spotřebič na místo odpovídající jeho velikost a používání a vyrovnejte ho.
- ▶ **VAROVÁNÍ:** Zajistěte, aby nic nezakrývalo větrací otvory ve spotřebiči nebo v konstrukci pro vestavění.
- ▶ Ujistěte se, že parametry elektrického napájení se shodují s údaji na typovém štítku. V opačném případě kontaktujte elektrikáře.
- ▶ Spotřebič pracuje s napájením 220–240 VAC/50 Hz. Nenormální kolísání napětí může způsobit, že spotřebič se nespustí, nebo se poškodí regulátor teploty či kompresor, případně se může za chodu ozývat neobvyklý hluk. V takovém případě by se měl nainstalovat automatický regulátor.
- ▶ Nepoužívejte rozbočovací adaptéry ani prodlužovací kabely.
- ▶ **VAROVÁNÍ:** Neumistujte za spotřebič přenosné rozbočovací zásuvky ani prodlužovací kabely.
- ▶ **VAROVÁNÍ:** Při umísťování spotřebiče se ujistěte, že napájecí kabel není zachycený nebo poškozený.
- ▶ Nešlapejte na napájecí kabel.
- ▶ K napájení použijte samostatnou, snadno přístupnou uzemněnou zásuvku. Tento spotřebič musí být uzemněný.



VAROVÁNÍ!

► **Pouze pro Spojené království:** Napájecí kabel spotřebiče je vybaven trojpólovou zástrčkou (s uzemněním), která se zapojuje do standardní trojpólové zásuvky (s uzemněním). Nikdy neodřezávejte ani nede-
montujte třetí kolík (uzemnění). Zástrčka by měla být přístupná i po instalaci spotřebiče.

► **VAROVÁNÍ:** Nepoškodte okruh chladiva.

Denní používání

► Tento spotřebič mohou používat děti starší osmi let a osoby s omezenými fyzickými, smyslovými nebo duševními schopnostmi nebo osoby nezkušené a neznalé za předpokladu, že mají zajištěný dohled nebo byly poučeny o bezpečném používání spotřebiče a chápou související rizika.

► Děti si se spotřebičem nesmějí hrát.

► Děti ve věku od 3 do 8 let mohou chladničky plnit a vyprazdňovat, ale nesmějí je čistit ani instalovat.

► Zabraňte dětem mladším 3 let v přístupu ke spotřebiči, pokud nejsou pod nepřetržitým dozorem.

► Děti nesmějí provádět čištění a uživatelskou údržbu bez dozoru.

► Spotřebič musí být umístěn tak, aby byla zástrčka přístupná.

► Jestliže v blízkosti spotřebiče uniká svítiplyn nebo jiný hořlavý plyn, vypněte ventil unikajícího plynu, otevřete dveře a okna a neodpojujte napájecí kabel chladničky/mrazničky nebo jakéhokoli jiného spotřebiče od zásuvky.

► Upozorňujeme, že spotřebič je nastaven na provoz při určitém rozsahu teplot mezi 10 a 38 °C. Spotřebič nemusí řádně fungovat, pokud je po dlouhou dobu vystaven teplotám nad nebo pod indikovaným rozsahem.

► Nepokládejte na horní stranu chladničky/mrazničky nepotřebné předměty (těžké předměty, nádoby naplněné vodou), aby se předešlo zranění způsobenému pádem nebo elektrickým proudem v důsledku styku s vodou.

► Netahejte za police ve dvířkách. Dvířka by se mohla vychýlit, mohla by se vytáhnout police na láhve, nebo by se spotřebič mohl převrhnout.

► Otvírejte a zavírejte dvířka pouze pomocí madel. Mezera mezi dvířky a skříní je velmi úzká. Nevkládejte do těchto míst ruce, abyste si nepřiskřípli prsty. Dvířka chladničky/mrazničky otvírejte nebo zavírejte pouze v případě, že v dosahu jejich pohybu nestojí žádné děti.

**VAROVÁNÍ!**

- ▶ Dodržujte následující pokyny, aby nedošlo ke kontaminaci potravin:
- ▶ – Otevírání dvířek na delší dobu může významně zvýšit teplotu v jednotlivých prostorech spotřebiče.
- ▶ – Pravidelně čistěte povrchy, které mohou přijít do styku s potravinami, a přístupné vypouštěcí systémy.
- ▶ – Pokud se nádrže na vodu nepoužívaly po dobu 48 h, vyčistěte je. Pokud nebyla vypuštěna voda po dobu 5 dnů, propláchněte vodní systém připojený k přívodu vody.
- ▶ – Syrové maso a ryby skladujte uvnitř mrazáku ve vhodných nádobách, aby se nedostaly do styku s jinými potravinami, nebo z nich neodkapávala šťáva na jiné potraviny.
- ▶ – Prostory pro zmrazené potraviny označené dvěma hvězdičkami jsou vhodné k ukládání mražených potravin, ukládání nebo výrobě zmrzliny a výrobě ledových kostek.
- ▶ – Prostory označené jednou, dvěma a třemi hvězdičkami nejsou vhodné k zmrazování čerstvých potravin.
- ▶ – Pokud je chladicí spotřebič ponechán delší dobu prázdný, vypněte ho, odmrazte, vyčistěte, vysušte a nechte otevřená dvířka, aby se zamezilo vzniku plísně uvnitř spotřebiče.
- ▶ Do mrazničky nikdy neukládejte lahvové pivo nebo nápoje, tekutiny v láhvách nebo plechovkách (kromě vysokoprocenních lihovin), a zejména nápoje sycené oxidem uhličitým, protože během mrazení by praskly.
- ▶ V tomto spotřebiči neskladujte výbušné látky, jako jsou nádoby s aerosolem, v nichž se používá hořlavý hnací plyn.
- ▶ Ve spotřebiči neskladujte léky, bakterie ani chemické látky. Tento spotřebič je určen k použití v domácnosti. Nedoporučuje se skladovat materiály, které vyžadují přesně stanovené teploty.
- ▶ Pokud dojde k oteplení v mrazničce, zkontrolujte stav potravin.
- ▶ Nenastavujte zbytečně nízkou teplotu ve vnitřním prostoru chladničky. Při vysokém nastavení může teplota klesnout do záporných hodnot. Pozor: Láhve mohou prasknout
- ▶ Nedotýkejte se mražených potravin mokřýma rukama (nose rukavice). Zejména nejezte nanuky bezprostředně po vyjmutí z prostoru mrazničky. Hrozí nebezpečí přimrznutí nebo vzniku omrzlin. PRVNÍ POMOC: ihned vložte zasažené místo pod tekoucí studenou vodu. Neodtrhujte!



VAROVÁNÍ!

- ▶ Za provozu se nedotýkejte vnitřního povrchu úložného prostoru mrazničky, zejména ne mokřma rukama, protože by mohly přimrznout k povrchu.
- ▶ V případě výpadku napájení nebo před čištěním odpojte spotřebič od napájení. Před opětovným spuštěním spotřebiče počkejte alespoň 7 minut, protože časté spouštění by mohlo poškodit kompresor.
- ▶ **VAROVÁNÍ:** Uvnitř prostoru pro skladování potravin ve spotřebiči nepoužívejte elektrické spotřebiče, pokud se nejedná o spotřebiče doporučené výrobcem.

Údržba/čištění

- ▶ Jestliže jsou čištění a údržba prováděny dětmi, je nutné na ně dohlížet.
- ▶ Před zahájením jakékoli pravidelné údržby odpojte spotřebič od elektrického napájení. Před opětovným spuštěním spotřebiče počkejte alespoň 5 minut, protože časté spouštění by mohlo poškodit kompresor.
- ▶ Při odpojování spotřebiče od napájení držte zástrčku, nikoli kabel.
- ▶ Nečistěte spotřebič tvrdými kartáči, drátěnými kartáči, práškovým mycím prostředkem, benzínem, amylacetátem, acetonem, podobnými organickými roztoky a kyselými nebo zásaditými roztoky. – K čištění použijte speciální čisticí prostředek na chladničky/ mrazničky, aby se zamezilo poškození. Nakonec použijte roztok jedlé sody v teplé vodě – asi jednu polévkovou lžici jedlé sody na litr vody. Důkladně opláchněte povrch vodou a otřete ho do sucha. Nepoužívejte práškové ani jiné abrazivní čisticí prostředky. Nemyjte odnímatelné součásti v myčce.
- ▶ Neseškrabávejte námrazu a led ostrými předměty. Nepoužívejte spreje, elektrické ohřivače jako fén na vlasy, parní čističe ani jiné zdroje tepla, aby nedošlo k poškození plastových součástí.
- ▶ **VAROVÁNÍ:** K rozmrazování nepoužívejte mechanické nástroje ani jiné prostředky. Používejte pouze prostředky doporučené výrobcem.
- ▶ Pokud se poškodí napájecí kabel, výměnu musí provést výrobce, jeho servisní zástupce nebo osoba s podobnou kvalifikací, aby se vyloučilo riziko.
- ▶ Nepokoušejte se opravovat, rozebírat nebo upravovat spotřebič vlastními silami. Je-li nutná oprava, obraťte se na náš zákaznický servis.
- ▶ Pokud se poškodí osvětlovací žárovky, výměnu musí provést výrobce, jeho servisní zástupce nebo osoby s podobnou kvalifikací, aby se vyloučilo riziko.

**VAROVÁNÍ!**

- ▶ Alespoň jednou za rok odstraňte prach ze zadní strany spotřebiče, aby se předešlo nebezpečí požáru a snížila se spotřeba energie.
- ▶ Během čištění na spotřebič nestříkejte ani nelijte vodu.
- ▶ K čištění spotřebiče nepoužívejte vodní postřik ani proud vody.
- ▶ Nečistěte chladné skleněné police ani skleněná dvířka horkou vodou. Náhlá změna teploty by mohla způsobit, že sklo praskne.
- ▶ Pokud spotřebič delší dobu nepoužíváte, nechte ho otevřený, aby uvnitř nevznikl nepříjemný zápach.

Informace o plyném chladiu**VAROVÁNÍ!**

Spotřebič obsahuje hořlavé chladiivo ISOBUTAN (R600a). Ujistěte se, že během přepravy nebo instalace nedošlo k poškození okruhu chladiiva. Unikající chladiivo by mohlo způsobit zranění očí, nebo by se mohlo vznítit. Pokud dojde k poškození, nepřibližujte se s otevřeným plamenem, důkladně vyvětrejte místnost a **nezapojujte ani neodpojujte** napájecí kabely tohoto či jiných spotřebičů. Informujte zákaznický servis.

V případě zasažení očí chladiivem důkladně vypláchněte oči pod tekoucí vodou a ihned zavolejte očnímu lékaři.

VAROVÁNÍ: Systém chlazení je pod vysokým tlakem. Nemanipulujte s ním. Vzhledem k používání hořlavých chladiiv je nutné přísně dodržovat pokyny pro instalaci, manipulaci a údržbu spotřebiče a pokud chcete spotřebič zlikvidovat, obraťte se na odborného pracovníka nebo náš poprodejní servis.

**VAROVÁNÍ!**

V případě chladniček s funkcí ledové vody věnujte pozornost následujícímu varování:

Pro spotřebiče, které nejsou určeny k připojení k přívodu vody:

VAROVÁNÍ: plňte pouze pitnou vodou.

Pro spotřebiče určené k připojení k přívodu vody:

VAROVÁNÍ: připojujte pouze přívod pitné vody.

Chcete-li vyčistit vodní systém, prostudujte si uživatelskou příručku. Máte-li nějaké otázky, obraťte se na poprodejní servis.

Určené použití

Tento spotřebič je určen k chlazení a mrazení potravin. Je určen výhradně k používání v domácnostech a podobných oblastech, jako jsou kuchyně pro personál v obchodech, kancelářích a na dalších pracovištích, chalupy a hotely, motely a další obytné objekty, kde je používají zákazníci, stejně jako ubytovací zařízení typu penzionu se snídaní a cateringové služby. Není určen k používání v komerčním nebo průmyslovém prostředí.

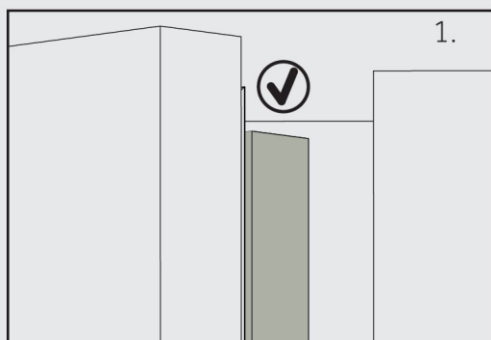
Na spotřebiči neprovádějte žádné změny nebo úpravy. Používání k jinému než určenému účelu může představovat nebezpečí a vést ke ztrátě platnosti záruky.

Normy a směrnice **CE** a **UKCA**

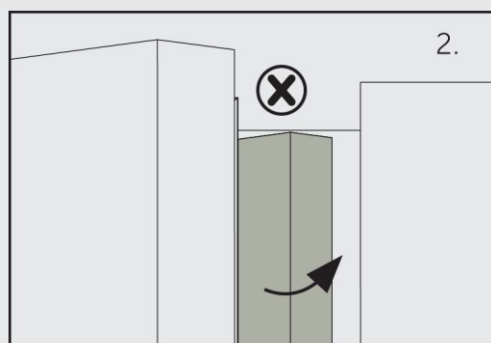
Tento výrobek splňuje požadavky všech platných směrnic ES s odpovídajícími harmonizovanými normami a normami platnými ve Spojeném Království, které stanoví používání označení CE a UKCA.



POZOR!



Když zavřete dvířka, svislá dvevní lišta na levých dvířkách chladničky by se měla ohnout dovnitř (1).



Jestliže se pokusíte zavřít levá dvířka a svislá dvevní lišta není ohnutá (2), nejprve byste ji měli ohnout, jinak dvevní lišta narazí do upevňovací osy nebo pravých dvířek. Pak by mohlo dojít k poškození prahu nebo k netěsnosti.

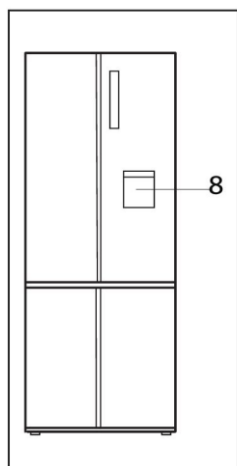
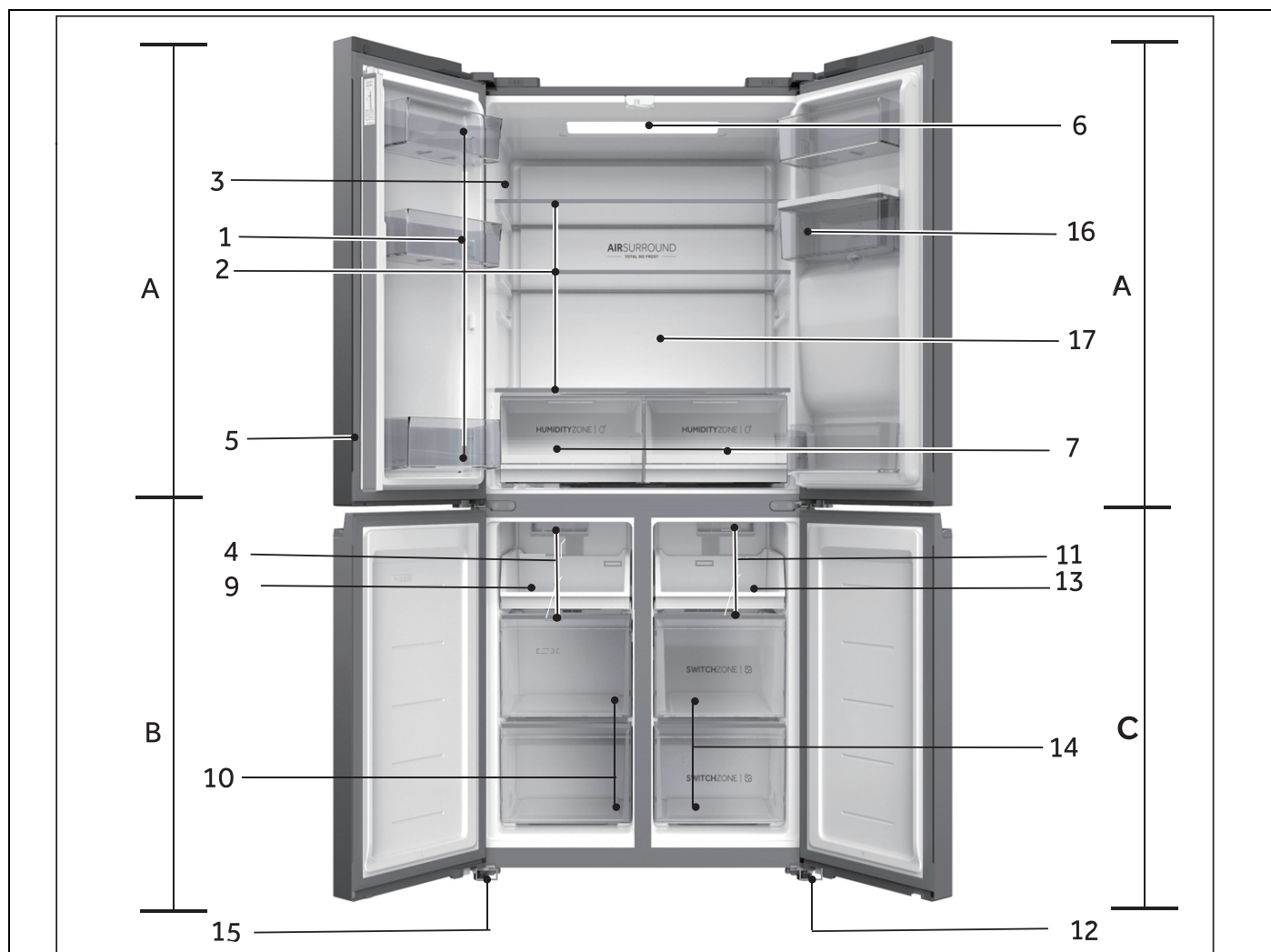
Uvnitř rámu je topné vlákno. Teplota povrchu mírně vzroste, což je normální a nebude to mít vliv na fungování spotřebiče.



Upozornění

Vzhledem k technickým změnám a různým modelům nemusí některé obrázky v této příručce přesně zobrazovat váš model.

Model (HCW58F18EWMP)



A: Prostor chladničky

- 1 Dveřní police
- 2 Skříňová police
- 3 Typový štítek
- 5 Dveřní lišta
- 6 Stropní světlo
- 7 Zásuvka Humidity Zone
- 8 Dávkovač vody
- 16 Zásobník na vodu
- 17 Vzduchové potrubí

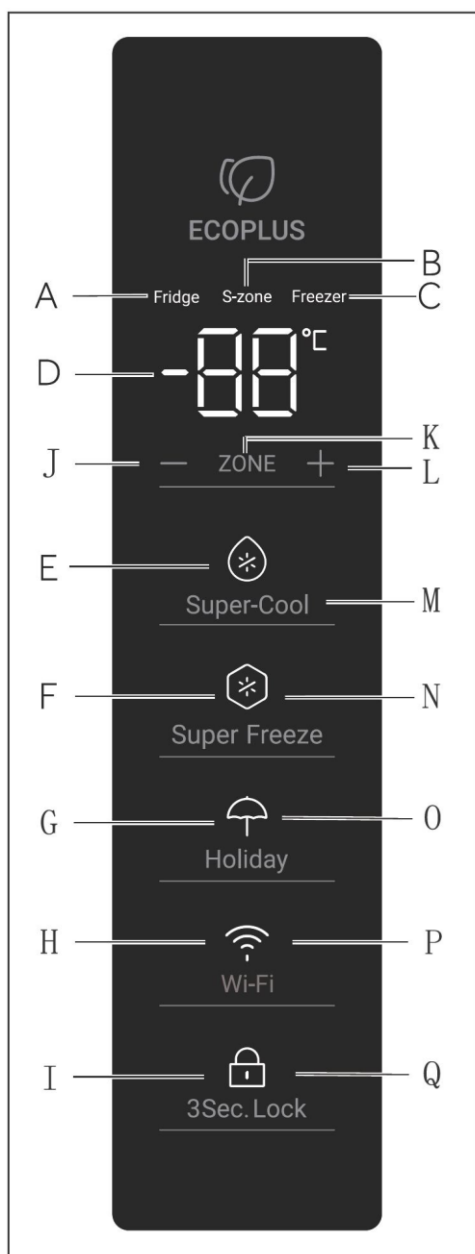
B: Prostor mrazničky

- 4 Vzduchové potrubí
- 9 Úložný zásobník
- 10 Úložná zásuvka
- 15 Nastavitelné nohy

C: Prostor Switch Zone

- 11 Vzduchové potrubí
- 12 Nastavitelné nohy
- 13 Úložný zásobník
- 14 Úložná zásuvka Switch Zone

Ovládací panel (HCW58F18EWMP)



Indikátor:

- A Prostor chladničky
- B Switch Zone
- C Prostor mrazničky
- D Zobrazení teploty
- E Funkce Super Cool
- F Funkce Super Freeze
- G Režim Holiday
- H Funkce Wi-Fi
- I Zámek panelu

Tlačítka:

- J Regulace teploty „-“
- K Výběr prostoru
- L Regulace teploty „+“
- M Volič funkce Super Cool
- N Volič funkce Super Freeze
- O Volič režimu Holiday
- P Zapnutí/vypnutí funkce Wi-Fi
- Q Volič funkce Zámek panelu

Před prvním použitím

- ▶ Odstraňte veškerý obalový materiál, uschovejte ho mimo dosah dětí a zlikvidujte ho způsobem šetrným k životnímu prostředí.
- ▶ Než do spotřebiče vložíte jakékoli potraviny, vyčistěte jeho vnitřní i vnější povrchy vodou a slabým saponátem.
- ▶ Po vyrovnání a vyčištění počkejte alespoň 2–5 hodin, než spotřebič připojíte k napájení. Viz část INSTALACE.
- ▶ Než naplníte prostory potravinami, nejprve je nechte ochladit na vysoké nastavení. Funkce Power-Freeze pomůže rychle ochladit prostory.
- ▶ Teplota v chladničce, teplota Switch Zone a teplota v mrazničce se automaticky nastaví na 5 °C, -18 °C a -18 °C. Jedná se o doporučené nastavení. V případě potřeby můžete tyto teploty změnit ručně. Viz NASTAVOVÁNÍ TEPLITY.

Dotyková tlačítka

Na ovládacím panelu jsou dotyková tlačítka, která reagují již na lehký dotyk prstem.

Zapínání/vypínání spotřebiče

Spotřebič se spustí ihned po připojení k napájení.

Při prvním zapnutí chladničky se rozsvítí indikátor „D“ (ukazatel teploty). Teplota v chladničce, teplota v Switch Zone a teplota v mrazničce se automaticky nastaví na 5 °C, -18 °C a -18 °C.

Pravděpodobně je aktivní zámek panelu.



Upozornění

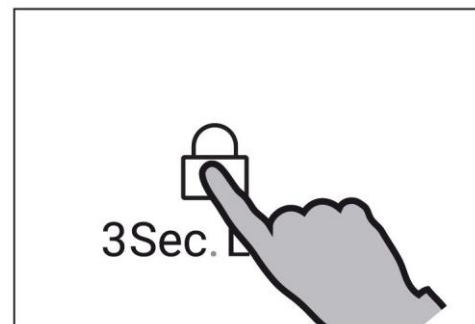
Spotřebič je přednastaven na doporučenou teplotu 5 °C (chladnička), -18 °C (Switch Zone) a -18 °C (mraznička). V normálních podmínkách okolního prostředí nemusíte nastavovat teplotu.

Když se spotřebič zapne poté, co byl odpojen od napájení, může trvat až 12 hodin, než dosáhne správné teploty.

Před vypnutím vyprázdněte spotřebič. Chcete-li spotřebič vypnout, vytáhněte napájecí kabel ze síťové zásuvky.

Zamknutí/odemknutí panelu

Displej se automaticky vypne 30 sekund po stisknutí tlačítka. Displej se automaticky uzamkne. Automaticky se rozsvítí při stisknutí libovolného tlačítka nebo otevření jakýchkoli dveří.



Upozornění

Teplotu chladničky, teplotu Switch Zone, teplotu mrazničky, funkci Super Cool, funkci Super Freeze, režim Holiday, funkci Wi-Fi nelze nastavit ve stavu uzamčení.

Pohotovostní režim

Displej se automaticky vypne po 30 sekundách od stisknutí jakéhokoli tlačítka. Displej se automaticky zamkne. Po stisknutí nějakého tlačítka nebo otevření dvířek/zásuvky se automaticky rozsvítí. (Výstraha displej nerozsvítí).

Režim ručního nastavení

Pokud chcete ručně nastavit teplotu spotřebiče, můžete nastavit tlačítko pro nastavení teploty (viz část NASTAVENÍ TEPLoty).

Nastavení teploty

Vnitřní teploty jsou ovlivňovány následujícími faktory:

- ▶ Okolní teplota
- ▶ Frekvence otevírání dvířek
- ▶ Množství uskladněných potravin
- ▶ Instalace spotřebiče

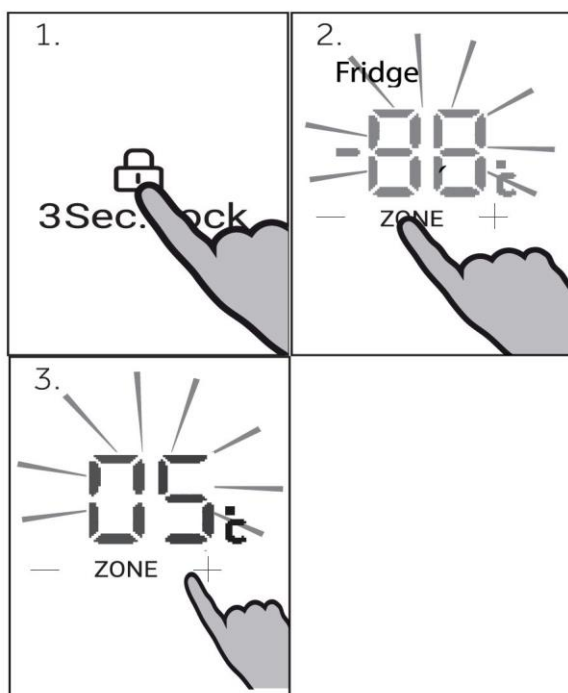
Výstraha dveří

Výstraha dveří se spustí jako připomínka, když jsou dveře dlouho otevřené nebo nejsou správně zavřené.

Nastavení teploty v chladničce

Dlouhým stisknutím tlačítka „Q“ na 3 sekundy odemkněte nastavení.

V odemčeném stavu stiskněte klávesu „K“ (výběr prostoru) pro přepínání mezi prostory. Když se rozsvítí indikátor „A“ (Indikátor prostoru chladničky), stiskněte tlačítko „J“ (Regulace teploty nebo tlačítko „L“ (Regulace teploty „+“) pro nastavení teploty v prostoru chladničky. Hodnota zobrazená na ukazateli „D“ se po každém stisknutí tlačítka „J“ sníží o 1 °C.



Na displeji bliká a svítí nastavená teplota, po několika sekundách zhasne. Hodnota zobrazená na ukazateli „D“ se proto při každém stisknutí tlačítka „L“ zvýší o 1 °C. Na displeji bliká a svítí nastavená teplota, po několika sekundách zhasne. Teplotu v prostoru chladničky lze nastavit v rozsahu od 1 °C do 9 °C s přírůstkem 1 °C.

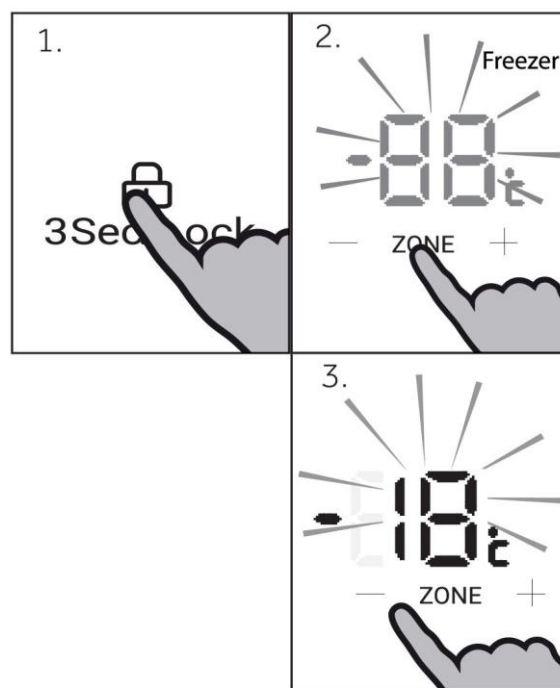
i Upozornění

Teplotu chladničky nelze nastavit ve stavu Super Cool, Holiday a uzamčení.

Nastavení teploty v mrazničce

Dlouhým stisknutím tlačítka „Q“ na 3 sekundy odemkněte nastavení.

V odemčeném stavu stiskněte klávesu „K“ (výběr prostoru) pro přepínání mezi prostory. Když se rozsvítí indikátor „C“ (indikátor prostoru mrazničky), stiskněte tlačítka „J“ (ovládání teploty „-“) nebo tlačítka „L“ (ovládání teploty „+“) pro nastavení teploty prostoru mrazničky. Hodnota zobrazená na ukazateli „D“ se po každém stisknutí tlačítka „J“ sníží o 1 °C. Na displeji bliká a svítí nastavená teplota, po několika sekundách zhasne. Hodnota zobrazená na ukazateli „D“ se proto při každém stisknutí tlačítka „L“ zvýší o 1 °C. Na displeji bliká a svítí nastavená teplota, po několika sekundách zhasne. Teplotu v prostoru mrazničky lze nastavit v rozsahu od -14 °C do -24 °C s přírůstkem 1 °C.



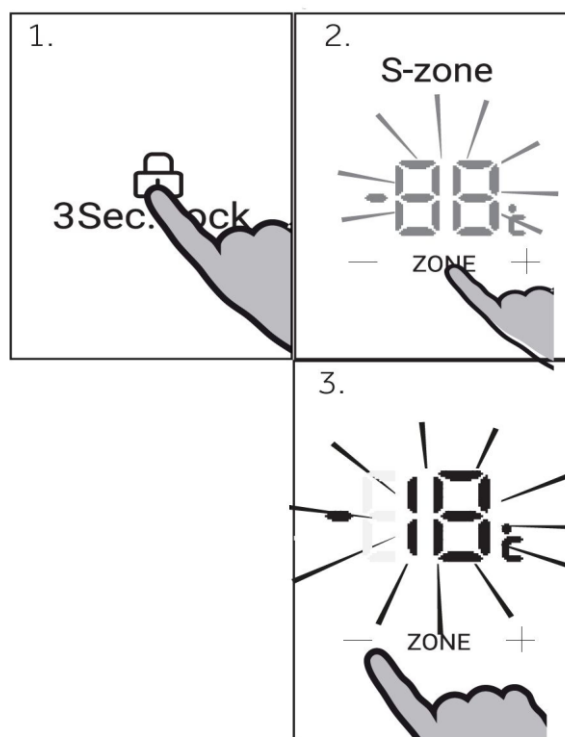
Upozornění

Teplotu mrazničky nelze nastavit ve stavu Super Freeze a uzamčení.

Nastavení teploty Switch Zone

Dlouhým stisknutím tlačítka „Q“ na 3 sekundy odemkněte nastavení.

V odemčeném stavu stiskněte klávesu „K“ (výběr prostoru) pro přepínání mezi prostory. Když se rozsvítí indikátor „B“ (indikátor Switch Zone), stiskněte tlačítko „J“ (ovládání teploty "-") nebo tlačítko „L“ (ovládání teploty "+") pro nastavení teploty v prostoru Switch Zone. Hodnota zobrazená na ukazateli „D“ se po každém stisknutí tlačítka „J“ sníží o 1 °C. Na displeji bliká a svítí nastavená teplota, po několika sekundách zhasne. Hodnota zobrazená na ukazateli „D“ se proto při každém stisknutí tlačítka „L“ zvýší o 1 °C. Na displeji bliká a svítí nastavená teplota, po několika sekundách zhasne. Teplotu v prostoru Switch Zone lze nastavit v rozsahu od 5 °C do -18 °C s přírůstkem 1 °C.



Upozornění

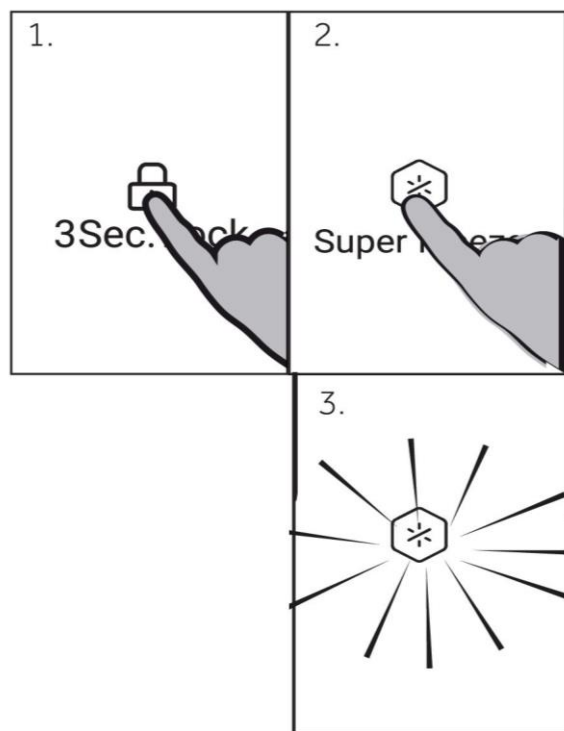
Teplotu Switch Zone nelze nastavit ve stavu uzamčení.

Funkce Super Freeze

Funkce Super Freeze dokáže zmrazit čerstvé potraviny co nejdříve tím, že urychlí zmrazení a zachová tak nejlepší nutriční hodnotu, vzhled a chuť potravin. Pokud potřebujete najednou zmrazit velké množství potravin, doporučuje se nastavit funkci Super Freeze 24 h před použitím prostoru mrazničky.

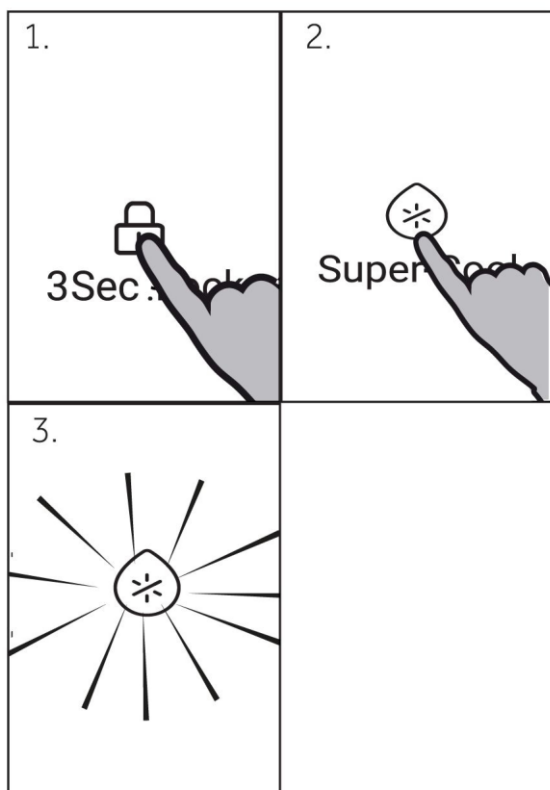
Dlouhým stisknutím tlačítka „Q“ na 3 sekundy odemkněte nastavení.

V odemčeném stavu stiskněte tlačítko „N“ (volič funkce Super Freeze), rozsvítí se indikátor „F“ (indikátor funkce Super Freeze), výrobek přejde do režimu Super Freeze. Výrobek automaticky opustí režim Super Freeze po 50 hodinách aktivace. Pro ruční ukončení režimu Super Freeze stiskněte tlačítko „N“ (volič funkce Super Freeze) ve stavu odemknutí, indikátor „F“ (indikátor funkce Super Freeze) zhasne, výrobek opustí režim Super Freeze.



Upozornění

V režimu Super Freeze jsou tlačítka „J“ (ovládání teploty „-“) a tlačítko „L“ (ovládání teploty „+“) při zvolení prostoru mrazničky zablokovány a teplotu v prostoru mrazničky nelze nastavit.



Funkce Super Cool

Pokud chcete potraviny po vložení do prostoru chladničky rychle zchladit, můžete zapnout funkci Super Cool.

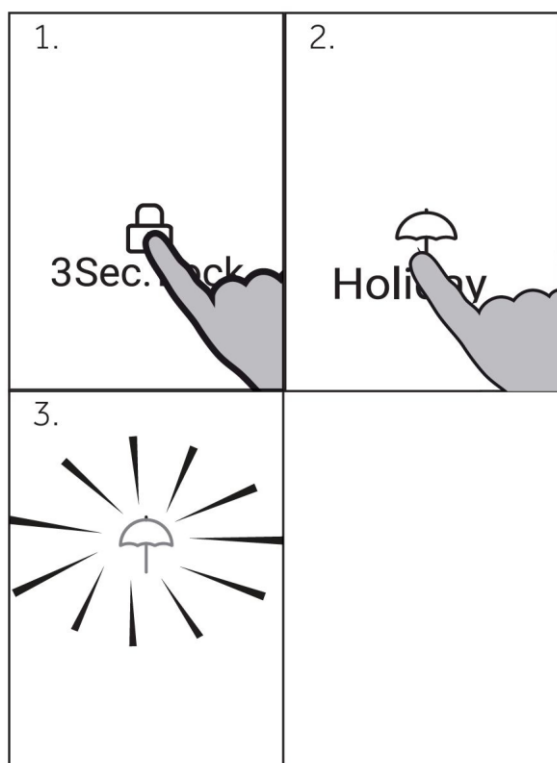
Dlouhým stisknutím tlačítka „Q“ na 3 sekundy odemkněte nastavení.

V odemčeném stavu stiskněte tlačítko „M“ (volič funkce Super Cool), rozsvítí se indikátor „E“ (indikátor funkce Super Cool) a výrobek přejde do režimu Super Cool. Výrobek automaticky opustí režim Super Cool po 6 hodinách aktivace. Pro ruční ukončení režimu Super Cool stiskněte tlačítko „M“ (volič funkce Super Cool) ve stavu odemknutí, indikátor „E“ (indikátor funkce Super Cool) zhasne, výrobek opustí režim Super Cool.



Upozornění

Funkce Super Cool se automaticky deaktivuje, když je zvolen režim Holiday. V režimu Super Cool jsou tlačítka „T“ (ovládání teploty „-“) a tlačítko „L“ (ovládání teploty „+“) zablokovány, když je vybrán prostor chladničky, a teplotu v prostoru chladničky nelze nastavit.



Režim Holiday

V režimu Holiday se prostor chladničky automaticky nastaví na 17 °C (pro úsporu energie), zatímco Switch Zone a prostor mrazničky pracují při normálním nastavení teploty.

Dlouhým stisknutím tlačítka „Q“ na 3 sekundy odemkněte nastavení.

V odemčeném stavu stiskněte tlačítko „O“ (volič režimu Holiday), rozsvítí se indikátor „G“ (indikátor režimu Holiday) a výrobek vstoupí do režimu Holiday; pro ukončení stiskněte tlačítko „O“ (volič režimu Holiday), indikátor „G“ zhasne a výrobek opustí režim Holiday.





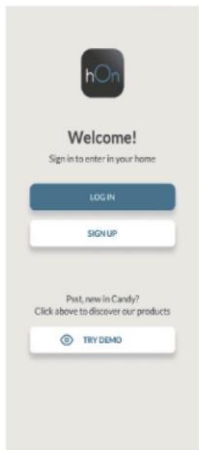

i Upozornění

Režim Holiday se automaticky ukončí po aktivaci funkce Super Cool.

V režimu Holiday tlačítko „J“ (regulace teploty „-“) a tlačítko „L“ (Ovládání teploty „+“) jsou při zvoleném prostoru chladničky zablokovány a teplotu v prostoru chladničky nelze nastavit.

Nastavení režimu Wi-Fi

POSTUP PÁROVÁNÍ S APLIKACÍ

<p>Krok 1 • Stáhněte si aplikaci hOn z obchodu s aplikacemi</p> <div style="display: flex; align-items: center;">  <div style="display: flex; gap: 10px;"> <div style="border: 1px solid black; padding: 5px; text-align: center;">  <p>GET IT ON Google Play</p> </div> <div style="border: 1px solid black; padding: 5px; text-align: center;">  <p>Download on the App Store</p> </div> <div style="border: 1px solid black; padding: 5px; text-align: center;">  <p>EXPLORE IT ON AppGallery</p> </div> </div> </div>	
<p>Krok 2 Vytvořte si účet v aplikaci hOn, nebo se přihlaste, pokud již máte účet</p> 	<p>Krok 3 Řiďte se pokyny pro párování v aplikaci hOn</p> 

Funkce Wi-Fi

Pokud Wi-Fi ještě nebyla nakonfigurována, po prvním zapnutí chladnička automaticky přejde do režimu konfigurace a tento stav udrží po dobu 30 minut.

Ikona Wi-Fi „H“ rychle bliká a registrace výrobku může začít.

1. Nakonfigurujte síť Wi-Fi podle pokynů v aplikaci.
2. Jakmile je síť Wi-Fi nakonfigurována a naváže se spojení, rozsvítí se ikona Wi-Fi „H“ a bude nepřerušovaně svítit.
3. Režim konfigurace Wi-Fi se automaticky ukončí po 30 minutách nečinnosti.
4. Pokud již byla Wi-Fi nakonfigurována, po zapnutí Wi-Fi se automaticky znovu připojí podle informací o konfiguraci.

Upozornění

1. Tento produkt není určen pro komerční použití.
2. Pracovní frekvence vysílače: 2400 MHz~2483,5MHz
3. Maximální výstupní výkon vysílače: 20dBm



Upozornění

1. Chcete-li vypnout Wi-Fi, stiskněte tlačítko Wi-Fi „P“ a ikona Wi-Fi „H“ se vypne.
2. Chcete-li zapnout Wi-Fi a zahájit konfiguraci, stiskněte tlačítko Wi-Fi „P“ a ikona Wi-Fi „H“ začne pomalu blikat. Pokud chcete funkci Wi-Fi vypnout, stiskněte jednou tlačítko „P“. Pokud chcete konfigurovat funkci Wi-Fi, stiskněte tlačítko „P“ na dobu 3 s, ale kratší než 20 s, a ozve se akustický signál, ikona Wi-Fi rychle bliká a přejde do režimu konfigurace. Výše uvedené kroky se opakují.
3. Pokud byl produkt nakonfigurován a funkce Wi-Fi byla vypnuta, chladnička po opětovném připojení k napájení do režimu konfigurace nevstoupí.
4. Jakmile je síť Wi-Fi nakonfigurována a naváže se spojení, rozsvítí se ikona Wi-Fi „H“ a bude nepřerušovaně svítit.

Výstraha dveří

Výstraha dveří se spustí jako připomínka, když jsou dveře dlouho otevřené nebo nejsou správně zavřené.

DVEŘE CHLADNIČKY VLEVO

DVEŘE CHLADNIČKY VPRAVO

DVEŘE MRAZNIČKY

DVEŘE SWITCH ZONE

Dávkovač vody

Z dávkovače vody lze odebírat studenou pitnou vodu.

Zásobník na vodu by se měl před prvním použitím vyčistit (viz ČIŠTĚNÍ A ÚDRŽBA).

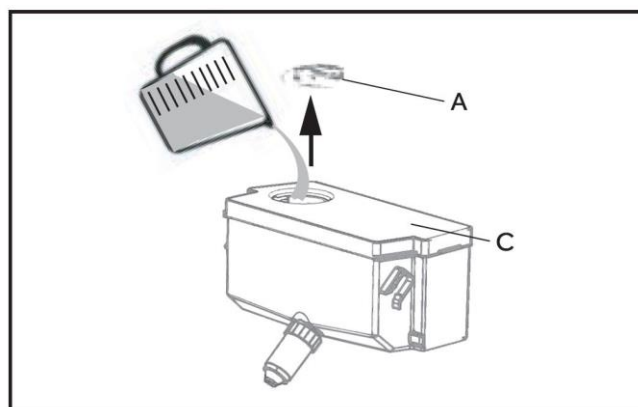
Plnění zásobníku na vodu



VAROVÁNÍ!

Plňte pouze pitnou vodou.

1. Ujistěte se, že je zásobník na vodu správně vložený (viz VYBAVENÍ).
2. Otočte a zdvihněte okrouhlé víko (A) a naplňte zásobník na vodu čerstvou pitnou vodou.
3. Naplňte ho pouze po značku (2.51); jinak by mohl při otvírání a zavírání dveří přetékat.
4. Zavřete okrouhlé víko (A) tak, aby zaklaplo na místo.

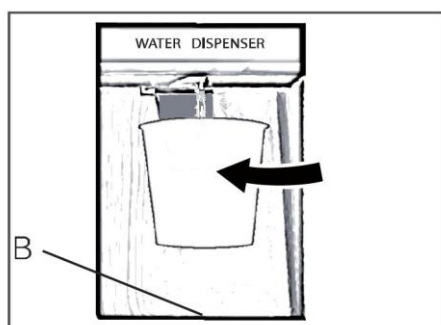


i Upozornění: Dávkovač vody

Před doplněním vylijte zbytkovou vodu a vyčistěte zásobník.

Jestliže nebudete delší dobu potřebovat vodu, vyprázdněte a vyčistěte zásobník na vodu a vložte ho na místo.

Kryt (C) na zásobníku na vodu slouží také k šetření energií. Jestliže nechcete delší dobu odebírat vodu z dávkovače, přesto nainstalujte kryt kvůli lepší izolaci a úspoře energie.



Odebírání vody z dávkovače

1. Dejte sklenici pod vodní výpusť.
2. Jemně zatlačte na páčku dávkovače vody. Ujistěte se, že sklenice je vyrovnána s dávkovačem, aby voda nevystříkla ven.
3. Vodu v zásobníku (B) je třeba včas odstranit, protože by mohla při otvírání a zavírání dveří přetéct.

Tipy pro ukládání čerstvých potravin

Ukládání do prostoru chladničky

- ▶ Udržujte teplotu v chladničce pod 5 °C.
- ▶ Horké potraviny musí před uložením do spotřebiče vychladnout na pokojovou teplotu.
- ▶ Potraviny uchovávané v chladničce by se měly před uložením omýt a osušit
- ▶ Potraviny určené k uložení by měly být náležitě uzavřené, aby se zamezilo změnám vůně nebo chuti.
- ▶ Neskladujte nadměrné množství potravin. Mezi potravinami nechávejte volné místo, aby kolem nich mohl proudit studený vzduch; pak bude chlazení lepší a rovnoměrnější.
- ▶ Potraviny konzumované každý den by se měly ukládat na přední straně police.
- ▶ Mezi potravinami a vnitřními stěnami nechávejte mezery, kterými může proudit vzduch. Zejména neopírejte potraviny o zadní stěnu, protože tam by mohly zmrznout. Zamezte přímému kontaktu potravin (zejména olejnatých nebo kyselých) s vnitřním povrchem, protože oleje/kyseliny by mohly způsobit jeho korozi. Kdykoli objevíte olejnaté/kyselé nečistoty, odstraňte je.
- ▶ Rozmrazujte zmrazené potraviny v úložném prostoru chladničky. Pak budete moci použít zmrazené potraviny ke snížení teploty ve vnitřním prostoru a ušetříte energii.
- ▶ Uchovávání v chladničce může urychlit zrání některých druhů ovoce a zeleniny, například cuket, melounů, papáji, banánů, ananasu atd. Proto se nedoporučuje skladovat je v chladničce. Nicméně uložení na určitou dobu může podpořit zrání velmi nezralého ovoce. Také cibule, česnek, zázvor a další kořenová zelenina by se měly skladovat při pokojové teplotě.
- ▶ Nepříjemný zápach uvnitř chladničky může znamenat, že se něco zkazilo a bude nutné čištění. Viz ČIŠTĚNÍ A ÚDRŽBA.
- ▶ Různé potraviny by se měly ukládat na různá místa podle jejich vlastností:



Upozornění

Mezi uloženými potravinami a vzduchovým kanálem nebo snímači udržujte vzdálenost větší než 10 mm, aby bylo zaručeno účinné chlazení.



- 1 Máslo, sýry atd.
- 2 Vejce, plechovky, konzervy, koření atd.
- 3 Nápoje a láhve.
- 4 Nakládané potraviny, konzervy atd.
- 5 Masné výrobky, přesnídávky, těstoviny, konzervy, mléko, tofu, mléčné výrobky atd.
- 6 Vařené maso, klobásy atd.
- 7 Zásuvka Humidity Zone: Ovoce, zelenina, saláty atd.
- 8 Zásuvka Humidity Zone: Ovoce, zelenina, saláty atd.

Uložení do prostoru Switch Zone

Prostoru Switch Zone umožňuje nastavit teplotu v rozmezí od -18 °C do 5 °C podle potřeby skladování potravin a poskytuje vám další flexibilitu v možnostech skladování pro vaše pohodlí.

-18 °C	Pro běžné zmrazené potraviny, které vyžadují skladování v rozmezí 1–12 měsíců.	Maso, drůbež, mořské plody, předvařené potraviny a zbytky jídel, některé druhy ovoce a zeleniny, zmrzlina a jiné mražené dezerty.
-7 °C	Umožňuje snadné porcování potravin a možnost ohřívat, vařit nebo podávat potraviny přímo z prostoru bez čekání na rozmrazení.	Maso, mořské plody, polévky, omáčky, pyré, chléb, moučníky a pečivo. Poznámka: Doporučuje se pro skladování krémových dezertů, jako je zmrzlina.
0 °C	Poskytuje dokonalou skladovací zónu pro rychle se kazící potraviny, aby si zachovaly svou důležitou čerstvost a kvalitu.	Rychle se kazící maso, drůbež a mořské plody. Alkoholické nápoje, například pivo.
5 °C	Ideální režim pro čerstvé potraviny, jako je ovoce a zelenina, mléčné výrobky, maso a nápoje.	Ovoce a zelenina, mléčné výrobky, džemy a zavařeniny, maso a nápoje.

Ukládání do prostoru mrazničky

- ▶ Udržujte teplotu mrazničky na $-18\text{ }^{\circ}\text{C}$.
- ▶ 24 hodin před zmrazením zapněte funkci Super-freeze; pro malé množství potravin postačí 4–6 hodin.
- ▶ Horké potraviny musí před uložením do prostoru mrazničky vychladnout na pokojovou teplotu.
- ▶ Potraviny nakrájené na malé porce zmrznou rychleji a snáze se rozmrazují a připravují. Doporučená hmotnost každé porce je méně než 2,5 kg
- ▶ Před vložením do mrazničky je vhodné potraviny zabalit. Vnější povrch obalu musí být suchý, aby balíčky nepřimrzly k sobě. Obalové materiály by měly být bez zápachu, vzduchotěsné, nejedovaté a netoxické.
- ▶ Na obal zaznamenejte datum zmrazení, časový limit a název potravin podle příslušných údajů pro různé potraviny, abyste předešli překročení doby skladovatelnosti.
- ▶ **VAROVÁNÍ!** Kyseliny, zásady, sůl apod. by mohly způsobit korozi vnitřního povrchu mrazničky. Nepokládejte potraviny obsahující tyto látky (např. mořské ryby) přímo na vnitřní povrch. Slaná voda v mrazničce by se měla ihned odstranit.
- ▶ Nepřekračujte doby skladovatelnosti potravin doporučené výrobcem. Vyjímejte z mrazničky pouze potřebné množství potravin.
- ▶ Rozmrazené potraviny rychle zkonzumujte. Rozmrazené potraviny již nelze znovu zmrazit, dokud se nejprve nepřipraví, jinak by se zhoršila jejich požitelnost.
- ▶ Neukládejte do prostoru mrazničky nadměrné množství čerstvých potravin. Věnujte pozornost kapacitě mrazničky - viz TECHNICKÉ ÚDAJE nebo údaje na typovém štítku.
- ▶ Potraviny lze skladovat v mrazničce při teplotě nejméně $-18\text{ }^{\circ}\text{C}$ po dobu 2 až 12 měsíců v závislosti na jejich vlastnostech (např. maso: 3–12 měsíců, zelenina: 6–12 měsíců)
- ▶ Při zmrazování čerstvých potravin zamezte jejich kontaktu s již zmrazenými potravinami. Hrozí nebezpečí rozmrazení!

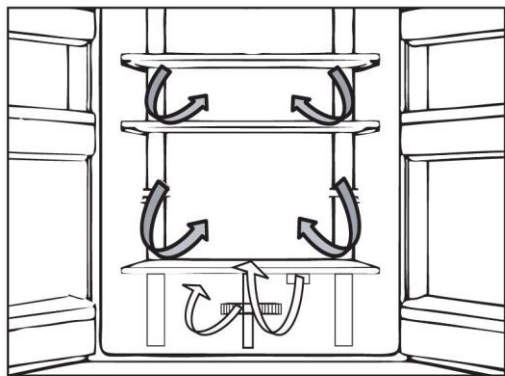
Při ukládání potravin prodávaných ve zmrazeném stavu se řiďte těmito pokyny:

- ▶ Vždy dodržujte pokyny výrobce ohledně doby skladovatelnosti potravin. Tyto pokyny neporušujte!
- ▶ Snažte se co nejvíce zkrátit dobu mezi nákupem a uložením, aby zůstala zachována kvalita potravin.
- ▶ Kupujte mražené potraviny, které byly skladovány při teplotě $-18\text{ }^{\circ}\text{C}$ nebo nižší.
- ▶ Nekupujte potraviny, které mají na obalu led nebo námrazu. Znamená to, že tyto výrobky mohly být v nějakém okamžiku částečně rozmrazené a znovu zmrazené. Vzrůst teploty ovlivňuje kvalitu potravin.



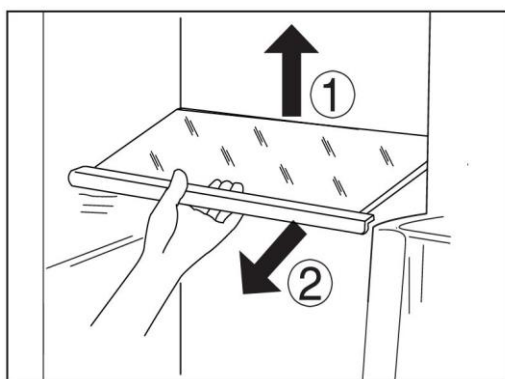
Upozornění

- ▶ Mezi uloženými potravinami a vzduchovým kanálem udržujte vzdálenost větší než 10 mm, aby bylo zaručeno účinné chlazení.



Vícecestný průtok vzduchu

Chladnička je vybavena systémem vícecestného průtoku vzduchu, který zajišťuje proudění chladného vzduchu v každé úrovni polic. Pomáhá to udržovat jednotnou teplotu, která zaručí, že potraviny vydrží déle v čerstvém stavu.



Nastavitelné police

Výšku polic lze upravovat tak, aby vyhovovala vašim požadavkům na ukládání.

1. Chcete-li přemístit nějakou polici, vyjměte ji tak, že nejprve nadzdvihnete okraj (1) a potom ji vytáhnete ven (2).
2. Při instalaci ji položte na výstupky na obou stranách a zatlačte ji až dozadu tak, aby se zadní strana police usadila uvnitř drážek v bočních stranách



Upozornění:

Ujistěte se, že oba konce police jsou v rovině.

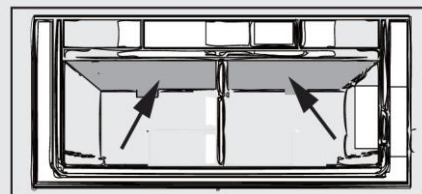
Zásuvka Humidity Zone

V tomto prostoru je hladina vlhkosti kolem 85 %. Je regulována automaticky systémem a vhodná k ukládání ovoce, zeleniny, salátů a jiných potravin.



Upozornění:

- ▶ Plastový kryt uvnitř obou zón neodstraňujte. Udrží vlhkost.
- ▶ V těchto dvou zásuvkách by se nemělo uchovávat ovoce citlivé na chlad, například ananas, avokádo, banány, grapefruity, zelenina jako brambory, lilky, fazole, okurky, cukety a rajčata a sýry.

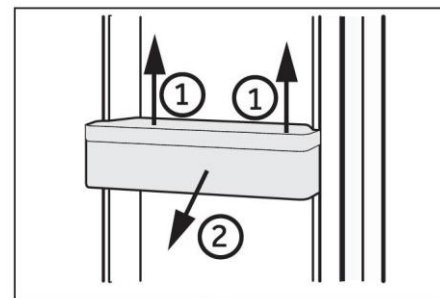


Odnímatelné dveřní police

Police ve dvířkách lze vyjímat za účelem čištění:

Uchopte rukama obě strany police, zdvihněte ji nahoru (1) a vytáhněte ji ven (2).

Při vkládání dveřní police proveďte výše popsané kroky v opačném pořadí.

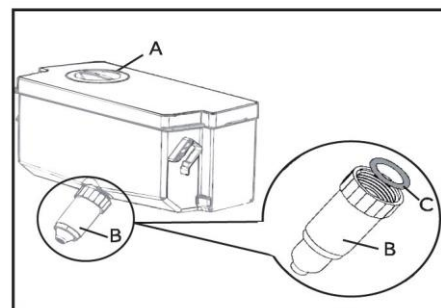


Vyjímatelný zásobník na vodu

Zásobník na vodu lze za účelem čištění vyjmout a nainstalovat zpět, stejně jako police na dveřích.

Vložení zásobníku na vodu

Umístěte zásobník na vodu do takové polohy, aby vodní výpust (B) zapadla do otvoru ve dveřích. Ujistěte se, že je zásobník na vodu zajištěný.



Upozornění: Zásobník na vodu

Ujistěte se, že je hubici pevně přišroubována k nádrži na vodu a bílý O-kroužek (C) je na svém místě.

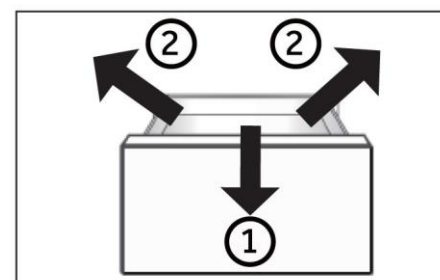
V případě nesprávně vloženého zásobníku na vodu může kapat voda ze spojky.

Při vyjímání nebo instalaci zásobníku na vodu nepoužívejte nadměrnou sílu, aby se nepoškodil.

Vyjímatelná zásuvka mrazničky

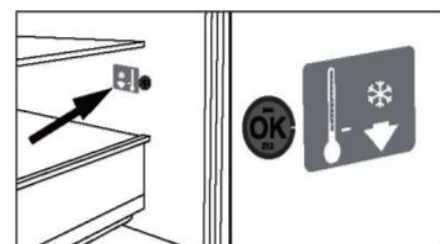
Chcete-li vyndat zásuvku, vytáhněte ji, jak nejdále to půjde (1), zdvihněte ji a vyjměte (2).

Při vkládání zásuvky proveďte výše popsané kroky v opačném pořadí.



VOLITELNĚ: OK-indikátor teploty

Indikátor teploty OK lze použít k určení teplot pod +4°C. Postupně snižujte teplotu, pokud cedule neukazuje "OK".



Světlo

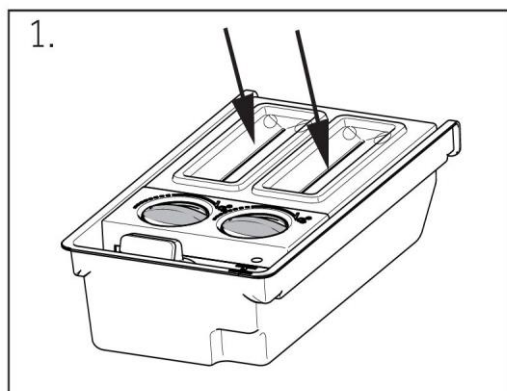
Vnitřní osvětlení LED se rozsvítí při otevření dveří a automaticky zhasne, pokud zůstanou dveře otevřené déle než 7 minut. Fungování světel není ovlivňováno žádným z nastavení spotřebiče.



Tipy pro úsporu energie

- ▶ Zajistěte, aby měl spotřebič náležité větrání (viz INSTALACE).
- ▶ Neinstalujte spotřebič na přímé sluneční světlo nebo do blízkosti zdrojů tepla (např. sporáků nebo ohřivačů).
- ▶ Vyhýbejte se zbytečně nízké teplotě uvnitř spotřebiče. Čím nižší je nastavená teplota ve spotřebiči, tím vyšší je spotřeba energie.
- ▶ Funkce jako Super- Freeze spotřebovávají více energie.
- ▶ Teplé jídlo nechte před vložením do spotřebiče vychladnout.
- ▶ Otvírejte dvířka spotřebiče co nejméně a na co nejkratší dobu.
- ▶ Nepřepíňujte spotřebič, aby se nenarušilo proudění vzduchu.
- ▶ Zamezte přítomnosti vzduchu v obalech potravin.
- ▶ Udržujte těsnění dvířek v čistém stavu, aby se dvířka vždy správně zavírala.
- ▶ Rozmrazujte zmrazené potraviny v úložném prostoru chladničky.
- ▶ Energeticky nejúspornější konfigurace vyžaduje, aby byly ve spotřebiči nainstalovány přihrádky, schránka na potraviny, police ve stavu jako z výroby a aby uložené potraviny co nejméně zakrývaly výstup vzduchového kanálu.

Forma na kostky ledu

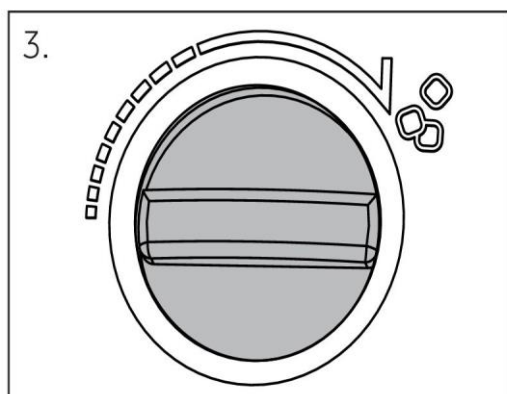


1. Do každé přihrádky na výrobu ledu nalijte čerstvou pitnou vodu podle značky na stupnici uvnitř odměrky, nepřekračujte ji.



Upozornění:

Mezi 2 tlačítka nepřivádějte vodu, jinak by tlačítka mohla zmrznout a kostky ledu by nemohly spadnout do úložné přihrádky.



2. Přihrádku vložte do prostoru mrazničky.
3. Jakmile se z vody stane led, vyjměte výrobek ledu ze spotřebiče a ručně otočte tlačítkem. Kostky ledu pak budou automaticky padat do přihrádky na led. Odstraňte kryt a vyndejte kostky ledu.



VAROVÁNÍ!

Před čištěním odpojte spotřebič od napájení.

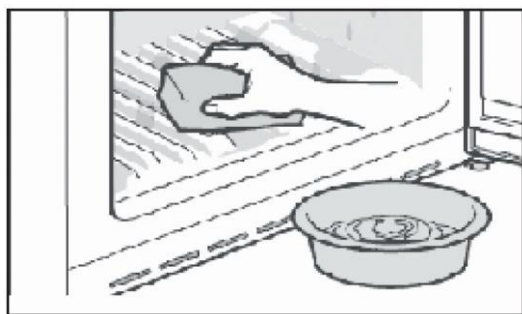
Čištění

Spotřebič čistěte pouze tehdy, když je v něm uloženo jen málo potravin, nebo je prázdný. Spotřebič by se měl čistit každé čtyři týdny, aby byl dobře udržovaný a zamezilo se zápachu z uložených potravin.



VAROVÁNÍ!

- ▶ Nečistěte spotřebič tvrdými kartáči, drátěnými kartáči, práškovým mycím prostředkem, benzínem, amylacetátem, acetonem, podobnými organickými roztoky a kyselými nebo zásaditými roztoky. K čištění použijte speciální čisticí prostředek na chladničky, aby se zamezilo poškození.
- ▶ Během čištění na spotřebič nestříkejte ani nelijte vodu.
- ▶ K čištění spotřebiče nepoužívejte vodní postřík ani proud vody.
- ▶ Nečistěte chladné skleněné police horkou vodou. Náhlá změna teploty by mohla způsobit, že sklo praskne.
- ▶ Nedotýkejte se vnitřního povrchu úložného prostoru mrazničky, zejména ne mokřýma rukama, protože by mohly přimrznout k povrchu.
- ▶ V případě ohřátí zkontrolujte stav mražených potravin.

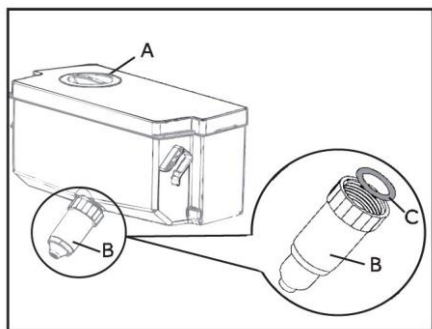


- ▶ Vždy udržujte těsnění dvířek v čistém stavu.
 - ▶ Očistěte vnitřek a skříň spotřebiče houbou navlhčenou v teplé vodě s neutrálním čisticím prostředkem.
1. Vydrhněte vnitřní a vnější povrchy chladničky včetně těsnění dvířek, polic ve dvířkách, skleněných polic, přihrádek apod. měkkou utěrkou nebo houbou namočenou v teplé vodě (do teplé vody můžete přidat neutrální saponát).
 2. Pokud se rozlije nějaká tekutina, vyjměte všechny zasažené součásti, opláchněte je přímo pod tekoucí vodou, osušte a vraťte zpět do chladničky.
 3. Pokud se rozlije smetana (například šlehačka nebo roztátá zmrzlina), vyjměte všechny zasažené součásti, na nějakou dobu je vložte do teplé vody o teplotě asi 40 °C, potom je opláchněte pod tekoucí vodou, osušte a vraťte zpět do chladničky.
 4. V případě, že uvnitř chladničky uvíznou nějaké malé díly nebo součásti (mezi policemi nebo zásuvkami), uvolněte je měkkým kartáčkem. Pokud na nějakou součást nedosáhnete, obraťte se na servis společnosti Haier
 - ▶ Opláchněte povrch a vysušte ho měkkou látkou.
 - ▶ Nemyjte žádné součásti spotřebiče v myčce.
 - ▶ Před opětovným spuštěním spotřebiče počkejte alespoň 5 minut, protože časté spouštění by mohlo poškodit kompresor.

Odmrazování

Prostory chladničky a mrazničky se odmrazují automaticky; není nutný žádný ruční zásah.

Čištění zásobníku na vodu

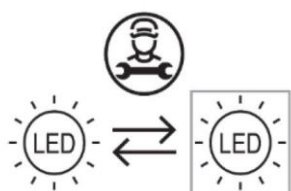


1. Vyjměte zásobník na vodu ze spotřebiče.
2. Sejměte kryt (A).
3. Odšroubujte hubici dávkovače (B).
4. Vyčistěte zásobník a hubici dávkovače teplou vodou a tekutým prostředkem na mytí nádobí. Důkladně opláchněte veškerý saponát.
5. Namontujte dávkovač (B) a dbejte na to, aby byl pevně přišroubován k zásobníku na vodu a bílý O-kroužek (C) byl na svém místě.
6. Zavřete kryt (A) a vložte zásobník zpět do spotřebiče.

i Upozornění: Zásobník na vodu

V případě nesprávně vloženého zásobníku na vodu může kapat voda ze spojky. Při vyjímání nebo instalaci zásobníku na vodu nepoužívejte nadměrnou sílu, aby se nepoškodil.

Výměna žárovek LED



Vyměnitelný světelný zdroj (pouze LED), výměnu musí provést odborník

Tento výrobek obsahuje světelný zdroj s třídou energetické účinnosti G

prostor	Napětí	Max. výkon	Třída energetické účinnosti	Model
Chladnička	DC 12 V	5 W	G	HCW58F18EWMP

Když se spotřebič delší dobu nepoužívá

Jestliže se spotřebič nebude delší dobu používat a budete využívat pouze funkci Holiday nebo funkci vypnutí chladničky:

- ▶ Vyjměte potraviny.
- ▶ Vytáhněte napájecí kabel ze zásuvky.
- ▶ Vyprázdněte a vyčistěte zásobník na vodu
- ▶ Vyčistěte spotřebič podle výše uvedeného popisu.
- ▶ Nechte dvířka otevřená, aby se uvnitř nevytvořil zápach.



Upozornění

Spotřebič vypínejte pouze v nezbytně nutných případech.

Přemísťování spotřebiče

1. Vyjměte všechny potraviny a odpojte spotřebič od napájení.
2. Připevněte police a ostatní pohyblivé součásti v chladničce a mrazničce lepicí páskou.
3. Nenaklánějte chladničku v úhlu větším než 45°, aby se předešlo poškození chladicího systému.

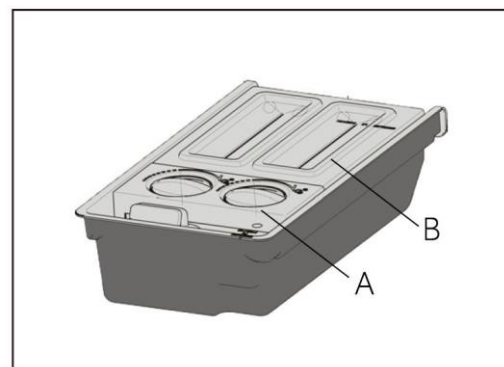


VAROVÁNÍ!

- ▶ Nezdvihejte spotřebič za madla.
- ▶ Nikdy nepokládejte spotřebič vodorovně na zem.

Čištění výrobku kostek ledu

1. Vyjměte výrobek kostek ledu ze spotřebiče.
2. Sejměte kryty (A) a (B).
3. Výrobek kostek ledu vyčistěte teplou vodou a tekutým prostředkem na mytí nádobí. Důkladně opláchněte veškerý saponát.
4. Zavřete kryty, doplňte pitnou vodu a vyměňte výrobek kostek ledu uvnitř spotřebiče.



Mnoho problémů můžete vyřešit sami bez konkrétních odborných znalostí. V případě nějakého problému zkontrolujte všechny možnosti a řiďte se níže uvedenými pokyny, než se obrátíte na poprodejní servis. Viz ZÁKAZNICKÝ SERVIS.



VAROVÁNÍ!

- ▶ Před zahájením údržby vypněte spotřebič a vytáhněte zástrčku napájecího kabelu ze síťové zásuvky.
- ▶ Servis elektrického zařízení by měli provádět pouze kvalifikovaní elektrikáři, protože nepatřičné opravy by mohly vést k vážným následným škodám.
- ▶ Poškozený napájecí kabel by měl vyměnit pouze výrobce, jeho servisní zástupce nebo osoby s podobnou kvalifikací, aby se vyloučilo riziko.

Problém	Možná příčina	Možné řešení
Kompresor nepracuje.	<ul style="list-style-type: none"> • Síťová zástrčka není zapojena do síťové zásuvky. • Spotřebič provádí cyklus odmrazování 	<ul style="list-style-type: none"> • Zapojte síťovou zástrčku. • Jedná se o normální jev při automatickém odmrazování
Spotřebič se spouští často, nebo běží příliš dlouho.	<ul style="list-style-type: none"> • Vnitřní nebo venkovní teplota je příliš vysoká. • Spotřebič byl určitou dobu vypnutý. • Dvířka spotřebiče nejsou těsně zavřená. • Dvířka se otvírala příliš často, nebo byla příliš dlouho otevřená. • Nastavená teplota pro prostor mrazničky je příliš nízká. • Těsnění dvířek je znečištěné, opotřebené, popraskané nebo nesprávně nainstalované. • Není zaručena požadovaná cirkulace vzduchu. 	<ul style="list-style-type: none"> • V tomto případě je normální, že spotřebič běží déle. • Normálně trvá 8 až 12 hodin, než se spotřebič úplně ochladí. • Zavřete dvířka/zásuvku a ujistěte se, že spotřebič je umístěn na rovné zemi a dvířkům nepřekáží žádné potraviny nebo nádoby. • Neotvírejte dvířka/zásuvku příliš často. • Nastavujte vyšší teplotu, dokud nedosáhnete uspokojivé teploty chladničky. Trvá 24 hodin, než se teplota chladničky ustálí. • Vyčistěte těsnění dvířek/zásuvky, nebo ho nechte vyměnit zákaznickým servisem. • Zajistěte odpovídající větrání.
Vnitřek chladničky je znečištěný a/nebo zapáchá.	<ul style="list-style-type: none"> • Je třeba vyčistit vnitřek chladničky. • V chladničce je uloženo nějaké silně aromatické jídlo. 	<ul style="list-style-type: none"> • Vyčistěte vnitřek chladničky. • Důkladně zabalte jídlo.
Uvnitř spotřebiče není dostatečně chladno.	<ul style="list-style-type: none"> • Je nastavena příliš vysoká teplota. • Bylo uloženo příliš teplé jídlo. • Bylo uloženo příliš potravin najednou. 	<ul style="list-style-type: none"> • Znovu nastavte teplotu. • Před uložením vždy nechte jídlo vychladnout. • Vždy ukládejte menší množství potravin.

Problém	Možná příčina	Možné řešení
	<ul style="list-style-type: none"> Potraviny jsou příliš blízko sebe. Dvířka/zásuvka spotřebiče nejsou těsně zavřená. Dvířka/zásuvka se otvírala příliš často, nebo byla příliš dlouho otevřená. 	<ul style="list-style-type: none"> Nechte mezi potravinami mezery umožňující proudění vzduchu. Zavřete dvířka/zásuvku. Neotvírejte dvířka/zásuvku příliš často.
Uvnitř spotřebiče je příliš chladno.	<ul style="list-style-type: none"> Je nastavena příliš nízká teplota. Je aktivována funkce Super-Frz/Super-Cool, nebo běží příliš dlouho. 	<ul style="list-style-type: none"> Znovu nastavte teplotu. Vypněte funkci Super-Frz/Super-Cool
Tvoření vlhkosti na vnitřním povrchu chladicího prostoru.	<ul style="list-style-type: none"> Prostředí je příliš teplé a vlhké. Dvířka/zásuvka spotřebiče nejsou těsně zavřená. Dvířka/zásuvka se otvírala příliš často, nebo byla příliš dlouho otevřená. Nádoby na potraviny nebo tekutiny zůstaly otevřené. 	<ul style="list-style-type: none"> Zvyšte teplotu. Zavřete dvířka/zásuvku. Neotvírejte dvířka/zásuvku příliš často. Nechte horké potraviny vychladnout na pokojovou teplotu a zakryjte potraviny a tekutiny.
Na vnějším povrchu chladničky nebo mezi dvířky a zásuvkou se hromadí vlhkost.	<ul style="list-style-type: none"> Prostředí je příliš teplé a vlhké. Dvířka nejsou těsně zavřená. Chladný vzduch ve spotřebiči a teplý vnější vzduch, dochází ke kondenzaci. 	<ul style="list-style-type: none"> Jedná se o normální jev ve vlhkém prostředí; až se sníží vlhkost, situace se změní. Ujistěte se, že dvířka/zásuvka jsou těsně zavřená.
V prostoru mrazničky je silná vrstva ledu a námrazy.	<ul style="list-style-type: none"> Potraviny nebyly náležitě zabaleny. Dvířka/zásuvka spotřebiče nejsou těsně zavřená. Dvířka/zásuvka se otvírala příliš často, nebo byla příliš dlouho otevřená. Těsnění dvířek/zásuvky je znečištěné, opotřebované, popraskané nebo nesprávně nainstalované. Něco uvnitř brání správnému zavření dvířek/zásuvky. 	<ul style="list-style-type: none"> Vždy dobře zabalte potraviny. Zavřete dvířka/zásuvku. Neotvírejte dvířka/zásuvku příliš často. Vyčistěte těsnění dvířek/zásuvky, nebo ho vyměňte za nové. Přemístěte vnitřní police, police na dvířkách nebo vnitřní nádoby, aby se mohla dvířka/zásuvka zavřít.
Boční strany skříně a lišta na dvířkách jsou teplé.	<ul style="list-style-type: none"> - 	<ul style="list-style-type: none"> Jedná se o normální jev.
Spotřebič vydává neobvyklé zvuky.	<ul style="list-style-type: none"> Spotřebič nestojí na rovné zemi. Spotřebič se dotýká nějakého předmětu v jeho okolí. 	<ul style="list-style-type: none"> Seřidte nohy, aby stál spotřebič rovně. Odstraňte předměty z okolí spotřebiče.
Ozývá se slabý zvuk podobný proudění vody.	<ul style="list-style-type: none"> - 	<ul style="list-style-type: none"> Jedná se o normální jev.

Problém	Možná příčina	Možné řešení
Ozývá se pípání alarmu.	<ul style="list-style-type: none"> Dvířka úložného prostoru chladničky jsou otevřená. 	<ul style="list-style-type: none"> Zavřete dvířka.
Ozývá se slabé hučení.	<ul style="list-style-type: none"> Protikondenzační systém je v chodu 	<ul style="list-style-type: none"> Zabraňuje kondenzaci, jedná se o normální jev
Nefunguje osvětlení interiéru nebo chladič systém.	<ul style="list-style-type: none"> Síťová zástrčka není zapojena do síťové zásuvky. Napájení nemá správné parametry. Žárovka LED je vadná. 	<ul style="list-style-type: none"> Zapojte síťovou zástrčku. Zkontrolujte přívod elektrického napájení do místnosti. Zavolejte místnímu dodavateli elektřiny! Zavolejte servis se žádostí o výměnu žárovky.

Chcete-li kontaktovat technickou pomoc, navštivte naše webové stránky:

<https://corporate.haier-europe.com/en/>

V části „Website“ zvolte značku vašeho výrobku a vaši zemi. Budete přesměrováni na konkrétní webovou stránku, kde najdete telefonní číslo a kontaktní formulář technické pomoci.

Výpadek napájení

V případě výpadku napájení by měly potraviny zůstat bezpečně v chladu po dobu asi 5 hodin. Během delšího výpadku napájení se řiďte těmito tipy, zejména v létě:

- ▶ Otvírejte dvířka/zásuvku co nejméně často.
- ▶ Během výpadku napájení nekládejte do spotřebiče další potraviny.
- ▶ Pokud je výpadek napájení oznámen předem a jeho délka překračuje 5 hodin, vyrobte trochu ledu a umístěte ho do nádoby v horní části prostoru chladničky.
- ▶ Ihned po výpadku napájení je nutné zkontrolovat potraviny.
- ▶ Vzhledem k tomu, že během výpadku napájení nebo jiné závady vzroste teplota v chladničce, doba skladování a požitelnost potravin se zkrátí. Jakékoli potraviny, které se rozmrazí, by se měly buď zkonsumovat, nebo brzy potom uvařit či upéct a znovu zmrazit (je-li to vhodné), aby se předešlo zdravotním rizikům.

Funkce paměti během výpadku napájení

Po obnovení napájení bude spotřebič pokračovat v činnosti s parametry, které byly nastaveny před výpadkem.

Vybalení



VAROVÁNÍ!

- ▶ Spotřebič je těžký. Vždy s ním manipulujte alespoň ve dvou osobách.
- ▶ Uchovávejte všechny obalové materiály mimo dosah dětí a zlikvidujte je způsobem šetrným k životnímu prostředí.
- ▶ Vyměňte spotřebič z obalu.
- ▶ Odstraňte všechny obalové materiály.

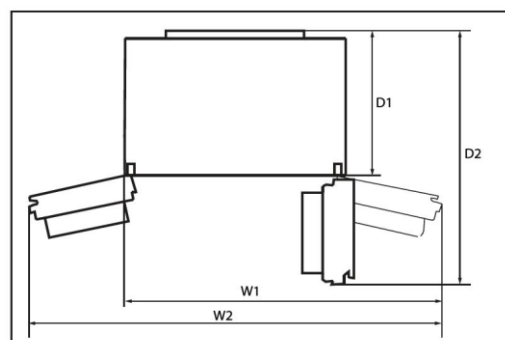
Podmínky prostředí

Pokojevá teplota by měla být vždy mezi 10 °C a 43 °C, protože může ovlivňovat teplotu uvnitř spotřebiče a jeho spotřebu energie. Bez náležité izolace neinstalujte spotřebič do blízkosti jiných spotřebičů vytvářejících teplo (trub, chladniček).

Požadavky na místo

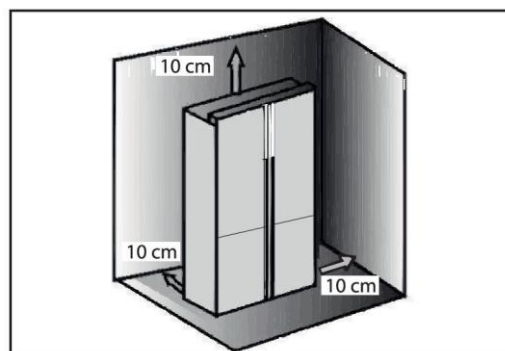
Potřebný prostor s otevřenými dvířky:

- W1 = 1076 mm
- W2 = 1360 mm
- D1 = 628 mm
- D2 = 1064 mm



Prostor pro větrání

Z bezpečnostních důvodů je nutné dodržet informace o požadovaném prostoru pro větrání, aby byl spotřebič dostatečně větraný.

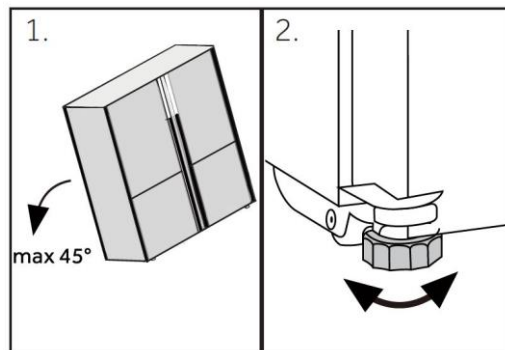


Vyrovnání spotřebiče

Spotřebič by se měl postavit na rovný a pevný povrch.

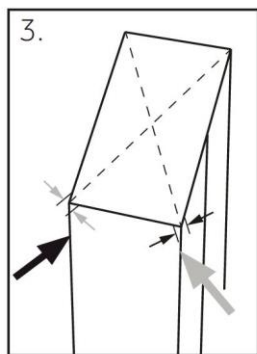
1. Nakloňte chladničku mírně dozadu.
2. Nastavte nohy na požadovanou výšku.

Ujistěte se, že vzdálenost od stěny na straně se závěsem je nejméně 10 cm, aby se mohla dvířka správně otvírat.

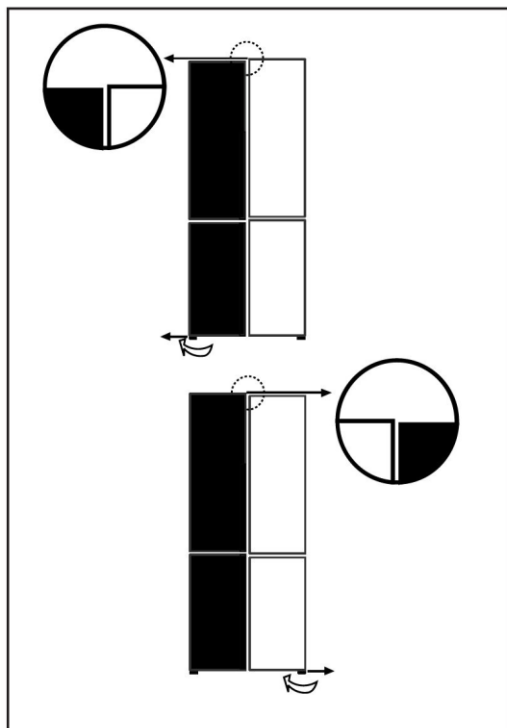


Upozornění:

Pro volně stojící spotřebič: tento chladicí spotřebič není určen k používání jako vestavný spotřebič



1. Stabilitu lze zkontrolovat střídavým kýváním po úhlopříčkách. Mírné kymácení v obou směrech by mělo být stejné. Jinak by se mohl rám zdeformovat, což by mohlo mít za následek, že těsnění dvířek nebude přiléhat. Mírný náklon dozadu usnadňuje zavírání dvířek.



Jemné nastavení dvířek

Jestliže nejsou dvířka v rovině, lze to napravit následujícím způsobem:

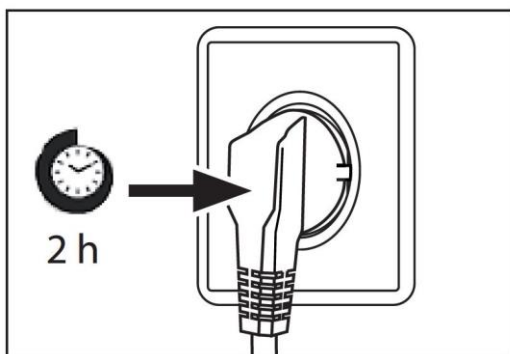
Pomocí nastavitelné nohy

Otáčením nastavitelné nohy ve směru šipky zvyšujete nebo snižujete výšku.

V případě potřeby kontaktujte poprodejní servis.

i Upozornění:

V průběhu používání chladničky může dojít k vychýlení dvířek způsobenému hmotností uložených potravin. V takovém případě je vyrovnejte výše popsanými metodami.



Doba čekání

V kapsli kompresoru se nachází bezúdržbový mazací olej. V případě naklonění během přepravy se olej může dostat do uzavřeného potrubního systému. Před připojením spotřebiče k napájení musíte počkat 2 hodiny, aby všechen olej natekl zpět do kapsle.

Připojení k elektrickému napájení

Před každým připojením zkontrolujte:

- ▶ zda napájení, zásuvka a jištění odpovídají údajům na typovém štítku.
- ▶ zda je síťová zásuvka uzemněná a nepoužívá se rozbočovací adaptér ani prodlužovací kabel.
- ▶ zda zástrčka přesně zapadne do zásuvky.


Zapojte zástrčku do náležitě nainstalované domácí zásuvky.



VAROVÁNÍ!

Aby se zamezilo rizikům, výměnu poškozeného napájecího kabelu musí provést zákaznický servis (viz záruční list).

Informační list výrobku podle nařízení EU č. 2019/2016

Značka	Haier
Název/označení modelu	HCW58F18EWMP
Kategorie modelu	Chladnička-mraznička
Třída energetické účinnosti	E
Roční spotřeba energie (kWh/rok)(1)	297
Celkový objem (l)	507
Objem chladničky (l)	321
Objem mrazicího prostoru (l)	87
Objem prostoru s nastavitelnou teplotou (l)	99
Hodnocení hvězdičkami	
Teplota ostatních prostorů > 14 °C	Neuvádí se
Systém bez námrazy	Ano
Mrazicí výkon (kg/24 h)	6
Klimatická třída (2)	SN-N-ST
Třída emisí hluku a emise hluku šířeného vzduchem (db(A) re 1 pW)	C(38)
Doba náběhu teploty (h)	9
Typ spotřebiče	volně stojící
Ostatní informace	-

Vysvětlení:

- Ano, ve výbavě

(1) Na základě výsledků zkoušky shody s normami v průběhu 24 hodin. Skutečná spotřeba je závislá na způsobu používání a umístění spotřebiče.

(2) Klimatická třída SN: Tento spotřebič je určen k používání při teplotě okolí mezi +10 °C a +32°C

Klimatická třída N: Tento spotřebič je určen k používání při teplotě okolí mezi +16 °C a +32°C

Klimatická třída ST: Tento spotřebič je určen k používání při teplotě okolí mezi +16 °C a +38°C

Klimatická třída T: Tento spotřebič je určen k používání při teplotě okolí mezi +16 °C a +43°C

Další technické údaje

Napětí/frekvence	220–240 V~/50 Hz
Vstupní proud (A)	1.5
Hlavní pojistka (A)	16
Chladivo	R600a
Rozměry (V/Š/H v mm)	1775 / 830 / 705

Doporučujeme využívat zákaznický servis společnosti Haier a používat originální náhradní díly. V případě nějakého problému se spotřebičem si nejprve přečtete část ŘEŠENÍ PROBLÉMŮ.

Pokud v ní nenajdete řešení, kontaktujte

- ▶ místního prodejce nebo
- ▶ naše Evropské středisko telefonické podpory (viz telefonní čísla uvedená níže) nebo
- ▶ část Servis a podpora na stránkách www.haier.com, kde můžete aktivovat požadavek na servis
- ▶ a kde najdete také časté dotazy.

Chcete-li kontaktovat náš servis, ujistěte se, že máte k dispozici následující údaje. Tyto údaje lze najít na typovém štítku.

Model _____

Sériové č. _____

V případě záruky se také podívejte do záručního listu dodaného s výrobkem.

Evropské středisko telefonické podpory		
Země*	Telefonní číslo	Ceny
Haier Italy (IT)	199 100 912	
Haier Spain (ES)	902 509 123	
Haier Germany (DE)	0180 5 39 39 99	<ul style="list-style-type: none">• 14 ct/min pevná linka• max. 42 ct/min mobil
Haier Austria (AT)	0820 001 205	<ul style="list-style-type: none">• 14,53 ct/min pevná linka• max. 20 ct/min vše ostatní
Haier United Kingdom (UK)	0333 003 8122	
Haier France (FR)	0980 406 409	

* Údaje o ostatních zemích najdete na www.haier.com

Haier Europe Trading S.r.l

Branch UK

Westgate House, Westgate, Ealing

London, W5 1YY

*Doba záruky chladničky:

Minimální záruka: 2 roky pro země EU, 3 roky pro Turecko, 1 rok pro Spojené království, 1 rok pro Rusko, 3 roky pro Švédsko, 2 roky pro Srbsko, 5 let pro Norsko, 1 rok pro Maroko, 6 měsíců pro Alžírsko, Tunisko nevyžaduje žádnou zákonnou záruku.

*Doba dostupnosti náhradních dílů pro opravu spotřebiče:

Termostaty, snímače teploty, desky s plošnými spoji a světelné zdroje budou k dispozici po dobu nejméně sedmi let od uvedení posledního modelu spotřebiče na trh.

Madla dvířek, závěsy dvířek, přihrádky a koše budou k dispozici po dobu nejméně sedmi let a těsnění dvířek po dobu nejméně deseti let od uvedení posledního modelu spotřebiče na trh.

*Chcete-li další informace o výrobku, navštivte stránky <https://eprel.ec.europa.eu/> nebo naskenujte kód QR na energetickém štítku dodaném se spotřebičem.

Verze B 2022

Haier Smart Home Co.,Ltd.
No.1 Haier Road,Haier Industry Park,Hi-Tech Zone,
266103 Qingdao,Shandong,China
MADE IN CHINA

Haier



0060535245



Benutzerhandbuch

Kühl-Gefrierkombination

HCW58F18EWMP

DE

Haier

Vielen Dank für den Kauf eines Haier-Produkts.

Bitte lesen Sie diese Anweisungen sorgfältig durch, bevor Sie dieses Gerät benutzen. Die Anleitung enthält wichtige Informationen, die Ihnen helfen, das Gerät optimal zu nutzen und eine sichere und ordnungsgemäße Installation, Verwendung und Wartung zu gewährleisten.

Bewahren Sie diese Anleitung an einem geeigneten Ort auf, damit Sie jederzeit für die sichere und ordnungsgemäße Verwendung des Geräts darauf zurückgreifen können.

Wenn Sie das Gerät verkaufen, weggeben oder bei einem Umzug zurücklassen, vergewissern Sie sich, dass diese Anleitung auch beigelegt wird, damit sich der neue Besitzer mit dem Gerät und den Sicherheitshinweisen vertraut machen kann.

Legende



Warnung - Wichtige Sicherheitsinformationen



Allgemeine Informationen und Tipps



Umweltinformationen

Entsorgung



Tragen Sie zum Schutz der Umwelt und der menschlichen Gesundheit bei. Die Verpackung zum Recyceln in die entsprechenden Behälter entsorgen. Unterstützen Sie das Recycling von Elektro- und Elektronik-Altgeräten. Entsorgen Sie Geräte, die mit diesem Symbol gekennzeichnet sind, nicht mit dem Hausmüll. Geben Sie das Produkt an Ihre lokale Recyclinganlage zurück oder wenden Sie sich an Ihre Stadtverwaltung.



WARNUNG!

Verletzungs- oder Erstickungsgefahr!

Kältemittel und Gase müssen fachgerecht entsorgt werden. Überprüfen Sie, dass der Schlauch des Kühlkreislaufs nicht beschädigt wird, bevor er ordnungsgemäß entsorgt wird. Trennen Sie das Gerät von der Stromversorgung. Trennen Sie das Netzkabel und entsorgen Sie es. Entfernen Sie die Bleche und Schubladen sowie die Türöffnung und Dichtungen, um zu verhindern, dass Kinder und Haustiere im Gerät eingeschlossen werden.

Sicherheitsinformationen	4
Produktbeschreibung	10
Bedienfeld	11
Nutzung	12
Ausstattung	26
Pflege und Reinigung	29
Fehlerbehebung	32
Installation	35
Technische Daten	38
Kundenservice	40

Zubehör

Überprüfen Sie Zubehör und Dokumentation gemäß dieser Liste:



Eismaschine mit
Eisportionierer



3 Abstandshalter



Energie-
Kennzeichnung



Garantiekarte



Benutzerhandbuch
„OK“-Aufkleber
Benutzerhandbuch

Hinweis: Nur für das Modell HCW58F18EWMP

Lesen Sie vor dem ersten Einschalten des Geräts folgende Sicherheitshinweise:



WARNUNG!

Vor der ersten Inbetriebnahme

- ▶ Vergewissern Sie sich, dass keine Transportschäden vorliegen.
- ▶ Entfernen Sie alle Verpackungsteile und bewahren Sie sie außerhalb der Reichweite von Kindern auf.
- ▶ Warten Sie vor dem Einschalten des Geräts mindestens zwei Stunden, damit der Kühlkreislauf auch sicher und effektiv arbeitet.
- ▶ Das Gerät immer mit mindestens zwei Personen transportieren, da es schwer ist.

Installation

- ▶ Das Gerät sollte an einem gut belüfteten Ort aufgestellt werden. Idealerweise müssen mindestens 10 cm rund um das Gerät frei bleiben.
- ▶ Stellen Sie das Gerät niemals in einem feuchten Bereich oder an einem Ort auf, wo es mit Wasser nassgespritzt werden könnte. Reinigen Sie Wasserspritzer und Flecken mit einem weichen, sauberen Tuch.
- ▶ Stellen Sie das Gerät nicht in direktem Sonnenlicht oder in der Nähe von Hitzequellen (z. B. Herden, Heizungen) auf.
- ▶ Installieren und richten Sie das Gerät in einem Bereich ein, der für seine Größe und Verwendung geeignet ist.
- ▶ **WARNUNG:** Lüftungsschlitze am Gerät oder in der Einbaustruktur freihalten.
- ▶ Stellen Sie sicher, dass die elektrischen Informationen auf dem Typenschild der Stromversorgung entsprechen. Ist dies nicht der Fall, wenden Sie sich an einen Elektriker.
- ▶ Das Gerät wird über eine 220-240 V Wechselspannung/50 Hz betrieben. Unnormale Spannungsschwankungen könnten dazu führen, dass das Gerät nicht angeht, der Temperaturregler oder Kompressor beschädigt wird, oder dass während des Betriebs ein unnormales Geräusch auftritt. In einem solchen Fall ist ein automatischer Regler anzubringen.
- ▶ Verwenden Sie keine Mehrfachsteckadapter und Verlängerungskabel.
- ▶ **WARNUNG:** Keine Mehrfachsteckdosen oder Verlängerungen hinter dem Gerät platzieren.
- ▶ **WARNUNG:** Beim Aufstellen des Geräts darauf achten, dass das Stromkabel nicht eingeklemmt oder beschädigt wird.
- ▶ Nicht auf das Netzkabel treten.
- ▶ Verwenden Sie eine separate, geerdete Steckdose für eine leicht zugängliche Stromversorgung. Das Gerät muss geerdet werden.

**WARNUNG!**

- ▶ **Nur für Großbritannien:** Das Gerätenetzkabel ist mit einem 3-adrigen Stecker (Erdungsstecker) ausgestattet, der in eine 3-adrige Norm-Buchse (geerdet) passt. Den dritten Stift (Erdung) auf keinen Fall kappen oder entfernen. Das Gerät muss so installiert werden, dass der Stecker erreichbar ist.
- ▶ **WARNUNG:** Den Kühlkreislauf nicht beschädigen.
- Täglicher Gebrauch**
- ▶ Dieses Gerät kann von Kindern ab 8 Jahren und Personen mit eingeschränkten körperlichen, sensorischen oder geistigen Fähigkeiten oder mangelnder Erfahrung und mangelndem Wissen benutzt werden, wenn diese in die sichere Bedienung des Geräts eingewiesen wurden oder beaufsichtigt werden und die damit verbundenen Gefahren verstanden haben.
- ▶ Kinder dürfen nicht mit dem Gerät spielen.
- ▶ Kinder im Alter von 3 bis 8 Jahren dürfen Kühlgeräte be- und entladen, aber die Kühlgeräte nicht reinigen und installieren.
- ▶ Kinder unter 3 Jahren vom Gerät fernhalten, es sei denn, sie werden ständig beaufsichtigt.
- ▶ Reinigung und Pflege darf nicht von Kindern ohne Aufsicht erfolgen.
- ▶ Das Gerät sollte so positioniert sein, dass der Stecker frei zugänglich ist.
- ▶ Wenn Kohlegas oder ein anderes brennbares Gas in die Nähe des Geräts gelangt, drehen Sie das Ventil des austretenden Gases ab, öffnen Sie die Türen und Fenster und ziehen Sie nicht den Netzstecker des Kühlschranks/Gefrierschranks oder eines anderen Haushaltsgeräts.
- ▶ Beachten Sie, dass das Gerät für den Betrieb bei einer bestimmten Umgebungstemperatur zwischen 10 und 38°C eingestellt ist. Das Gerät funktioniert möglicherweise nicht ordnungsgemäß, wenn es über einen längeren Zeitraum bei einer Temperatur oberhalb oder unterhalb des angegebenen Bereichs betrieben wird.
- ▶ Stellen Sie keine instabilen Gegenstände (schwere Gegenstände, mit Wasser gefüllte Behälter) auf den Kühl-/Gefrierschrank, um Verletzungen durch Herunterfallen oder Stromschläge durch Kontakt mit Wasser zu vermeiden.
- ▶ Ziehen Sie nicht an den Türfächern. Die Tür kann schief verzogen werden, das Flaschenregal kann herausgezogen werden, oder das Gerät kann umkippen.
- ▶ Die Tür nur mit den Griffen öffnen und schließen. Der Spalt zwischen Tür und Schrank ist sehr schmal. Stecken Sie nicht Ihre Hände in diese Bereiche, um zu vermeiden, dass Sie Ihre Finger eingeklemmt werden. Die Kühl-/Gefrierschrantüren nur dann öffnen oder schließen, wenn keine Kinder im Bewegungsbereich der Tür stehen.



WARNUNG!

- ▶ Um eine Verunreinigung der Lebensmittel zu vermeiden, beachten Sie die folgenden Hinweise:
- ▶ – Das längere Öffnen der Tür kann zu einem bedeutenden Temperaturanstieg in den Kühlfächern des Geräts führen.
- ▶ – Die mit den Lebensmitteln in Berührung kommenden Oberflächen und zugänglichen Ablaufsysteme müssen regelmäßig gereinigt werden.
- ▶ – Reinigen Sie die Wassertanks, wenn sie 48 Stunden lang nicht benutzt wurden. Spülen Sie den an eine Wasserleitung angeschlossenen Wasserkreislauf, wenn fünf Tage lang kein Wasser entnommen wurde.
- ▶ – Bewahren Sie rohes Fleisch und Fisch in geeigneten Behältern im Kühlschrank auf, damit es nicht mit anderen Lebensmitteln in Berührung kommt oder Flüssigkeit auf diese tropft.
- ▶ – Zwei-Sterne-Gefrierfächer eignen sich zur Aufbewahrung von vorgefrorenen Lebensmitteln, zur Lagerung oder Herstellung von Speiseeis und zur Herstellung von Eiswürfeln.
- ▶ – Ein-, Zwei- und Drei-Sterne-Fächer sind nicht zum Einfrieren von frischen Lebensmitteln geeignet.
- ▶ – Wenn das Kühlgerät längere Zeit leer bleibt, schalten Sie es aus, tauen Sie es ab, reinigen und trocknen Sie es, und lassen Sie die Tür offen, um zu verhindern, dass sich im Innenraum Schimmel bildet.
- ▶ Lagern Sie niemals Flaschenbier, Getränke oder Flüssigkeiten in Flaschen oder Dosen (außer hochprozentige Spirituosen), insbesondere kohlenstoffhaltige Getränke, im Gefrierschrank, da diese beim Einfrieren platzen können.
- ▶ Keine explosiven Substanzen mit entzündlichen Treibgasen, wie Sprühdosen, in diesem Gerät lagern.
- ▶ Keine Arzneimittel, Bakterien oder Chemikalien im Gerät lagern. Dieses Gerät ist ein Haushaltsgerät. Es wird davon abgeraten, Materialien zu lagern, die genaue Temperaturen erfordern.
- ▶ Überprüfen Sie den Zustand der Lebensmittel, wenn die Temperatur im Gefrierschrank angestiegen ist.
- ▶ Keine unnötig niedrigen Temperaturen im Kühlschrank einstellen. Bei hohen Einstellungen kann es zu Mindertemperaturen kommen. Achtung: Flaschen können platzen
- ▶ Berühren Sie Gefriergut nicht mit nassen Händen (Handschuhe tragen). Verzehren Sie insbesondere Eis am Stiel nicht sofort nach der Entnahme aus dem Gefrierfach. Es besteht die Gefahr des Erfrierens oder der Bildung von Frostblasen an Mund und Zunge. ERSTE HILFE: Sofort unter fließend kaltes Wasser halten. Nicht mit Gewalt abziehen!
- ▶ Berühren Sie nicht die Innenfläche des Gefrierschranks, insbesondere nicht mit nassen Händen, da Ihre Hände an der Oberfläche festfrieren könnten.

**WARNUNG!**

- ▶ Ziehen Sie den Gerätestecker aus der Steckdose, falls die Stromversorgung unterbrochen wird oder bevor Sie das Gerät reinigen. Warten Sie vor dem Neustart mindestens 7 Minuten, da durch häufiges Einschalten der Kompressor beschädigt werden kann.
- ▶ **WARNUNG:** Im Inneren des Haushaltsgeräts keine elektrischen Geräte benutzen, es sei denn, sie sind vom Hersteller empfohlen.

Wartung / Reinigung

- ▶ Kinder müssen beaufsichtigt werden, wenn sie das Gerät reinigen und warten.
- ▶ Trennen Sie das Gerät von der Stromversorgung, bevor Sie eine routinemäßige Wartung durchführen. Warten Sie vor dem Neustart mindestens 5 Minuten, da durch häufiges Einschalten der Kompressor beschädigt werden kann.
- ▶ Fassen Sie beim Herausziehen des Gerätesteckers aus der Steckdose, den Stecker und nicht das Kabel an.
- ▶ Reinigen Sie das Gerät nicht mit harten Bürsten, Drahtbürsten, Reinigungspulver, Benzin, Amylacetat, Aceton und ähnlichen organischen Lösungen, Säure oder Alkalilösungen. Reinigen Sie das Gerät mit einem speziellen Reinigungsmittel für Kühl-/Gefriergeräte, um Beschädigungen zu vermeiden. Verwenden Sie ggf. warmes Wasser und eine Natronlösung - etwa einen Esslöffel Backnatron auf einen Liter/Viertel Wasser. Gründlich mit Wasser abspülen und trocken reiben. Verwenden Sie keine Reinigungspulver oder andere Scheuermittel. Spülen Sie herausnehmbare Teile nicht in der Geschirrspülmaschine.
- ▶ Kratzen Sie Frost und Eis nicht mit scharfkantigen Gegenständen ab. Verwenden Sie keine Sprays, elektrische Heizgeräte, Haartrockner zum Abtauen oder Dampfreiniger im Gerät, um Beschädigungen der Kunststoffteile zu vermeiden.
- ▶ **WARNUNG:** Keine mechanischen oder sonstigen Hilfsmittel verwenden, um den Abtauvorgang zu beschleunigen, es sei denn, dies ist vom Hersteller so empfohlen.
- ▶ Wenn das Stromkabel beschädigt ist, muss es vom Hersteller oder von seinem Service-Mitarbeiter, oder einer gleichwertig qualifizierten Person ausgetauscht werden, um jegliches Risiko zu vermeiden.
- ▶ Versuchen Sie nicht, das Gerät selbst zu reparieren, zu zerlegen oder zu verändern. Bei Reparaturen wenden Sie sich bitte an unseren Kundenservice.
- ▶ Wenn die Lampen beschädigt sind, müssen sie vom Hersteller, von seinem Service-Mitarbeiter, oder einer gleichwertig qualifizierten Person ausgetauscht werden, um jegliches Risiko zu vermeiden.



WARNUNG!

- ▶ Entfernen Sie den Staub auf der Geräterückseite mindestens einmal im Jahr, um Brandgefahr und einen erhöhten Energieverbrauch zu vermeiden.
- ▶ Das Gerät während der Reinigung nicht besprühen oder mit Wasser beschütten.
- ▶ Das Gerät nicht mit Wasser besprühen oder mit Dampf reinigen.
- ▶ Die kalten Einlegeböden aus Glas oder die Glastüre nicht mit heißem Wasser reinigen. Plötzliche Temperaturschwankungen können dazu führen, dass das Glas zerspringt.
- ▶ Wenn Sie das Gerät längere Zeit nicht benutzen, lassen Sie es offen, um zu verhindern, dass sich unangenehme Gerüche im Inneren bilden.

Information zu Kältemittelgas



WARNUNG!

Das Gerät enthält das entzündliche Kältemittel ISOBUTAN (R600a). Stellen Sie sicher, dass der Kühlkreislauf während des Transports oder der Installation nicht beschädigt wird. Auslaufendes Kältemittel kann Augenverletzungen verursachen oder sich entzünden. Falls Schäden aufgetreten sind, halten Sie sich von offenen Brandquellen fern, lüften Sie den Raum gründlich, stecken Sie die Netzkabel des Geräts oder eines anderen Geräts **nicht** ein oder aus. Informieren Sie den Kundendienst.

Falls die Augen mit dem Kältemittel in Kontakt kommen, sofort unter fließendem Wasser ausspülen und den Augenarzt verständigen.

WARNUNG: Das Kühlsystem steht unter hohem Druck. Nicht daran manipulieren. Da entzündliche Kältemittel verwendet werden, bitte das Gerät entsprechend der Anweisung installieren, handhaben und warten. Wenden Sie sich an den Fachtechniker oder unseren Kundenservice, um das Gerät zu entsorgen.



WARNUNG!

Bei Kühlschränken mit Eis-Wasser-Funktion beachten Sie bitte den folgenden Warnhinweis:

Für Geräte, die nicht an die Wasserversorgung angeschlossen werden sollen:

WARNUNG: Nur mit Trinkwasser füllen.

Für Geräte, die an die Wasserversorgung angeschlossen werden sollen:

WARNUNG: Nur an die Trinkwasserversorgung anschließen.

Wenn Sie das Wassersystem reinigen möchten, lesen Sie zuerst im Benutzerhandbuch nach. Wenn Sie Fragen haben, wenden Sie sich an den Kundenservice.

Bestimmungsgemäße Verwendung

Dieses Gerät ist zum Kühlen und Gefrieren von Lebensmitteln bestimmt. Es ist ausschließlich für den Einsatz in Haushalten und ähnlichen Bereichen konzipiert, wie z. B. in Personalküchen in Geschäften, Büros und anderen Arbeitsumgebungen, auf Bauernhöfen und in Hotels, Motels und anderen wohnähnlichen Umgebungen sowie im Bed-and-Breakfasts und fürs Catering. Das Gerät ist nicht für die kommerzielle oder industrielle Nutzung bestimmt.

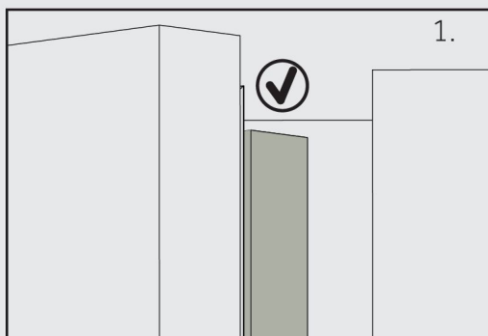
Änderungen oder Anpassungen am Gerät sind nicht erlaubt. Eine unsachgemäße Verwendung kann zu Gefahren und zum Verlust von Garantieansprüchen führen.

Normen, Richtlinien und

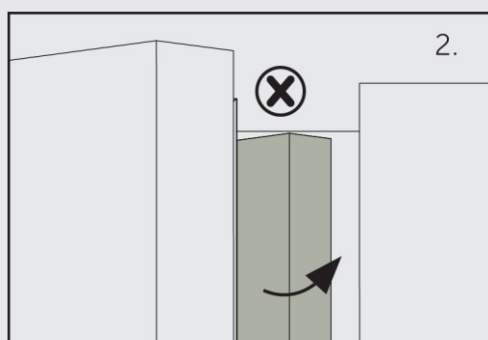
Dieses Produkt erfüllt die Anforderungen aller geltenden EG-Richtlinien mit den entsprechenden harmonisierten Normen und Standards Großbritanniens, die eine CE- und UKCA-Kennzeichnung vorsehen.



VORSICHT!



Beim Schließen der Türe sollte die vertikale Türleiste an der linken Kühlschranktür nach innen gebogen sein (1).



Wenn Sie versuchen, die linke Tür zu schließen und die vertikale Türleiste nicht gebogen (2), sollten Sie sie zuerst zurechtbiegen, da sie sonst gegen die Befestigung oder die rechte Tür stößt. Dadurch kommt es zu einer Beschädigung des Türanschlags oder zu einer Undichtigkeit.

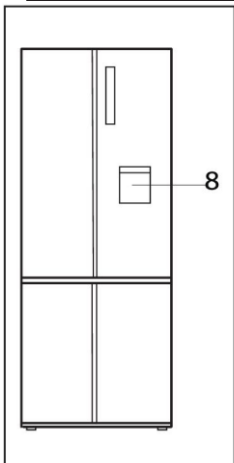
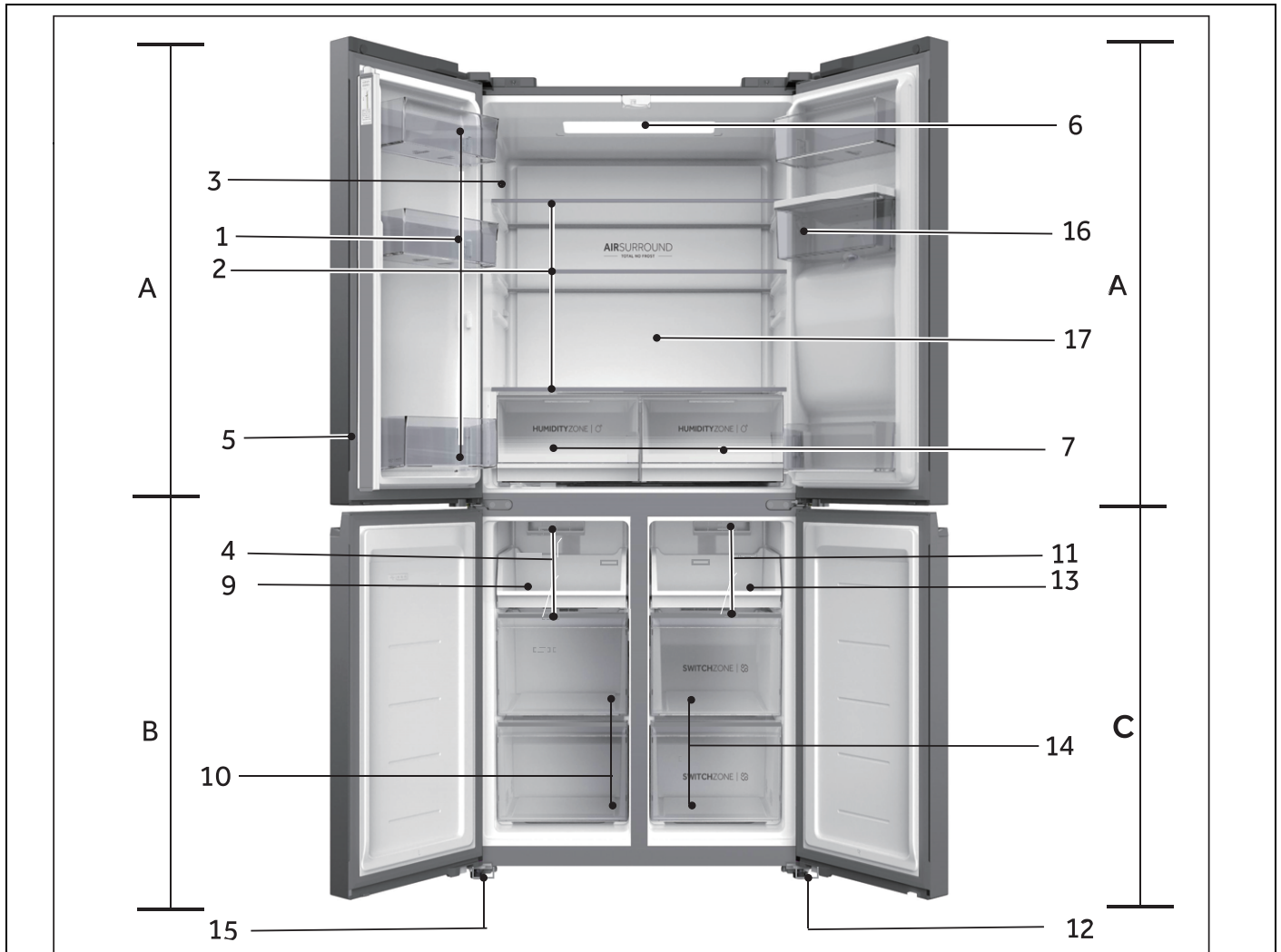
Im Inneren des Rahmens befindet sich ein Heizfaden. Die Temperatur der Oberfläche steigt ein wenig an, was normal ist und die Funktion des Geräts nicht beeinträchtigt.



Hinweis

Aufgrund von technischen Änderungen und unterschiedlichen Modellen können einige der Abbildungen in dieser Anleitung von Ihrem Modell abweichen.

Modell (HCW58F18EWMP)



A: Kühlfach des Kühlschranks

- 1 Türfach
- 2 Regalfläche
- 3 Typenschild
- 5 Türleiste
- 6 Deckenleuchte
- 7 Humidity Zone-Schublade
- 8 Wasserspender
- 16 Wassertank
- 17 Luftkanal

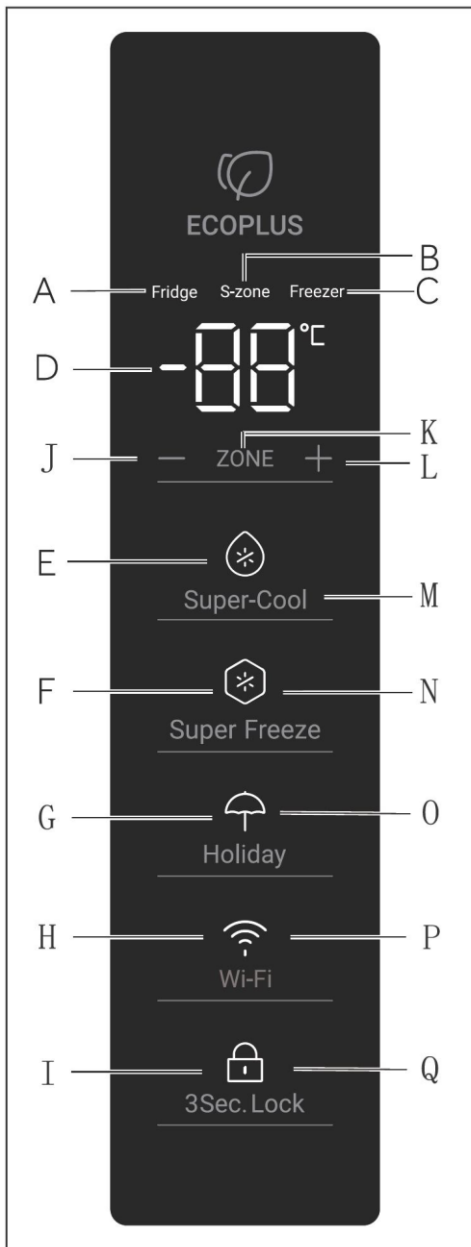
B: Gefrierfach

- 4 Luftkanal
- 9 Ablagefach
- 10 Schublade
- 15 Verstellbare Füße

C: Switch Zone-Fach

- 11 Luftkanal
- 12 Verstellbare Füße
- 13 Ablagefach
- 14 Switch Zone Ablageschublade

Bedienfeld (HCW58F18EWMP)



Anzeige:

- A Kühlfach
- B Switch Zone
- C Gefrierfach
- D Temperaturanzeige
- E Funktion „Super Cool“
- F Super Freeze-Funktion
- G Holiday-Modus
- H WLAN-Funktion
- I Bedienfeldsperre

Tasten:

- J Temperaturkontrolle „-“
- K Auswahl der Abteile
- L Temperaturkontrolle „+“
- M Super Cool-Funktionsauswahl
- N Super Freeze-Funktionsauswahl
- O Holiday-Modus-Funktionsauswahl
- P WLAN-Funktion ein/aus
- Q Auswahl Bedienfeldsperre

Vor der ersten Inbetriebnahme

- ▶ Entfernen Sie sämtliches Verpackungsmaterial, bewahren Sie es außerhalb der Reichweite von Kindern auf und entsorgen Sie es umweltfreundlich.
- ▶ Reinigen Sie das Gerät innen und außen mit Wasser und einem milden Reinigungsmittel, bevor Sie Lebensmittel hineinlegen.
- ▶ Warten Sie nach dem Nivellieren und Reinigen mindestens 2-5 Stunden, bevor Sie das Gerät an die Stromversorgung anschließen. Siehe Abschnitt INSTALLATION.
- ▶ Kühlen Sie die Fächer auf hoher Stufe vor, bevor Sie die Lebensmittel einlegen. Die Power-Freeze-Funktion sorgt für eine schnelle Abkühlung des Gefrierfachs.
- ▶ Die Temperaturen des Kühl-, Gefrierschranks und der Switch Zone werden automatisch auf 5°C, -18°C bzw. -18°C eingestellt. Dies sind die empfohlenen Einstellungen. Falls gewünscht, können Sie diese Temperatur manuell ändern. Siehe EINSTELLEN DER TEMPERATUR.

Sensortasten

Die Tasten auf dem Bedienfeld sind Sensortasten, die schon bei leichter Berührung mit dem Finger ansprechen.

Gerät ein-/ausschalten

Das Gerät ist sofort in Betrieb, wenn es an die Stromversorgung angeschlossen wird. Wenn der Kühlschrank zum ersten Mal eingeschaltet wird, leuchtet die Anzeige „D“ (Temperaturanzeige) auf. Die Temperaturen des Kühl-, Gefrierschranks und der Switch Zone werden automatisch auf 5°C, -18°C bzw. -18°C eingestellt.

Vielleicht ist die Bedienfeldsperre aktiv.



Hinweis

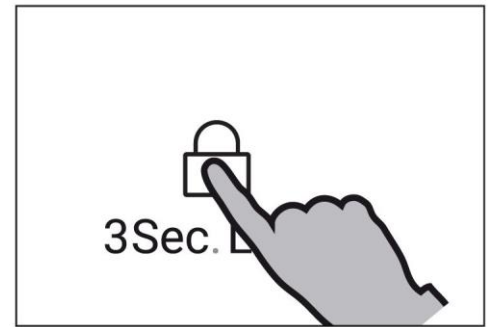
Das Gerät ist auf die empfohlene Temperatur von 5°C (Kühlschrank), -18°C (Switch Zone) und -18°C (Gefrierschrank) voreingestellt. Unter normalen Umgebungsbedingungen müssen Sie keine Temperatur einstellen.

Wenn das Gerät, nachdem es von der Hauptstromversorgung getrennt wurde, eingeschaltet wird, kann es bis zu 12 Stunden dauern, bis die richtigen Temperaturen erreicht sind.

Räumen Sie das Gerät vor dem Ausschalten aus. Schalten Sie das Gerät aus, indem Sie den Netzstecker aus der Steckdose ziehen.

Bedienfeld verriegeln/entsperren

Der Anzeigebildschirm schaltet sich automatisch 30 Sekunden nach dem Drücken einer Taste aus. Das Display wird automatisch gesperrt. Es leuchtet automatisch auf, wenn eine beliebige Taste gedrückt oder eine Tür geöffnet wird.



Hinweis

Kühlschranktemperatur, Switch Zone-Temperatur, Gefrierschranktemperatur, Super Cool-Funktion, Super Freeze-Funktion, Holiday-Modus und WLAN-Funktion können bei gesperrtem Display nicht eingestellt werden.

Standby-Modus

Der Bildschirm schaltet sich 30 Sekunden nach dem Drücken einer Taste automatisch aus. Das Display wird automatisch gesperrt. Es leuchtet automatisch auf, wenn Sie eine beliebige Taste berühren oder die Tür öffnen. (Der Alarm leuchtet nicht auf dem Display auf).

Manueller Einstellmodus

Wenn Sie die Temperatur des Geräts manuell einstellen möchten, können Sie die Taste zur Temperatureinstellung betätigen (siehe EINSTELLEN DER TEMPERATUR).

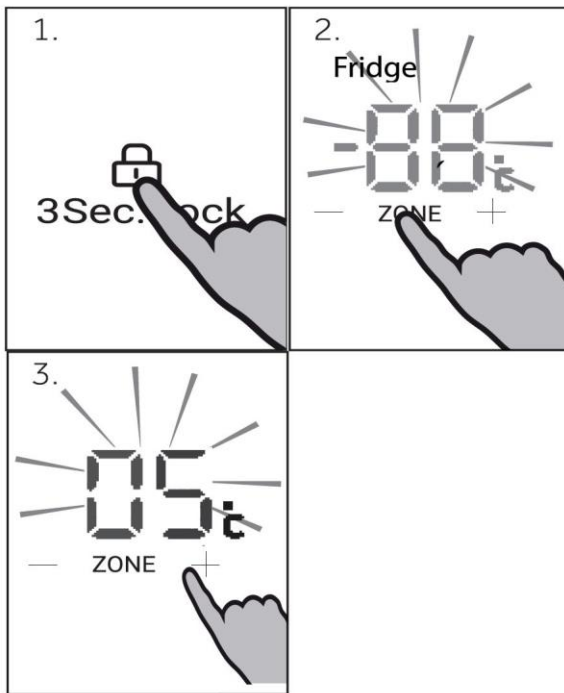
Einstellen der Temperatur

Die Innentemperaturen werden durch folgende Faktoren beeinflusst:

- ▶ Umgebungstemperatur
- ▶ Häufigkeit der Türöffnung
- ▶ Menge der gelagerten Lebensmittel
- ▶ Geräteinstallation

Türalarm

Der Türalarm wird ausgelöst, wenn die Tür längere Zeit geöffnet oder nicht richtig geschlossen ist, und erinnert daran, die Türe zu schließen.



Einstellen der Temperatur für den Kühlschrank

Entsperren Sie die Einstellungen durch dreisekündiges Drücken der Taste „Q“.

Drücken Sie im entsperrten Zustand die Taste „K“ (Fachauswahl), um zwischen den Kühleinheiten zu wechseln. Wenn die Anzeige „A“ (Kühlschrankanzeige) aufleuchtet, drücken Sie Taste „J“ (Temperaturregelung) oder Taste „L“ (Temperaturregelung „+“), um die Temperatur im Kühlfach einzustellen. Der in Anzeige „D“ angezeigte Wert sinkt jedes Mal, wenn Taste „J“ gedrückt wird, um 1°C.

Die Anzeige blinkt und leuchtet mit der eingestellten Temperatur und erlischt nach einigen Sekunden. Der in Anzeige „D“ angezeigte Wert steigt jedes Mal, wenn Taste „L“ gedrückt wird, um 1°C. Die Anzeige blinkt und leuchtet mit der eingestellten Temperatur und erlischt nach einigen Sekunden. Die Temperatur des Kühlfachs kann in 1°C-Grad-Schritten von 1°C bis 9°C eingestellt werden.



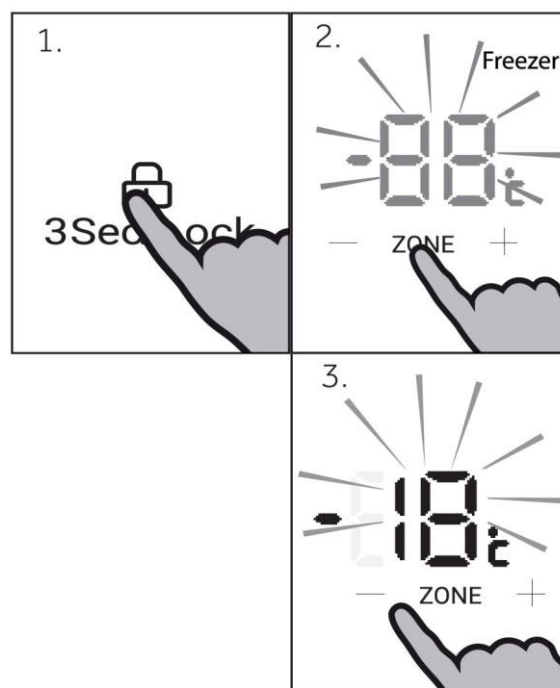
Hinweis

Die Kühlschranktemperatur kann nicht eingestellt werden, während Super Cool, Holiday-Modus und Displaysperre aktiv sind.

Einstellen der Temperatur für den Gefrierschrank

Entsperren Sie die Einstellungen durch dreisekündiges Drücken der Taste „Q“.

Drücken Sie im entsperrten Zustand die Taste „K“ (Fachauswahl), um zwischen den Kühleinheiten zu wechseln. Wenn die Anzeige „C“ (Gefrierschrankanzeige) aufleuchtet, drücken Sie Taste „J“ (Temperaturregelung „-“) oder Taste „L“ (Temperaturregelung „+“), um die Temperatur im Gefrierfach einzustellen. Der in Anzeige „D“ angezeigte Wert sinkt jedes Mal, wenn Taste „J“ gedrückt wird, um 1°C. Die Anzeige blinkt und leuchtet mit der eingestellten Temperatur und erlischt nach einigen Sekunden. Der in Anzeige „D“ angezeigte Wert steigt jedes Mal, wenn Taste „L“ gedrückt wird, um 1°C. Die Anzeige blinkt und leuchtet mit der eingestellten Temperatur und erlischt nach einigen Sekunden. Die Temperatur des Gefrierfachs kann in 1°C-Grad-Schritten von -14°C bis -24°C eingestellt werden.



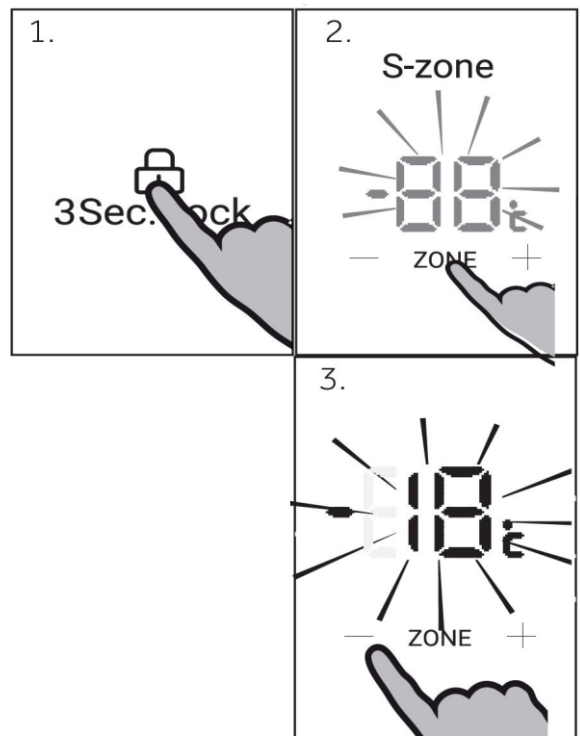
Hinweis

Die Gefrierschranktemperatur kann nicht eingestellt werden, während Super Freeze und Display-Sperre aktiv sind.

Einstellen der Temperatur in der Switch Zone

Entsperren Sie die Einstellungen durch dreisekündiges Drücken der Taste „Q“.

Drücken Sie im entsperrten Zustand die Taste „K“ (Fachauswahl), um zwischen den Kühleinheiten zu wechseln. Wenn die Anzeige „B“ (Anzeige Switch Zone) aufleuchtet, drücken Sie Taste „J“ (Temperaturregelung „-“) oder Taste „L“ (Temperaturregelung „+“), um die Temperatur in der Switch Zone einzustellen. Der in Anzeige „D“ angezeigte Wert sinkt jedes Mal, wenn Taste „J“ gedrückt wird, um 1°C. Die Anzeige blinkt und leuchtet mit der eingestellten Temperatur und erlischt nach einigen Sekunden. Der in Anzeige „D“ angezeigte Wert steigt jedes Mal, wenn Taste „L“ gedrückt wird, um 1°C. Die Anzeige blinkt und leuchtet mit der eingestellten Temperatur und erlischt nach einigen Sekunden. Die Temperatur der Switch Zone kann in 1°C-Grad-Schritten von 5°C bis -18°C eingestellt werden.



Hinweis

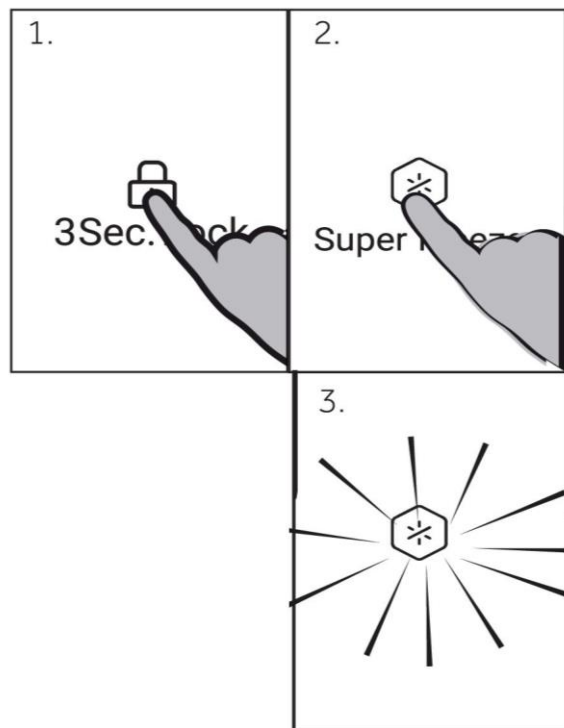
Die Temperatur der Switch Zone kann nicht eingestellt werden, wenn das Display gesperrt ist.

Super Freeze-Funktion

Mit Super Freeze können frische Lebensmittel schneller bis zum Kern tiefgefroren werden. Dadurch bleiben die Nährwerte, das Aussehen und der Geschmack der Lebensmittel erhalten. Wenn Sie einmal eine große Menge an Lebensmitteln einfrieren müssen, empfiehlt es sich, die Super Freeze-Funktion im Gefrierschrank bereits 24 Stunden vorher zu aktivieren.

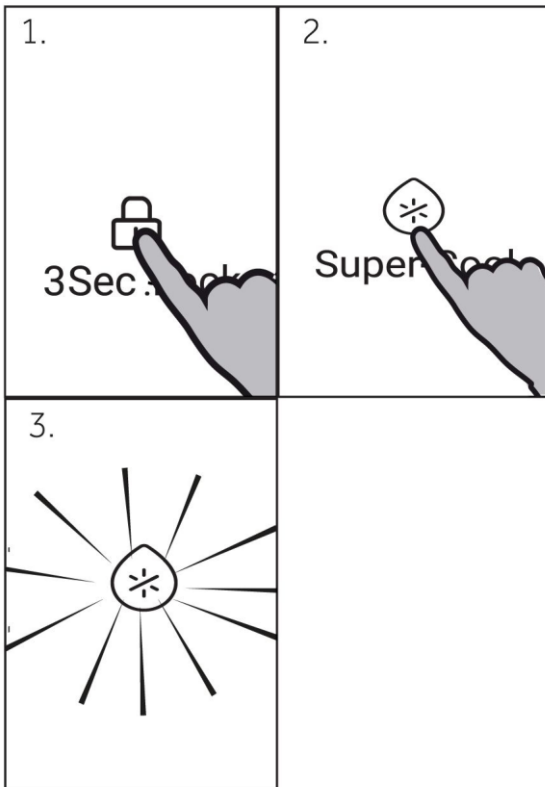
Entsperren Sie die Einstellungen durch dreisekündiges Drücken der Taste „Q“.

Drücken Sie auf dem entsperrten Display „N“ (Funktionsauswahl Super Freeze). Die Anzeige „F“ (Super Freeze) leuchtet auf und das Gerät geht in den Super Freeze-Modus über. Das Produkt verlässt den Super Freeze-Modus automatisch nach 50 Stunden Aktivierung. Um den Super Freeze-Modus manuell zu beenden, drücken Sie auf dem entsperrten Display Taste „N“ (Funktionsauswahl Super Freeze). Die Anzeige „F“ (Super Freeze) erlischt und das Gerät verlässt den Super Freeze-Modus.



Hinweis

Im Super Freeze-Modus sind die Tasten „J“ (Temperaturregler „-“) und „L“ (Temperaturregler „+“) gesperrt, wenn das Gefrierfach ausgewählt ist, und die Temperatur im Gefrierfach kann nicht eingestellt werden.



Funktion „Super Cool“

Wenn Sie die Lebensmittel nach dem Einlegen in das Kühlfach schnell abkühlen möchten, können Sie die Funktion Super Cool aktivieren.

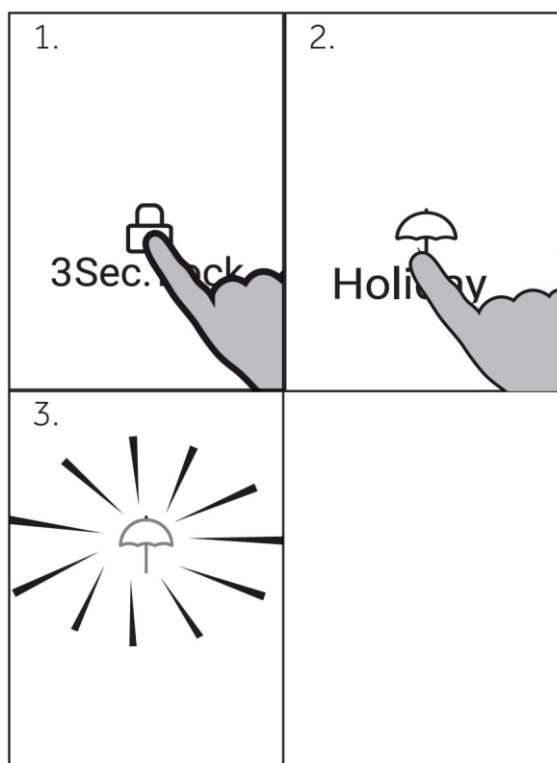
Entsperren Sie die Einstellungen durch dreisekündiges Drücken der Taste „Q“.

Drücken Sie auf dem entsperrten Bedienfeld die Taste „M“ (Funktionsauswahl Super Cool). Die Anzeige „E“ (Super Cool) leuchtet auf und das Gerät schaltet in den Super Cool-Modus. Das Produkt verlässt den Super Cool-Modus automatisch nach sechs Stunden Aktivierung. Um den Super Cool-Modus manuell zu beenden, drücken Sie auf dem entsperrten Display die Taste „M“ (Funktionsauswahl Super Cool). Die Anzeige „E“ (Super Cool) erlischt und das Gerät verlässt den Super Cool-Modus.



Hinweis

Die Super Cool-Funktion wird automatisch deaktiviert, wenn der Holiday-Modus ausgewählt wird. Im Super Cool-Modus sind die Tasten „T“ (Temperaturregler „-“) und „L“ (Temperaturregler „+“) gesperrt, wenn der Kühlschrank ausgewählt wird, und die Temperatur im Kühlfach kann nicht eingestellt werden.



Holiday-Modus

Im Holiday-Modus stellt sich das Kühlfach automatisch auf 17°C ein (zum Energiesparen), während die Switch Zone und das Gefrierfach bei Normaltemperatur arbeiten.

Entsperren Sie die Einstellungen durch dreisekündiges Drücken der Taste „Q“.

Drücken Sie auf dem entsperrten Bedienfeld die Taste „O“ (Auswahl Holiday-Modus). Die Anzeige „G“ (Holiday-Modus) leuchtet auf und das Gerät geht in den Holiday-Modus über; zum Beenden drücken Sie die Taste „O“ (Auswahl Holiday-Modus), die Anzeige „G“ erlischt, und das Gerät verlässt den Holiday-Modus.




Hinweis

Der Holiday-Modus wird automatisch beendet, wenn die Super Cool-Funktion aktiviert wird. Im Holiday-Modus sind die Tasten „J“ (Temperaturkontrolle „-“) und „L“ (Temperaturregler „+“) gesperrt, wenn das Kühlfach ausgewählt ist, und die Temperatur im Kühlfach kann nicht eingestellt werden.

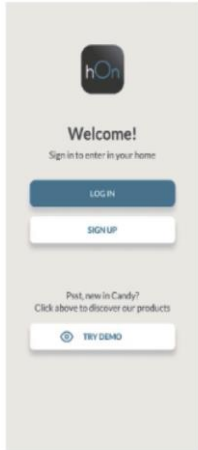
WLAN-Moduseinstellung

KOPPLUNGSVORGANG IN DER APP


Schritt 1 • Laden Sie die hOn-App aus den Stores herunter.



Schritt 2 Erstellen Sie Ihr Konto in der hOn-App oder melden Sie sich an, wenn Sie bereits ein Konto haben.



Schritt 3 Folgen Sie den Kopplungsanweisungen in der hOn-App.


WLAN-Funktion

Wenn die WLAN-Funktion noch nicht konfiguriert wurde, geht der Kühlschrank beim erstmaligen Einschalten automatisch in den Konfigurationsmodus über und behält diesen Status 30 Minuten lang bei.

Das WLAN-Symbol „H“ blinkt schnell und die Produktregistrierung kann beginnen.

1. Folgen Sie den Anweisungen in der App, um die WLAN-Funktion zu konfigurieren.
2. Sobald die WLAN-Funktion konfiguriert und die Verbindung hergestellt ist, leuchtet das WLAN-Symbol „H“ permanent.
3. Nach 30 Minuten ohne Bedienung verlässt die WLAN-Funktion automatisch den Konfigurationsmodus.
4. Wenn die WLAN-Funktion bereits konfiguriert wurde, wird die Verbindung automatisch entsprechend der Konfigurationsinformationen wiederhergestellt, sobald die WLAN-Funktion aktiv ist.

**Hinweis**

1. Dieses Produkt ist nicht für den gewerblichen Gebrauch bestimmt.
2. Arbeitsfrequenz des Senders: 2400 MHz ~ 2483,5 MHz
3. Maximale Ausgangsleistung des Senders: 20 dBm



Hinweis

1. Um die WLAN-Funktion auszuschalten, drücken Sie die WLAN-Taste „P“ und das WLAN-Symbol „H“ geht aus.
2. Um die WLAN-Funktion einzuschalten und die Konfiguration zu starten, drücken Sie die WLAN-Taste „P“ und das WLAN-Symbol „H“ beginnt langsam zu blinken. Wenn Sie die WLAN-Funktion ausschalten möchten, drücken Sie einmal die Taste „P“. Wenn Sie die WLAN-Funktion konfigurieren möchten, drücken Sie drei Sekunden lang Taste „P“. Ein akustisches Signal ertönt, das WLAN-Symbol blinkt schnell und der Konfigurationsmodus wird aktiviert. Die oben genannten Schritte werden wiederholt.
3. Wenn das Produkt konfiguriert und die WLAN-Funktion ausgeschaltet wurde, geht der Kühlschrank nicht in den Konfigurationsmodus über, wenn er wieder an die Stromversorgung angeschlossen wird.
4. Sobald die WLAN-Funktion konfiguriert und die Verbindung hergestellt ist, leuchtet das WLAN-Symbol „H“ permanent.

Türalarm

Der Türalarm wird ausgelöst, wenn die Tür längere Zeit geöffnet oder nicht richtig geschlossen ist, und erinnert daran, die Türe zu schließen.

KÜHLSCHRANKTÜR LINKS

KÜHLSCHRANKTÜR RECHTS

GEFRIERSCHRANKTÜR

TÜR DER SWITCH ZONE

Wasserspender

Mit dem Wasserspender kann gekühltes Trinkwasser gezapft werden.

Der Wassertank sollte vor dem ersten Gebrauch gereinigt werden (siehe PFLEGE UND REINIGUNG).

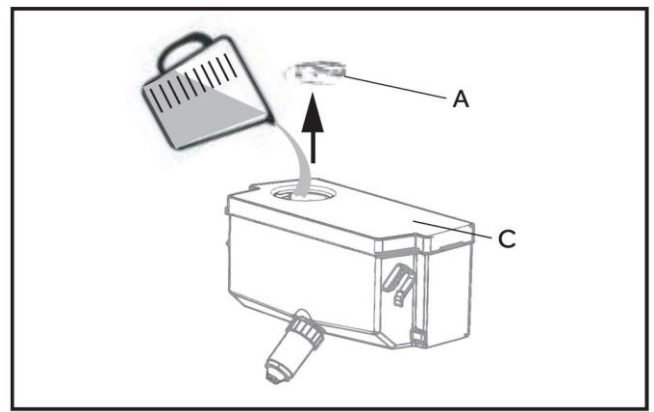
Füllen des Wassertanks



WARNUNG!

Nur mit Trinkwasser füllen.

1. Stellen Sie sicher, dass der Wassertank richtig eingesetzt ist (siehe AUSRÜSTUNG).
2. Drehen und heben Sie den runden Deckel (A) ab und füllen Sie den Wassertank mit frischem Trinkwasser auf.
3. Wasser nur bis zur Markierung (2.51) einfüllen; da es beim Öffnen und Schließen der Tür überschwappen kann.
4. Den runden Deckel (A) bis zum Einrasten aufsetzen.

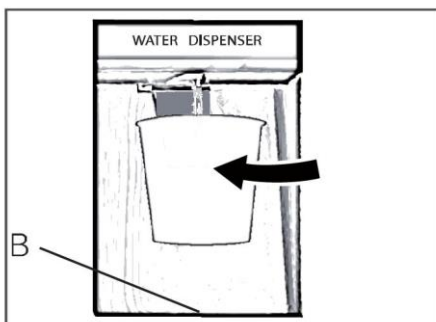


Hinweis: Wasserspender

Entsorgen Sie vor dem Nachfüllen Restwasser und reinigen Sie den Wassertank.

Wenn Sie längere Zeit kein Wasser benötigen, leeren Sie bitte den Wassertank und setzen Sie den gereinigten Tank ein.

Die Abdeckung (C) am Wassertank dient zusätzlich der Energieeinsparung. Wenn Sie über einen längeren Zeitraum kein Wasser aus dem Wasserspender entnehmen möchten, setzen Sie trotzdem die Abdeckung auf, da diese besser isoliert und Energie spart.



Wasser aus dem Spender zapfen

1. Stellen Sie ein Glas unter den Wasserauslass.
2. Drücken Sie mit dem Glas leicht gegen den Hebel des Wasserspenders. Achten Sie darauf, dass das Glas genau unter dem Ausguss steht, damit das Wasser nicht spritzt.
3. Das Tropfwasser in der Schale (B) sollte rechtzeitig abgeschüttet werden, da es beim Öffnen und Schließen der Tür überschwappen kann.

Tipps zum Lagern frischer Lebensmittel

Aufbewahrung im Kühlschrank

- ▶ Halten Sie die Temperatur Ihres Kühlschranks unter 5°C.
- ▶ Heiße Lebensmittel vor der Lagerung im Kühlschrank auf Raumtemperatur abkühlen lassen.
- ▶ Lebensmittel sollten vor der Lagerung im Kühlschrank gewaschen und abgetrocknet werden.
- ▶ Die zu lagernden Lebensmittel sollten gut verschlossen sein, um Geruchs- oder Geschmacksveränderungen zu vermeiden.
- ▶ Lagern Sie keine übermäßigen Mengen an Lebensmitteln. Lassen Sie Zwischenräume zwischen den Lebensmitteln, damit die kalte Luft zirkulieren kann, um eine bessere und gleichmäßigere Kühlung zu erreichen.
- ▶ Lebensmittel, die täglich verzehrt werden, sollten im vorderen Teil des Regals gelagert werden.
- ▶ Lassen Sie Platz zwischen den Lebensmitteln und den Innenwänden, damit die Luft zirkulieren kann. Lagern Sie Lebensmittel insbesondere nicht an der Rückwand, da sie dort festfrieren könnten. Vermeiden Sie den direkten Kontakt von Lebensmitteln (insbesondere bei öligen oder säurehaltigen Lebensmitteln) mit der Innenauskleidung, da Öl/Säure diese angreifen kann. Reinigen Sie ölige/saure Verschmutzungen sofort, wenn Sie sie sehen.
- ▶ Tauen Sie gefrorene Lebensmittel im Vorratsfach des Kühlschranks auf. Auf diese Weise können Sie das Gefriergut verwenden, um die Temperatur im Fach zu senken und Energie zu sparen.
- ▶ Die Reifung von Obst und Gemüse wie Zucchini, Melonen, Papaya, Banane, Ananas usw. kann im Kühlschrank beschleunigt werden. Daher sollten sie nicht im Kühlschrank aufbewahrt werden. Die Reifung von noch grünem Obst kann im Kühlschrank jedoch auch beschleunigt werden. Zwiebeln, Knoblauch, Ingwer und anderes Wurzelgemüse sollte ebenfalls bei Raumtemperatur gelagert werden.
- ▶ Unangenehme Gerüche im Inneren des Kühlschranks sind ein Zeichen dafür, dass etwas verschüttet wurde und gesäubert werden muss. Siehe PFLEGE UND REINIGUNG.
- ▶ Verschiedene Lebensmittel sollten entsprechend ihrer Eigenschaften an verschiedenen Stellen eingeräumt werden:



Hinweis

Lassen Sie mehr als 10 mm Abstand zwischen den Lebensmitteln und dem Luftkanal oder den Sensoren, um die Kühlwirkung zu gewährleisten.



- 1 Butter, Käse usw.
- 2 Eier, Dosen, Konserven, Gewürze usw.
- 3 Getränke und Lebensmittel in Flaschen.
- 4 Eingelegte Lebensmittel, Konserven usw.
- 5 Fleischerzeugnisse, Snacks, Nudeln, Konserven, Milch, Tofu, Milchprodukte usw.
- 6 Gekochtes Fleisch, Würste usw.
- 7 Humidity Zone-Schublade: Obst, Gemüse, Salat usw.
- 8 Humidity Zone-Schublade: Obst, Gemüse, Salat usw.

Lagerung in der Switch Zone

In der Switch Zone kann die Temperatur nach Bedarf zwischen -18°C und 5°C eingestellt werden. Dies bietet flexible Kühlbedingungen für jeden Lebensmittelbedarf.

-18°C	Für tiefgefrorene Lebensmittel, die zwischen 1-12 Monaten gelagert werden können.	Fleisch, Geflügel, Meeresfrüchte und vorgekochte Lebensmittel, einige Obst- und Gemüsesorten, Eis und andere tiefgefrorene Desserts.
-7°C	Ermöglicht das einfache Portionieren von Lebensmitteln und die Möglichkeit, Lebensmittel direkt aus dem Fach zu erhitzen, zu kochen oder zu servieren, ohne auf das Auftauen zu warten.	Fleisch, Meeresfrüchte, Suppen, Soßen, pürierte Lebensmittel, Brot, Desserts und Gebäck. Hinweis: Empfohlen für die Lagerung von cremigen Süßspeisen wie Eiscreme.
0°C	Die perfekte Kühlbedingung für leicht verderbliche Lebensmittel, damit diese ihre Frische und Qualität behalten.	Leicht verderbliche Fleischsorten, Geflügel und Meeresfrüchte. Alkoholische Getränke wie Bier.
5°C	Der ideale Modus für frische Lebensmittel wie Obst und Gemüse, Molkereiprodukte, Fleisch und Getränke.	Obst und Gemüse, Molkereiprodukte, Marmeladen und Chutneys/Konserven, Wurstwaren und Getränke.

Einlagerung im Gefrierfach

- ▶ Halten Sie die Gefriertemperatur bei -18°C .
- ▶ 24 Stunden vor dem Einfrieren die Super-Freeze-Funktion einschalten; bei kleinen Mengen an Lebensmitteln reichen 4-6 Stunden.
- ▶ Heiße Lebensmittel vor der Lagerung im Gefrierschrank auf Raumtemperatur abkühlen lassen.
- ▶ In kleine Portionen geschnittene Lebensmittel frieren schneller ein und lassen sich leichter auftauen und garen. Das empfohlene Gewicht für jede Portion beträgt höchstens 2,5 kg.
- ▶ Lebensmittel verpacken, bevor Sie sie in den Gefrierschrank legen. Die Außenseite der Verpackung muss trocken sein, damit die Gefrierbeutel nicht aneinander kleben. Verpackungsmaterialien sollten geruchsfrei, luftdicht, lebensmittelecht und ungiftig sein.
- ▶ Damit das Verfallsdatum nicht abläuft, notieren Sie sich das Einfrierdatum, das Verfallsdatum und den Namen des Lebensmittels auf der Verpackung. Unterschiedliche Lebensmittel können unterschiedlich lange gelagert werden.
- ▶ **WARNUNG!** Säuren, Laugen und Salze usw. könnten die Innenfläche des Gefriergeräts erodieren. Legen Sie die Lebensmittel, die diese Stoffe enthalten (z. B. Seefisch), nicht direkt auf die Innenfläche. Ausgetropftes Salzwasser im Gefrierschrank sollte sofort beseitigt werden.
- ▶ Überschreiten Sie nicht die von den Herstellern empfohlene Haltbarkeitsdauer der Lebensmittel. Nehmen Sie nur die benötigte Menge an Lebensmitteln aus dem Gefrierschrank.
- ▶ Verbrauchen Sie aufgetaute Lebensmittel schnell. Aufgetaute Lebensmittel können nicht wieder eingefroren werden, es sei denn, sie wurden erneut durchgegart. Ansonsten können sie ungenießbar sein.
- ▶ Legen Sie keine übermäßigen Mengen an frischen Lebensmitteln in das Gefrierfach. Informieren Sie sich über die Gefrierkapazität des Tiefkühlgeräts. - Siehe TECHNISCHE DATEN oder Daten auf dem Typenschild.
- ▶ Lebensmittel können im Gefrierschrank bei einer Temperatur von mindestens -18°C je nach Beschaffenheit 2 bis 12 Monate gelagert werden (z. B. Fleisch: 3-12 Monate, Gemüse: 6-12 Monate)
- ▶ Vermeiden Sie beim Einfrieren frischer Lebensmittel den Kontakt mit bereits gefrorenen Lebensmitteln. Es besteht die Gefahr, dass diese auftauen!

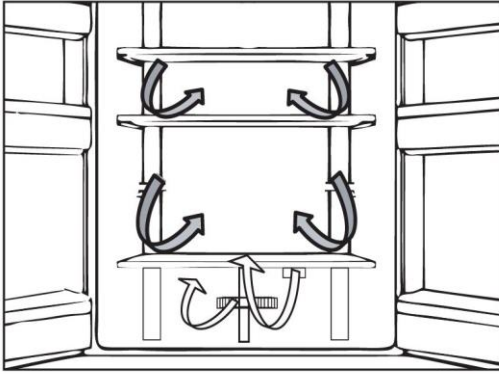
Beachten Sie bei der Lagerung von handelsüblicher Tiefkühlware diese Richtlinien:

- ▶ Befolgen Sie immer die Richtlinien der Hersteller, wie lange die Lebensmittel aufbewahrt werden können. Überschreiten Sie diese Empfehlung nicht!
- ▶ Versuchen Sie, die Zeitspanne zwischen Einkauf und Lagerung so kurz wie möglich zu halten, um die Lebensmittelqualität zu erhalten.
- ▶ Kaufen Sie Tiefkühlkost, die bei einer Temperatur von -18°C oder darunter gelagert wurde.
- ▶ Vermeiden Sie den Kauf von Lebensmitteln, die Eis oder Reif auf der Verpackung haben. Dies deutet darauf hin, dass die Produkte möglicherweise teilweise aufgetaut und irgendwann wieder eingefroren wurden. Temperaturerhöhungen beeinträchtigen die Qualität der Lebensmittel.



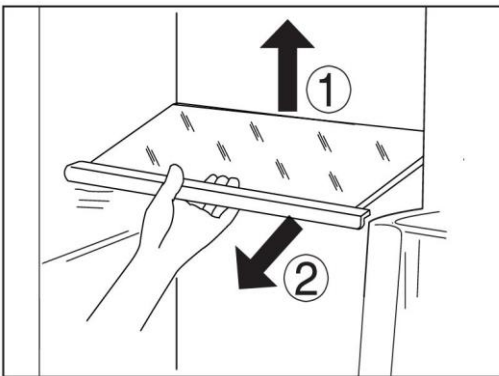
Hinweis

- ▶ Lassen Sie mehr als 10 mm Abstand zwischen den Lebensmitteln und dem Luftkanal, um die Kühlwirkung zu gewährleisten.



Mehrfach-Luftstrom

Der Kühlschrank ist mit einem Mehrfach-Luftstrom-System ausgestattet, bei dem auf jeder Regalebene kühle Luftströme zirkulieren. Dadurch wird eine gleichmäßige Temperatur aufrechterhalten, um sicherzustellen, dass Ihre Lebensmittel länger frisch bleiben.



Verstellbare Einlegeböden

Die Höhe der Einlegeböden kann an Ihren Lagerbedarf angepasst werden.

1. Um einen Einlegeboden zu versetzen, heben Sie ihn an der Hinterkante an (1) und ziehen Sie ihn heraus (2).
2. Um ihn wieder einzubauen, setzen Sie ihn auf die Träger an beiden Seiten und schieben Sie ihn ganz nach hinten, bis die Rückseite des Regalbodens in den Schlitzen an den Seiten steckt.



Hinweis:

Prüfen Sie, ob alle Seiten des Regalbodens waagrecht sind.

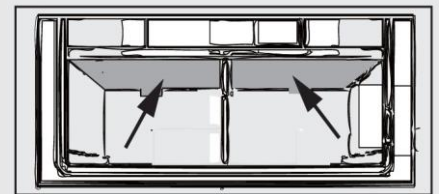
Humidity Zone-Schublade

In diesem Fach beträgt die Luftfeuchtigkeit etwa 85 %. Sie wird automatisch vom System gesteuert und eignet sich für die Lagerung von Obst, Gemüse, Salaten usw.



Hinweis:

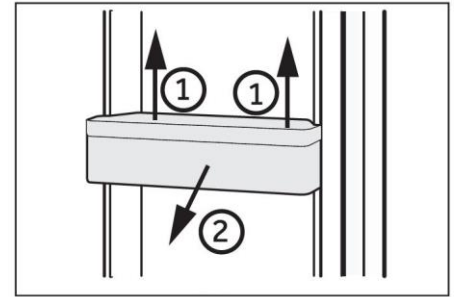
- ▶ Entfernen Sie nicht die Kunststoffabdeckung im Inneren der beiden Zonen. Sie halten die Feuchtigkeit aufrecht.
- ▶ Kälteempfindliche Früchte wie Ananas, Avocado, Bananen, Grapefruits und Gemüse wie Kartoffeln, Auberginen, Bohnen, Gurken, Zucchini und Tomaten sowie Käse sollten nicht in diesen beiden Schubladen gelagert werden.



Herausnehmbare Türfächer

Die Türfächer können zur Reinigung herausgenommen werden: Halten Sie dazu die Ablage mit beiden Händen fest, heben Sie sie nach oben (1) und ziehen Sie sie heraus (2).

Um die Ablage wieder einzusetzen, werden die oben genannten Schritte in umgekehrter Reihenfolge durchgeführt.

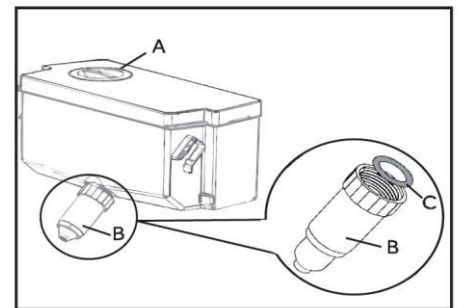


Abnehmbarer Wassertank

Der Wassertank kann zur Reinigung genau wie die Türfächer aus- und wieder eingebaut werden.

Wassertank einsetzen

Setzen Sie den Wassertank so ein, dass der Wasserauslass (B) in die Öffnung der Tür passt. Stellen Sie sicher, dass der Wassertank fest sitzt.



Hinweis: Wassertank

Vergewissern Sie sich, dass der Auslauf fest mit dem Wassertank verschraubt ist und dass der weiße O-Ring (C) richtig sitzt.

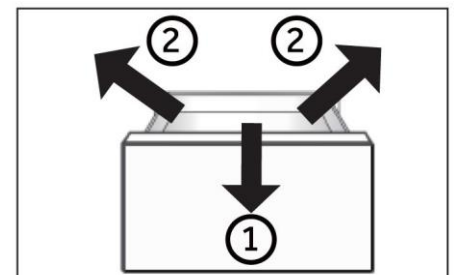
Wenn der Wassertank nicht richtig eingesetzt ist, kann Wasser aus dem Anschluss tropfen.

Wenden Sie beim Entfernen oder Einsetzen des Wassertanks keine übermäßige Kraft an, um eine Beschädigung des Tanks zu vermeiden.

Herausnehmbare Tiefkühlschublade

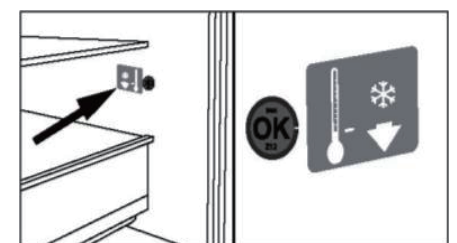
Um die Schublade herauszunehmen, diese bis zum Anschlag herausziehen (1), anheben und herausnehmen (2).

Um die Schublade wieder einzusetzen, werden die oben genannten Schritte in umgekehrter Reihenfolge durchgeführt.



OPTIONAL: OK-Temperaturanzeige

Mit dem OK-Temperaturindikator können Temperaturen unter +4° C festgestellt werden. Reduzieren Sie die Temperatur schrittweise, wenn das Zeichen nicht OK anzeigt.



Das Licht

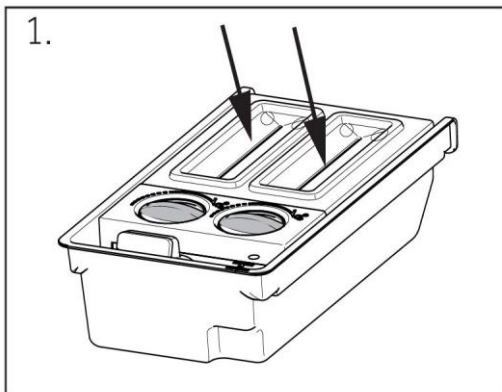
Die LED-Innenbeleuchtung leuchtet auf, wenn die Tür geöffnet wird, und erlischt automatisch, wenn die Tür länger als 7 Minuten offen bleibt. Die Leistung der LEDs wird durch keine der anderen Geräteeinstellungen beeinflusst.



Energiespartipps

- ▶ Stellen Sie sicher, dass das Gerät ordnungsgemäß belüftet ist (siehe INSTALLATION).
- ▶ Stellen Sie das Gerät nicht in direktem Sonnenlicht oder in der Nähe von Hitzequellen (z. B. Herden, Heizungen) auf.
- ▶ Vermeiden Sie unnötig niedrige Temperaturen im Gerät. Je niedriger die im Gerät eingestellte Temperatur, umso höher der Energieverbrauch.
- ▶ Funktionen wie Super-Freeze verbrauchen mehr Energie.
- ▶ Lassen Sie warme Mahlzeiten abkühlen, bevor Sie diese in den Kühlschrank stellen.
- ▶ Öffnen Sie die Gerätetür so wenig und so kurz wie möglich.
- ▶ Achten Sie darauf, das Gerät nicht zu überladen, um den Luftstrom nicht zu behindern.
- ▶ Vermeiden Sie Luft innerhalb der Lebensmittelverpackung.
- ▶ Halten Sie Türdichtungen sauber, damit die Tür immer richtig schließt.
- ▶ Tauen Sie gefrorene Lebensmittel im Vorratsfach des Kühlschranks auf.
- ▶ Die energiesparendste Konfiguration erfordert, dass das Gerät Schubladen, Lebensmittelboxen und Regalböden in fabriksauberem Zustand enthält, und die Lebensmittel sollten so weit wie möglich von den Auslässen des Luftkanals eingeräumt werden und diesen nicht blockieren.

Eiswürfel herstellen

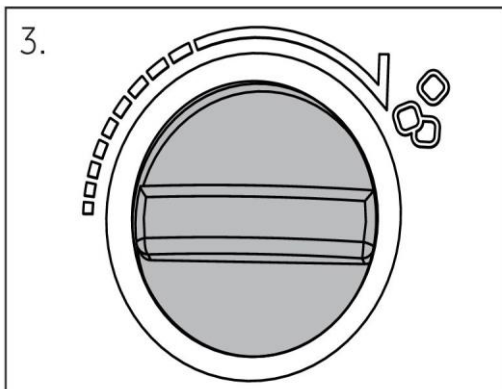


1. Füllen Sie frisches Trinkwasser in jeden Eiswürfelbehälter, wobei die Skalenmarkierung nicht überschritten werden darf.



Hinweis:

Darauf achten, dass kein Wasser zwischen die beiden Knöpfe gerät, da diese sonst einfrieren und die Eiswürfel nicht in den Behälter fallen können.



2. Eiswürfelbehälter in das Gefrierfach stellen.
3. Nachdem das Wasser zu Eis geworden ist, nehmen Sie den Eiswürfelbehälter aus dem Gerät, und drehen Sie den Knopf mit der Hand. Dann fallen die Eiswürfel automatisch in den Behälter. Deckel ab- und Eiswürfel herausnehmen.



WARNUNG!

Trennen Sie das Gerät vor der Reinigung von der Stromversorgung.

Reinigung

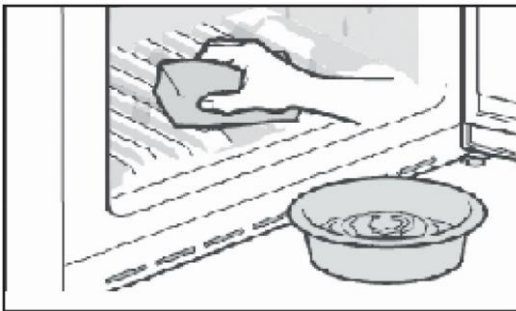
Reinigen Sie das Gerät, wenn nur wenig oder keine Lebensmittel gelagert werden.

Das Gerät sollte alle vier Wochen gereinigt werden, um eine gute Wartung zu gewährleisten und um schlechte Gerüche von gelagerten Lebensmitteln zu vermeiden.



WARNUNG!

- ▶ Reinigen Sie das Gerät nicht mit harten Bürsten, Drahtbürsten, Reinigungspulver, Benzin, Amylacetat, Aceton und ähnlichen organischen Lösungen, Säure oder Alkalilösungen. Reinigen Sie das Gerät mit einem speziellen Reinigungsmittel für Kühlgeräte, um Beschädigungen zu vermeiden.
- ▶ Das Gerät während der Reinigung nicht besprühen oder mit Wasser beschütten.
- ▶ Das Gerät nicht mit Wasser besprühen oder mit Dampf reinigen.
- ▶ Die kalten Einlegeböden aus Glas nicht mit heißem Wasser reinigen. Plötzliche Temperaturschwankungen können dazu führen, dass das Glas zerspringt.
- ▶ Berühren Sie nicht die Innenfläche des Gefrierschranks, insbesondere nicht mit nassen Händen, da Ihre Hände an der Oberfläche festfrieren könnten.
- ▶ Überprüfen Sie bei eventuellem Temperaturanstieg den Zustand des Gefrierguts.

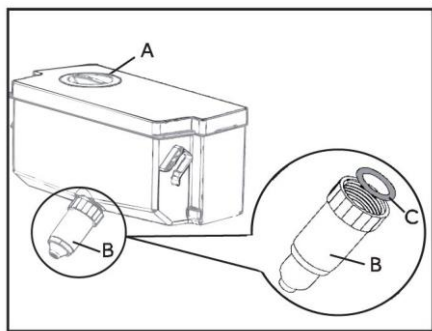


- ▶ Die Türdichtung immer sauber halten.
 - ▶ Reinigen Sie das Innere und das Gehäuse des Gerätes mit einem Schwamm, der mit warmem Wasser und einem neutralen Reinigungsmittel angefeuchtet wurde.
1. Säubern Sie den Kühlschrank außen und innen, einschließlich Türdichtungen, Türablage, Glasablagen, Schubladen usw., gründlich mit einem weichen Geschirrtuch oder Schwamm mit warmem Wasser (eventuell mit etwas neutralem Reinigungsmittel im Wasser).
 2. Wenn Flüssigkeit verschüttet wurde, nehmen Sie alle verschmutzten Teile heraus, spülen Sie sie unter fließendem Wasser ab, trocknen Sie sie ab und setzen Sie sie wieder in den Kühlschrank.
 3. Bei verschütteten Milchprodukten (z. B. Sahne, schmelzendes Eis) entfernen Sie die verunreinigten Teile, legen Sie sie für eine Weile in ca. 40°C warmes Wasser, spülen Sie sie dann unter fließendem Wasser ab, trocknen Sie sie ab, und setzen Sie sie wieder in den Kühlschrank ein.
 4. Falls ein kleines Teil oder Krümel im Inneren des Kühlschranks (zwischen die Ablagen oder Schubladen) festsitzen, lösen Sie die Verunreinigung mit einer weichen Zahnbürste. Wenn Sie die Verunreinigung nicht entfernen konnten, wenden Sie sich an den Haier-Kundenservice.
- ▶ Wischen Sie den Kühlschrank mit einem feuchten Tuch gründlich aus und trocknen Sie ihn mit einem weichen Tuch ab.
 - ▶ Reinigen Sie Geräteteile nicht in einer Geschirrspülmaschine.
 - ▶ Warten Sie vor dem Neustart mindestens 5 Minuten, da durch häufiges Einschalten der Kompressor beschädigt werden kann.

Abtauen

Das Abtauen des Kühl- und Gefrierschranks erfolgt automatisch, es ist keine manuelle Tätigkeit erforderlich.

Reinigen Sie den Wassertanks



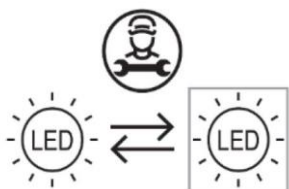
1. Nehmen Sie den Wassertank aus dem Gerät.
2. Nehmen Sie den Deckel (A) ab.
3. Schrauben Sie den Zapfhahn (B) ab.
4. Reinigen Sie den Tank und den Zapfhahn mit warmem Wasser und etwas Geschirrspülmittel. Stellen Sie sicher, dass das Spülmittel restlos abgespült wird.
5. Montieren Sie den Zapfhahn (B) und achten Sie darauf, dass er fest mit dem Wassertank verschraubt ist und dass der weiße O-Ring (C) richtig sitzt.
6. Schließen Sie den Deckel (A) und setzen Sie den Behälter wieder in das Gerät ein.



Hinweis: Wassertank

Wenn der Wassertank nicht richtig eingesetzt ist, kann Wasser aus dem Anschluss tropfen. Wenden Sie beim Entfernen oder Einsetzen des Wassertanks keine übermäßige Kraft an, um eine Beschädigung des Tanks zu vermeiden.

Austausch der LED-Leuchten



Lichtquelle (nur LED), die durch einen Fachmann ausgetauscht werden kann.

Dieses Produkt enthält eine Lichtquelle der Energieeffizienzklasse G.

Gerätech	Spannung	max Leistung	Energieeffizienzklasse	Modell
Kühlschrank	DC 12V	5 W	G	HCW58F18EWMP

Nichtverwendung für einen längeren Zeitraum

Wenn das Gerät über einen längeren Zeitraum nicht benutzt wird und Sie nur die Funktion „Holiday“ oder die Funktion „Kühlschrank aus“ für den Kühlschrank verwenden:

- ▶ Lebensmittel herausnehmen.
- ▶ Das Netzkabel abziehen.
- ▶ Wassertank entleeren und sorgfältig reinigen.
- ▶ Reinigen Sie das Gerät wie oben beschrieben.
- ▶ Lassen Sie die Türen auf, um zu verhindern, dass schlechter Geruch entsteht.



Hinweis

Schalten Sie das Gerät nur aus, wenn es unbedingt nötig ist.

Verstellen des Gerätes

1. Nehmen Sie alle Lebensmittel heraus und ziehen Sie den Gerätestecker.
2. Fixieren Sie die Einlegeböden und andere bewegliche Teile im Kühlschrank mit Klebeband.
3. Den Kühlschrank um maximal 45° kippen, um eine Beschädigung des Kühlsystems zu vermeiden.

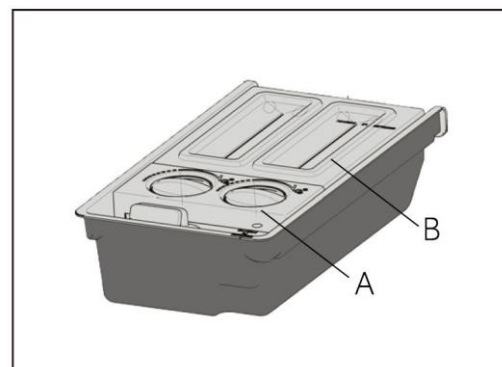


WARNUNG!

- ▶ Heben Sie das Gerät nicht an seinen Griffen an.
- ▶ Stellen Sie das Gerät niemals waagrecht auf den Boden.

Reinigung des Eiswürfelbereiters

1. Nehmen Sie den Eiswürfelbereiter aus dem Gerät.
2. Entfernen Sie die Abdeckungen (A) und (B).
3. Reinigen Sie den Eiswürfelbereiter mit warmem Wasser und etwas Geschirrspülmittel. Stellen Sie sicher, dass das Spülmittel restlos abgespült wird.
4. Schließen Sie die Abdeckungen, füllen Sie Trinkwasser ein und stellen Sie den Eiswürfelbereiter wieder in das Gerät.



Viele auftretende Probleme können von Ihnen selbst ohne spezifische Fachkenntnisse gelöst werden. Bei Problemen prüfen Sie bitte alle angezeigten Möglichkeiten und befolgen Sie die nachstehenden Anweisungen, bevor Sie einen Kundenservice kontaktieren. Siehe KUNDENSERVICE.



WARNUNG!

- ▶ Das Gerät vor der Wartung deaktivieren und den Netzstecker aus der Steckdose ziehen.
- ▶ Elektrische Geräte sollten nur von qualifizierten Fachelektrikern repariert werden, da unsachgemäße Reparaturen erhebliche Folgeschäden verursachen können.
- ▶ Eine beschädigte Lieferung sollte nur vom Hersteller, von seinem Service-Mitarbeiter oder einer gleichwertig qualifizierten Person ausgetauscht werden, um jegliches Risiko zu vermeiden.

Problem	Mögliche Ursache	Mögliche Behebung
Der Kompressor funktioniert nicht.	<ul style="list-style-type: none"> • Der Netzstecker ist nicht an die Steckdose angeschlossen. • Das Gerät befindet sich im Abtauzyklus. 	<ul style="list-style-type: none"> • Netzstecker anschließen. • Dies ist normal für eine automatische Abtaung.
Das Gerät läuft häufig oder zu lange.	<ul style="list-style-type: none"> • Die Innen- oder Außentemperatur ist zu hoch. • Das Gerät wurde über einen längeren Zeitraum ausgeschaltet. • Eine Gerätetür wurde nicht richtig geschlossen. • Die Tür wurde zu häufig oder zu lange geöffnet. • Die Temperatur für den Gefrierschrank ist zu niedrig. • Die Türdichtungen sind verschmutzt, verschlissen, gerissen oder verrutscht. • Die erforderliche Luftzirkulation ist nicht gewährleistet. 	<ul style="list-style-type: none"> • In diesem Fall ist es normal, dass das Gerät länger läuft. • Normalerweise dauert es 8 bis 12 Stunden, bis das Gerät vollständig abgekühlt ist. • Tür/Schublade schließen und sicherstellen, dass das Gerät auf einem ebenem Untergrund steht und dass keine Lebensmittel oder Behälter gegen die Tür stoßen. • Tür/Schublade nicht zu häufig öffnen. • Stellen Sie die Temperatur höher ein, bis eine zufriedenstellende Kühlschranktemperatur erreicht ist. Es dauert 24 Stunden, bis sich die Kühlschranktemperatur stabilisiert hat. • Die Tür-/Schubladendichtungen reinigen oder vom Kundenservice ersetzen lassen. • Für ausreichende Belüftung sorgen.
Das Innere des Kühlschranks ist schmutzig und/oder übelriechend.	<ul style="list-style-type: none"> • Das Innere des Kühlschranks muss gereinigt werden. • Lebensmittel mit starkem Geruch werden im Kühlschrank gelagert. 	<ul style="list-style-type: none"> • Das Innere des Kühlschranks reinigen. • Packen Sie diese Lebensmittel sorgfältig ein.

Problem	Mögliche Ursache	Mögliche Behebung
Das Innere des Geräts ist nicht kalt genug.	<ul style="list-style-type: none"> • Temperatur zu hoch eingestellt. • Es wurden zu warme Lebensmittel eingelagert. • Es wurden zu viele Lebensmittel auf einmal hineingelegt. • Die Lebensmittel liegen zu dicht beieinander. • Eine Tür/Schublade wurde nicht richtig geschlossen. • Die Tür/Schublade wurde zu häufig oder zu lange geöffnet. 	<ul style="list-style-type: none"> • Temperatur zurücksetzen. • Lassen Sie die Lebensmittel immer abkühlen, bevor Sie sie hineinlegen. • Legen Sie nur kleinere Mengen an Lebensmitteln neu hinein. • Lassen Sie zwischen mehreren Lebensmitteln einen Abstand, damit die Luft zirkulieren kann. • Tür/Schublade schließen. • Tür/Schublade nicht zu häufig öffnen.
Das Innere des Geräts ist zu kalt.	<ul style="list-style-type: none"> • Temperatur zu niedrig eingestellt. • Die Super-Frz/Super-Cool-Funktion ist aktiviert oder läuft zu lange. 	<ul style="list-style-type: none"> • Temperatur zurücksetzen. • Schalten Sie die Super-Frz/Super-Cool-Funktion aus.
Feuchtigkeitsbildung im Innern des Kühlfachs.	<ul style="list-style-type: none"> • Das Klima ist zu warm und zu feucht. • Eine Tür/Schublade wurde nicht richtig geschlossen. • Die Tür/Schublade wurde zu häufig oder zu lange geöffnet. • Lebensmittelbehälter oder Flüssigkeiten werden offen gelassen. 	<ul style="list-style-type: none"> • Temperatur erhöhen. • Tür/Schublade schließen. • Tür/Schublade nicht zu häufig öffnen. • Heiße Speisen auf Raumtemperatur abkühlen lassen und Speisen und Flüssigkeiten abdecken.
Feuchtigkeit sammelt sich außen am Kühlschrank oder zwischen der oder den Türen und der Schublade.	<ul style="list-style-type: none"> • Das Klima ist zu warm und zu feucht. • Tür nicht richtig geschlossen. Die kalte Luft im Gerät und die warme Außenluft kondensieren. 	<ul style="list-style-type: none"> • Das ist bei feuchtem Klima normal und ändert sich, wenn die Feuchtigkeit abnimmt. • Prüfen Sie, ob die Tür/Schublade fest geschlossen ist.
Starke Eisbildung und Frost im Gefrierfach.	<ul style="list-style-type: none"> • Die Lebensmittel sind nicht angemessen verpackt. • Eine Tür/Schublade wurde nicht richtig geschlossen. • Die Tür/Schublade wurde zu häufig oder zu lange geöffnet. • Die Tür-/Schubladendichtungen sind verschmutzt, verschlissen, gerissen oder verrutscht. • Etwas im Inneren verhindert, dass die Tür/Schublade richtig schließt. 	<ul style="list-style-type: none"> • Verpacken Sie die Lebensmittel immer gut. • Tür/Schublade schließen. • Tür/Schublade nicht zu häufig öffnen. • Die Tür-/Schubladendichtungen reinigen oder austauschen. • Versetzen Sie die Einlegeböden, Türfächer oder Behälter so, dass die Tür/Schublade richtig schließt.

Problem	Mögliche Ursache	Mögliche Behebung
Die Seitenwände des Geräts und die Türleiste werden warm.	<ul style="list-style-type: none"> - 	<ul style="list-style-type: none"> Das ist normal.
Das Gerät macht unnormale Geräusche.	<ul style="list-style-type: none"> Das Gerät befindet sich nicht auf einem ebenen Untergrund. Das Gerät berührt einige Gegenstände um es herum. 	<ul style="list-style-type: none"> Füße einstellen, um das Gerät in die Waage zu bringen. Die Gegenstände um das Gerät herum entfernen.
Es ist ein leichtes Geräusch zu hören, ähnlich wie dem von fließendem Wasser.	<ul style="list-style-type: none"> - 	<ul style="list-style-type: none"> Das ist normal.
Sie hören einen Signalton.	<ul style="list-style-type: none"> Die Kühlschranktür ist offen. 	<ul style="list-style-type: none"> Tür schließen.
Sie hören ein schwaches Brummen.	<ul style="list-style-type: none"> Das Antikondensationssystem arbeitet. 	<ul style="list-style-type: none"> Dies verhindert Kondensation und ist normal.
Die Innenbeleuchtung oder das Kühlsystem funktioniert nicht.	<ul style="list-style-type: none"> Der Netzstecker ist nicht an die Steckdose angeschlossen. Die Stromversorgung ist nicht intakt. Die LED-Leuchte ist defekt. 	<ul style="list-style-type: none"> Netzstecker anschließen. Die Stromversorgung des Raums überprüfen. Den örtlichen Stromversorger anrufen! Rufen Sie den Kundenservice an, um die Leuchte auszutauschen.

Um den technischen Kundendienst zu kontaktieren, besuchen Sie unsere Website:

<https://corporate.haier-europe.com/en/>

Wählen Sie im Abschnitt „Website“ die Marke Ihres Produkts und Ihr Land aus. Sie werden auf die entsprechende Website weitergeleitet, auf der Sie die Telefonnummer und das Formular zur Kontaktaufnahme mit dem technischen Kundendienst finden.

Stromunterbrechung

Bei Stromausfall sollten die gelagerten Lebensmittel noch 5 Stunden lang frisch gekühlt bleiben. Beachten Sie diese Tipps bei einer längeren Stromunterbrechung, insbesondere im Sommer:

- ▶ Öffnen Sie die Tür/Schublade so selten wie möglich.
- ▶ Legen Sie während eines Stromausfalls keine weiteren Lebensmittel in das Gerät.
- ▶ Wenn der Stromausfall vorher angekündigt wurde und die Unterbrechungsdauer länger als 5 Stunden ist, frieren Sie im Voraus ein paar Eiswürfel oder Kühlakkus ein, und legen Sie diese beim Stromausfall oben in das Kühlfach.
- ▶ Prüfen Sie nach dem Stromausfall direkt, ob die Lebensmittel verdorben sind.
- ▶ Da die Temperatur im Kühlschrank während einer Stromunterbrechung oder eines anderen Fehlers ansteigt, werden die Haltbarkeit und die Qualität der Lebensmittel reduziert. Aufgetaute Lebensmittel sollten entweder verzehrt oder gekocht und (sofern geeignet) gleich danach wieder eingefroren werden, um Gesundheitsrisiken zu vermeiden.

Speicherfunktion bei Stromunterbrechung

Nach Wiederherstellung der Stromversorgung fährt das Gerät mit den Einstellungen fort, die vor dem Stromausfall eingestellt waren.

Auspacken



WARNUNG!

- ▶ Das Gerät ist schwer. Transportieren oder bewegen Sie es immer mit mindestens zwei Personen.
- ▶ Bewahren Sie sämtliches Packungsmaterial außerhalb der Reichweite von Kindern auf und entsorgen Sie es umweltfreundlich.
- ▶ Nehmen Sie das Gerät aus der Verpackung.
- ▶ Entfernen Sie alle Verpackungsmaterialien.

Umgebungsbedingungen

Die Raumtemperatur sollte immer zwischen 10°C und 43°C liegen, da sie die Temperatur im Inneren des Geräts und dessen Energieverbrauch beeinflussen kann. Das Gerät nicht in der Nähe anderer wärmeemittierender Geräte (Ofen, Kühlschränke) installieren.

Platzbedarf

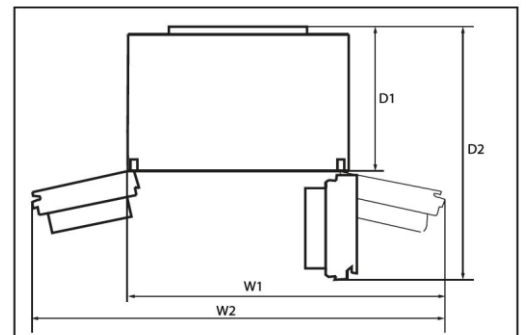
Erforderlicher Abstand bei geöffneter Türe:

W1=1076 mm

W2=1360 mm

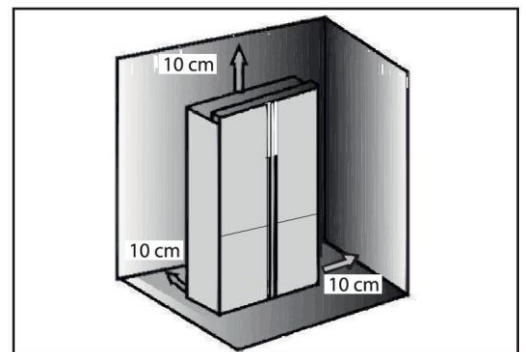
D1=628 mm

D2=1064mm



Platzbedarf für ausreichende Belüftung

Damit eine ausreichende Belüftung des Geräts gewährleistet wird, dürfen die Hinweise zum ausreichenden Platzbedarf aus Sicherheitsgründen nicht missachtet werden.

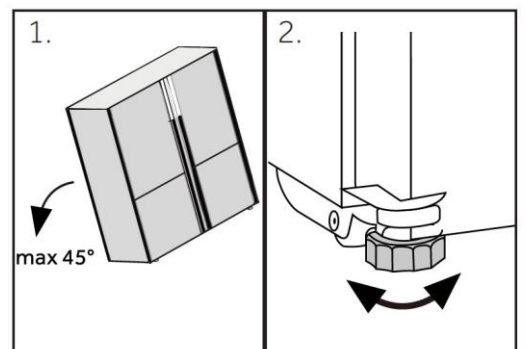


Geräteausrichtung

Das Gerät sollte auf einer flachen und festen Oberfläche aufgestellt werden.

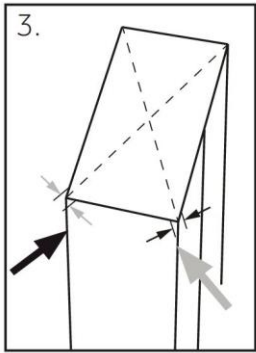
1. Kippen Sie den Kühlschrank leicht nach hinten.
2. Stellfüße auf die gewünschte Höhe justieren.

Stellen Sie sicher, dass der Abstand zur Wand auf der Scharnierseite mindestens 10 cm beträgt, damit sich die Tür richtig öffnen lässt.

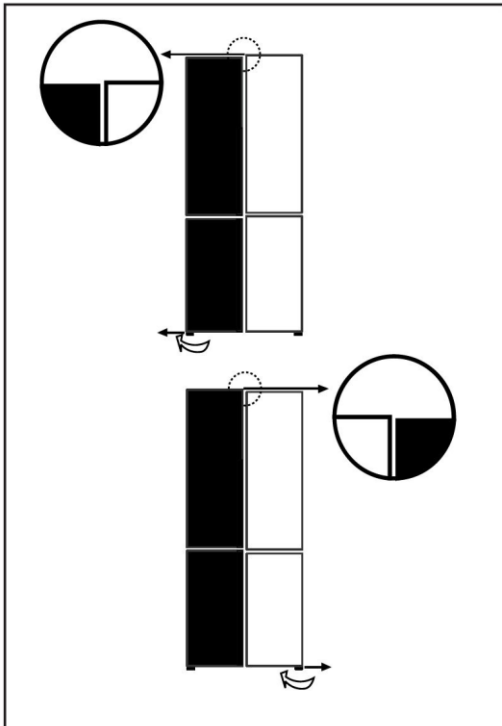


Hinweis:

Für ein frei stehendes Gerät: Dieses Kühlgerät ist nicht zur Verwendung als Einbaugerät bestimmt.



1. Die Stabilität kann durch abwechselndes Anschlagen gegen die Diagonalen überprüft werden. Das leichte Schwanken sollte in beide Richtungen gleich sein. Andernfalls kann sich der Rahmen verziehen; mögliche undichte Türdichtungen sind die Folge. Eine geringe Neigung nach hinten erleichtert das Schließen der Türen.



Feinabstimmung der Türen

Wenn die Türen nicht in Waage sind, kann diese wie folgt behoben werden:

Durch Justieren der Standfüße

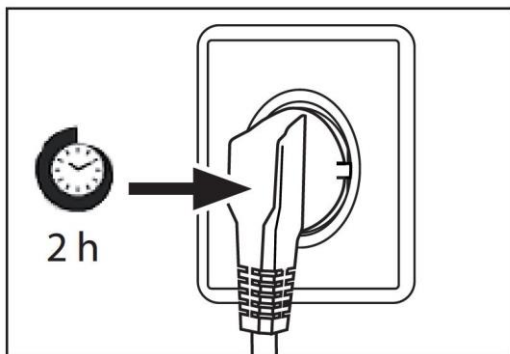
Drehen Sie den Stellfuß entsprechend der Pfeilrichtung, um ihn nach oben oder unten zu justieren.

Wenden Sie sich bei Bedarf an den Kundendienst.



Hinweis:

Bei der zukünftigen Verwendung des Kühlschranks kann sich das Gewicht der gelagerten Lebensmittel ungleichmäßig auf die Türen einwirken. Dann stellen Sie diese nach den oben genannten Methoden ein.



Wartezeit

Das wartungsfreie Schmieröl befindet sich in der Kapsel des Kompressors. Dieses Öl kann beim Transport durch das geschlossene Rohrsystem gelangen, wenn das Gerät gekippt wird. Warten Sie mindestens zwei Stunden, bevor Sie das Gerät an die Stromversorgung anschließen, damit das Öl wieder in die Kapsel zurückfließt.

Elektrischer Anschluss

Überprüfen Sie vor jeder Verbindung, dass:

- ▶ die Stromversorgung, Steckdose und Sicherung den Angaben auf dem Typenschild entsprechen.
- ▶ die Steckdose geerdet ist und kein Mehrfachstecker oder Verlängerungskabel vorhanden ist.
- ▶ Netzstecker und Steckdose richtig zusammenpassen.


Schließen Sie den Stecker an eine ordnungsgemäß installierte Haushaltssteckdose an.



WARNUNG!

Um Gefahren zu vermeiden, muss ein beschädigtes Netzkabel vom Kundenservice ausgetauscht werden (siehe Garantiekarte).

Produktdatenblatt gemäß EU-Nr. 2019/2016

Marke	Haier
Modellname / Kennung	HCW58F18EWMP
Kategorie des Modells	Kühl-Gefrierkombination
Energieeffizienzklasse	E
Jährlicher Energieverbrauch (kWh/Jahr)(1)	297
Gesamtvolumen (L)	507
Volumen Kühlschrank (L)	321
Volumen Gefrierschrank (L)	87
Volumen variables Temperaturfach (L)	99
Sterne-Bewertung	
Temperatur der anderen Fächer > 14°C	Nicht anwendbar
Frostfreies System	Ja
Gefrierleistung (kg/24h)	6
Klima-Bewertung (2)	SN-N-ST
Geräuschemissionsklasse und Luftschallemissionen (db(A) re 1pW)	C(38)
Temperaturanstiegszeit (h)	9
Gerätetyp	Freistehend
Sonstige	-

Erläuterungen:

- Ja, vorhanden

(1) Basierend auf den Ergebnissen des Normenkonformitätstests über 24 Stunden. Der tatsächliche Verbrauch hängt von der Verwendung und dem Standort des Geräts ab.

(2) Klima-Bewertung SN: Dieses Gerät ist für die Verwendung bei einer Umgebungstemperatur zwischen +10°C und +32°C ausgelegt.

Klima-Bewertung N: Dieses Gerät ist für die Verwendung bei einer Umgebungstemperatur zwischen +16°C und +32°C ausgelegt.

Klima-Bewertung ST: Dieses Gerät ist für die Verwendung bei einer Umgebungstemperatur zwischen +16°C und +38°C ausgelegt.

Klima-Bewertung T: Dieses Gerät ist für die Verwendung bei einer Umgebungstemperatur zwischen +16°C und +43°C ausgelegt.

Zusätzliche technische Daten

Spannung / Frequenz	220-240V ~/50Hz
Eingangsstrom (A)	1.5
Hauptsicherung (A)	16
Kühlmittel	R600a
Abmessungen (H/B/T in mm)	1775 / 830 / 705

Wir empfehlen unseren Haier Kundenservice und die Verwendung von Original-Ersatzteilen. Wenn Sie Probleme mit dem Gerät haben, lesen Sie bitte zuerst den Abschnitt „FEHLERBEHEBUNG“.

Wenn Sie dort keine Lösung finden, wenden Sie sich bitte an

- ▶ Ihren Händler vor Ort oder
- ▶ an unser European Call Service-Center (siehe unten aufgeführte Telefonnummern) oder
- ▶ an den Service und Support unter www.haier.com, wo Sie den Serviceanspruch aktivieren können.
- ▶ Hier finden Sie auch FAQs.

Um unseren Service zu kontaktieren, stellen Sie sicher, dass Sie die folgenden Daten zur Hand haben. Die Informationen finden Sie auf dem Typenschild.

Modell _____

Seriennummer _____

Prüfen Sie im Garantiefall auch die mit dem Produkt mitgelieferte Garantiekarte.

Europäisches Call-Service-Center		
Land*	Telefonnummer	Kosten
Haier Italy (IT)	199 100 912	
Haier Spain (ES)	902 509 123	
Haier Germany (DE)	0180 5 39 39 99	<ul style="list-style-type: none"> • 14 Ct/Min Festnetz • max 42 Ct/Min Mobil
Haier Austria (AT)	0820 001 205	<ul style="list-style-type: none"> • 14,53 Ct/Min Festnetz • max 20 Ct/Min alle anderen
Haier United Kingdom (UK)	0333 003 8122	
Haier France (FR)	0980 406 409	

* Weitere Informationen finden Sie unter www.haier.com.

Haier Europe Trading S.r.l
Niederlassung UK
Westgate House, Westgate, Ealing
London, W5 1YY

*Gewährleistungsdauer des Kühlgeräts:

Die Mindestgarantie beträgt: 2 Jahre für EU-Länder, 3 Jahre für die Türkei, 1 Jahr für Großbritannien, 1 Jahr für Russland, 3 Jahre für Schweden, 2 Jahre für Serbien, 5 Jahre für Norwegen, 1 Jahr für Marokko, 6 Monate für Algerien, Tunesien keine gesetzliche Gewährleistung erforderlich.

*Der Zeitraum für die Beschaffung von Ersatzteilen für die Reparatur des Geräts:

Thermostate, Temperatursensoren, Leiterplatten und Leuchtmittel sind für einen Zeitraum von mindestens sieben Jahren nach Inverkehrbringen des letzten Gerätes des Modells erhältlich. Türgriffe, Türscharniere, Auszüge und Schubladen für eine Mindestdauer von sieben Jahren und Türdichtungen für eine Mindestdauer von 10 Jahren, nachdem das letzte Gerät des Modells in Verkehr gebracht wurde.

*Weitere Informationen zum Produkt finden Sie unter <https://eprel.ec.europa.eu/> oder scannen Sie den QR-Code auf dem Energielabel, das dem Gerät beiliegt.

2022 Fassung B

Haier Smart Home Co.,Ltd.
No.1 Haier Road,Haier Industry Park,Hi-Tech Zone,
266103 Qingdao,Shandong,China
MADE IN CHINA

Haier



0060535245



Εγχειρίδιο χρήσης

Ψυγείο-καταψύκτης

HCW58F18EWMP

EL

Haier

Ευχαριστούμε που αγοράσατε ένα προϊόν Haier.

Παρακαλούμε διαβάστε προσεκτικά αυτές τις οδηγίες πριν από την χρήση αυτής της συσκευής. Οι οδηγίες περιέχουν σημαντικές πληροφορίες που θα σας βοηθήσουν να αξιοποιήσετε στο έπακρο τη συσκευή και να εξασφαλίσετε την ασφαλή και σωστή εγκατάσταση, χρήση και συντήρηση.

Φυλάξτε αυτό το εγχειρίδιο σε μια προσβάσιμη θέση, ώστε να μπορείτε πάντα να ανατρέξετε σε αυτό για την ασφαλή και σωστή χρήση της συσκευής.

Εάν πουλήσετε τη συσκευή, τη χαρίσετε ή την αφήσετε πίσω όταν μετακομίσετε από το σπίτι, βεβαιωθείτε ότι έχετε αφήσει επίσης και αυτό το εγχειρίδιο, ώστε ο νέος ιδιοκτήτης να εξοικειωθεί με τη συσκευή και τις προειδοποιήσεις ασφαλείας.

Υπόμνημα



Προειδοποίηση - Σημαντικές πληροφορίες ασφαλείας



Γενικές πληροφορίες και συμβουλές



Περιβαλλοντικές πληροφορίες

Απόρριψη



Βοήθεια και συμβολή στην προστασία του περιβάλλοντος και της ανθρώπινης υγείας. Τοποθετήστε τη συσκευασία σε κατάλληλα δοχεία για την ανακύκλωση της. Συμβολή στην ανακύκλωση των αποβλήτων ηλεκτρικών και ηλεκτρονικών συσκευών. Συσκευές που φέρουν αυτό το σύμβολο μην τις απορρίπτετε μαζί με τα οικιακά απορρίμματα. Επιστρέψτε το προϊόν στην τοπική μονάδα ανακύκλωσης ή επικοινωνήστε με το αρμόδιο δημοτικό γραφείο του Δήμου σας.



ΠΡΟΕΙΔΟΠΟΙΗΣΗ!

Κίνδυνος τραυματισμού ή ασφυξίας!

Τα ψυκτικά μέσα και τα αέρια πρέπει να απορρίπτονται επαγγελματικά. Βεβαιωθείτε ότι η σωλήνωση του κυκλώματος ψυκτικού δεν έχει υποστεί ζημιά πριν απορριφθεί σωστά. Αποσυνδέστε τη συσκευή από την πρίζα παροχής ρεύματος. Κόψτε το καλώδιο τροφοδοσίας και απορρίψτε το. Αφαιρέστε τους δίσκους και τα συρτάρια, καθώς και τα αλιεύματα και τις σφραγίδες της πόρτας, για να αποτρέψετε τα παιδιά και τα κατοικίδια ζώα να κλείσουν στη συσκευή.

Πληροφορίες ασφάλειας	4
Περιγραφή προϊόντος.....	10
Πίνακας ελέγχου	11
Χρήση.....	12
Εξοπλισμός.....	26
Φροντίδα και καθαρισμός	29
Αντιμετώπιση προβλημάτων	32
Εγκατάσταση.....	35
Τεχνικά δεδομένα.....	38
Εξυπηρέτηση πελατών.....	40

Εξαρτήματα

Ελέγξτε τα εξαρτήματα και τη βιβλιογραφία σύμφωνα με αυτόν τον κατάλογο:



Παγομηχανή με
σέσουλα πάγου



3 αποστάτες



Ενεργειακή
ετικέτα



Κάρτα
εγγύησης



Εγχειρίδιο χρήστη
"OK" Αυτοκόλλητο
Εγχειρίδιο χρήστη

Σημείωση: Μόνο για το μοντέλο HCW58F18EWMP

Διαβάστε τις παρακάτω υποδείξεις ασφαλείας πριν ενεργοποιήσετε τη συσκευή για πρώτη φορά:



ΠΡΟΕΙΔΟΠΟΙΗΣΗ!

Πριν από την πρώτη χρήση

- ▶ Βεβαιωθείτε ότι δεν υπάρχει ζημιά εξαιτίας της μεταφοράς.
- ▶ Αφαιρέστε όλες τις συσκευασίες και κρατήστε τις μακριά από τα παιδιά.
- ▶ Περιμένετε τουλάχιστον δύο ώρες πριν τοποθετήσετε τη συσκευή για να βεβαιωθείτε ότι το κύκλωμα του ψυκτικού είναι πλήρως αποτελεσματικό.
- ▶ Χειριστείτε τη συσκευή πάντοτε με δύο άτομα τουλάχιστον, διότι είναι βαριά.

Εγκατάσταση

- ▶ Η συσκευή πρέπει να τοποθετηθεί σε καλά αεριζόμενο μέρος. Βεβαιωθείτε ότι υπάρχει χώρος τουλάχιστον 10 εκατοστών πάνω και γύρω από τη συσκευή.
- ▶ Μην τοποθετείτε ποτέ τη συσκευή σε υγρή περιοχή ή θέση όπου μπορεί να πιτσιλιστεί ή βραχεί με νερό. Καθαρίστε και ξύστε τις ξεραμένες πιτσιλιές νερού και λεκέδες με ένα μαλακό καθαρό πανί.
- ▶ Μην εγκαθιστάτε τη συσκευή σε σημείο με άμεσο ηλιακό φως ή κοντά σε πηγές θερμότητας (π.χ. σόμπες, θερμαντήρες).
- ▶ Εγκαταστήστε και τοποθετήστε τη συσκευή σε μια περιοχή κατάλληλη για το μέγεθος και τη χρήση της.
- ▶ **ΠΡΟΕΙΔΟΠΟΙΗΣΗ:** Διατηρείτε τα ανοίγματα εξαερισμού στη συσκευή ή την ενσωματωμένη δομή ελεύθερα εμποδίων.
- ▶ Βεβαιωθείτε ότι οι ηλεκτρολογικές πληροφορίες στην πινακίδα τύπου συμφωνούν με την αντίστοιχη παροχή ρεύματος. Εάν όχι, επικοινωνήστε με έναν ηλεκτρολόγο.
- ▶ Η συσκευή λειτουργεί με τροφοδοσία 220-240 VAC / 50 Hz. Η μη φυσιολογική διακύμανση της τάσης μπορεί να προκαλέσει την αποτυχία εκκίνησης της συσκευής ή ζημιά στον έλεγχο θερμοκρασίας ή τον συμπιεστή ή μπορεί να υπάρχει ανώμαλος θόρυβος κατά τη λειτουργία. Στην περίπτωση αυτή, πρέπει να τοποθετηθεί ένας αυτόματος ρυθμιστής.
- ▶ Μη χρησιμοποιείτε προσαρμογείς πολλαπλών θέσεων (πολύπριζα) και καλώδια επέκτασης / προέκτασης.
- ▶ **ΠΡΟΕΙΔΟΠΟΙΗΣΗ:** Μην τοποθετείτε πολλαπλές φορητές πρίζες ή φορητά τροφοδοτικά στο πίσω μέρος της συσκευής.
- ▶ **ΠΡΟΕΙΔΟΠΟΙΗΣΗ:** Κατά την τοποθέτηση της συσκευής διασφαλίστε ότι το καλώδιο τροφοδοσίας δεν έχει παγιδευτεί ή υποστεί ζημιά.
- ▶ Μην πατάτε το καλώδιο τροφοδοσίας.
- ▶ Χρησιμοποιήστε μια ξεχωριστή γειωμένη πρίζα για την παροχή ηλεκτρικού ρεύματος, η οποία να είναι εύκολα προσβάσιμη. Αυτή η συσκευή πρέπει να είναι γειωμένη.
- ▶ **Μόνο για το Ηνωμένο Βασίλειο:** Το καλώδιο τροφοδοσίας της συσκευής είναι εξοπλισμένο με βύσμα 3-καλωδίων (με γείωση) που ταιριάζει σε μια



ΠΡΟΕΙΔΟΠΟΙΗΣΗ!

τυπική πρίζα 3-καλωδίων (πρίζα με γείωση). Ποτέ μην κόβετε ή αποσυναρμολογείτε τον τρίτο πείρο (γείωση). Μετά την εγκατάσταση της συσκευής, το βύσμα πρέπει να είναι άμεσα προσβάσιμο.

- ▶ **ΠΡΟΕΙΔΟΠΟΙΗΣΗ:** Αποφύγετε την πρόκληση ζημιών στο κύκλωμα ψύξης.
- Καθημερινή χρήση**
- ▶ Η συσκευή αυτή μπορεί να χρησιμοποιηθεί από παιδιά ηλικίας 8 ετών και άνω και από άτομα με μειωμένες σωματικές, αισθητηριακές ή διανοητικές ικανότητες ή έλλειψη εμπειρίας και γνώσης, εφόσον βρίσκονται υπό εποπτεία ή εάν τους έχουν δοθεί σαφείς οδηγίες σχετικά με τη χρήση της συσκευής με ασφαλή τρόπο και έχουν κατανοήσει επακριβώς τους σχετικούς κινδύνους.
- ▶ Τα παιδιά δεν επιτρέπεται να παίζουν με τη συσκευή.
- ▶ Τα παιδιά ηλικίας 3 έως 8 ετών επιτρέπεται να τοποθετούν και να βγάζουν (αντικείμενα) από τις ψυκτικές συσκευές, αλλά δεν επιτρέπεται να καθαρίζουν και να εγκαθιστούν τις ψυκτικές συσκευές.
- ▶ Κρατήστε μακριά τα παιδιά κάτω των 3 ετών από τη συσκευή, εκτός εάν επιβλέπονται συνεχώς.
- ▶ Ο καθαρισμός και οι εργασίες συντήρησης από τον χρήστη απαγορεύεται να γίνονται από παιδιά χωρίς επιτήρηση.
- ▶ Η συσκευή πρέπει να είναι τοποθετημένη έτσι ώστε η πρίζα να είναι προσβάσιμη.
- ▶ Εάν το αέριο άνθρακα ή άλλο εύφλεκτο αέριο διαρρέει κοντά στη συσκευή, απενεργοποιήστε τη βαλβίδα του αερίου που διαρρέει, ανοίξτε τις πόρτες και τα παράθυρα και μην αποσυνδέσετε το καλώδιο τροφοδοσίας του ψυγείου/καταψύκτη ή οποιασδήποτε άλλης συσκευής.
- ▶ Σημειώστε ότι η συσκευή έχει ρυθμιστεί για λειτουργία σε συγκεκριμένο εύρος θερμοκρασίας περιβάλλοντος μεταξύ 10 °C και 38 °C. Η συσκευή ενδέχεται να μην λειτουργεί σωστά εάν αφεθεί για μεγάλο χρονικό διάστημα σε θερμοκρασία υψηλότερη ή χαμηλότερη από το υποδεικνυόμενο εύρος τιμών.
- ▶ Μην τοποθετείτε ασταθή αντικείμενα (βαριά αντικείμενα, δοχεία γεμάτα με νερό) στο πάνω μέρος του ψυγείου/καταψύκτη, για να αποφύγετε τραυματισμούς που προκαλούνται από πτώση ή ηλεκτροπληξία που προκαλείται από την επαφή με το νερό.
- ▶ Μην τραβάτε τα ράφια της πόρτας. Η πόρτα μπορεί να βγει από τη θέση της, η σχάρα για τα μπουκάλια μπορεί να τραβηχτεί μακριά ή η συσκευή μπορεί να ανατραπεί.
- ▶ Ανοίξτε και κλείστε την πόρτα μόνο από τις λαβές. Το χάσμα μεταξύ της πόρτας και του ντουλαπιού είναι πολύ στενό. Μην βάζετε τα χέρια σας σε αυτές τις περιοχές για να αποφύγετε να πιαστούν (μαγκωθούν) τα δάκτυλά σας. Ανοίξτε ή κλείστε τις πόρτες του ψυγείου/καταψύκτη μόνο όταν δεν υπάρχουν παιδιά που να στέκονται εντός του εύρους κίνησης της πόρτας.

**ΠΡΟΕΙΔΟΠΟΙΗΣΗ!**

- ▶ Για την αποφυγή της μόλυνσης των τροφίμων, ακολουθήστε τις παρακάτω οδηγίες:
- ▶ – Το άνοιγμα της πόρτας για μεγάλα διαστήματα μπορεί να προκαλέσει σημαντική αύξηση της θερμοκρασίας στους θαλάμους της συσκευής.
- ▶ – Καθαρίζετε τακτικά τις επιφάνειες που έρχονται σε επαφή με τρόφιμα και προσβάσιμα συστήματα αποστράγγισης.
- ▶ – Καθαρίζετε τα δοχεία νερού, εάν δεν έχουν χρησιμοποιηθεί για 48 ώρες. Ξεπλύνετε το σύστημα νερού που συνδέεται σε παροχή νερού, εάν δεν έχει εκτελεστεί άντληση νερού για 5 ημέρες.
- ▶ – Αποθηκεύετε το ωμό κρέας και τα ψάρια σε κατάλληλα δοχεία στο ψυγείο, ώστε να μην έρχονται σε επαφή και να μην στάζουν επάνω σε άλλα τρόφιμα.
- ▶ – Οι θάλαμοι κατεψυγμένων τροφίμων δύο αστέρων είναι κατάλληλοι για την αποθήκευση προ-κατεψυγμένων τροφίμων, την αποθήκευση ή παρασκευή παγωτού και την παρασκευή πάγου.
- ▶ – Οι θάλαμοι ενός, δύο και τριών αστέρων δεν είναι κατάλληλοι για την ψύξη νωπών τροφίμων.
- ▶ – Εάν η συσκευή ψύξης παραμείνει κενή για μεγάλα χρονικά διαστήματα, απενεργοποιήστε, αποψύξτε, καθαρίστε, σκουπίστε και αφήστε την πόρτα ανοικτή για να αποτρέψετε τη δημιουργία μούχλας στη συσκευή.
- ▶ Ποτέ μην αποθηκεύετε στον καταψύκτη μπίρες ή ποτά, υγρά μέσα σε φιάλες ή κουτάκια (πέραν των αλκοολούχων υψηλού βαθμού), ιδιαίτερα ανθρακούχα αναψυκτικά, καθώς μπορούν να διαρραγούν κατά την ψύξη.
- ▶ Μην αποθηκεύετε εκρηκτικές ουσίες όπως δοχεία αερολύματος με εύφλεκτο περιεχόμενο σε αυτή τη συσκευή.
- ▶ Μην αποθηκεύετε φάρμακα, βακτήρια ή χημικούς παράγοντες στη συσκευή. Αυτή η συσκευή είναι μια οικιακή συσκευή. Δεν συνιστάται η αποθήκευση υλικών που απαιτούν αυστηρές θερμοκρασίες.
- ▶ Ελέγξτε την κατάσταση των τροφίμων εάν έχουν προηγηθεί συνθήκες θέρμανσης στον καταψύκτη.
- ▶ Μην ορίσετε άσκοπα χαμηλή θερμοκρασία στον θάλαμο του ψυγείου. Οι αρνητικές θερμοκρασίες μπορεί να εμφανιστούν σε υψηλές ρυθμίσεις. Προσοχή: Τα μπουκάλια μπορούν να σκάσουν
- ▶ Μην αγγίζετε κατεψυγμένα προϊόντα με βρεγμένα χέρια (φοράτε γάντια). Ειδικά μην πιείτε (τρώτε) γρανίτες αμέσως μετά την αφαίρεση από τον θάλαμο κατάψυξης. Υπάρχει ο κίνδυνος κατάψυξης ή σχηματισμός φουσκάλων παγετού. ΠΡΩΤΕΣ βοήθειες: κρατήστε αμέσως κάτω από τρεχούμενο κρύο νερό. Μην τις τραβάτε μακριά!
- ▶ Μην αγγίζετε την εσωτερική επιφάνεια του χώρου αποθήκευσης του καταψύκτη όταν λειτουργείτε, ειδικά με βρεγμένα χέρια, καθώς τα χέρια σας μπορεί να παγώσουν στην επιφάνεια.
- ▶ Αποσυνδέστε τη συσκευή από την πρίζα σε περίπτωση διακοπής ρεύματος ή πριν από τον καθαρισμό. Αφήστε τουλάχιστον 7 λεπτά πριν από την



ΠΡΟΕΙΔΟΠΟΙΗΣΗ!

επανεκκίνηση της συσκευής, καθώς η συχνή εκκίνηση μπορεί να προκαλέσει ζημιά στον συμπιεστή.

- ▶ **ΠΡΟΕΙΔΟΠΟΙΗΣΗ:** Μην χρησιμοποιείτε ηλεκτρικές συσκευές μέσα στα διαμερίσματα αποθήκευσης τροφίμων της συσκευής, εκτός εάν είναι του τύπου που συνιστά ο κατασκευαστής.

Συντήρηση / καθαρισμός

- ▶ Βεβαιωθείτε ότι τα παιδιά επιβλέπονται εάν πραγματοποιούν καθαρισμό και συντήρηση.
- ▶ Αποσυνδέστε τη συσκευή από την ηλεκτρική τροφοδοσία πριν πραγματοποιήσετε οποιαδήποτε συντήρηση ρουτίνας. Αφήστε τουλάχιστον 5 λεπτά πριν από την επανεκκίνηση της συσκευής, καθώς η συχνή εκκίνηση μπορεί να προκαλέσει ζημιά στον συμπιεστή.
- ▶ Κρατήστε το φιλτράρισμα, όχι το καλώδιο, όταν αποσυνδέετε τη συσκευή.
- ▶ Μην καθαρίζετε τη συσκευή με σκληρές βούρτσες, συρμάτινες βούρτσες, σκόνη απορρυπαντικού, βενζίνη, οξικό αμύλιο, ακετόνη και παρόμοια οργανικά διαλύματα, όξινα ή αλκαλικά διαλύματα. Καθαρίστε με ειδικό απορρυπαντικό ψυγείου /καταψύκτη για να αποφύγετε ζημιές. Ειδικά χρησιμοποιήστε ζεστό νερό και διάλυμα μαγειρικής σόδας - περίπου μια κουταλιά της σούπας μαγειρική σόδα σε ένα λίτρο / λίτρο νερού. Ξεπλύνετε πολύ καλά με νερό και στεγνώστε. Μην χρησιμοποιείτε σκόνες καθαρισμού ή άλλα λειαντικά καθαριστικά. Μην πλένετε αφαιρούμενα εξαρτήματα σε πλυντήριο πιάτων.
- ▶ Μην ξύνετε τον παγετό και τον πάγο με αιχμηρά αντικείμενα. Μην χρησιμοποιείτε σπρέι, ηλεκτρικούς θερμαντήρες όπως θερμαντήρα, στεγνωτήρα μαλλιών, ατμοκαθαριστές ή άλλες πηγές θερμότητας για να αποφύγετε ζημιές στα πλαστικά μέρη.
- ▶ **ΠΡΟΕΙΔΟΠΟΙΗΣΗ:** Μην χρησιμοποιείτε μηχανικές συσκευές ή άλλα μέσα για να επιταχύνετε τη διαδικασία απόψυξης, παρά μόνο όσα συνιστώνται από τον κατασκευαστή.
- ▶ Αν το καλώδιο παροχής ρεύματος έχει φθαρεί πρέπει να αντικατασταθεί από τον κατασκευαστή ή τον αντιπρόσωπο του σέρβις ή παρόμοια εξουσιοδοτημένα πρόσωπα, προς αποφυγή του κινδύνου.
- ▶ Μην προσπαθήσετε να επισκευάσετε, να αποσυναρμολογήσετε ή να τροποποιήσετε τη συσκευή μόνοι σας. Σε περίπτωση επισκευής επικοινωνήστε με την εξυπηρέτηση πελατών μας.
- ▶ Εάν οι λυχνίες φωτισμού έχουν υποστεί ζημιά πρέπει να αντικατασταθούν από τον κατασκευαστή ή τον αντιπρόσωπο του σέρβις ή παρόμοια εξουσιοδοτημένα πρόσωπα, προς αποφυγή του κινδύνου.
- ▶ Απομακρύνετε τη σκόνη στο πίσω μέρος της μονάδας τουλάχιστον μία φορά το χρόνο για να αποφύγετε τον κίνδυνο από πυρκαγιά, καθώς και την αυξημένη κατανάλωση ενέργειας.
- ▶ Μην ψεκάζετε ή ξεπλένετε τη συσκευή κατά τον καθαρισμό.
- ▶ Μην χρησιμοποιείτε σπρέι νερού ή ατμό για να καθαρίσετε τη συσκευή.



ΠΡΟΕΙΔΟΠΟΙΗΣΗ!

- ▶ Μην καθαρίζετε τα κρύα γυάλινα ράφια ή τα γυάλινα ράφια της πόρτας με ζεστό νερό. Η απότομη αλλαγή θερμοκρασίας μπορεί να προκαλέσει το σπάσιμο του γυαλιού.
- ▶ Εάν αφήσετε τη συσκευή σας εκτός λειτουργίας για μεγάλο χρονικό διάστημα, αφήστε την ανοιχτή για να αποφύγετε την οσμή και τις δυσάρεστες μυρωδιές που συσσωρεύονται μέσα.

Πληροφορίες για τα ψυκτικά αέρια



ΠΡΟΕΙΔΟΠΟΙΗΣΗ!

Η συσκευή περιέχει το εύφλεκτο ψυκτικό μέσο ΙΣΟΒΟΥΤΑΝΙΟ (R600a). Βεβαιωθείτε ότι το κύκλωμα ψυκτικού δεν έχει υποστεί ζημιά κατά τη μεταφορά ή την εγκατάσταση. Η διαρροή ψυκτικού μπορεί να προκαλέσει τραυματισμούς στα μάτια ή ανάφλεξη. Εάν έχει προκληθεί ζημιά, κρατήστε το μακριά από ανοιχτές πηγές πυρκαγιάς, αερίστε καλά το δωμάτιο, **μην** συνδέσετε ή αποσυνδέσετε τα καλώδια τροφοδοσίας της συσκευής ή οποιασδήποτε άλλης συσκευής. Ενημερώστε την εξυπηρέτηση πελατών.

Σε περίπτωση που τα μάτια έρθουν σε επαφή με το ψυκτικό μέσο, ξεπλύνετε τα αμέσως κάτω από τρεχούμενο νερό και καλέστε αμέσως τον οφθαλμίατρο.

ΠΡΟΕΙΔΟΠΟΙΗΣΗ: Το σύστημα ψύξης είναι υπό υψηλή πίεση. Μην το σκαλίζετε και μην το πειράζετε. Δεδομένου ότι χρησιμοποιούνται εύφλεκτα ψυκτικά μέσα, παρακαλούμε, εγκαταστήστε, χειριστείτε και συντηρήστε τη συσκευή επακριβώς αυστηρά και σύμφωνα με τις οδηγίες και ελάτε σε επαφή με τον επαγγελματικό πράκτορα ή την υπηρεσία μεταπωλήσεων μας για την απόρριψη της συσκευής.



ΠΡΟΕΙΔΟΠΟΙΗΣΗ!

Για ψυγεία με λειτουργία παγωμένου νερού, δώστε προσοχή στην ακόλουθη προειδοποίηση:

Για συσκευές που δεν προορίζονται να συνδεθούν με την παροχή νερού:

ΠΡΟΕΙΔΟΠΟΙΗΣΗ: γεμίστε μόνο με πόσιμο νερό.

Για συσκευές που προορίζονται να συνδεθούν με την παροχή νερού:

ΠΡΟΕΙΔΟΠΟΙΗΣΗ: συνδέστε μόνο με παροχή πόσιμου νερού.

Αν θέλετε να καθαρίσετε το σύστημα νερού, ανατρέξτε στο Εγχειρίδιο Χρήσης. Εάν έχετε οποιοσδήποτε ερωτήσις, επικοινωνήστε με το τμήμα εξυπηρέτησης μετά την πώληση.

Προβλεπόμενη χρήση

Αυτή η συσκευή προορίζεται για ψύξη και κατάψυξη τροφίμων. Έχει σχεδιαστεί αποκλειστικά για χρήση σε οικιακές και παρόμοιες εφαρμογές, όπως χώρους κουζίνας προσωπικού σε καταστήματα, γραφεία και άλλα εργασιακά περιβάλλοντα. αγροικίες και από πελάτες σε ξενοδοχεία, μοτέλ και άλλα περιβάλλοντα οικιστικού τύπου, καθώς και σε ξενοδοχειακές επιχειρήσεις bed-and-breakfast και catering. Δεν προορίζεται για εμπορική ή βιομηχανική χρήση.

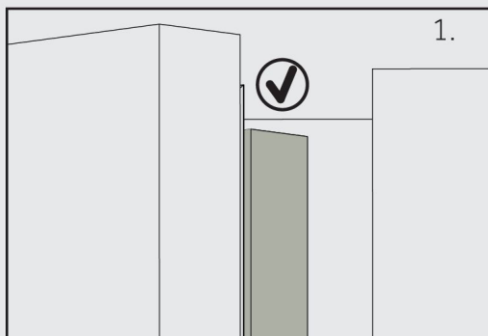
Δεν επιτρέπονται αλλαγές ή τροποποιήσεις στη συσκευή. Η μη προβλεπόμενη χρήση μπορεί να προκαλέσει κινδύνους και απώλεια αξιώσεων εγγύησης.

Πρότυπα και οδηγίες **CE** και **UKCA**

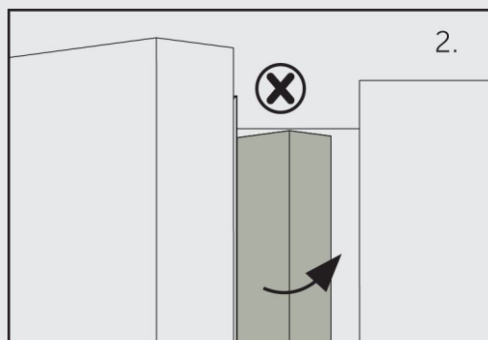
Αυτό το προϊόν πληροί τις απαιτήσεις όλων των εφαρμοστέων κοινοτικών οδηγιών με τα αντίστοιχα εναρμονισμένα πρότυπα και τα πρότυπα του Ηνωμένου Βασιλείου, τα οποία προβλέπουν τις σημάνσεις CE και UKCA.



ΠΡΟΣΟΧΗ!



Όταν κλείνετε την πόρτα, η κάθετη λωρίδα της πόρτας στην αριστερή πόρτα του ψυγείου πρέπει να είναι λυγισμένη προς τα μέσα (1).



Εάν προσπαθήσετε να κλείσετε την αριστερή πόρτα και η κάθετη λωρίδα της πόρτας δεν είναι λυγισμένη (2), θα πρέπει να την λυγίσετε πρώτα, διαφορετικά η λωρίδα της πόρτας θα χτυπήσει τον άξονα στερέωσης ή τη δεξιά πόρτα. Έτσι θα προκληθεί ζημιά στο ολισθήμα της πόρτας ή διαρροή.

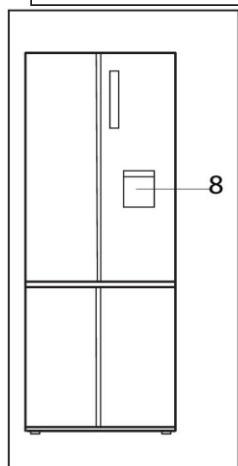
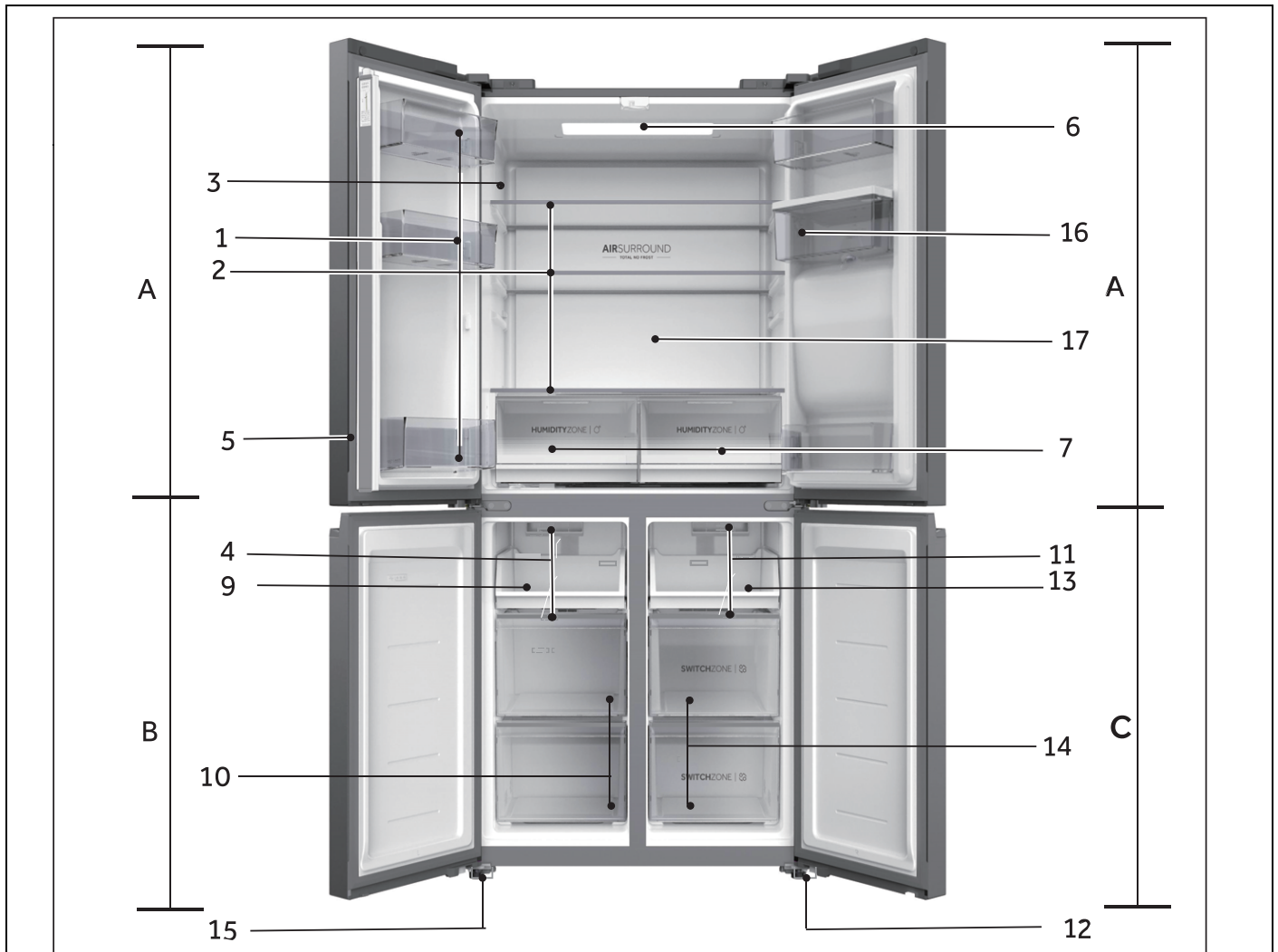
Υπάρχει ένα νήμα θέρμανσης μέσα στο πλαίσιο. Η θερμοκρασία της επιφάνειας θα αυξηθεί λίγο, κάτι που είναι φυσιολογικό και δεν θα επηρεάσει τη λειτουργία της συσκευής.



Σημείωση

Λόγω τεχνικών αλλαγών και διαφορετικών μοντέλων, ορισμένες από τις εικόνες σε αυτό το εγχειρίδιο ενδέχεται να διαφέρουν από το μοντέλο σας.

Μοντέλο (HCW58F18EWMP)



A: Θάλαμος ψυγείου

- 1 Ράφι πόρτας
- 2 Ράφι ντουλαπιού
- 3 Πινακίδα ονομαστικών στοιχείων
- 5 Ταινία πόρτας
- 6 Φωτιστικό οροφής
- 7 Συρτάρι Humidity zone
- 8 Διανομέας νερού
- 16 Δεξαμενή νερού
- 17 Αεραγωγός

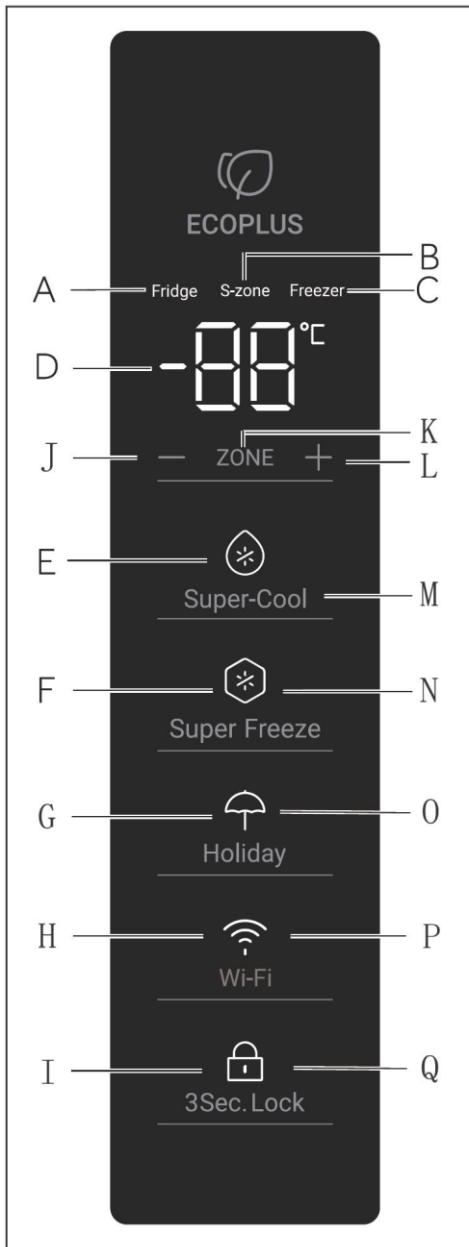
B: Διαμέρισμα καταψύκτη

- 4 Αεραγωγός
- 9 Δοχείο αποθήκευσης
- 10 Συρτάρι αποθήκευσης
- 15 Ρυθμιζόμενα πόδια

C: Διαμέρισμα Switch Zone

- 11 Αεραγωγός
- 12 Ρυθμιζόμενα πόδια
- 13 Δοχείο αποθήκευσης
- 14 Συρτάρι αποθήκευσης Switch Zone

Πίνακας ελέγχου (HCW58F18EWMP)



Ένδειξη:

- A Θάλαμος ψυγείου
- B Switch Zone
- C Θάλαμος καταψύκτη
- D Οθόνη θερμοκρασίας
- E Λειτουργία Super Cool
- F Λειτουργία Super Freeze
- G Λειτουργία Holiday
- H Λειτουργία Wi Fi
- I Κλείδωμα πίνακα

Κουμπιά:

- J Έλεγχος θερμοκρασίας "-"
- K Επιλογή θαλάμου
- L Έλεγχος θερμοκρασίας "+"
- M Επιλογέας λειτουργίας Super Cool
- N Επιλογέας λειτουργίας Super Freeze
- O Επιλογέας λειτουργίας Holiday
- P On/off λειτουργίας Wi-Fi
- Q Επιλογέας κλειδώματος πίνακα

Πριν από την πρώτη χρήση

- ▶ Αφαιρέστε όλα τα υλικά συσκευασίας, κρατήστε τα μακριά από τα παιδιά και απορρίψτε τα με φιλικό προς το περιβάλλον τρόπο.
- ▶ Καθαρίστε το εσωτερικό και το εξωτερικό της συσκευής με νερό και ένα ήπιο απορρυπαντικό πριν βάλετε οποιοδήποτε φαγητό σε αυτό.
- ▶ Αφού η συσκευή τοποθετηθεί απολύτως ίσια στο δάπεδο και καθαριστεί, περιμένετε τουλάχιστον 2-5 ώρες πριν τη συνδέσετε στην παροχή ρεύματος. Ανατρέξτε στην ενότητα ΕΓΚΑΤΑΣΤΑΣΗ.
- ▶ Προψύξτε τους θαλάμους σε υψηλές ρυθμίσεις πριν τοποθετήσετε τρόφιμα. Η λειτουργία Power-Freeze βοηθά στην γρήγορη ψύξη των θαλάμων.
- ▶ Η θερμοκρασία ψυγείου, η θερμοκρασία Switch Zone και η θερμοκρασία καταψύκτη ρυθμίζονται αυτόματα στους 5°C, -18°C και -18°C αντίστοιχα. Αυτές είναι οι προτεινόμενες ρυθμίσεις. Εάν θέλετε, μπορείτε να αλλάξετε αυτές τις θερμοκρασίες χειροκίνητα. Ανατρέξτε στην ενότητα ΡΥΘΜΙΣΗ ΘΕΡΜΟΚΡΑΣΙΑΣ.

Πλήκτρα αισθητήρων

Τα κουμπιά στον πίνακα ελέγχου είναι πλήκτρα αισθητήρων, τα οποία ανταποκρίνονται ήδη όταν αγγίζονται ελαφρά με το δάχτυλο.

Ενεργοποίηση /απενεργοποίηση της συσκευής

Η συσκευή λειτουργεί μόλις συνδεθεί με την παροχή ρεύματος.

Όταν ενεργοποιηθεί για πρώτη φορά το ψυγείο, ανάβει η ένδειξη "D" (Ένδειξη θερμοκρασίας). Η θερμοκρασία του ψυγείου, η θερμοκρασία Switch Zone και η θερμοκρασία του καταψύκτη ρυθμίζονται αυτόματα στους 5°C, -18°C και -18°C αντίστοιχα.

Ίσως το κλείδωμα του πίνακα να είναι ενεργό.



Σημείωση

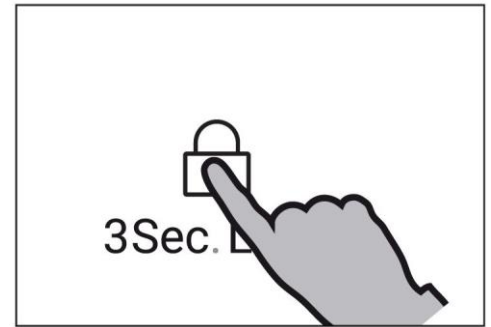
Η συσκευή είναι προρρυθμισμένη στη συνιστώμενη θερμοκρασία 5°C (ψυγείο), -18°C, (Switch Zone) και -18°C (καταψύκτης). Υπό κανονικές συνθήκες περιβάλλοντος δεν χρειάζεται να ορίσετε θερμοκρασία.

Όταν η συσκευή είναι ενεργοποιημένη μετά την αποσύνδεση από την κύρια παροχή ρεύματος, μπορεί να χρειαστούν έως και 12 ώρες για να επιτευχθούν οι σωστές θερμοκρασίες.

Αδειάστε τη συσκευή πριν τη σβήσετε. Για να απενεργοποιήσετε τη συσκευή, τραβήξτε το καλώδιο τροφοδοσίας από την πρίζα.

Πίνακας κλειδώματος/ξεκλειδώματος

Η οθόνη οθόνης απενεργοποιείται αυτόματα 30 δευτερόλεπτα μετά το πάτημα ενός πλήκτρου. Η οθόνη θα κλειδωθεί αυτόματα. Ανάβει αυτόματα όταν πατάτε οποιοδήποτε πλήκτρο ή ανοίγετε οποιαδήποτε πόρτα.



Σημείωση

Η θερμοκρασία ψυγείου, η θερμοκρασία Switch Zone, η θερμοκρασία καταψύκτη, η λειτουργία Super Cool, η λειτουργία Super Freeze, η λειτουργία Holiday και η λειτουργία Wi-Fi δεν μπορούν να ρυθμιστούν σε κατάσταση κλειδώματος.

Κατάσταση αναμονής

Η οθόνη οθόνης απενεργοποιείται αυτόματα 30 δευτερόλεπτα αφού πατήσετε ένα πλήκτρο. Η οθόνη θα κλειδωθεί αυτόματα. Ανάβει αυτόματα αγγίζοντας οποιοδήποτε πλήκτρο ή ανοίγοντας την πόρτα. (Ο συναγερμός δεν ανάβει την οθόνη ενδείξεων).

Χειρωνακτικός τρόπος ρύθμισης

Αν θέλετε να ρυθμίσετε χειρωνακτικά τη θερμοκρασία της συσκευής, μπορείτε να ρυθμίσετε το κουμπί ρύθμισης θερμοκρασίας (ανατρέξτε στο «ΡΥΘΜΙΣΗ ΘΕΡΜΟΚΡΑΣΙΑΣ»)

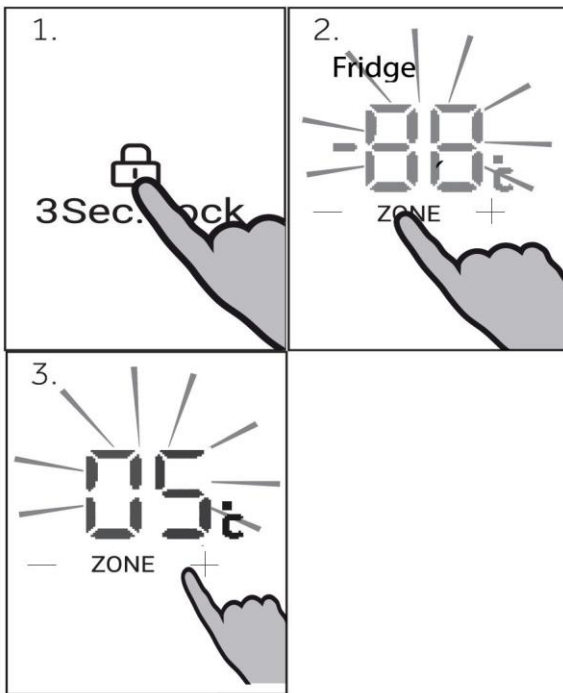
Ρύθμιση θερμοκρασίας

Οι εσωτερικές θερμοκρασίες επηρεάζονται από τους ακόλουθους παράγοντες:

- ▶ Θερμοκρασία περιβάλλοντος
- ▶ Συχνότητα ανοίγματος πόρτας
- ▶ Ποσότητα αποθηκευμένων τροφίμων
- ▶ Εγκατάσταση της συσκευής

Συναγερμός πόρτας

Ο συναγερμός πόρτας θα ενεργοποιηθεί όταν η πόρτα ανοίγει για μεγάλο χρονικό διάστημα ή δεν έχει κλείσει σωστά, ως υπενθύμιση.



Ρύθμιση θερμοκρασίας του ψυγείου

Ξεκλειδώστε τις ρυθμίσεις πατώντας παρατεταμένα το πλήκτρο "Q" για 3 δευτερόλεπτα.

Στην κατάσταση ξεκλειδώματος, πατήστε το πλήκτρο "K" (Επιλογή θαλάμου) για εναλλαγή μεταξύ των θαλάμων. Όταν ανάβει η ένδειξη "A" (ένδειξη θαλάμου ψυγείου), πατήστε το πλήκτρο "J" (Έλεγχος θερμοκρασίας) ή το πλήκτρο "L" (Έλεγχος θερμοκρασίας "+") για να ρυθμίσετε τη θερμοκρασία του θαλάμου ψυγείου. Η τιμή που εμφανίζεται στην ένδειξη "D" μειώνεται κατά 1°C κάθε φορά που πατάτε το πλήκτρο "J".

Η οθόνη αναβοσβήνει και μετατρέπεται σε σταθερή με τη ρυθμισμένη θερμοκρασία, στη συνέχεια σβήνει μετά από μερικά δευτερόλεπτα. Αντίστοιχα, η τιμή που εμφανίζεται στην ένδειξη "D" αυξάνεται κατά 1°C κάθε φορά που πατάτε το πλήκτρο "L". Η οθόνη αναβοσβήνει και μετατρέπεται σε σταθερή με τη ρυθμισμένη θερμοκρασία, στη συνέχεια σβήνει μετά από μερικά δευτερόλεπτα. Η θερμοκρασία του θαλάμου ψυγείου μπορεί να ρυθμιστεί από 1°C έως 9°C με προσαυξήσεις 1°C.

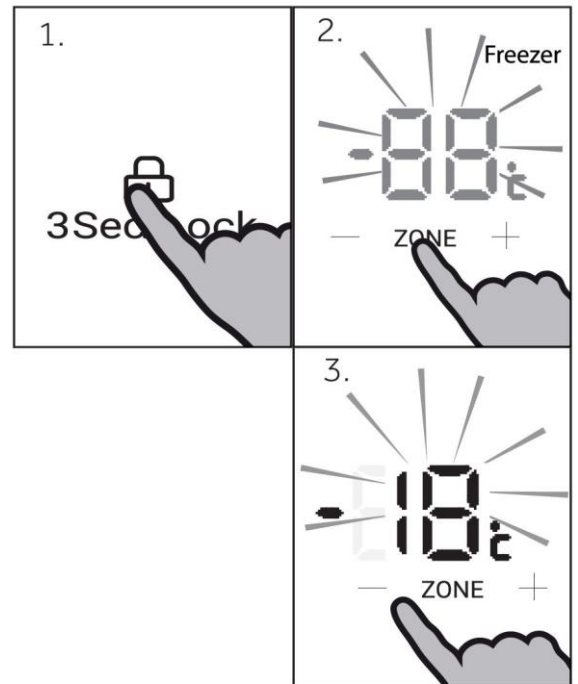
Σημείωση

Η θερμοκρασία του ψυγείου δεν μπορεί να ρυθμιστεί σε κατάσταση Super Cool, Holiday και κλειδώματος.

Ρύθμιση θερμοκρασίας του καταψύκτη

Ξεκλειδώστε τις ρυθμίσεις πατώντας παρατεταμένα το πλήκτρο "Q" για 3 δευτερόλεπτα.

Στην κατάσταση ξεκλειδώματος, πατήστε το πλήκτρο "K" (Επιλογή θαλάμου) για εναλλαγή μεταξύ των θαλάμων. Όταν ανάβει η ένδειξη "C" (ένδειξη θαλάμου καταψύκτη), πατήστε το πλήκτρο "J" (Έλεγχος θερμοκρασίας "-") ή το πλήκτρο "L" (Έλεγχος θερμοκρασίας "+") για να ρυθμίσετε τη θερμοκρασία του θαλάμου καταψύκτη. Η τιμή που εμφανίζεται στην ένδειξη "D" μειώνεται κατά 1°C κάθε φορά που πατάτε το πλήκτρο "J". Η οθόνη αναβοσβήνει και μετατρέπεται σε σταθερή με τη ρυθμισμένη θερμοκρασία, στη συνέχεια σβήνει μετά από μερικά δευτερόλεπτα. Αντίστοιχα, η τιμή που εμφανίζεται στην ένδειξη "D" αυξάνεται κατά 1°C κάθε φορά που πατάτε το πλήκτρο "L". Η οθόνη αναβοσβήνει και μετατρέπεται σε σταθερή με τη ρυθμισμένη θερμοκρασία, στη συνέχεια σβήνει μετά από μερικά δευτερόλεπτα. Η θερμοκρασία του θαλάμου καταψύκτη μπορεί να ρυθμιστεί από -14°C έως -24°C με προσαυξήσεις 1°C.



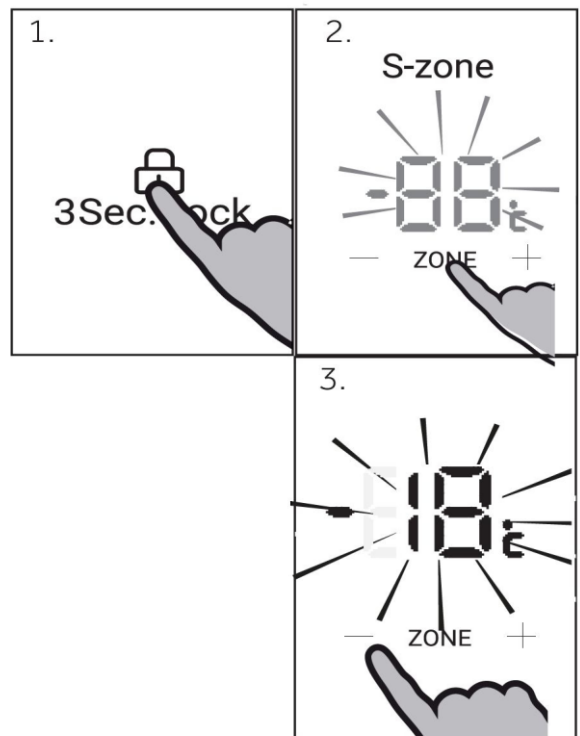
Σημείωση

Η θερμοκρασία του καταψύκτη δεν μπορεί να ρυθμιστεί σε κατάσταση Super Freeze και κλειδώματος.

Ρύθμιση θερμοκρασίας Switch Zone

Ξεκλειδώστε τις ρυθμίσεις πατώντας παρατεταμένα το πλήκτρο "Q" για 3 δευτερόλεπτα.

Στην κατάσταση ξεκλειδώματος, πατήστε το πλήκτρο "K" (Επιλογή θαλάμου) για εναλλαγή μεταξύ των θαλάμων. Όταν ανάβει η ένδειξη "B" (ένδειξη Switch Zone), πατήστε το πλήκτρο "J" (Έλεγχος θερμοκρασίας "-") ή το πλήκτρο "L" (Έλεγχος θερμοκρασίας "+") για να ρυθμίσετε τη θερμοκρασία του θαλάμου Switch Zone. Η τιμή που εμφανίζεται στην ένδειξη "D" μειώνεται κατά 1°C κάθε φορά που πατάτε το πλήκτρο "J". Η οθόνη αναβοσβήνει και μετατρέπεται σε σταθερή με τη ρυθμισμένη θερμοκρασία, στη συνέχεια σβήνει μετά από μερικά δευτερόλεπτα. Αντίστοιχα, η τιμή που εμφανίζεται στην ένδειξη "D" αυξάνεται κατά 1°C κάθε φορά που πατάτε το πλήκτρο "L". Η οθόνη αναβοσβήνει και μετατρέπεται σε σταθερή με τη ρυθμισμένη θερμοκρασία, στη συνέχεια σβήνει μετά από μερικά δευτερόλεπτα. Η θερμοκρασία του θαλάμου Switch Zone μπορεί να ρυθμιστεί από 5°C έως -18°C με προσαυξήσεις 1°C.



Σημείωση

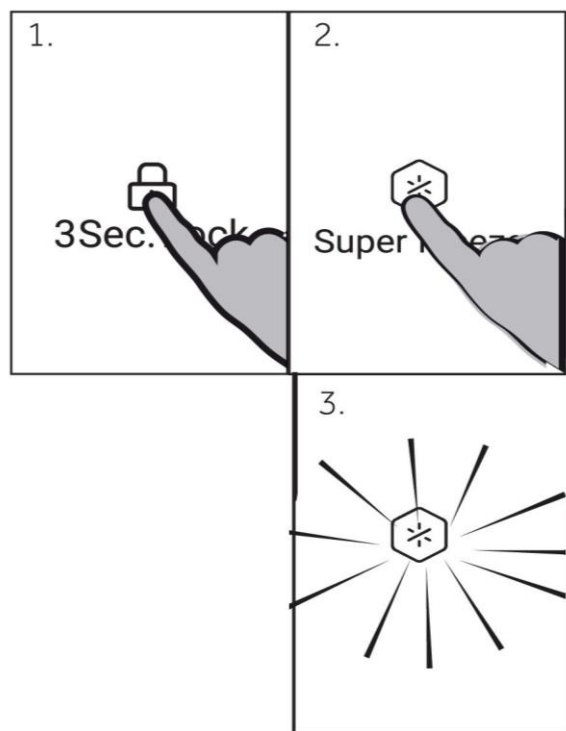
Η θερμοκρασία Switch Zone δεν μπορεί να ρυθμιστεί σε κατάσταση κλειδώματος.

Λειτουργία Super Freeze

Η λειτουργία Super Freeze μπορεί να καταψύχει τα νωπά τρόφιμα, το συντομότερο δυνατό, μέχρι τον πυρήνα, επιταχύνοντας την κατάψυξη για να διατηρήσει την καλύτερη θρεπτική αξία, εμφάνιση και γεύση των τροφίμων. Εάν κάποια φορά πρέπει να καταψύξετε μια μεγάλη ποσότητα τροφίμων, συνιστάται να ρυθμίσετε τη λειτουργία Super Freeze 24 ώρες νωρίτερα από τη χρήση του θαλάμου καταψύκτη.

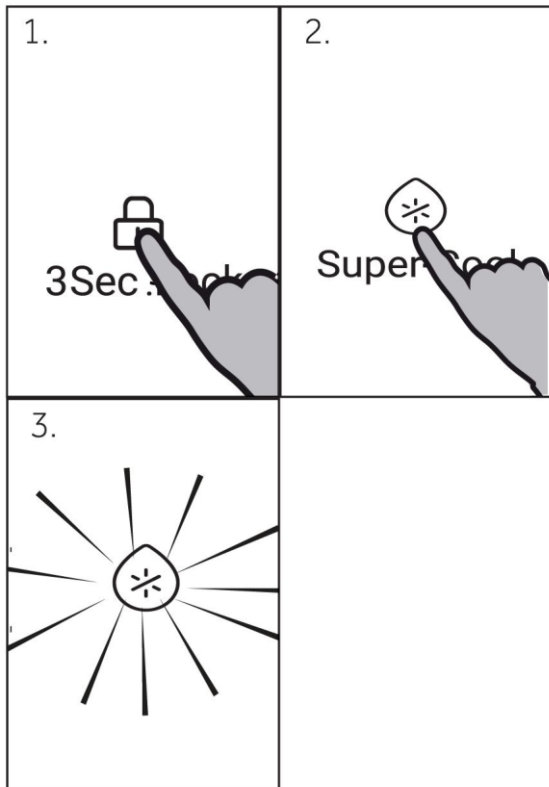
Ξεκλειδώστε τις ρυθμίσεις πατώντας παρατεταμένα το πλήκτρο "Q" για 3 δευτερόλεπτα.

Σε κατάσταση ξεκλειδώματος, πατήστε το πλήκτρο "N" (επιλογέας λειτουργίας Super Freeze), η ένδειξη "F" (ένδειξη λειτουργίας Super Freeze) ανάβει, το προϊόν εισέρχεται σε λειτουργία Super Freeze. Το προϊόν εξέρχεται αυτόματα από τη λειτουργία Super Freeze μετά από 50 ώρες ενεργοποίησης. Για μη αυτόματη έξοδο από τη λειτουργία Super Freeze, πατήστε το πλήκτρο "N" (επιλογέας λειτουργίας Super Freeze) σε κατάσταση ξεκλειδώματος, η ένδειξη "F" (ένδειξη λειτουργίας Super Freeze) σβήνει, το προϊόν εξέρχεται από τη λειτουργία Super Freeze.



Σημείωση

Στη λειτουργία Super Freeze, το πλήκτρο "J" (Έλεγχος θερμοκρασίας "-") και το πλήκτρο "L" (Έλεγχος θερμοκρασίας "+") είναι κλειδωμένα όταν έχει επιλεγεί ο θάλαμος καταψύκτη και η θερμοκρασία του θαλάμου καταψύκτη δεν μπορεί να ρυθμιστεί.



Λειτουργία Super Cool

Αφού τοποθετήσετε τα τρόφιμα στον θάλαμο ψυγείου, εάν θέλετε να τα κρυώσετε γρήγορα, μπορείτε να ενεργοποιήσετε τη λειτουργία Super Cool.

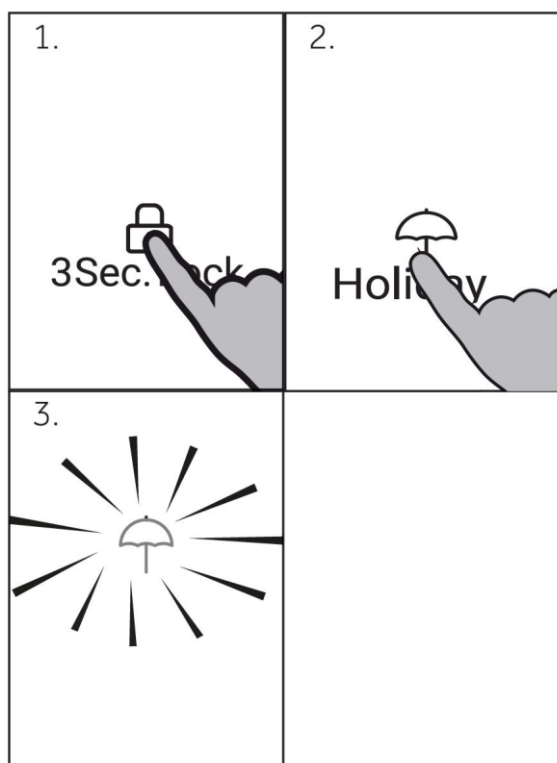
Ξεκλειδώστε τις ρυθμίσεις πατώντας παρατεταμένα το πλήκτρο "Q" για 3 δευτερόλεπτα.

Σε κατάσταση ξεκλειδώματος, πατήστε το πλήκτρο "M" (επιλογέας λειτουργίας Super Cool), η ένδειξη "E" (ένδειξη λειτουργίας Super Cool) ανάβει, το προϊόν εισέρχεται σε λειτουργία Super Cool. Το προϊόν εξέρχεται αυτόματα από τη λειτουργία Super Cool μετά από 6 ώρες ενεργοποίησης. Για μη αυτόματη έξοδο από τη λειτουργία Super Cool, πατήστε το πλήκτρο "M" (επιλογέας λειτουργίας Super Cool) σε κατάσταση ξεκλειδώματος, η ένδειξη "E" (ένδειξη λειτουργίας Super Cool) σβήνει, το προϊόν εξέρχεται από τη λειτουργία Super Cool.



Σημείωση

Η λειτουργία Super Cool απενεργοποιείται αυτόματα όταν επιλέγεται η λειτουργία Holiday. Στη λειτουργία Super Cool, το πλήκτρο "T" (Έλεγχος θερμοκρασίας "-") και το πλήκτρο "L" (Έλεγχος θερμοκρασίας "+") είναι κλειδωμένα όταν έχει επιλεγεί ο θάλαμος ψυγείου και η θερμοκρασία του θαλάμου ψυγείου δεν μπορεί να ρυθμιστεί.



Λειτουργία Holiday

Στη λειτουργία Holiday, ο θάλαμος ψυγείου ρυθμίζεται αυτόματα στους 17°C (για εξοικονόμηση ενέργειας), ενώ ο θάλαμος Switch Zone και καταψύκτη λειτουργούν σε κανονικές ρυθμίσεις θερμοκρασίας.

Ξεκλειδώστε τις ρυθμίσεις πατώντας παρατεταμένα το πλήκτρο "Q" για 3 δευτερόλεπτα.

Σε κατάσταση ξεκλειδώματος, πατήστε το πλήκτρο "O" (επιλογέας λειτουργίας Holiday), η ένδειξη "G" (ένδειξη λειτουργίας Holiday) ανάβει, το προϊόν εισέρχεται σε λειτουργία Holiday. Για έξοδο, πατήστε το πλήκτρο "O" (επιλογέας λειτουργίας Holiday), η ένδειξη "G" σβήνει και το προϊόν εξέρχεται από τη λειτουργία Holiday.


i Σημείωση

Η λειτουργία Holiday εξέρχεται αυτόματα όταν είναι ενεργοποιημένη η λειτουργία Super Cool. Στη λειτουργία Holiday, το πλήκτρο "J" (Έλεγχος θερμοκρασίας "-") και το πλήκτρο "L" (Έλεγχος θερμοκρασίας "+") είναι κλειδωμένα όταν έχει επιλεγεί ο θάλαμος ψυγείου και η θερμοκρασία του θαλάμου ψυγείου δεν μπορεί να ρυθμιστεί.

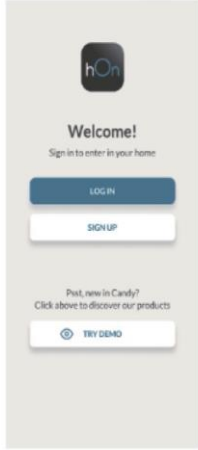
Ρύθμιση λειτουργίας Wi-Fi

ΔΙΑΔΙΚΑΣΙΑ ΖΕΥΞΗΣ ΕΝΤΟΣ ΕΦΑΡΜΟΓΗΣ

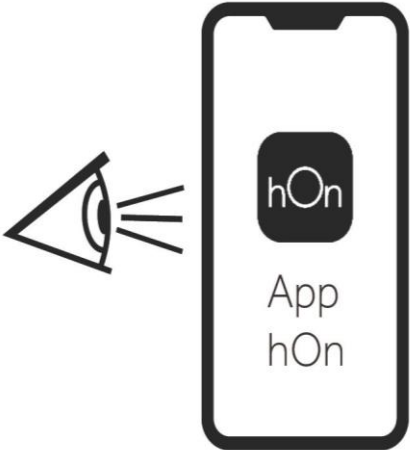
Βήμα 1 • Κατεβάστε την εφαρμογή hOn στους σχετικούς χώρους



Βήμα 2 Δημιουργήστε το λογαριασμό σας στην εφαρμογή hOn ή συνδεθείτε εάν έχετε ήδη λογαριασμό



Βήμα 3 Ακολουθήστε τις οδηγίες ζεύξης της εφαρμογής hOn



Λειτουργία Wi Fi

Εάν το Wi-Fi δεν έχει ρυθμιστεί ακόμα, όταν το ψυγείο ενεργοποιείται για πρώτη φορά, θα εισέλθει αυτόματα στη λειτουργία διαμόρφωσης και θα διατηρήσει αυτήν την κατάσταση για 30 λεπτά.

Το εικονίδιο Wi-Fi "H" αναβοσβήνει γρήγορα και η εγγραφή προϊόντων μπορεί να ξεκινήσει.

1. Ακολουθήστε τις οδηγίες στην εφαρμογή για να διαμορφώσετε το Wi-Fi.
2. Μόλις ρυθμιστεί το Wi-Fi και δημιουργηθεί η σύνδεση, το εικονίδιο Wi-Fi "H" θα είναι ενεργό και σταθερό.
3. Μετά από 30 λεπτά χωρίς να εκτελείται καμία λειτουργία, το Wi-Fi θα εξέλθει αυτόματα από τη λειτουργία διαμόρφωσης.
4. Εάν το Wi-Fi έχει ήδη διαμορφωθεί, θα επανασυνδεθεί αυτόματα σύμφωνα με τα στοιχεία διαμόρφωσης, αν ενεργοποιείται το Wi-Fi.



Σημείωση

1. Αυτό το προϊόν δεν προορίζεται για εμπορική χρήση.
2. Συχνότητα λειτουργίας πομπού: 2400 MHz~2483,5MHz
3. Μέγιστη ισχύς εξόδου πομπού: 20dBm



Σημείωση

1. Για να απενεργοποιήσετε το Wi-Fi, πατήστε το πλήκτρο Wi-Fi "P" και το εικονίδιο Wi-Fi "H" απενεργοποιείται.
2. Για να ενεργοποιήσετε το Wi-Fi και να ξεκινήσετε τη διαμόρφωση, πατήστε το πλήκτρο Wi-Fi "P" και το εικονίδιο Wi-Fi "H" αρχίζει να αναβοσβήνει αργά. Εάν θέλετε να απενεργοποιήσετε τη λειτουργία Wi-Fi, πατήστε το πλήκτρο "P" μία φορά. Εάν θέλετε να διαμορφώσετε τη λειτουργία Wi-Fi, πατήστε το πλήκτρο "P" για 3 δευτερόλεπτα αλλά λιγότερο από 20 δευτερόλεπτα, δημιουργείται ένα ακουστικό σήμα, το εικονίδιο Wi-Fi αναβοσβήνει γρήγορα και εισέρχεται στη λειτουργία διαμόρφωσης. Τα παραπάνω βήματα επαναλαμβάνονται.
3. εάν το προϊόν έχει διαμορφωθεί και η λειτουργία Wi-Fi ήταν απενεργοποιημένη, το ψυγείο δεν θα εισέλθει στη λειτουργία διαμόρφωσης μόλις συνδεθεί ξανά στο ρεύμα.
4. Μόλις ρυθμιστεί το Wi-Fi και δημιουργηθεί η σύνδεση, το εικονίδιο Wi-Fi "H" θα είναι ενεργό και σταθερό.

Συναγερμός πόρτας

Ο συναγερμός πόρτας θα ενεργοποιηθεί όταν η πόρτα ανοίγει για μεγάλο χρονικό διάστημα ή δεν έχει κλείσει σωστά, ως υπενθύμιση.

ΠΟΡΤΑ ΨΥΓΕΙΟΥ ΓΙΑ ΑΡΙΣΤΕΡΑ

ΠΟΡΤΑ ΨΥΓΕΙΟΥ ΓΙΑ ΔΕΞΙΑ

ΠΟΡΤΑ ΚΑΤΑΨΥΚΤΗ

ΠΟΡΤΑ SWITCH ZONE

Διανομέας νερού

Μέσω του διανομέα νερού μπορεί να χρησιμοποιηθεί κρύο πόσιμο νερό.

Η δεξαμενή νερού πρέπει να καθαρίζεται πριν από την πρώτη χρήση (δείτε ΦΡΟΝΤΙΔΑ ΚΑΙ ΚΑΘΑΡΙΣΜΟΣ).

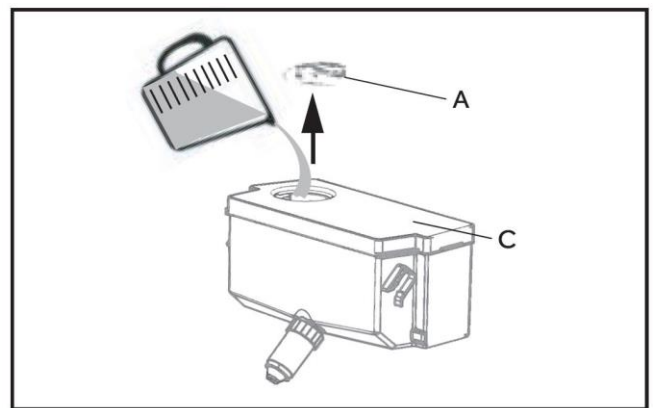
Γέμισμα της δεξαμενής νερού



ΠΡΟΕΙΔΟΠΟΙΗΣΗ!

Γεμίστε μόνο με πόσιμο νερό.

1. Βεβαιωθείτε ότι το νερό έχει εισαχθεί σωστά (δείτε ΕΞΟΠΛΙΣΜΟΣ)
2. Περιστρέψτε και σηκώστε το στρογγυλό καπάκι (A) και γεμίστε τη δεξαμενή νερού με φρέσκο πόσιμο νερό.
3. Γεμίστε με νερό μόνο μέχρι το σχετικό σημάδι (2.5l), καθώς μπορεί να ξεχειλίζει όταν η πόρτα ανοίγει και κλείνει.
4. Κλείστε καλά το στρογγυλό καπάκι (A) μέχρι να ασφαλίσει στη θέση του.

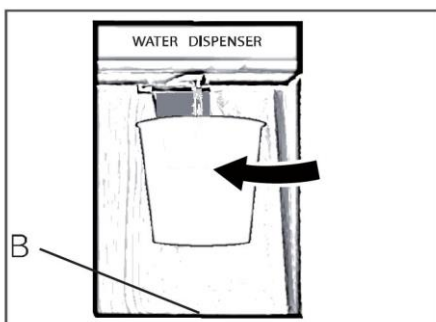


Σημείωση: Διανομέας νερού

Πριν ξαναγεμίσετε, απορρίπτετε το υπόλοιπο νερό και καθαρίζετε τη δεξαμενή.

Όταν δεν χρειάζεστε νερό για μεγάλο χρονικό διάστημα, αδειάστε τη δεξαμενή νερού και τοποθετήστε την δεξαμενή καθαρισμένη.

Το κάλυμμα (C) στη δεξαμενή νερού χρησιμοποιείται επιπλέον για εξοικονόμηση ενέργειας. Εάν δεν θέλετε να πάρετε νερό από τον διανομέα νερού για μεγάλο χρονικό διάστημα, εγκαταστήστε το κάλυμμα διότι έτσι εξασφαλίζεται καλύτερη μόνωση και εξοικονόμηση ενέργειας.



Λήψη νερού από τον διανομέα

1. Τοποθετήστε ένα ποτήρι κάτω από την έξοδο νερού.
2. Σπρώξτε το απαλά κόντρα στον μοχλό του διανομέα νερού. Βεβαιωθείτε ότι το ποτήρι είναι σε ίδια διάταξη με τον διανομέα για να αποτρέψετε το νερό να εκτοξευτεί.
3. Το νερό στο δοχείο (B) πρέπει να αφαιρεθεί εγκαίρως, καθώς μπορεί να ξεχειλίζει όταν ανοίγει και κλείνει η πόρτα.

Συμβουλές για την αποθήκευση νωπών τροφίμων

Αποθήκευση στον θάλαμο ψυγείου

- ▶ Διατηρήστε τη θερμοκρασία του ψυγείου σας κάτω από 5° C.
- ▶ Το ζεστό φαγητό πρέπει να ψύχεται σε θερμοκρασία δωματίου πριν από την αποθήκευση στη συσκευή.
- ▶ Τα τρόφιμα που αποθηκεύονται στο ψυγείο πρέπει να πλένονται και να στεγνώνουν πριν από την αποθήκευση
- ▶ Τα τρόφιμα προς αποθήκευση θα πρέπει να σφραγίζονται σωστά για να αποφευχθούν δυσοσμίες ή αλλοιώσεις γεύσης.
- ▶ Μην αποθηκεύετε υπερβολικές ποσότητες τροφίμων. Αφήστε κενά μεταξύ των τροφίμων για να επιτρέψετε στον κρύο αέρα να ρέει γύρω τους, για καλύτερη και πιο ομοιογενή ψύξη.
- ▶ Τα τρόφιμα που τρώγονται καθημερινά πρέπει να αποθηκεύονται στο μπροστινό μέρος του ραφιδιού.
- ▶ Αφήστε ένα κενό μεταξύ τροφίμων και εσωτερικών τοιχωμάτων, επιτρέποντας τη ροή του αέρα. Ιδιαίτερως και με κάθε τρόπο μην αποθηκεύετε τρόφιμα σε επαφή με το πίσω τοίχωμα: τα τρόφιμα θα μπορούσαν να παγώσουν σε επαφή με το πίσω τοίχωμα. Αποφύγετε την άμεση επαφή των τροφίμων (ιδιαίτερα των ελαιωδών ή όξινων τροφίμων) με την εσωτερική επένδυση, καθώς το λάδι/οξύ μπορεί να διαβρώσει την εσωτερική επένδυση. Καθαρίστε τη λιπαρή/όξινη βρωμιά όποτε βρεθεί.
- ▶ Να αποψύχετε τα κατεψυγμένα τρόφιμα στο χώρο αποθήκευσης του ψυγείου. Με αυτόν τον τρόπο, μπορείτε να χρησιμοποιήσετε τα κατεψυγμένα τρόφιμα για να μειώσετε τη θερμοκρασία στον θάλαμο και να εξοικονομήσετε ενέργεια.
- ▶ Η διαδικασία παλαίωσης φρούτων και λαχανικών όπως κολοκυθάκια, πεπόνια, παπάγια, μπανάνα, ανανάς κλπ., μπορεί να επιταχυνθεί στο ψυγείο. Ως εκ τούτου, δεν συνιστάται η αποθήκευσή τους στο ψυγείο. Ωστόσο, η ωρίμανση (γήρανση) των φρούτων που έχουν έντονη τάση ωρίμανσης μπορεί να επιταχυνθεί για μια συγκεκριμένη περίοδο. Τα κρεμμύδια, το σκόρδο, το τζιντζερ και άλλα λαχανικά που διαθέτουν ρίζες θα πρέπει επίσης να αποθηκεύονται σε θερμοκρασία δωματίου.
- ▶ Οι δυσάρεστες οσμές μέσα στο ψυγείο είναι ένα σημάδι ότι κάτι έχει χυθεί και απαιτείται καθαρισμός. Βλέπε ΦΡΟΝΤΙΔΑ ΚΑΙ ΚΑΘΑΡΙΣΜΟΣ.
- ▶ Διαφορετικά τρόφιμα πρέπει να τοποθετούνται σε διαφορετικές περιοχές ανάλογα με τις ιδιότητές τους:

i Σημείωση

Κρατήστε απόσταση μεγαλύτερη από 10 mm μεταξύ των τροφίμων που τοποθετούνται και του αεραγωγού ή των αισθητήρων, για να εξασφαλίσετε το ψυκτικό αποτέλεσμα.



- 1 Βούτυρο, τυριά, κ.λπ.
- 2 Αυγά, κονσέρβες, κονσερβοποιημένα τρόφιμα, μπαχαρικά κλπ.
- 3 Ποτά και εμφιαλωμένο φαγητό.
- 4 Τουρσί, κονσερβοποιημένα τρόφιμα κλπ.
- 5 Προϊόντα κρέατος, σνακ, ζυμαρικά, κονσέρβες, γάλα, τόφου, γαλακτοκομικά κλπ.
- 6 Μαγειρευτά κρέατα, λουκάνικα κλπ.
- 7 Συρτάρι Humidity zone: Φρούτα, λαχανικά, σαλάτα, κ.λπ.
- 8 Συρτάρι Humidity zone: Φρούτα, λαχανικά, σαλάτα, κ.λπ.

Αποθήκευση στον θάλαμο Switch Zone

Ο θάλαμος Switch Zone σας επιτρέπει να ρυθμίζετε τη θερμοκρασία μεταξύ -18°C και 5°C σύμφωνα με τις απαιτήσεις αποθήκευσης τροφίμων και σας παρέχει περαιτέρω ευελιξία στις επιλογές αποθήκευσης, για την άνεσή σας.

-18°C	Για γενικά κατεψυγμένα στοιχεία που απαιτούν αποθήκευση μεταξύ 1-12 μηνών.	Κρέας, πουλερικά, θαλασσινά, προμαγειρεμένα τρόφιμα και περισσεύματα, ορισμένα φρούτα και λαχανικά, παγωτό και άλλα κατεψυγμένα επιδόρπια.
-7°C	Επιτρέπει την εύκολη διανομή σε μερίδες των τροφίμων και τη δυνατότητα να ζεστάνετε, μαγειρέψετε ή σερβίρετε τα τρόφιμα απευθείας από τον θάλαμο χωρίς να περιμένετε να αποψυχθούν.	Κρέατα, θαλασσινά, σούπες, σάλτσες, πολτοποιημένα τρόφιμα, ψωμί, επιδόρπια και αρτοσκευάσματα. Σημείωση: Συνιστάται για αποθήκευση κρεμωδών επιδορπίων όπως το παγωτό.
0°C	Παρέχεται η τέλεια ζώνη αποθήκευσης για εξαιρετικά ευπαθή τρόφιμα, για να διασφαλιστεί ότι διατηρούν την αναγκαία φρεσκάδα και ποιότητά τους.	Πολύ ευπαθή κρέατα, πουλερικά και θαλασσινά. Αλκοολούχα ποτά όπως η μπύρα.
5°C	Η ιδανική λειτουργία για φρέσκα τρόφιμα όπως φρούτα και λαχανικά, γαλακτοκομικά προϊόντα, κρέατα και ποτά.	Φρούτα και λαχανικά, γαλακτοκομικά προϊόντα, μαρμελάδες και τσάντνι/κομπόστα, κρέατα και ποτά.

Αποθήκευση στον θάλαμο καταψύκτη

- ▶ Διατηρήστε τη θερμοκρασία καταψύκτη στους -18°C .
- ▶ 24 ώρες πριν την κατάψυξη ανάψτε τη λειτουργία Super-freeze -για μικρές ποσότητες τροφίμων επαρκούν 4-6 ώρες.
- ▶ Το ζεστό πόδι πρέπει να ψυχθεί σε θερμοκρασία δωματίου πριν από την αποθήκευση στο χώρο κατάψυξης.
- ▶ Τα τρόφιμα που κόβονται σε μικρές μερίδες θα παγώσουν γρηγορότερα και θα είναι πιο εύκολο να ξεπαγώσουν και να μαγειρευτούν. Το συνιστώμενο βάρος για κάθε μερίδα είναι μικρότερο από 2,5 κιλά
- ▶ Είναι καλύτερα να συσκευάσετε το φαγητό πριν το βάλετε στον καταψύκτη. Το εξωτερικό της συσκευασίας πρέπει να είναι στεγνό για να αποφεύγονται οι σακούλες που κολλάνε μεταξύ τους. Τα υλικά συσκευασίας πρέπει να είναι χωρίς οσμές, αεροστεγή, μη δηλητηριώδη και μη τοξικά.
- ▶ Για να αποφύγετε τη λήξη των περιόδων αποθήκευσης, παρακαλείστε να σημειώσετε την ημερομηνία κατάψυξης, την προθεσμία και το όνομα του τροφικού στη συσκευασία ανάλογα με τις περιόδους αποθήκευσης διαφορετικών τροφίμων.
- ▶ **ΠΡΟΕΙΔΟΠΟΙΗΣΗ!** Οξύ, αλκάλια και αλάτι κ.λπ.θα μπορούσαν να διαβρώσουν την εσωτερική επιφάνεια του καταψύκτη. Μην τοποθετείτε τα τρόφιμα που έχουν αυτές τις ουσίες (π.χ. θαλάσσια ψάρια) απευθείας στην εσωτερική επιφάνεια. Το αλμυρό νερό στην κατάψυξη πρέπει να καθαριστεί αμέσως.
- ▶ Μην υπερβαίνετε τους χρόνους αποθήκευσης τροφίμων που προτείνουν οι κατασκευαστές. Βγάλτε μόνο την απαιτούμενη ποσότητα τροφής από την κατάψυξη.
- ▶ Καταναλώστε τα αποψυγμένα τρόφιμα γρήγορα. Το παγωμένο φαγητό δεν μπορεί να καταψυχθεί εκ νέου εκτός εάν μαγειρευτεί για πρώτη φορά, διαφορετικά μπορεί να χαλάσει και να μην τρώγεται.
- ▶ Μην τοποθετείτε υπερβολικές ποσότητες νωπών τροφίμων στον θάλαμο κατάψυξης. Ανατρέξτε στην ικανότητα κατάψυξης του καταψύκτη - Δείτε στο ΤΕΧΝΙΚΑ ΔΕΔΟΜΕΝΑ ή δεδομένα στην πινακίδα τύπου.
- ▶ Τα τρόφιμα μπορούν να αποθηκευτούν στον καταψύκτη σε θερμοκρασία τουλάχιστον -18°C για 2 έως 12 μήνες, ανάλογα με τις ιδιότητές του (π.χ. κρέας: 3-12 μήνες, λαχανικά: 6-12 μήνες)
- ▶ Κατά την κατάψυξη νωπών τροφίμων, αποφύγετε να τα φέρετε σε επαφή με ήδη κατεψυγμένα τρόφιμα. Κίνδυνος απόψυξης!

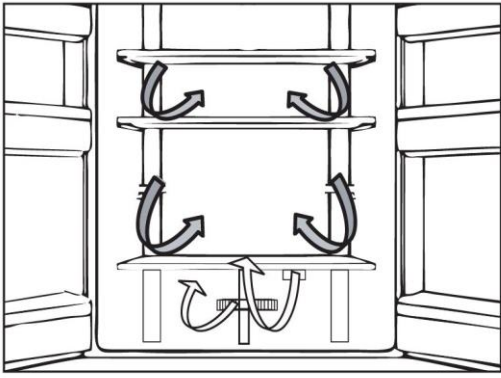
Κατά την αποθήκευση εμπορικά κατεψυγμένων τροφίμων, ακολουθήστε αυτές τις οδηγίες:

- ▶ Να ακολουθείτε πάντα τις οδηγίες των κατασκευαστών για το χρονικό διάστημα για το οποίο πρέπει να αποθηκεύετε τρόφιμα. Μην υπερβαίνουμε αυτές τις οδηγίες!
- ▶ Προσπαθήστε να διατηρήσετε το χρονικό διάστημα μεταξύ αγοράς και αποθήκευσης όσο το δυνατόν συντομότερο για να διατηρήσετε την ποιότητα των τροφίμων.
- ▶ Αγοράστε κατεψυγμένα τρόφιμα, τα οποία έχουν αποθηκευτεί σε θερμοκρασία -18°C ή χαμηλότερη.
- ▶ Αποφύγετε να αγοράζετε τρόφιμα που έχουν πάγο ή δροσοπάγο πάνω στη συσκευασία - Αυτό υποδηλώνει ότι τα προϊόντα μπορεί να έχουν αποψυχθεί μερικώς και να έχουν καταψυχθεί ξανά κάποια στιγμή - οι αυξήσεις της θερμοκρασίας επηρεάζουν την ποιότητα των τροφίμων.



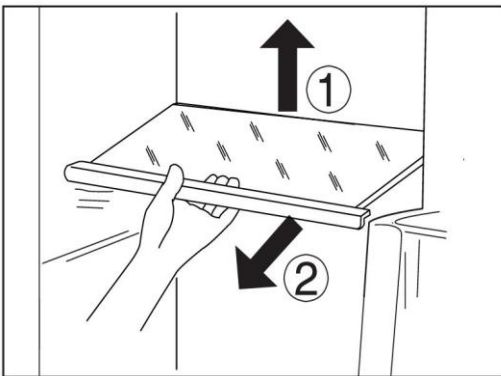
Σημείωση

- ▶ Κρατήστε απόσταση μεγαλύτερη από 10 mm μεταξύ των τροφίμων που τοποθετούνται και του αεραγωγού, για να εξασφαλίσετε το ψυκτικό αποτέλεσμα.



Πολλαπλή ροή αέρα

Το ψυγείο είναι εξοπλισμένο με σύστημα πολλαπλών ροών αέρα, το οποίο παρέχει ροή κρύου αέρα σε κάθε επίπεδο στα ράφια. Αυτό βοηθά στη διατήρηση μιας ομοιόμορφης θερμοκρασίας για να διασφαλιστεί ότι το φαγητό σας διατηρείται πιο φρέσκο για μεγαλύτερο χρονικό διάστημα.



Ρυθμιζόμενα ράφια

Το ύψος των ραφιών μπορεί να ρυθμιστεί ώστε να ταιριάζει στις ανάγκες αποθήκευσης.

1. Για να μετακινήσετε ένα ράφι, αφαιρέστε το πρώτα ανυψώνοντας την οπίσθια άκρη του (1) και τραβώντας το έξω (2).
2. Για να το επανατοποθετήσετε, τοποθετήστε το στις υποδοχές και στις δύο πλευρές και σπρώξτε το στην πίσω θέση μέχρι το πίσω μέρος του ραφιού να στερεωθεί στις πλαϊνές σχισμές



Σημείωση:

Βεβαιωθείτε ότι όλα τα άκρα ενός ραφιού είναι επίπεδα.

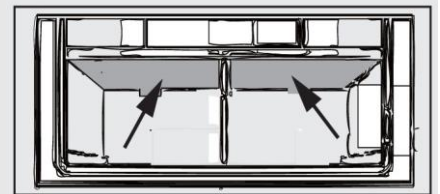
Συρτάρι Humidity zone

Σε αυτόν τον θάλαμο το επίπεδο υγρασίας είναι περίπου 85%. Ελέγχεται αυτόματα από το σύστημα και είναι κατάλληλο για αποθήκευση φρούτων, λαχανικών, σαλατικών κ.λπ.



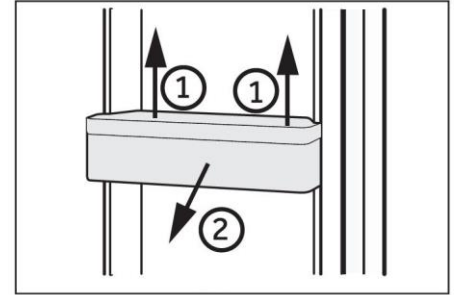
Σημείωση:

- ▶ Μην αφαιρείτε το πλαστικό κάλυμμα μέσα στις δύο ζώνες. Διατηρούν την υγρασία.
- ▶ Φρούτα ευαίσθητα στο κρύο όπως ανανάς, αβοκάντο, μπανάνες, γκρέιπφρουτ και λαχανικά όπως πατάτες, μελιτζάνες, φασόλια, αγγούρια, κολοκυθάκια και ντομάτες και τυρί δεν θα πρέπει να αποθηκεύονται σε αυτά τα δύο συρτάρια.



Αφαιρούμενα ράφια πόρτας

Τα ράφια των πορτών μπορούν να αφαιρεθούν για καθαρισμό: Τοποθετήστε τα χέρια σε κάθε πλευρά της σχάρας, σηκώστε την προς τα πάνω (1) και τραβήξτε την προς τα έξω (2). Για την εισαγωγή της σχάρας της πόρτας, τα παραπάνω βήματα πραγματοποιούνται με αντίστροφη σειρά.

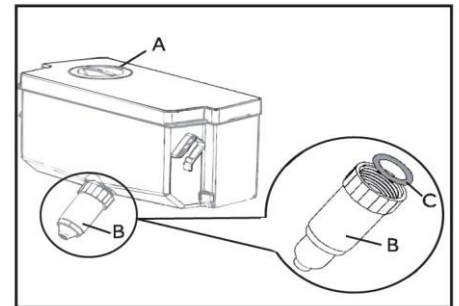


Αφαιρούμενη δεξαμενή νερού

Η δεξαμενή νερού μπορεί να αφαιρεθεί για καθαρισμό και να επανεγκατασταθεί με τον ίδιο τρόπο όπως και τα ράφια της πόρτας.

Εισαγάγετε τη δεξαμενή νερού

Τοποθετήστε τη δεξαμενή νερού στη θέση όπου η έξοδος νερού (B) προσαρμόζεται στο άνοιγμα της πόρτας. Βεβαιωθείτε ότι η δεξαμενή νερού είναι κλειδωμένη.



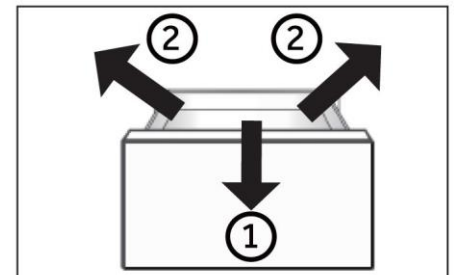
Σημείωση: Δεξαμενή νερού

Βεβαιωθείτε ότι το στόμιο είναι καλά βιδωμένο στη δεξαμενή νερού και ότι το λευκό O-ριγκ (C) είναι στη θέση του.

Εάν η δεξαμενή νερού δεν έχει τοποθετηθεί σωστά, μπορεί να στάξει νερό από τη σύνδεση. Μην ασκείτε υπερβολική δύναμη κατά την αφαίρεση ή την εγκατάσταση της δεξαμενής νερού, για να αποφύγετε την καταστροφή της δεξαμενής.

Αφαιρούμενο συρτάρι καταψύκτη

Για να αφαιρέσετε το συρτάρι προς τα έξω, τραβήξτε προς τα έξω στο μέγιστο βαθμό (1), σηκώστε και αφαιρέστε (2). Για την τοποθέτηση του συρταριού, τα παραπάνω βήματα γίνονται με αντίστροφη σειρά.



ΠΡΟΑΙΡΕΤΙΚΑ: OK-δείκτης θερμοκρασίας

Ο δείκτης θερμοκρασίας OK μπορεί να χρησιμοποιηθεί για τον προσδιορισμό θερμοκρασιών κάτω των +4°C. Μειώστε σταδιακά τη θερμοκρασία εάν η πινακίδα δεν δείχνει OK».



Το φως

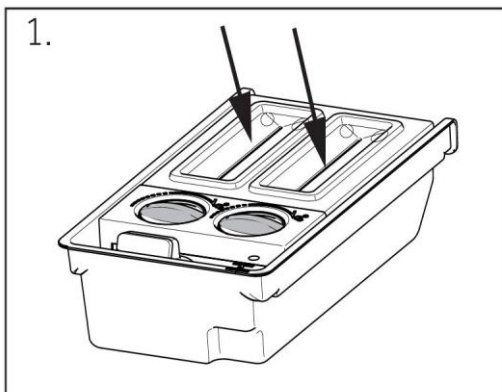
Ο εσωτερικός φωτισμός LED ανάβει όταν ανοίγει η πόρτα και σβήνει αυτόματα εάν η πόρτα μείνει ανοιχτή για περισσότερα από 7 λεπτά. Η απόδοση των φώτων δεν επηρεάζεται από καμία από τις άλλες ρυθμίσεις της συσκευής.



Συμβουλές εξοικονόμησης ενέργειας

- ▶ Βεβαιωθείτε ότι η συσκευή αερίζεται σωστά (δείτε ΕΓΚΑΤΑΣΤΑΣΗ).
- ▶ Μην εγκαθιστάτε τη συσκευή σε σημείο με άμεσο ηλιακό φως ή κοντά σε πηγές θερμότητας (π.χ. σόμπες, θερμαντήρες).
- ▶ Αποφύγετε την άσκοπα χαμηλή θερμοκρασία στη συσκευή. Η κατανάλωση ενέργειας αυξάνεται όσο χαμηλότερη είναι η θερμοκρασία στη συσκευή.
- ▶ Λειτουργίες όπως το Super- Freeze καταναλώνουν περισσότερη ενέργεια.
- ▶ Αφήστε το ζεστό φαγητό να κρυώσει πριν το τοποθετήσετε μέσα στη συσκευή.
- ▶ Να ανοίγετε την πόρτα της συσκευής όσο το δυνατόν λιγότερες φορές και για όσο πιο σύντομα γίνεται.
- ▶ Μην γεμίζετε και φορτώνετε υπερβολικά τη συσκευή για να αποφύγετε τη φραγή του αέρα χαμηλά.
- ▶ Αποφύγετε το να υπάρχει αέρας μέσα στη συσκευασία των τροφίμων.
- ▶ Διατηρείτε καθαρά τα στεγανοποιητικά της πόρτας ούτως ώστε η πόρτα να κλείνει πάντοτε σωστά.
- ▶ Να αποψύχετε τα κατεψυγμένα τρόφιμα στο χώρο αποθήκευσης του ψυγείου.
- ▶ Η διαμόρφωση εξοικονόμησης ενέργειας απαιτεί τη διατήρηση του συρταριού, του κουτιού τροφίμων και των ραφιών όπως ακριβώς είναι, δηλαδή στην εργοστασιακή τους κατάσταση, και την τοποθέτηση των τροφίμων με τέτοιο τρόπο, ώστε να μην εμποδίζεται η έξοδος αεραγωγού.

Παραγωγή παγοκύβων

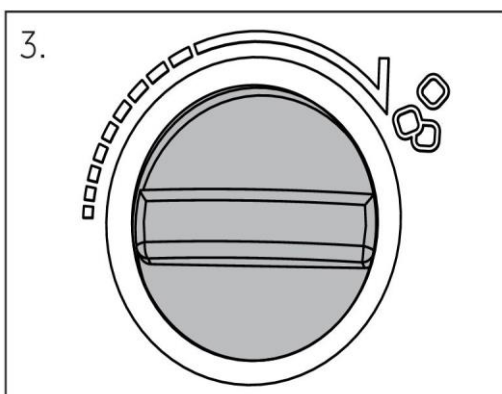


1. Ρίξτε δροσερό πόσιμο νερό σε κάθε δοχείο παρασκευής πάγου σύμφωνα με τον βαθμό κλίμακας μέσα στο κύπελλο μέτρησης, μην υπερβαίνετε τον βαθμό κλίμακας



Σημείωση:

Μην φέρνετε το νερό ανάμεσα στα 2 κουμπιά, διαφορετικά τα κουμπιά μπορεί να παγώσουν και τα παγάκια να μην μπορούν να πέσουν στο δοχείο αποθήκευσης.



2. Τοποθετήστε το δοχείο στον θάλαμο κατάψυξης.
3. Αφού το νερό γίνει πάγος, βγάλτε την παγομηχανή από τη συσκευή και περιστρέψτε το κουμπί με το χέρι. Στη συνέχεια, τα κομμάτια πάγου θα πέσουν αυτόματα στην παγοθήκη. Αφαιρέστε το κάλυμμα και μαζέψτε τα παγάκια.



ΠΡΟΕΙΔΟΠΟΙΗΣΗ!

Αποσυνδέστε τη συσκευή από την τροφοδοσία πριν από τον καθαρισμό.

Καθαρισμός

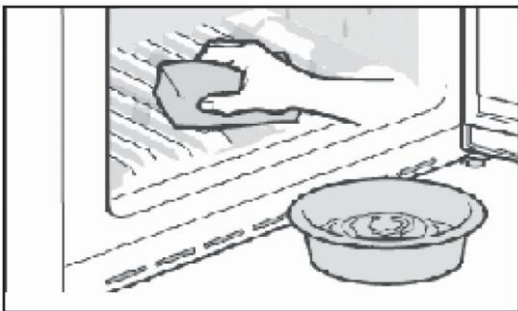
Καθαρίστε τη συσκευή μόνο όταν υπάρχουν αποθηκευμένα λίγα ή καθόλου τρόφιμα.

Η συσκευή πρέπει να καθαρίζεται κάθε τέσσερις εβδομάδες για καλή συντήρηση και για την αποφυγή αποθηκευμένων τροφίμων με δυσάρεστες οσμές.



ΠΡΟΕΙΔΟΠΟΙΗΣΗ!

- ▶ Μην καθαρίζετε τη συσκευή με σκληρές βούρτσες, συρμάτινες βούρτσες, σκόνη απορρυπαντικού, βενζίνη, οξικό αμύλιο, ακετόνη και παρόμοια οργανικά διαλύματα, όξινα ή αλκαλικά διαλύματα. Καθαρίστε με ειδικό απορρυπαντικό ψυγείου για να αποφύγετε ζημιές.
- ▶ Μην ψεκάζετε ή ξεπλύνετε τη συσκευή κατά τον καθαρισμό.
- ▶ Μην χρησιμοποιείτε σπρέι νερού ή ατμό για να καθαρίσετε τη συσκευή.
- ▶ Μην καθαρίζετε τα κρύα γυάλινα ράφια με ζεστό νερό. Η απότομη αλλαγή θερμοκρασίας μπορεί να προκαλέσει το σπάσιμο του γυαλιού.
- ▶ Μην αγγίζετε την εσωτερική επιφάνεια του χώρου αποθήκευσης του καταψύκτη, ειδικά με βρεγμένα χέρια, καθώς τα χέρια σας μπορεί να παγώσουν στην επιφάνεια.
- ▶ Σε περίπτωση θέρμανσης ελέγξτε την κατάσταση των κατεψυγμένων αγαθών.

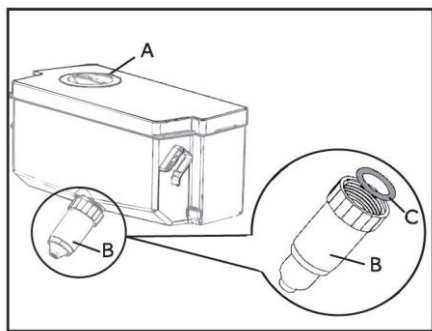


- ▶ Διατηρείτε πάντα το λάστιχο της πόρτας καθαρό.
 - ▶ Καθαρίστε το εσωτερικό και το περίβλημα της συσκευής με ένα σφουγγάρι βρεγμένο σε ζεστό νερό και ουδέτερο απορρυπαντικό.
1. Παρακαλώ τρίψτε το εσωτερικό και το εξωτερικό του ψυγείου, συμπεριλαμβανομένης της σφράγισης των θυρών, της σχάρας της πόρτας, των γυάλινων ραφιών, των κιβωτίων και ούτω καθεξής, με μια μαλακή πετσέτα ή σφουγγάρι βουτηγμένο σε ζεστό νερό (μπορείτε να προσθέσετε ουδέτερο απορρυπαντικό στο ζεστό νερό).
 2. Εάν χυθεί υγρό, αφαιρέστε όλα τα μολυσμένα μέρη, ξεπλύνετε απευθείας με το νερό ροής, στεγνώστε και τοποθετήστε το πίσω στο ψυγείο.
 3. Εάν υπάρχει χυμένη κρέμα (όπως η κρέμα γάλακτος, το παγωτό που λιώνει), αφαιρέστε όλα τα μολυσμένα μέρη, βάλτε στο ζεστό νερό με περίπου 40 °C για κάποιο χρονικό διάστημα, στη συνέχεια ξεπλύνετε με το νερό ροής, στεγνώστε και τοποθετήστε το ξανά στο ψυγείο.
 4. Σε περίπτωση που κάποιο μικρό μέρος ή εξάρτημα κολλήσει μέσα στο ψυγείο (ανάμεσα σε ράφια ή συρτάρια), χρησιμοποιήστε μια μικρή μαλακή βούρτσα για να το απελευθερώσετε. Εάν δεν μπορέσετε να φτάσετε το εξάρτημα, επικοινωνήστε με την υπηρεσία Haier
 - ▶ Ξεπλύνετε και στεγνώστε με μαλακό πανί.
 - ▶ Μην καθαρίζετε κανένα από τα μέρη της συσκευής σε πλυντήριο πιάτων.
 - ▶ Αφήστε τουλάχιστον 5 λεπτά πριν από την επανεκκίνηση της συσκευής, καθώς η συχνή εκκίνηση μπορεί να προκαλέσει ζημιά στον συμπιεστή.

Απόψυξη

Η απόψυξη των διαμερισμάτων του ψυγείου και του καταψύκτη γίνεται αυτόματα, δεν απαιτείται χειροκίνητη λειτουργία.

Καθαρισμός της δεξαμενής νερού

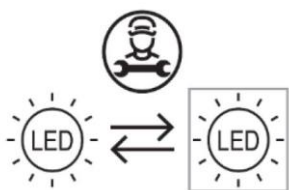


1. Βγάλτε τη δεξαμενή νερού από τη συσκευή
2. Αφαιρέστε το κάλυμμα (A).
3. Ξεβιδώστε το στόμιο του διανομέα (B).
4. Καθαρίστε τη δεξαμενή και το στόμιο διανομής με ζεστό νερό και υγρό απορρυπαντικό πιάτων. Βεβαιωθείτε ότι όλο το σαπούνι έχει ξεπλυθεί τελείως.
5. Τοποθετήστε τον διανομέα έξω (B) και φροντίστε να είναι καλά βιδωμένος στη δεξαμενή νερού και ότι το O-ριγκ (C) είναι στη θέση του.
6. Κλείστε το κάλυμμα (A) και επανατοποθετήστε τη δεξαμενή μέσα στη συσκευή.

i Σημείωση: Δεξαμενή νερού

Εάν η δεξαμενή νερού δεν έχει τοποθετηθεί σωστά, μπορεί να στάξει νερό από τη σύνδεση. Μην ασκείτε υπερβολική δύναμη κατά την αφαίρεση ή την εγκατάσταση της δεξαμενής νερού, για να αποφύγετε ζημιές.

Αντικατάσταση των λαμπτήρων LED



Αντικαταστάσιμη (μόνο LED) πηγή φωτός από επαγγελματία

Αυτό το προϊόν περιέχει μια πηγή φωτός κατηγορίας ενεργειακής απόδοσης G

θάλαμος	Τάση	μέγιστη ισχύς	Κατηγορία ενεργειακής απόδοσης	Μοντέλο
Ψυγείο	DC 12V	5 W	G	HCW58F18EWMP

Μη χρήση για μεγαλύτερα διαστήματα

Εάν η συσκευή δεν χρησιμοποιηθεί για εκτεταμένο χρονικό διάστημα και δεν πρόκειται να χρησιμοποιήσετε τη λειτουργία μόνο Holiday ή τη λειτουργία απενεργοποίησης του ψυγείου για το ψυγείο:

- ▶ Αφαιρέστε τα τρόφιμα.
- ▶ Αποσυνδέστε το καλώδιο τροφοδοσίας.
- ▶ Αδειάστε και καθαρίστε τη δεξαμενή νερού
- ▶ Καθαρίστε τη συσκευή, όπως περιγράφεται παραπάνω.
- ▶ Διατηρήστε τις πόρτες ανοικτές για να αποτρέψετε τη δημιουργία δυσοσμίας στο εσωτερικό.



Σημείωση

Απενεργοποιήστε τη συσκευή μόνο εάν είναι απολύτως απαραίτητο.

Μετακίνηση της συσκευής

1. Αφαιρέστε όλα τα τρόφιμα και αποσυνδέστε τη συσκευή.
2. Ασφαλίστε τα ράφια και τα άλλα κινητά μέρη στο ψυγείο και στον καταψύκτη με κολλητική ταινία.
3. Μην γέρνετε το ψυγείο περισσότερο από 45° ώστε να αποφύγετε ζημιά στο ψυκτικό σύστημα.

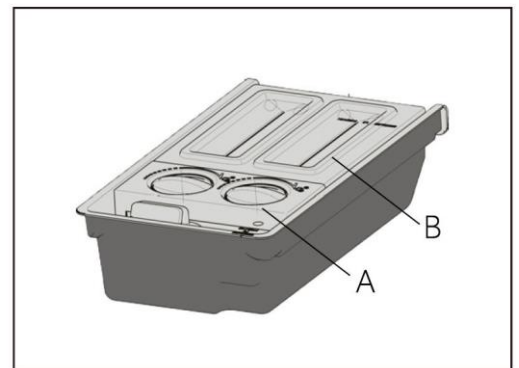


ΠΡΟΕΙΔΟΠΟΙΗΣΗ!

- ▶ Μην σηκώνετε τη συσκευή από τις λαβές της.
- ▶ Μην τοποθετείτε ποτέ τη συσκευή οριζόντια στο έδαφος.

Καθαρισμός της παγομηχανής

1. Βγάλτε την παγομηχανή από τη συσκευή.
2. Αφαιρέστε το κάλυμμα (A) και (B).
3. Καθαρίστε την παγομηχανή με ζεστό νερό και υγρό απορρυπαντικό πιάτων. Βεβαιωθείτε ότι όλο το σαπούνι έχει ξεπλυθεί τελείως.
4. Κλείστε τα καλύμματα, ξαναγεμίστε με πόσιμο νερό και επανατοποθετήστε την παγομηχανή μέσα στη συσκευή.



Πολλά προβλήματα που παρουσιάζονται θα μπορούσαν να επιλυθούν από τον εαυτό σας χωρίς ειδική εμπειρογνωμοσύνη. Σε περίπτωση προβλήματος, ελέγξτε όλες τις εμφανιζόμενες δυνατότητες και ακολουθήστε τις παρακάτω οδηγίες προτού επικοινωνήσετε με το τμήμα εξυπηρέτησης πελατών μετά την πώληση. Δείτε την ενότητα ΕΞΥΠΗΡΕΤΗΣΗ ΠΕΛΑΤΩΝ.



ΠΡΟΕΙΔΟΠΟΙΗΣΗ!

- ▶ Πριν από τη συντήρηση, απενεργοποιήστε τη συσκευή και αποσυνδέστε το φως από την πρίζα.
- ▶ Ο ηλεκτρικός εξοπλισμός πρέπει να συντηρείται μόνο από εξειδικευμένους ηλεκτρολόγους, επειδή οι ακατάλληλες επισκευές μπορούν να προκαλέσουν σημαντικές επακόλουθες ζημιές.
- ▶ Μια κατεστραμμένη τροφοδοσία θα πρέπει να αντικατασταθεί από τον κατασκευαστή ή τον αντιπρόσωπο του σέρβις ή παρόμοια εξουσιοδοτημένα πρόσωπα, προς αποφυγή του κινδύνου.

Πρόβλημα	Πιθανή αιτία	Πιθανή λύση
Ο συμπιεστής δεν λειτουργεί.	<ul style="list-style-type: none"> • Το βύσμα δικτύου δεν είναι συνδεδεμένο στην πρίζα. • Η συσκευή βρίσκεται στον κύκλο απόψυξης 	<ul style="list-style-type: none"> • Συνδέστε την πρίζα. • Αυτό είναι φυσιολογικό για αυτόματη απόψυξη
Η συσκευή λειτουργεί συχνά ή λειτουργεί για πολύ μεγάλο χρονικό διάστημα.	<ul style="list-style-type: none"> • Η εσωτερική και η εξωτερική θερμοκρασία είναι πολύ υψηλή. • Η συσκευή απενεργοποιήθηκε για ένα χρονικό διάστημα. • Η πόρτα της συσκευής δεν είναι καλά κλειστή. • Η πόρτα ανοίγει πολύ συχνά ή για μεγάλα χρονικά διαστήματα. • Η ρύθμιση θερμοκρασίας για την κατάψυξη είναι πολύ χαμηλή. • Το λάστιχο της πόρτας είναι βρώμικο, έχει φθαρεί, έχει ρωγμές ή δεν ταιριάζει. • Η απαιτούμενη κυκλοφορία του αέρα δεν είναι εγγυημένη. 	<ul style="list-style-type: none"> • Είναι φυσιολογικό η συσκευή να λειτουργεί περισσότερο. • Κανονικά, χρειάζονται 8 έως 12 ώρες για να κρυώσει εντελώς η συσκευή. • Κλείστε την πόρτα / συρτάρι και βεβαιωθείτε ότι η συσκευή βρίσκεται σε επίπεδη επιφάνεια και ότι δεν υπάρχει τροφή ή δοχείο που να «χτυπά» πάνω στην πόρτα. • Μην ανοίγετε την πόρτα / το συρτάρι πολύ συχνά. • Ρυθμίστε τη θερμοκρασία ψηλότερα μέχρι να ληφθεί ικανοποιητική θερμοκρασία ψυγείου. Χρειάζονται 24 ώρες για να σταθεροποιηθεί η θερμοκρασία του ψυγείου. • Καθαρίστε την τσιμούχα πόρτας/συρταριού ή αντικαταστήστε την από την εξυπηρέτηση πελατών. • Εξασφαλίστε επαρκή αερισμό.
Το εσωτερικό του ψυγείου είναι βρώμικο ή/και μυρίζει άσχημα.	<ul style="list-style-type: none"> • Το εσωτερικό του ψυγείου χρειάζεται καθαρισμό. • Τα τρόφιμα με έντονη οσμή αποθηκεύονται στο ψυγείο. 	<ul style="list-style-type: none"> • Καθαρίστε το εσωτερικό του ψυγείου. • Τυλίξτε καλά το φαγητό.

Πρόβλημα	Πιθανή αιτία	Πιθανή λύση
Δεν υπάρχει αρκετή ψύξη στο εσωτερικό της συσκευής.	<ul style="list-style-type: none"> • Η θερμοκρασία είναι πολύ υψηλή. • Πολύ ζεστά αγαθά έχουν αποθηκευτεί. • Πάρα πολύ φαγητό έχει αποθηκευτεί ταυτόχρονα. • Τα αγαθά είναι πολύ κοντά το ένα στο άλλο. • Η πόρτα / συρτάρι της συσκευής δεν είναι κλειστά. • Η πόρτα/το συρτάρι ανοίγει πολύ συχνά ή για μεγάλα χρονικά διαστήματα. 	<ul style="list-style-type: none"> • Επαναφέρετε τη θερμοκρασία. • Πάντα να ψύχετε τα αγαθά πριν τα αποθηκεύετε. • Να αποθηκεύετε πάντα μικρές ποσότητες τροφίμων. • Αφήστε ένα κενό μεταξύ πολλών τροφίμων που επιτρέπουν τη ροή του αέρα. • Κλείστε την πόρτα / τα συρτάρια. • Μην ανοίγετε την πόρτα / το συρτάρι πολύ συχνά.
Υπάρχει αρκετή ψύξη στο εσωτερικό της συσκευής.	<ul style="list-style-type: none"> • Η θερμοκρασία είναι πολύ χαμηλή. • Η λειτουργία Super-Frz/Super-Cool είναι ενεργοποιημένη ή λειτουργεί για μεγάλο διάστημα. 	<ul style="list-style-type: none"> • Επαναφέρετε τη θερμοκρασία. • Απενεργοποιήστε τη λειτουργία Super-Frz/Super-Cool
Σχηματισμός υγρασίας στο εσωτερικό του διαμερίσματος του ψυγείου.	<ul style="list-style-type: none"> • Το κλίμα είναι πολύ ζεστό και πολύ υγρό. • Η πόρτα / συρτάρι της συσκευής δεν είναι κλειστά. • Η πόρτα/το συρτάρι ανοίγει πολύ συχνά ή για μεγάλα χρονικά διαστήματα. • Τα δοχεία τροφίμων ή τα υγρά παραμένουν ανοιχτά. 	<ul style="list-style-type: none"> • Αυξήστε τη θερμοκρασία. • Κλείστε την πόρτα / τα συρτάρια. • Μην ανοίγετε την πόρτα / το συρτάρι πολύ συχνά. • Αφήστε τα ζεστά τρόφιμα να κρυώσουν σε θερμοκρασία δωματίου και καλύψτε τα τρόφιμα και τα υγρά.
Η υγρασία συσσωρεύεται στα ψυγεία έξω από την επιφάνεια ή ανάμεσα στις πόρτες / την πόρτα και τα συρτάρια.	<ul style="list-style-type: none"> • Το κλίμα είναι πολύ ζεστό και πολύ υγρό. • Η πόρτα δεν είναι ερμητικά κλειστή. Ο κρύος αέρας στη συσκευή και ο ζεστός αέρας έξω από αυτήν συμπυκνώνονται. 	<ul style="list-style-type: none"> • Αυτό είναι φυσιολογικό σε υγρό κλίμα και θα αλλάξει όταν μειώνεται η υγρασία. • Βεβαιωθείτε ότι η πόρτα/το συρτάρι είναι καλά κλειστά.
Ισχυρός πάγος και παγετός στο διαμέρισμα του καταψύκτη.	<ul style="list-style-type: none"> • Τα εμπορεύματα δεν είχαν συσκευαστεί επαρκώς. • Η πόρτα / συρτάρι της συσκευής δεν είναι κλειστά. • Η πόρτα/το συρτάρι ανοίγει πολύ συχνά ή για μεγάλα χρονικά διαστήματα. • Η φλάντζα πόρτας/συρταριού είναι βρώμικη, φθαρμένη, ραγισμένη ή αταίριαστη. • Κάτι στο εσωτερικό εμποδίζει την πόρτα / συρτάρι να κλείσει σωστά. 	<ul style="list-style-type: none"> • Πάντα να συσκευάζετε καλά τα προϊόντα. • Κλείστε την πόρτα / τα συρτάρια. • Μην ανοίγετε την πόρτα / το συρτάρι πολύ συχνά. • Καθαρίστε την τσιμούχα πόρτας/συρταριού ή αντικαταστήστε την με νέα. • Επανατοποθετήστε τα ράφια, τα ράφια των θυρών ή τα εσωτερικά δοχεία για να επιτρέψετε στο κλείσιμο της πόρτας / συρταριού.
Οι πλευρές του ντουλαπιού και της λωρίδας της πόρτας θερμαίνονται.	<ul style="list-style-type: none"> • - 	<ul style="list-style-type: none"> • Αυτό είναι φυσιολογικό.

Πρόβλημα	Πιθανή αιτία	Πιθανή λύση
Η συσκευή κάνει αφύσικους ήχους.	<ul style="list-style-type: none"> • Η συσκευή δεν βρίσκεται σε επίπεδο έδαφος. • Η συσκευή αγγίζει κάποιο αντικείμενο γύρω της. 	<ul style="list-style-type: none"> • Ρυθμίστε τα πόδια για να ισιώσετε τη συσκευή. • Αφαιρέστε τα αντικείμενα γύρω από τη συσκευή.
Ένας ελαφρύς ήχος πρέπει να ακούγεται παρόμοιος με αυτόν του ρέοντος νερού.	<ul style="list-style-type: none"> • - 	<ul style="list-style-type: none"> • Αυτό είναι φυσιολογικό.
Θα ακούσετε ένα ηχητικό σήμα συναγερμού.	<ul style="list-style-type: none"> • Η πόρτα του χώρου αποθήκευσης ψυγείου είναι ανοιχτή. 	<ul style="list-style-type: none"> • Κλείστε την πόρτα.
Θα ακούσετε ένα αχνό βουητό.	<ul style="list-style-type: none"> • Το σύστημα κατά της συμπύκνωσης λειτουργεί 	<ul style="list-style-type: none"> • Αυτό αποτρέπει τη συμπύκνωση και είναι φυσιολογικό
Το σύστημα εσωτερικού φωτισμού ή ψύξης δεν λειτουργεί.	<ul style="list-style-type: none"> • Το βύσμα δικτύου δεν είναι συνδεδεμένο στην πρίζα. • Η παροχή ρεύματος δεν είναι άθικτη. • Η λυχνία LED είναι εκτός λειτουργίας. 	<ul style="list-style-type: none"> • Συνδέστε την πρίζα. • Ελέγξτε την παροχή ηλεκτρικού ρεύματος στο δωμάτιο. Καλέστε την τοπική εταιρεία ηλεκτρισμού! • Καλέστε την υπηρεσία για αλλαγή της λυχνίας.

Για να επικοινωνήσετε με την τεχνική βοήθεια, επισκεφθείτε τον ιστότοπό μας:

<https://corporate.haier-europe.com/en/>

Στην ενότητα "ιστότοπος", επιλέξτε τη μάρκα του προϊόντος σας και τη χώρα σας. Θα ανακατευθυνθείτε στον συγκεκριμένο ιστότοπο, όπου μπορείτε να βρείτε τον αριθμό τηλεφώνου και τη φόρμα για να επικοινωνήσετε με την τεχνική υποστήριξη.

Διακοπή ρεύματος

Σε περίπτωση διακοπής ρεύματος, τα τρόφιμα πρέπει να παραμένουν με ασφάλεια κρύα και σε συνθήκες ψύξης για περίπου 5 ώρες. Ακολουθήστε αυτές τις συμβουλές κατά τη διάρκεια παρατεταμένης διακοπής ρεύματος, ειδικά το καλοκαίρι:

- ▶ Ανοίγετε την πόρτα / συρτάρια όσο το δυνατόν λιγότερες φορές.
- ▶ Μην βάζετε επιπλέον τρόφιμα στη συσκευή κατά τη διάρκεια διακοπής ρεύματος.
- ▶ Εάν δοθεί προηγούμενη ειδοποίηση για διακοπή ρεύματος και η διάρκεια διακοπής είναι μεγαλύτερη από 5 ώρες, φτιάξτε λίγο πάγο και τοποθετήστε τον σε ένα δοχείο στο πάνω μέρος του ψυγείου.
- ▶ Ο έλεγχος των εμπορευμάτων απαιτείται αμέσως μετά τη διακοπή.
- ▶ Καθώς η θερμοκρασία στο ψυγείο θα αυξηθεί κατά τη διάρκεια διακοπής ρεύματος ή άλλης βλάβης, η περίοδος αποθήκευσης και η βρώσιμη ποιότητα των τροφίμων θα μειωθούν. Οποιοδήποτε φαγητό αποψύχεται πρέπει να καταναλώνεται ή να μαγειρεύεται και να καταψύχεται (όταν επιτρέπεται αυτή η διαδικασία) λίγο μετά για την αποφυγή κινδύνων για την υγεία.

Λειτουργία μνήμης κατά τη διακοπή ρεύματος

Μετά την αποκατάσταση του ρεύματος, η συσκευή συνεχίζει με τις ρυθμίσεις που είχαν ρυθμιστεί πριν από την διακοπή ρεύματος.

Αποσυσκευασία



ΠΡΟΕΙΔΟΠΟΙΗΣΗ!

- ▶ Η συσκευή είναι βαριά. Πάντοτε θα πρέπει να χειρίζονται τη συσκευή δύο άτομα τουλάχιστον.
- ▶ Κρατήστε όλα τα υλικά συσκευασίας μακριά από τα παιδιά και απορρίψτε τα με φιλικό προς το περιβάλλον τρόπο.
- ▶ Βγάλε τη συσκευή από τη συσκευασία.
- ▶ Αφαιρέστε όλα τα υλικά συσκευασίας.

Περιβαλλοντικές συνθήκες

Η θερμοκρασία δωματίου πρέπει να είναι πάντα μεταξύ 10°C και 43°C, καθώς μπορεί να επηρεάσει τη θερμοκρασία στο εσωτερικό της συσκευής και την κατανάλωση ενέργειας της. Μην εγκαθιστάτε τη συσκευή κοντά σε άλλες συσκευές που εκπέμπουν θερμότητα (φούρνους, ψυγεία) χωρίς μόνωση.

Απαιτήσεις χώρου

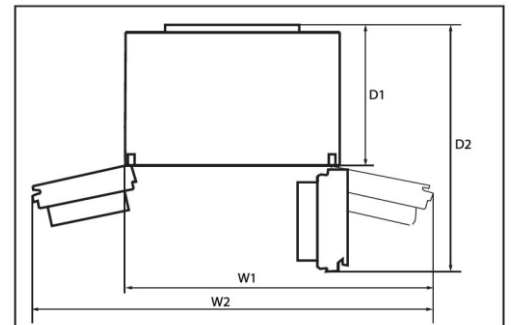
Ελάχιστος χώρος όταν η πόρτα είναι ανοικτή:

W1=1076 mm

W2=1360 mm

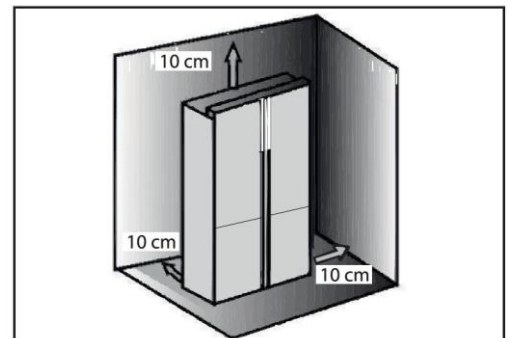
D1=628 mm

D2=1064mm



Διατομή εξαερισμού

Για να επιτευχθεί επαρκής αερισμός της συσκευής για λόγους ασφαλείας, πρέπει να τηρούνται οι πληροφορίες των απαιτούμενων διατομών εξαερισμού.

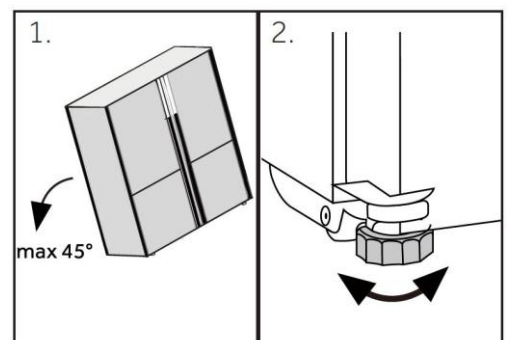


Ευθυγράμμιση της συσκευής

Η συσκευή πρέπει να τοποθετηθεί σε επίπεδη και συμπαγή επιφάνεια.

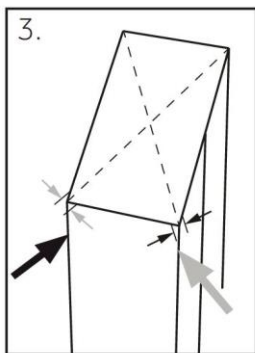
1. Γείρετε ελαφρά το ψυγείο προς τα πίσω.
2. Ρυθμίστε τα πόδια στο επιθυμητό επίπεδο.

Βεβαιωθείτε ότι η απόσταση από τον τοίχο στην πλευρά που βρίσκονται μεντεσέδες είναι τουλάχιστον 10 cm, ώστε να ανοίγει σωστά η πόρτα.

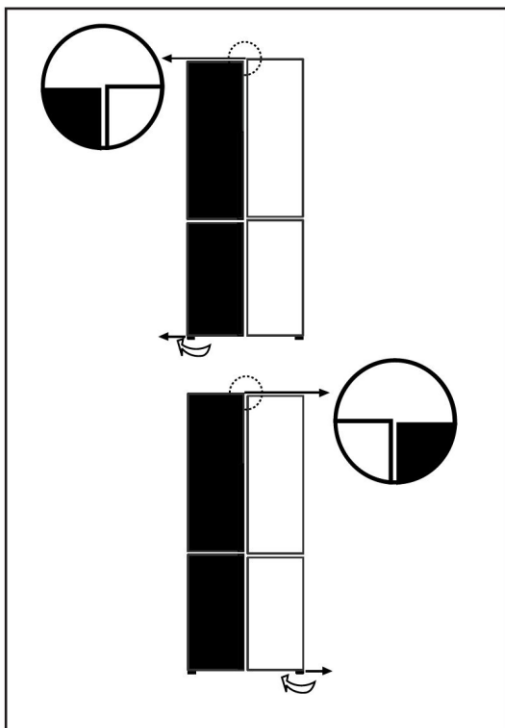


Σημείωση:

Για μια συσκευή ελεύθερης τοποθέτησης: αυτή η ψυκτική συσκευή δεν προορίζεται για χρήση ως εντοιχιζόμενη συσκευή



1. Η σταθερότητα μπορεί να ελεγχθεί χτυπώντας εναλλάξ τις διαγώνιες πλευρές. Η ελαφριά ταλάντωση πρέπει να είναι ίδια και προς τις δύο κατευθύνσεις. Διαφορετικά το πλαίσιο μπορεί να στρεβλώσει, και το αποτέλεσμα μπορεί να είναι πιθανές διαρροές στις σφραγίδες της πόρτας. Μια χαμηλή κλίση προς τα πίσω διευκολύνει το κλείσιμο των θυρών.



Ρύθμιση των θυρών

Εάν οι πόρτες δεν είναι σε ένα επίπεδο, αυτή η αναντιστοιχία μπορεί να διορθωθεί με τα εξής:

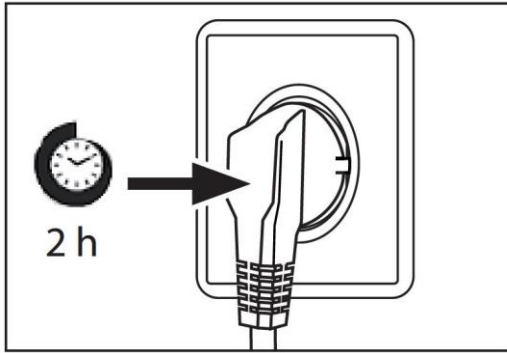
Χρήση ρυθμιζόμενου ποδιού

Περιστρέψτε το ρυθμιζόμενο πόδι σύμφωνα με την κατεύθυνση του βέλους για να γυρίσετε προς τα πάνω ή προς τα κάτω το πόδι.

Εάν είναι απαραίτητο, επικοινωνήστε με την εξυπηρέτηση μετά την πώληση.

i Σημείωση:

Στη μελλοντική χρήση ψυγείου, μπορεί να εμφανιστεί ανομοιόμορφο φαινόμενο στις πόρτες στο βάρος των αποθηκευμένων τροφίμων. Στη συνέχεια, προσαρμόστε σύμφωνα με τις παραπάνω μεθόδους.



Χρόνος αναμονής

Το λάδι λίπανσης χωρίς συντήρηση βρίσκεται στην κάψουλα του συμπιεστή. Αυτό το λάδι μπορεί να περάσει από το κλειστό σύστημα σωλήνων κατά τη διάρκεια της κεκλιμένης μεταφοράς. Πριν συνδέσετε τη συσκευή στην παροχή ρεύματος θα πρέπει να περιμένετε τουλάχιστον 2 ώρες, ώστε το λάδι να επιστρέψει στην κάψουλα.

Ηλεκτρική σύνδεση

Πριν από κάθε σύνδεση ελέγξτε αν:

- ▶ η τροφοδοσία ρεύματος, η πρίζα και η ασφάλεια είναι κατάλληλα σύμφωνα με το ταμπελάκι χαρακτηριστικών.
- ▶ η πρίζα είναι γειωμένη και δεν υπάρχει πολλαπλή πρίζα ή επέκταση.
- ▶ το βύσμα τροφοδοσίας και η πρίζα είναι σύμφωνα με.

Συνδέστε το βύσμα σε μια σωστά εγκατεστημένη οικιακή πρίζα.



ΠΡΟΕΙΔΟΠΟΙΗΣΗ!

Για να αποφύγετε τους κινδύνους, ένα κατεστραμμένο καλώδιο τροφοδοσίας πρέπει να αντικατασταθεί από την εξυπηρέτηση πελατών (βλ. κάρτα εγγύησης).

Δελτίο προϊόντος σύμφωνα με τον κανονισμό ΕΕ υπ' αριθ. 2019/2016

Μάρκα	Haier
Όνομα μοντέλου / αναγνωριστικό	HCW58F18EWMP
Κατηγορία του μοντέλου	Ψυγείο-καταψύκτης
Κατηγορία ενεργειακής απόδοσης	E
Ετήσια κατανάλωση ενέργειας (kWh/έτος)(1)	297
Συνολικός όγκος (Λίτρα)	507
Όγκος ψυγείου (Λίτρα)	321
Όγκος καταψύκτη (Λίτρα)	87
Όγκος θαλάμου μεταβλητής θερμοκρασίας (Λίτρα)	99
Αξιολόγηση με αστέρια	* ** *
Θερμοκρασία άλλων διαμερισμάτων >14 °C	Δεν υφίσταται
Σύστημα χωρίς πάγο	Ναι
Χωρητικότητα καταψύκτη (κιλά/24 ώρες)	6
Βαθμολογία κλίματος (2)	SN-N-ST
Κατηγορία εκπομπών θορύβου και εκπομπές ακουστικού θορύβου στον αέρα (db(A) re 1pW)	C(38)
Χρόνος αύξησης θερμοκρασίας (ώρες)	9
Τύπος συσκευής	Αυτόνομη ελεύθερη τοποθέτηση
Άλλα	-

Επεξηγήσεις:

- Ναι, υπάρχει

- (1) Με βάση τα αποτελέσματα της δοκιμής συμμόρφωσης προτύπων για 24 ώρες. Η πραγματική κατανάλωση εξαρτάται από τη χρήση και τη θέση της συσκευής.
- (2) Βαθμολογία κλίματος SN: Αυτή η συσκευή προορίζεται για χρήση σε θερμοκρασία περιβάλλοντος μεταξύ + 10 °C και +32 °C
 Βαθμολογία κλίματος N: Αυτή η συσκευή προορίζεται για χρήση σε θερμοκρασία περιβάλλοντος μεταξύ + 16 °C και +32 °C
 Βαθμολογία κλίματος ST: Αυτή η συσκευή προορίζεται για χρήση σε θερμοκρασία περιβάλλοντος μεταξύ + 16 °C και +38 °C
 Βαθμολογία κλίματος T: Αυτή η συσκευή προορίζεται για χρήση σε θερμοκρασία περιβάλλοντος μεταξύ + 16 °C και +43 °C

Πρόσθετα τεχνικά δεδομένα

Τάση / Συχνότητα	220-240V ~/50Hz
Ρεύμα εισόδου (A)	1.5
Κύρια ασφάλεια (A)	16
Ψυκτικό	R600a
Διαστάσεις (Υ/Π/Β σε mm)	1775 / 830 / 705

Συνιστούμε την Εξυπηρέτηση Πελατών της Haier και τη χρήση γνήσιων ανταλλακτικών.

Εάν έχετε κάποιο πρόβλημα με τη συσκευή σας, ελέγξτε πρώτα την ενότητα ΑΝΤΙΜΕΤΩΠΙΣΗ ΠΡΟΒΛΗΜΑΤΩΝ.

Εάν δεν μπορείτε να βρείτε μια λύση εκεί, επικοινωνήστε

- ▶ με τον τοπικό σας αντιπρόσωπο ή
- ▶ το Ευρωπαϊκό τηλεφωνικό κέντρο εξυπηρέτησης (βλ. παρακάτω αριθμούς τηλεφώνου) ή
- ▶ πηγαίnete στην ενότητα Εξυπηρέτηση και Υποστήριξη στη διεύθυνση www.haier.com όπου μπορείτε να υποβάλετε αίτημα εξυπηρέτησης
- ▶ και επίσης να βρείτε τις συχνές ερωτήσεις.

Για να επικοινωνήσετε με την Υπηρεσία μας, βεβαιωθείτε ότι έχετε τα ακόλουθα δεδομένα διαθέσιμα.

Οι πληροφορίες μπορείτε να βρείτε στην πινακίδα αξιολόγησης.

Μοντέλο _____

Σειριακός
αριθμός. _____

Επίσης, ελέγξτε την Κάρτα Εγγύησης που παρέχεται με το προϊόν σε περίπτωση εγγύησης.

Ευρωπαϊκό Τηλεφωνικό Κέντρο		
Χώρα*	Αριθμός τηλεφώνου	Έξοδα
Haier Italy (IT)	199 100 912	
Haier Spain (ES)	902 509 123	
Haier Germany (DE)	0180 5 39 39 99	<ul style="list-style-type: none">• 14 σεντς/λεπτό από σταθερό• μέγιστο 42 σεντς/λεπτό από κινητό
Haier Austria (AT)	0820 001 205	<ul style="list-style-type: none">• 14,53 σεντς/λεπτό από σταθερό• μέγιστο 20 σεντς/λεπτό όλα τα άλλα
Haier United Kingdom (UK)	0333 003 8122	
Haier France (FR)	0980 406 409	

* Για άλλες χώρες, ανατρέξτε στη διεύθυνση www.haier.com

Haier Europe Trading S.r.l
Υποκατάστημα Ηνωμένο Βασίλειο
Westgate House, Westgate, Ealing
Λονδίνο, W5 1YY

*Διάρκεια εγγύησης της ψυκτικής συσκευής:

Η ελάχιστη εγγύηση είναι: 2 χρόνια για τις χώρες της ΕΕ, 3 χρόνια για την Τουρκία, 1 χρόνο για το Ηνωμένο Βασίλειο, 1 χρόνο για τη Ρωσία, 3 χρόνια για τη Σουηδία, 2 χρόνια για τη Σερβία, 5 χρόνια για τη Νορβηγία, 1 χρόνο για το Μαρόκο, 6 μήνες για την Αλγερία, για την Τυνησία δεν απαιτείται νομική εγγύηση.

*Περίοδος διάθεσης ανταλλακτικών για επισκευή της συσκευής:

Θερμοστάτες, αισθητήρες θερμοκρασίας, πλακέτες τυπωμένων κυκλωμάτων και πηγές φωτός διατίθενται για επτά τουλάχιστον χρόνια μετά τη διάθεση της τελευταίας μονάδας του μοντέλου στην αγορά.

Λαβές πόρτας, μεντεσέδες πόρτας, δίσκοι και καλάθια διατίθενται για περίοδο τουλάχιστον επτά ετών και λάστιχα πόρτας για περίοδο τουλάχιστον 10 ετών μετά τη διάθεση της τελευταίας μονάδας του μοντέλου στην αγορά.

* Για περισσότερες πληροφορίες σχετικά με το προϊόν, συμβουλευτείτε τη διεύθυνση <https://eprel.ec.europa.eu/> ή σαρώστε τον κωδικό QR στην ενεργειακή ετικέτα που παρέχεται με τη συσκευή.

2022 Έκδοση Β

Haier Smart Home Co.,Ltd.
No.1 Haier Road,Haier Industry Park,Hi-Tech Zone,
266103 Qingdao,Shandong,China
MADE IN CHINA

Haier



0060535245



Manual de usuario

Frigorífico-congelador

HCW58F18EWMP

ES

Haier

Gracias por comprar un producto Haier.

Lea atentamente estas instrucciones antes de utilizar este electrodoméstico. Las instrucciones contienen información importante que le ayudará a sacar el máximo provecho del electrodoméstico y a garantizar una instalación, uso y mantenimiento seguros y adecuados.

Guarde este manual en un lugar accesible para que siempre pueda consultarlo para el uso seguro y adecuado del electrodoméstico.

Si usted vende el electrodoméstico, lo dona o lo deja atrás al mudarse, asegúrese de dejar también este manual para que el nuevo propietario pueda familiarizarse con el electrodoméstico y las advertencias de seguridad.

Leyenda



Advertencia: Información de seguridad importante



Información general y consejos



Información medioambiental

Eliminación



Ayude a proteger el medio ambiente y la salud humana. Tire el embalaje en los contenedores correspondientes para reciclarlo. Ayude a reciclar los residuos de aparatos eléctricos y electrónicos. No deseche los aparatos marcados con este símbolo con los residuos domésticos. Lleve el producto a su planta de reciclaje local o póngase en contacto con su oficina municipal.



ADVERTENCIA

¡Peligro de lesiones o asfixia!

Los refrigerantes y los gases deben desecharse de forma profesional. Asegúrese de que la tubería del circuito refrigerante no está dañada antes de desecharla adecuadamente. Desconecte el electrodoméstico de la red eléctrica. Corte el cable de red y deséchelo. Retire las bandejas y los cajones, así como el pestillo de la puerta y las juntas, para evitar que los niños y las mascotas se queden encerrados en el electrodoméstico.

Información de seguridad.....	4
Descripción del producto	10
Panel de control	11
Uso	12
Equipo.....	26
Cuidado y limpieza.....	29
Solución de problemas.....	32
Instalación	35
Datos técnicos	38
Atención al cliente	40

Accesorios

Compruebe los accesorios y guías de acuerdo con esta lista:



Fabricador
de cubitos de hielo
con pala



3 separadores



Etiqueta
energética



Tarjeta de
garantía



Manual del usuario
Adhesivo "OK"
Manual de usuario

Nota: Solo para el modelo HCW58F18EWMP

Antes de encender el electrodoméstico por primera vez, lea las siguientes directrices de seguridad:



ADVERTENCIA

Antes del primer uso

- ▶ Asegúrese de que no haya daños causados por el transporte.
- ▶ Retire todo el embalaje y manténgalo fuera del alcance de los niños.
- ▶ Espere al menos dos horas antes de instalar el electrodoméstico para garantizar que el circuito refrigerante es totalmente eficiente.
- ▶ Este electrodoméstico es pesado: manipúlelo con la ayuda de otra persona.

Instalación

- ▶ Este electrodoméstico debe colocarse en un lugar bien ventilado. Asegúrese de dejar un espacio libre de al menos 10 cm por encima y alrededor del electrodoméstico.
- ▶ No coloque el electrodoméstico en un área húmeda o en un lugar donde pueda recibir salpicaduras de agua. Limpie y seque las salpicaduras y manchas con un paño suave y limpio.
- ▶ No instale el electrodoméstico bajo la luz directa del sol o cerca de fuentes de calor (p. ej.: fogones, estufas...).
- ▶ Instale y nivele el electrodoméstico en un lugar adecuado para su tamaño y uso.
- ▶ **ADVERTENCIA:** No obstruya las aberturas de ventilación del armazón del electrodoméstico o de la estructura integrada.
- ▶ Asegúrese de que la información eléctrica de la placa de características técnicas coincida con la fuente de alimentación. Si no es así, póngase en contacto con un electricista.
- ▶ Este electrodoméstico funciona mediante una fuente de alimentación de 220-240 V CA/50 Hz. Una fluctuación anormal del voltaje puede provocar que el electrodoméstico no se ponga en marcha, o que se dañe el control de temperatura o el compresor, o que se oiga un ruido anormal durante el funcionamiento. En tal caso, se deberá instalar un regulador automático.
- ▶ No utilice adaptadores de múltiples contactos ni cables de extensión.
- ▶ **ADVERTENCIA:** No ubique tomas de corriente múltiples portátiles ni fuentes de alimentación portátiles en la parte trasera del electrodoméstico.
- ▶ **ADVERTENCIA:** Al posicionar el electrodoméstico, asegúrese de que el cable de alimentación no está atrapado o dañado.
- ▶ No oprima el cable de alimentación.
- ▶ Utilice una toma de corriente a tierra separada para la fuente de alimentación a la que se pueda acceder fácilmente. Este electrodoméstico debe conectarse a tierra.



ADVERTENCIA

► **Solo para el Reino Unido:** El cable de alimentación de este electrodoméstico está equipado con un enchufe de 3 cables (a tierra) que se ajusta a una toma de corriente estándar de 3 cables (a tierra). No corte ni desmonte la tercera patilla (toma de tierra). Una vez instalado el electrodoméstico, el enchufe debe ser accesible.

► **ADVERTENCIA:** No dañe el circuito del refrigerante.

Uso diario

► Este electrodoméstico puede ser utilizado por niños a partir de 8 años y por personas con capacidades físicas, sensoriales o mentales reducidas, o sin experiencia o conocimientos previos, siempre y cuando lo hagan bajo supervisión, hayan recibido las instrucciones necesarias para un uso seguro y comprendan los riesgos que esto implica.

► Los niños no deben jugar con este electrodoméstico.

► Se permite que los niños de 3 a 8 años llenen y vacíen aparatos de refrigeración, pero no están autorizados a limpiarlos e instalarlos.

► Mantenga alejados del electrodoméstico a los niños menores de 3 años a menos que estén constantemente supervisados.

► Las operaciones de limpieza y mantenimiento no deben ser realizadas por niños sin supervisión.

► El electrodoméstico debe colocarse de forma que el enchufe sea accesible.

► Si se filtra gas de hulla u otro gas inflamable en las proximidades del electrodoméstico, apague la válvula del gas filtrado, abra las puertas y ventanas y no desconecte el cable de alimentación del frigorífico/congelador o cualquier otro electrodoméstico.

► Tenga en cuenta que el electrodoméstico está configurado para funcionar en un intervalo de temperatura ambiente específico de entre 10 y 38 °C. El electrodoméstico no puede funcionar correctamente si se deja durante mucho tiempo a una temperatura superior o inferior al intervalo indicado.

► No coloque artículos inestables (objetos pesados, recipientes llenos de agua) en la parte superior del frigorífico/congelador, a fin de evitar lesiones personales causadas por caídas o descargas eléctricas causadas por el contacto con el agua.

► No tire de los estantes de la puerta. Se puede tirar de la puerta de forma inclinada, el botellero puede retirarse, o el electrodoméstico puede volcar.

► Abra y cierre la puerta solamente usando las asas. El espacio entre la puerta y el armario es muy estrecho. No ponga las manos en estas áreas para evitar pillarse los dedos. Abra o cierre las puertas del frigorífico/congelador solo cuando no haya niños dentro del área de movimiento de la puerta.



ADVERTENCIA

- ▶ Para evitar que los alimentos puedan contaminarse, cíñase a las siguientes instrucciones:
- ▶ - Dejar la puerta abierta durante largos períodos de tiempo puede causar un aumento significativo de la temperatura en los compartimentos del electrodoméstico.
- ▶ - Limpie regularmente las superficies que pueden entrar en contacto con alimentos y los sistemas de drenaje accesibles.
- ▶ - Limpie los depósitos del agua si no se han utilizado durante 48 h; enjuague el circuito del agua conectado a un suministro de agua si no se ha utilizado agua durante 5 días.
- ▶ - Guarde la carne cruda y el pescado en recipientes adecuados en el frigorífico de manera que no entren en contacto ni goteen sobre otros alimentos.
- ▶ - Los compartimentos marcados con dos estrellas para alimentos congelados son adecuados para guardar alimentos congelados previamente, para guardar o hacer helados y para hacer cubitos de hielo.
- ▶ - Los compartimentos marcados con una, dos y tres estrellas no son aptos para congelar alimentos frescos.
- ▶ - Si se deja el frigorífico vacío durante largos períodos, apáguelo, elimine la escarcha, límpielo, séquelo y deje la puerta abierta para evitar la proliferación de moho dentro del frigorífico.
- ▶ Nunca almacene cerveza o bebidas embotelladas, líquidos en botellas o latas (aparte de bebidas de alto grado alcohólico), especialmente las bebidas carbonatadas, en el congelador, ya que reventarían durante la congelación.
- ▶ No almacene en este electrodoméstico sustancias explosivas, como botes de aerosol con propelente inflamable.
- ▶ No guarde medicamentos, bacterias ni agentes químicos en el electrodoméstico. Este aparato es un electrodoméstico. No se recomienda almacenar materiales que requieran temperaturas extremas.
- ▶ Compruebe el estado de los alimentos si se ha producido un calentamiento en el congelador.
- ▶ No ajuste una temperatura innecesariamente baja en el compartimento frigorífico. En los ajustes altos pueden darse temperaturas bajo cero. Atención: Las botellas pueden reventar.
- ▶ No toque los productos congelados con las manos mojadas (use guantes). Sobre todo, no coma hielo inmediatamente después de sacarlo del congelador. Existe el riesgo de congelación o la formación de ampollas. **PRIMEROS AUXILIOS:** Poner inmediatamente bajo agua fría corriente. ¡No tirar!



ADVERTENCIA

- ▶ No toque la superficie interior del compartimento de almacenamiento del frigorífico cuando esté en funcionamiento, especialmente con las manos mojadas, ya que las manos pueden congelarse en la superficie.
- ▶ Desenchufe el electrodoméstico en caso de interrupción del suministro eléctrico o antes de limpiarlo. Deje pasar al menos 7 minutos antes de reiniciar el electrodoméstico, ya que el arranque frecuente puede dañar el compresor.
- ▶ **ADVERTENCIA:** No use dispositivos eléctricos dentro de los compartimentos para alimentos del electrodoméstico, salvo que sean del tipo recomendado por el fabricante.

Mantenimiento / limpieza

- ▶ Asegúrese de que los niños están bajo supervisión si realizan tareas de limpieza y mantenimiento.
- ▶ Desconecte el electrodoméstico de la red eléctrica antes de realizar cualquier mantenimiento rutinario. Deje pasar al menos 5 minutos antes de reiniciar el electrodoméstico, ya que el arranque frecuente puede dañar el compresor.
- ▶ Cuando desenchufe el electrodoméstico, hágalo agarrando la clavija, no el cable.
- ▶ No limpie el electrodoméstico con cepillos duros, cepillos de alambre, detergente en polvo, gasolina, acetato de amilo, acetona y soluciones orgánicas similares, soluciones ácidas o alcalinas. Limpie con un detergente especial para frigoríficos/congeladores para evitar daños. Finalmente, use una solución de agua tibia y bicarbonato (aproximadamente una cucharada de bicarbonato en un litro/cuarto de agua). Enjuague abundantemente con agua y seque con un trapo. No utilice limpiadores en polvo u otros limpiadores abrasivos. No lave las piezas extraíbles en el lavavajillas.
- ▶ No raspe la escarcha y el hielo con objetos afilados. No utilice aerosoles, calentadores eléctricos como secadores de pelo, limpiadores a vapor u otras fuentes de calor para evitar dañar las piezas de plástico.
- ▶ **ADVERTENCIA:** No utilice dispositivos mecánicos ni otros equipos para acelerar el proceso de descongelación, salvo aquellos recomendados por el fabricante.
- ▶ Si el cable de alimentación está dañado, debe ser sustituido por el fabricante, por su servicio técnico o por cualquier profesional cualificado similar para evitar riesgos.
- ▶ No intente reparar, desmontar o modificar este electrodoméstico por su cuenta. En caso de reparación, póngase en contacto con nuestro servicio de atención al cliente.
- ▶ Si las luces están dañadas, deben ser sustituidas por el fabricante, por su



ADVERTENCIA

servicio técnico o por cualquier profesional cualificado similar para evitar riesgos.

- ▶ Saque el polvo de la parte posterior de la unidad al menos una vez al año para evitar el riesgo de incendio, así como un mayor consumo de energía.
- ▶ No rocíe ni enjuague el electrodoméstico durante la limpieza.
- ▶ No use agua pulverizada o vapor para limpiar el electrodoméstico.
- ▶ No limpie los estantes o la puerta de cristal fríos con agua caliente. Un cambio repentino de temperatura puede causar que el cristal se rompa.
- ▶ Si deja el electrodoméstico fuera de uso durante un periodo prolongado, déjelo abierto para evitar que se acumulen malos olores en el interior.

Información sobre el gas refrigerante



ADVERTENCIA

Este electrodoméstico contiene el refrigerante inflamable ISOBUTANO (R600a). Asegúrese de no dañar el circuito refrigerante durante el transporte o la instalación. La fuga de refrigerante puede causar lesiones oculares o incendios. Si se produce algún daño, mantenga alejadas fuentes de fuego abiertas, ventile a fondo la habitación y **no** conecte o desconecte los cables de alimentación de este o cualquier otro electrodoméstico. Informe al servicio de atención al cliente.

En caso de que los ojos entren en contacto con el refrigerante, enjuáguelos inmediatamente con agua corriente y llame inmediatamente a un oftalmólogo.

ADVERTENCIA: El sistema de refrigeración está bajo alta presión. No lo fuerce. Dado que se utilizan refrigerantes inflamables, siga estrictamente las instrucciones de instalación, manipulación y mantenimiento del electrodoméstico y póngase en contacto con un técnico profesional o con nuestro servicio posventa para desecharlo.



ADVERTENCIA

Para los frigoríficos con función de agua helada, preste atención a la siguiente advertencia:

En el caso de electrodomésticos no destinados a conectarse al suministro de agua:

ADVERTENCIA: Llenar solo con agua potable.

En el caso de electrodomésticos destinados a conectarse al suministro de agua:

ADVERTENCIA: Conéctese únicamente al suministro de agua potable.

Si desea limpiar el sistema de agua, consulte el Manual de usuario. Si tiene alguna pregunta, póngase en contacto con el servicio posventa.

Uso previsto

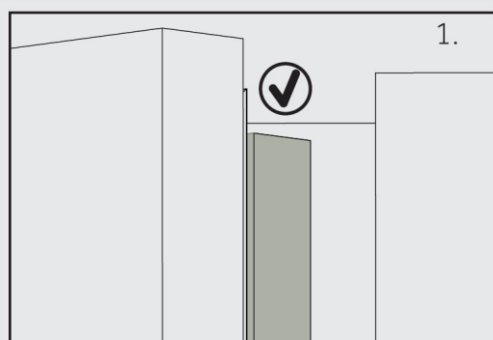
Este electrodoméstico está diseñado para enfriar y congelar alimentos. Ha sido diseñado exclusivamente para su uso en aplicaciones domésticas y similares, como áreas de cocina para personal en tiendas, oficinas y otros entornos de trabajo; granjas y el uso por clientes en hoteles, moteles y otros entornos de tipo residencial, así como en negocios de alojamiento y restauración. No está destinado a un uso comercial o industrial.

No se permite realizar cambios o modificaciones en el electrodoméstico. Un uso no previsto puede causar riesgos y la pérdida de reclamaciones de garantía.

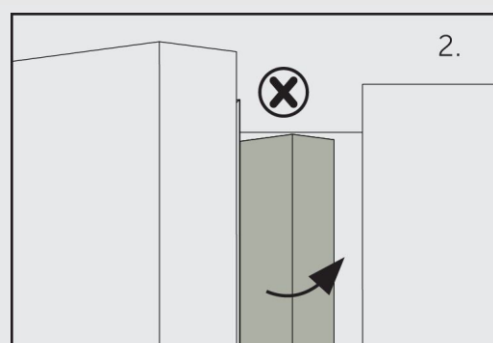
Normas y directivas **CE** y **UKCA**

Este producto cumple los requisitos de todas las directivas CE aplicables con las correspondientes normas acordadas y normas del RU que establecen el mercado CE y UKCA.

¡PRECAUCIÓN!



Al cerrar la puerta, la tira vertical de la puerta de la izquierda del frigorífico debe doblarse hacia el interior (1).



Si intenta cerrar la puerta izquierda y la tira de la puerta vertical no está doblada (2), en primer lugar, debe doblarla, de lo contrario, la tira de la puerta golpeará el eje de fijación o la puerta derecha. Por lo tanto, se producirá un daño a la puerta o una fuga.

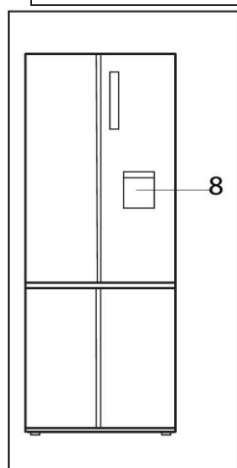
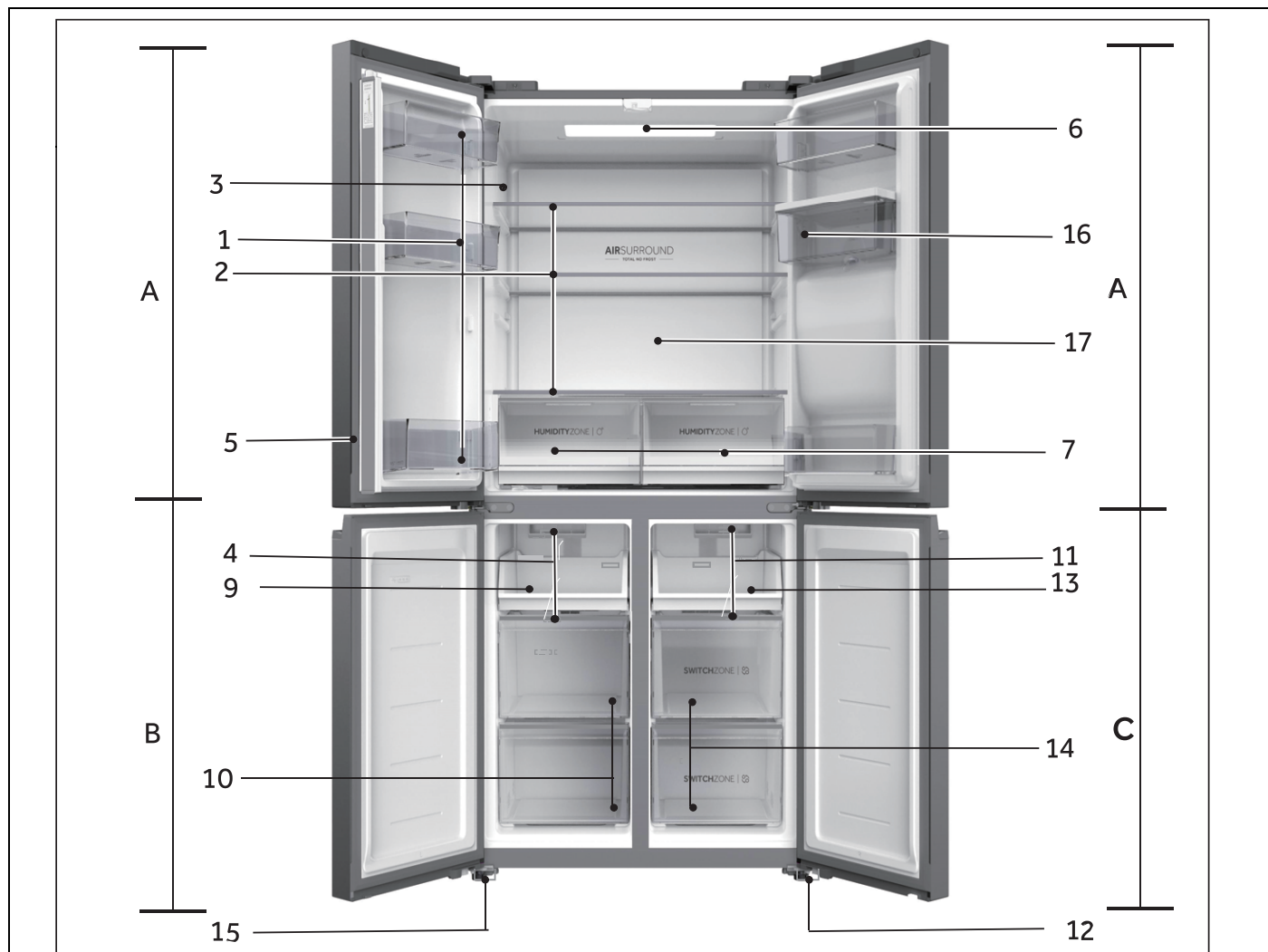
Dentro del marco hay un elemento calefactor. La temperatura de la superficie subirá un poco, lo que es normal y no afectará a la función del electrodoméstico.



Aviso

Debido a cambios técnicos y a las diferencias entre modelos, algunas de las ilustraciones de este manual pueden diferir de su modelo.

Modelo (HCW58F18EWMP)



A: Compartimento frigorífico

- 1 Estante de la puerta
- 2 Estante del mueble
- 3 Placa de características
- 5 Tira de la puerta
- 6 Luz del techo
- 7 Cajón de la Humidity Zone
- 8 Dispensador de agua
- 16 Depósito de agua
- 17 Ducto de aire

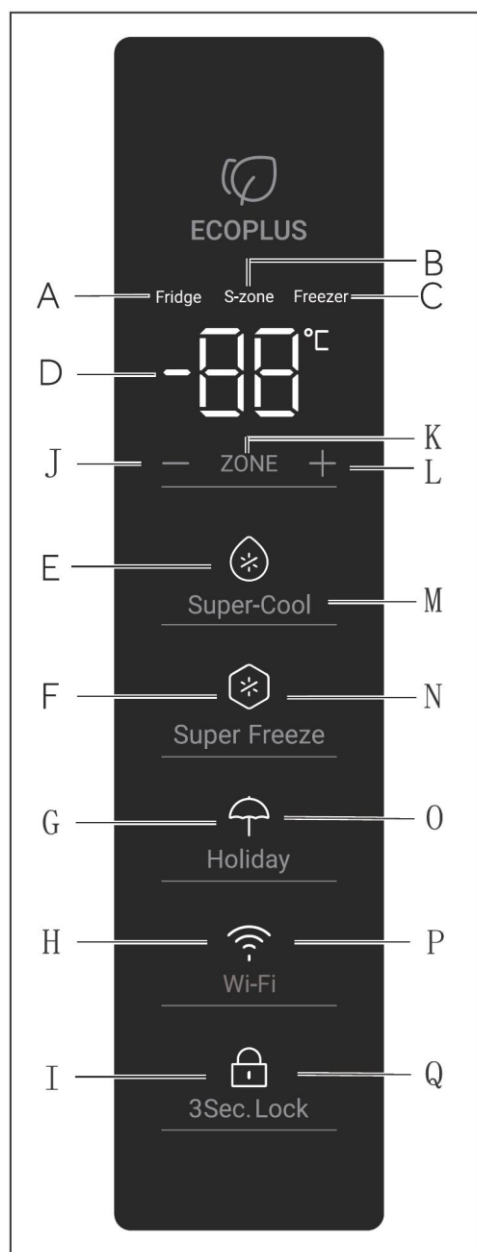
B: Compartimento congelador

- 4 Conducto de aire
- 9 Bandeja de almacenamiento
- 10 Cajón de almacenamiento
- 15 Patas ajustables

C: Compartimento Switch Zone

- 11 Conducto de aire
- 12 Patas ajustables
- 13 Bandeja de almacenamiento
- 14 Cajón de almacenamiento de la Switch Zone

Panel de control (HCW58F18EWMP)



Indicador:

- A refrigerador
- B Switch Zone
- C congelador
- D Indicador de temperatura
- E Función Super Cool
- F Función Super Freeze
- G Modo Holiday
- H Función Wi-Fi
- I Bloqueo del panel

Botones:

- J Control de la temperatura "-"
- K Selección del compartimento
- L Control de la temperatura "+"
- M Selector de la función Super Cool
- N Selector de la función Super Freeze
- O Selector del modo Holiday
- P Función Wi-Fi on/off
- Q Selector de bloqueo del panel

Antes del primer uso

- ▶ Retire todo el material de embalaje, manténgalo fuera del alcance de los niños y deséchelo de forma respetuosa con el medio ambiente.
- ▶ Limpie el interior y el exterior del electrodoméstico con agua y un detergente suave antes de introducir cualquier alimento en él.
- ▶ Después de nivelar y limpiar el electrodoméstico, espere al menos 2-5 horas antes de conectarlo a la fuente de alimentación. Ver sección INSTALACIÓN.
- ▶ Enfríe previamente los compartimentos a altas temperaturas antes de cargarlos con alimentos. La función Power-Freeze ayuda a enfriar rápidamente los compartimentos.
- ▶ Las temperaturas del frigorífico, la Switch Zone y el congelador se ajustan automáticamente a 5°C, -18°C y -18°C respectivamente. Estos son los ajustes recomendados. Si lo desea, puede cambiar estas temperaturas manualmente. Consulte la sección AJUSTE DE LA TEMPERATURA.

Teclas táctiles

Los botones del panel de control son teclas táctiles, que responden aún cuando las toca ligeramente con el dedo.

Encender/apagar el electrodoméstico

El electrodoméstico se pondrá en marcha en cuanto se conecte a la fuente de alimentación. Cuando el frigorífico se enciende por primera vez, se ilumina el indicador "D" (Indicador de temperatura). Las temperaturas del frigorífico, la Switch Zone y el congelador se ajustan automáticamente a 5 °C, -18 °C y -18 °C respectivamente.

Puede que el bloqueo del panel esté activo.



Aviso

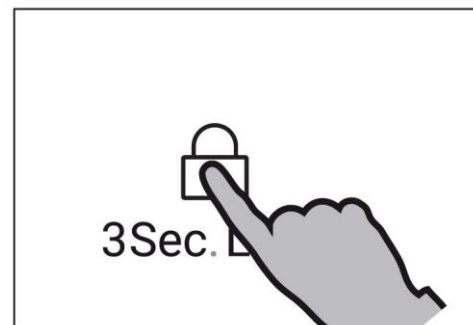
El electrodoméstico está preestablecido a la temperatura recomendada de 5 °C (frigorífico), -18 °C, (Switch Zone) y -18 °C (congelador). En condiciones ambientales normales, no es necesario ajustar la temperatura.

Cuando se enciende el electrodoméstico después de desconectarlo de la fuente de alimentación principal, alcanzar las temperaturas correctas puede tomar hasta 12 horas.

Vacíe el electrodoméstico antes de apagarlo. Para apagar el electrodoméstico, retire el cable de alimentación de la toma de corriente.

Panel de bloqueo/desbloqueo

La pantalla de visualización se apaga automáticamente 30 segundos después de presionar una tecla. La pantalla se bloqueará automáticamente. Se enciende automáticamente al pulsar cualquier tecla o al abrir cualquier puerta.



Aviso

La temperatura del frigorífico, la temperatura de la Switch Zone, la temperatura del congelador, la función Super Cool, la función Super Freeze, el modo Holiday y la función Wi-Fi no se pueden ajustar en estado de bloqueo.

Modo de espera

La pantalla de visualización se apaga automáticamente 30 segundos después de pulsar una tecla. La pantalla se bloquea automáticamente. Se ilumina automáticamente al tocar cualquier tecla o abrir la puerta. (La alarma no ilumina la pantalla de visualización).

Modo de ajuste manual

Si desea ajustar manualmente la temperatura del electrodoméstico, puede configurar el botón de ajuste de temperatura (consulte AJUSTE DE LA TEMPERATURA).

Ajuste de la temperatura

Las temperaturas interiores están influenciadas por los siguientes factores:

- ▶ Temperatura ambiente
- ▶ Frecuencia de apertura de la puerta
- ▶ Cantidad de alimentos almacenados
- ▶ Instalación del electrodoméstico

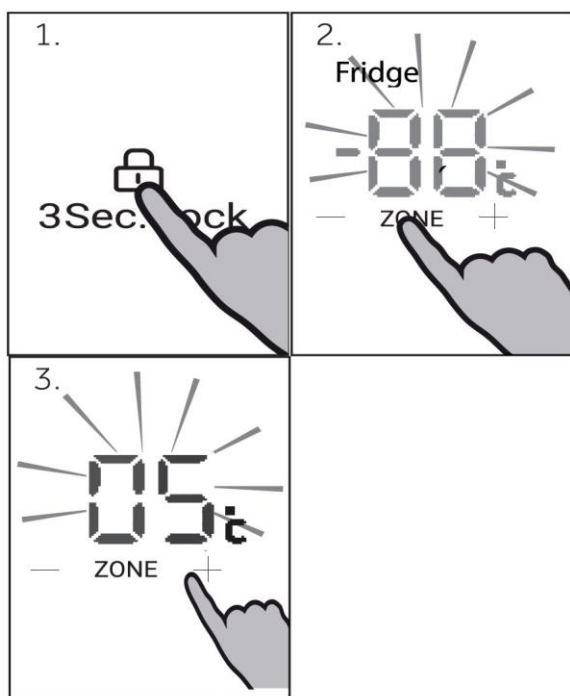
Alarma de la puerta

La alarma de la puerta se activará cuando la puerta esté abierta durante mucho tiempo o no se cierre correctamente, como recordatorio.

Ajustar la temperatura del frigorífico

Desbloquee la configuración pulsando la tecla "Q" durante 3 segundos.

En estado de desbloqueo, pulse la tecla "K" (Selección del compartimento) para alternar entre los distintos compartimentos. Cuando el indicador "A" (Indicador del compartimento frigorífico) se ilumine, pulse la tecla "J" (Control de la temperatura "-") o la tecla "L" (control de temperatura "+") para ajustar la temperatura del compartimento frigorífico. El valor que aparece en el indicador "D" disminuye en 1 °C cada vez que se pulsa el botón "J".



La pantalla parpadea y se vuelve fija con la temperatura establecida, y se apaga después de unos segundos. Por consiguiente, el valor que aparece en el indicador "D" aumenta en 1 °C cada vez que se pulsa el botón "L". La pantalla parpadea y se vuelve fija con la temperatura establecida, y se apaga después de unos segundos. La temperatura del compartimento frigorífico puede ajustarse de 1 °C a 9 °C mediante incrementos de 1 °C.



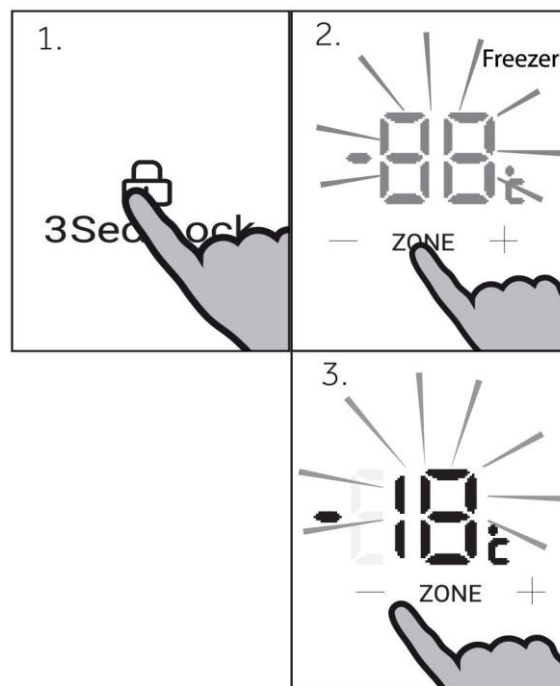
Aviso

La temperatura del frigorífico no se puede ajustar bajo el estado de bloqueo, Super Cool y Holiday.

Ajustar la temperatura del congelador

Desbloquee la configuración pulsando la tecla "Q" durante 3 segundos.

En estado de desbloqueo, pulse la tecla "K" (Selección del compartimento) para alternar entre los distintos compartimentos. Cuando el indicador "C" (Indicador del compartimento congelador) se ilumine, pulse la tecla "J" (Control de la temperatura "-") o la tecla "L" (control de temperatura "+") para ajustar la temperatura del compartimento congelador. El valor que aparece en el indicador "D" disminuye en 1 °C cada vez que se pulsa el botón "J". La pantalla parpadea y se vuelve fija con la temperatura establecida, y se apaga después de unos segundos. Por consiguiente, el valor que aparece en el indicador "D" aumenta en 1 °C cada vez que se pulsa el botón "L". La pantalla parpadea y se vuelve fija con la temperatura establecida, y se apaga después de unos segundos. La temperatura del compartimento congelador puede ajustarse de -14 °C a -24 °C mediante incrementos de 1°C.



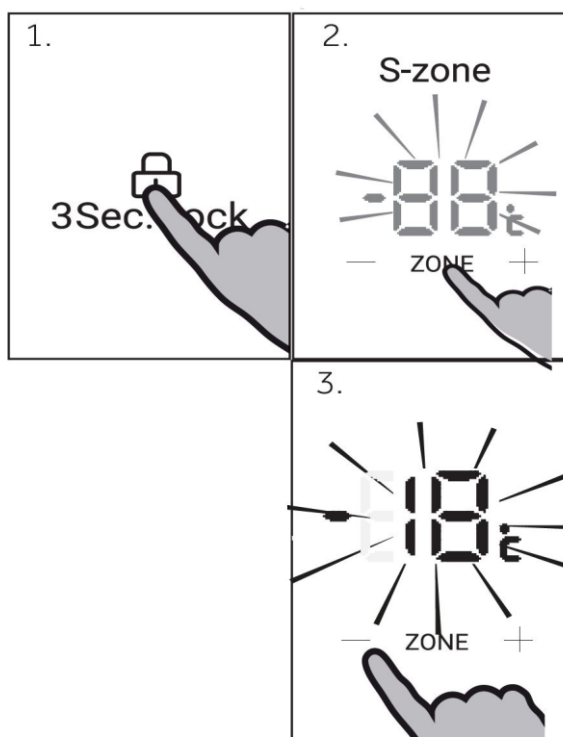
Aviso

La temperatura del congelador no se puede ajustar bajo el estado de bloqueo y Super Freeze.

Ajustar la temperatura de la Switch Zone

Desbloquee la configuración pulsando la tecla "Q" durante 3 segundos.

En estado de desbloqueo, pulse la tecla "K" (Selección del compartimento) para alternar entre los distintos compartimentos. Cuando el indicador "B" (Indicador de la Switch Zone) se ilumine, pulse la tecla "J" (Control de la temperatura "-") o la tecla "L" (control de temperatura "+") para ajustar la temperatura del compartimento de la Switch Zone. El valor que aparece en el indicador "D" disminuye en 1 °C cada vez que se pulsa el botón "J". La pantalla parpadea y se vuelve fija con la temperatura establecida, y se apaga después de unos segundos. Por consiguiente, el valor que aparece en el indicador "D" aumenta en 1 °C cada vez que se pulsa el botón "L". La pantalla parpadea y se vuelve fija con la temperatura establecida, y se apaga después de unos segundos. La temperatura del compartimento de la Switch Zone puede ajustarse de 5 °C a -18 °C mediante incrementos de 1°C.



Aviso

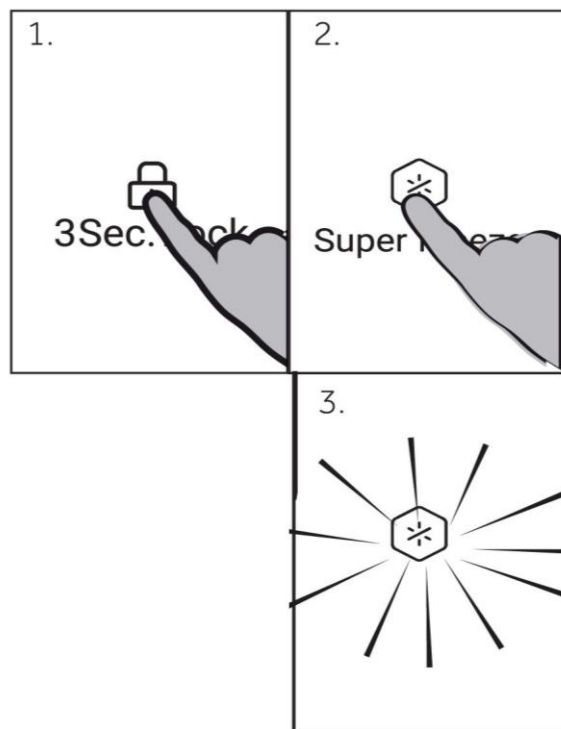
La temperatura de la Switch Zone no se puede ajustar bajo el estado de bloqueo.

Función Super Freeze

La función Super Freeze puede congelar los alimentos frescos tan pronto como sea posible acelerando la congelación para preservar el mejor valor nutricional, apariencia y sabor de los alimentos. Si necesita congelar una gran cantidad de alimentos a la vez, se recomienda configurar la función Super Freeze durante 24 horas antes del uso del compartimento congelador.

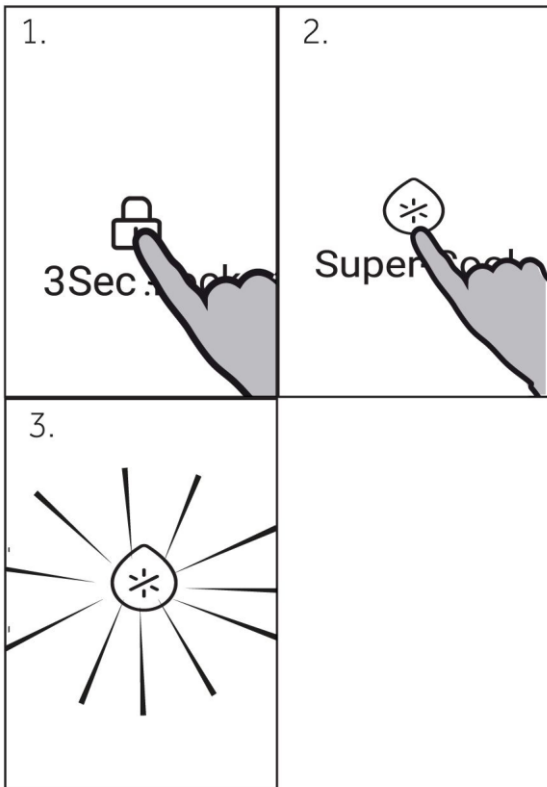
Desbloquee la configuración pulsando la tecla "Q" durante 3 segundos.

En estado de desbloqueo, pulse la tecla "N" (Selector de la función Super Freeze); se ilumina el indicador "F" (Indicador de la función Super Freeze) y el producto entra en el modo Super Freeze. El producto automáticamente sale del modo Super Freeze después de 50 horas de activación. Para salir manualmente del modo Super Freeze, pulse la tecla "N" (Selector de la función Super Freeze) en estado de desbloqueo; el indicador "F" (Indicador de la función Super Freeze) se apaga y el producto sale del modo Super Freeze.



Aviso

En el modo Super Freeze, la tecla "J" (control de temperatura "-") y la tecla "L" (control de temperatura "+") se bloquean cuando el compartimento congelador está seleccionado, y la temperatura del compartimento congelador no se puede ajustar.



Función Super Cool

Después de introducir alimentos en el compartimento frigorífico, si desea enfriarlos rápidamente, puede activar la función Super Cool.

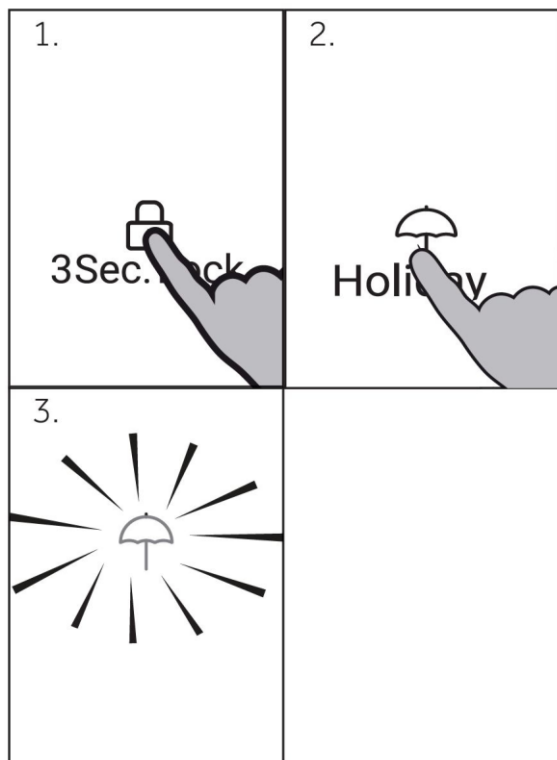
Desbloquee la configuración pulsando la tecla "Q" durante 3 segundos.

En estado de desbloqueo, pulse la tecla "M" (Selector de la función Super Cool); se ilumina el indicador "E" (Indicador de la función Super Cool) y el producto entra en el modo Super Cool. El producto automáticamente sale del modo Super Cool después de 6 horas de activación. Para salir manualmente del modo Super Cool, pulse la tecla "M" (Selector de la función Super Cool) en estado de desbloqueo; el indicador "E" (Indicador de la función Super Cool) se apaga, y el producto sale del modo Super Cool.



Aviso

La función Super Cool se desactiva automáticamente cuando se selecciona el modo Holiday. En el modo Super Cool, la tecla "T" (control de temperatura "-") y la tecla "L" (control de temperatura "+") se bloquean cuando el compartimento frigorífico está seleccionado, y la temperatura del compartimento frigorífico no se puede ajustar.



Modo Holiday

En el modo Holiday, el compartimento frigorífico se ajusta automáticamente a 17 °C (para ahorrar energía), mientras que la Switch Zone y el compartimento congelador funcionan a ajustes normales de temperatura.

Desbloquee la configuración pulsando la tecla "Q" durante 3 segundos.

En estado de desbloqueo, pulse la tecla "O" (Selector del modo Holiday); se ilumina el indicador "G" (Indicador del modo Holiday), el producto entra en el modo Holiday; para salir, pulse la tecla "O" (Selector del modo Holiday), el indicador "G" se apaga, y el producto sale del modo Holiday.



Aviso

El modo Holiday se desactiva automáticamente cuando la función Super Cool está activada.

En el modo Holiday, la tecla "J" (control de temperatura "-") y la tecla "L" (control de la temperatura "+") se bloquean cuando el compartimento frigorífico está seleccionado, y la temperatura del compartimento frigorífico no se puede ajustar.

Configuración del modo Wi-Fi

PROCEDIMIENTO DE EMPAREJAMIENTO EN LA APLICACIÓN

<p>Paso 1 • Descargue la aplicación hOn de la tienda de aplicaciones.</p> <div style="display: flex; align-items: center;">  <div style="display: flex; gap: 10px;"> <div style="text-align: center;">  </div> <div style="text-align: center;">  </div> <div style="text-align: center;">  </div> </div> </div>	
<p>Paso 2 Cree su cuenta en la aplicación hOn o inicie sesión si ya tiene una.</p> 	<p>Paso 3 Siga las instrucciones de emparejamiento en la aplicación hOn.</p> 

Función Wi-Fi

Si aún no se ha configurado el Wi-Fi, al encender el frigorífico por primera vez, este entrará automáticamente en el modo de configuración y mantendrá este estado durante 30 minutos.

El icono de Wi-Fi "H" parpadea rápidamente y puede iniciarse el registro del producto.

1. Siga las instrucciones de la aplicación para configurar el Wi-Fi.
2. Una vez que se ha configurado el Wi-Fi y se ha establecido la conexión, el icono de Wi-Fi "H" se mantiene encendido con una luz fija.
3. Después de 30 minutos sin realizar ninguna operación, se saldrá automáticamente del modo de configuración Wi-Fi.
4. Si el Wi-Fi ya ha sido configurado, se reconectará automáticamente de acuerdo con la información de configuración si se enciende el Wi-Fi.



Aviso

1. Este producto no está diseñado para uso comercial.
2. Frecuencia de trabajo del transmisor: 2400 MHz ~ 2483,5 MHz
3. Potencia máxima de salida del transmisor: 20dBm



Aviso

1. Para apagar el Wi-Fi, pulse la tecla de Wi-Fi "P" y el icono de Wi-Fi "H" se apagará.
2. Para encender el Wi-Fi e iniciar la configuración, pulse la tecla de Wi-Fi "P" y el icono de Wi-Fi "H" empezará a parpadear lentamente. Si desea desactivar la función Wi-Fi, pulse la tecla "P" una vez. Si desea configurar la función Wi-Fi, pulse la tecla "P" durante 3 segundos pero menos de 20 segundos; oirá una señal acústica, el icono de Wi-Fi parpadea rápidamente y entra en el modo de configuración. Se repiten los pasos anteriores.
3. Si el producto se ha configurado y se apaga la función Wi-Fi, el frigorífico no entrará en el modo de configuración una vez que se vuelva a conectar a la alimentación.
4. Una vez que se ha configurado el Wi-Fi y se ha establecido la conexión, el icono de Wi-Fi "H" se mantiene encendido con una luz fija.

Alarma de la puerta

La alarma de la puerta se activará cuando la puerta esté abierta durante mucho tiempo o no se cierre correctamente, como recordatorio.

PUERTA DEL FRIGORÍFICO IZQUIERDA

PUERTA DEL FRIGORÍFICO DERECHA

PUERTA DEL CONGELADOR

PUERTA DE LA SWITCH ZONE

Dispensador de agua

Con el dispensador de agua es posible beber agua potable fresca.

El depósito de agua debe limpiarse antes del primer uso (véase CUIDADO Y LIMPIEZA).

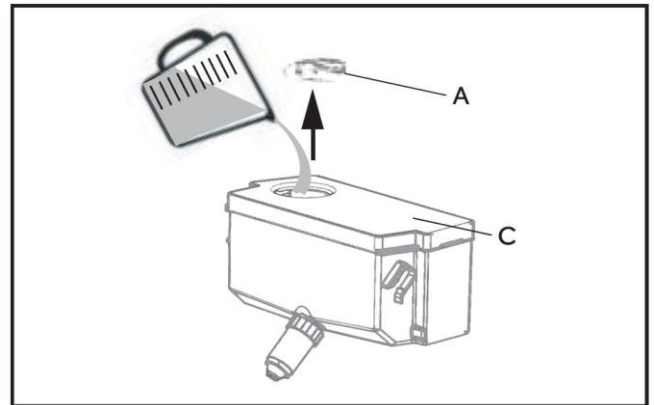
Llenar el depósito de agua



ADVERTENCIA

Llenar solo con agua potable.

1. Asegúrese de que el agua se inserte correctamente (véase EQUIPAMIENTO).
2. Gire y levante la tapa redonda (A) y llene el depósito de agua con agua potable.
3. Llénelo solo hasta la marca (2.5l), ya que de otro modo podría derramarse al abrir y cerrar la puerta.
4. Cierre la tapa redonda (A) hasta oír un chasquido.

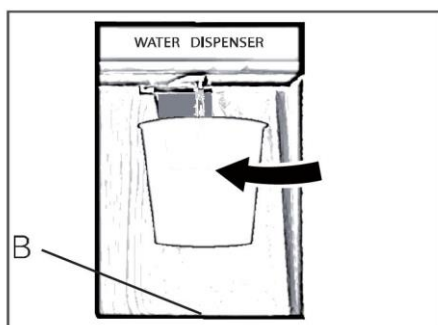


Nota: Dispensador de agua

Antes de volver a llenar, deseche el agua residual y limpie el depósito.

Cuando no vaya a necesitar agua durante mucho tiempo, vacíe el depósito y vuelva a introducirlo una vez limpio.

La cubierta (C) del depósito de agua se utiliza también para ahorrar energía. Si no va a usar agua del dispensador durante mucho tiempo, instale igualmente la cubierta para obtener un mejor aislamiento y ahorro de energía.



Uso del dispensador

1. Ponga un vaso debajo de la salida de agua.
2. Presione suavemente la palanca del dispensador. Asegúrese de que el vaso esté alineado con el dispensador para evitar que salpique fuera.
3. El agua en la bandeja (B) debe eliminarse a tiempo, ya que podría rebosar cuando se abre y se cierra la puerta.

Consejos para almacenar alimentos frescos

Almacenar en el compartimento frigorífico

- ▶ Mantenga la temperatura de su frigorífico por debajo de los 5° C.
- ▶ Los alimentos calientes deben haberse enfriado a temperatura ambiente antes de ser almacenados en el electrodoméstico.
- ▶ Los alimentos almacenados en el frigorífico deben lavarse y secarse antes de almacenarse.
- ▶ Los alimentos a almacenar deben estar debidamente sellados para evitar olores o alteraciones del sabor.
- ▶ No almacene cantidades excesivas de comida. Deje espacio entre los alimentos para permitir que el aire frío fluya alrededor de ellos y lograr una refrigeración mejor y más homogénea.
- ▶ Los alimentos consumidos diariamente deben almacenarse en la parte frontal del estante.
- ▶ Deje espacio entre los alimentos y las paredes interiores, permitiendo que el aire fluya. Se recomienda especialmente que los alimentos no toquen la pared trasera: los alimentos podrían congelarse contra la pared trasera. Evite el contacto directo de los alimentos (especialmente alimentos aceitosos o ácidos) con el revestimiento interno, ya que el aceite/ácido puede erosionarlo. Limpie los restos de aceite/ácido cuando los encuentre.
- ▶ Descongele los alimentos congelados en el compartimento frigorífico. De esta manera, puede utilizar los alimentos congelados para disminuir la temperatura en el compartimento y ahorrar energía.
- ▶ El proceso de maduración de las frutas y verduras como calabacines, melones, papaya, plátano, piña, etc. se puede acelerar en el frigorífico. Por lo tanto, no es aconsejable conservarlos en el frigorífico. Sin embargo, se puede promover la maduración de algunas frutas durante un cierto período. Las cebollas, el ajo, el jengibre y otras raíces también deben almacenarse a temperatura ambiente.
- ▶ Los malos olores en el interior del frigorífico son un signo de que algo se ha derramado y se requiere limpieza. Vea CUIDADO Y LIMPIEZA.
- ▶ Los diferentes alimentos deben colocarse en diferentes áreas según sus propiedades:



Aviso

Mantenga una distancia superior a 10 mm entre los alimentos colocados y los conductos de aire o sensores para garantizar el efecto de refrigeración.



- 1 Mantequilla, quesos, etc.
- 2 Huevos, latas, conservas, especias, etc.
- 3 Bebidas y alimentos embotellados.
- 4 Alimentos encurtidos, alimentos enlatados, etc.
- 5 Productos cárnicos, aperitivos, pasta, alimentos enlatados, leche, tofu, productos lácteos, etc.
- 6 Carne cocinada, salchichas, etc.
- 7 Cajón de la Humidity Zone: Frutas, verduras, ensalada, etc.
- 8 Cajón de la Humidity Zone: Frutas, verduras, ensalada, etc.

Almacenamiento en el compartimiento de la Switch Zone

El compartimiento de la Switch Zone le permite ajustar la temperatura entre -18°C y 5°C según la demanda de almacenamiento de alimentos, y le proporciona mayor flexibilidad en las opciones de almacenamiento para su conveniencia.

-18°C	Para alimentos congelados en general que requieren almacenamiento de entre 1 y 12 meses.	Carne, aves, mariscos, alimentos precocinados y sobras, algunas frutas y verduras, helados y otros postres congelados.
-7°C	Permite dividir fácilmente los alimentos en porciones y la capacidad de calentar, cocinar o servir alimentos directamente desde el compartimiento sin esperar a que se descongelen.	Carnes, mariscos, sopas, salsas, purés, pan, postres y pasteles. Nota: Recomendado para guardar postres cremosos, como el helado.
0°C	Proporciona la zona de almacenamiento perfecta para los alimentos altamente perecederos, ya que asegura que conserven su frescura y calidad.	Carnes, aves y mariscos altamente perecederos. Bebidas alcohólicas como cerveza.
5°C	El modo ideal para alimentos frescos como frutas y verduras, productos lácteos, carnes y bebidas.	Frutas y verduras, productos lácteos, mermeladas y chutneys/conservas, carnes y bebidas.

Conservación en el compartimento congelador

- ▶ Mantenga la temperatura del congelador a -18°C .
- ▶ 24 horas antes de congelar, active la función Super-Freeze (para pequeñas cantidades de alimentos, 4-6 horas son suficientes).
- ▶ Los alimentos calientes deben haberse enfriado a temperatura ambiente antes de ser almacenados en el congelador.
- ▶ Los alimentos cortados en porciones pequeñas se congelarán más rápido y serán más fáciles de descongelar y cocinar. El peso recomendado para cada porción es de menos de 2,5 kg.
- ▶ Es mejor envasar los alimentos antes de introducirlos en el congelador. El exterior del embalaje debe estar seco para evitar que las bolsas se peguen. Los materiales de embalaje deben estar libres de olores y ser herméticos y atóxicos.
- ▶ Para evitar la expiración de los periodos de conservación, anote la fecha de congelación, el límite de tiempo y el nombre de los alimentos en el envase según los periodos de conservación de los diferentes alimentos.
- ▶ **ADVERTENCIA:** El ácido, la alcalinidad y la sal, etc. podrían erosionar la superficie interna del congelador. No coloque los alimentos que contengan estas sustancias (p.ej.: pescados marinos) directamente sobre la superficie interna. El agua salada en el congelador debe limpiarse inmediatamente.
- ▶ No supere el tiempo de almacenamiento recomendado por los fabricantes. Saque solo la cantidad necesaria de alimentos del congelador.
- ▶ Consuma rápidamente los alimentos descongelados. Los alimentos descongelados no pueden volver a congelarse a menos que se cuezan antes; de lo contrario, pueden no ser comestibles.
- ▶ No cargue cantidades excesivas de alimentos frescos en el congelador. Consulte la capacidad de congelación del congelador (Vea los DATOS TÉCNICOS o los datos de la placa).
- ▶ Los alimentos pueden almacenarse en el congelador a una temperatura mínima de -18°C de 2 a 12 meses, dependiendo de sus propiedades (p.ej. carne: 3-12 meses, verduras: 6-12 meses)
- ▶ Cuando congele alimentos frescos, evite ponerlos en contacto con alimentos ya congelados. ¡Riesgo de descongelación!

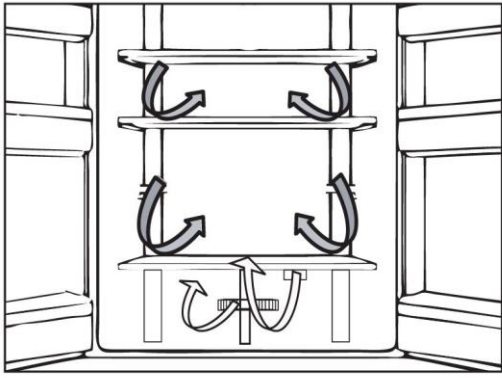
Cuando guarde alimentos congelados en tienda, siga estas directrices:

- ▶ Siempre siga las directrices de los fabricantes sobre el tiempo que debe almacenar los alimentos. ¡No exceda estas directrices!
- ▶ Trate de que el tiempo que pasa entre la compra y el almacenamiento sea el menor posible para preservar la calidad de los alimentos.
- ▶ Compre alimentos congelados que se hayan conservado a una temperatura de -18°C o menos.
- ▶ Evite comprar alimentos que tengan hielo o escarcha en el envase: esto indica que los productos podrían haber sido parcialmente descongelados y recongelados en algún punto (el aumento de la temperatura afecta a la calidad de los alimentos).



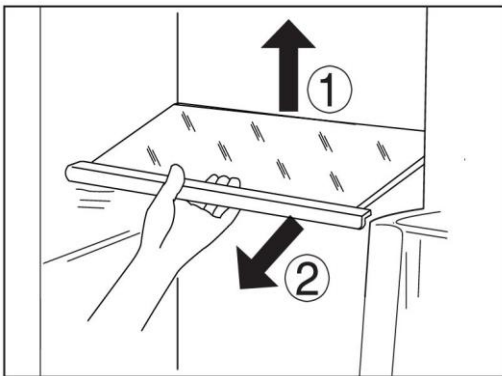
Aviso

- ▶ Mantenga una distancia superior a 10 mm entre los alimentos colocados y los conductos de aire para garantizar el efecto de refrigeración.



Flujo de aire múltiple

El refrigerador está equipado con un sistema de flujo de aire múltiple, con el que se aseguran corrientes de aire frío en cada nivel de estante. Esto ayuda a mantener una temperatura uniforme para asegurar que sus alimentos se mantienen frescos por más tiempo.



Estantes ajustables

La altura de los estantes se puede ajustar para adaptarse a sus necesidades de almacenamiento.

1. Para reubicar un estante, retírelo primero levantando su borde posterior (1) y extráigalo (2).
2. Para volver a instalarlo, colóquelo en los rieles de ambos lados y empuje hasta que la parte trasera del estante se fije dentro de las ranuras laterales.

i Nota:

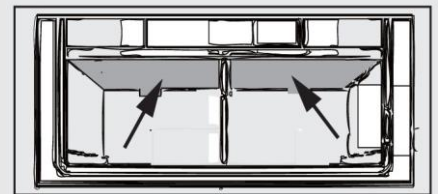
Asegúrese de que todos los extremos del estante estén nivelados.

Cajón de la Humidity Zone

En este compartimiento el nivel de humedad es alrededor del 85%. Está controlado automáticamente por el sistema y es adecuado para guardar fruta, verdura, ensaladas, etc.

i Nota:

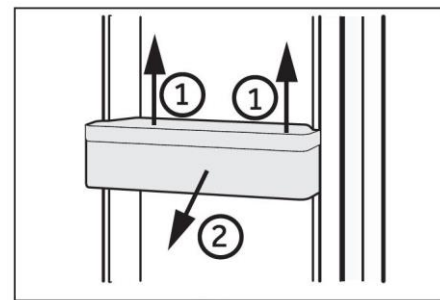
- ▶ No retire la cubierta de plástico del interior de las dos zonas. Mantienen la humedad.
- ▶ Las frutas sensibles al frío como la piña, el aguacate, los plátanos o los pomelos, y las verduras como las patatas, las berenjenas, las judías, los pepinos, los calabacines y los tomates, así como el queso, no deben guardarse en estos dos cajones.



Estantes de la puerta extraíbles

Los estantes de la puerta se pueden desmontar para limpiarlos: Coloque las manos en cada lado del estante, levántelo hacia arriba (1) y extráigalo (2).

Para insertar el estante de la puerta, realice los pasos anteriores en orden inverso.

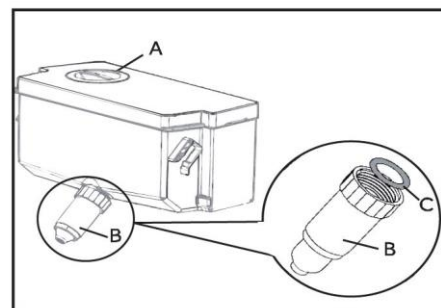


Depósito de agua extraíble

El depósito de agua puede extraerse y reinstalarse para su limpieza de la misma manera que los estantes de la puerta.

Introducir el depósito de agua

Coloque el depósito de agua de modo que la salida de agua (B) encaje con la apertura de la puerta. Asegúrese de que el depósito de agua esté bloqueado.



Nota: Depósito de agua

Asegúrese de que la boquilla esté firmemente atornillada al depósito de agua y la junta tórica blanca (C) está en su sitio.

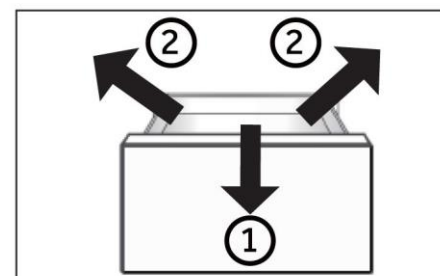
Si el depósito de agua no se introduce correctamente, el agua puede gotear.

No utilice una fuerza excesiva al extraer o instalar el depósito de agua para evitar dañarlo.

Cajón del congelador extraíble

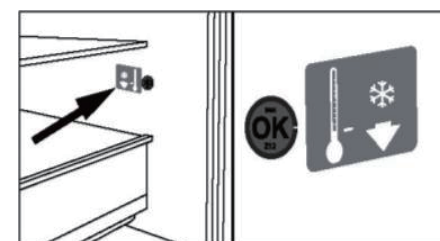
Para sacar el cajón, tire al máximo (1), levante y retire (2).

Para insertar el cajón, realice los pasos anteriores en orden inverso.



OPCIONAL: Indicador de temperatura OK

El indicador de temperatura OK se puede utilizar para determinar temperaturas inferiores a +4 °C. Reduzca gradualmente la temperatura si la señal no indica "OK".



Luz

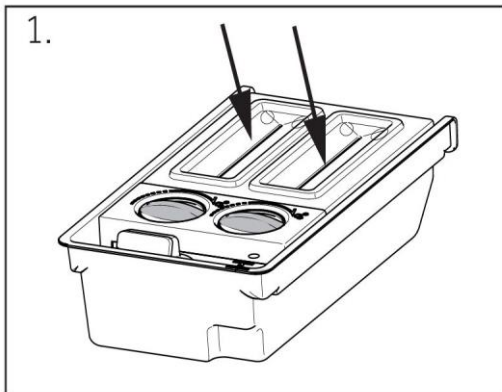
La luz LED interna se enciende cuando se abre la puerta y se apaga automáticamente si la puerta se deja abierta durante más de 7 minutos. El rendimiento de las luces no se ve afectado por ninguna de las otras configuraciones del electrodoméstico.



Consejos de ahorro de energía

- ▶ Asegúrese de que el electrodoméstico esté bien ventilado (vea INSTALACIÓN).
- ▶ No instale el electrodoméstico bajo la luz directa del sol o cerca de fuentes de calor (p. ej.: fogones, estufas...).
- ▶ Evite una temperatura innecesariamente baja en el electrodoméstico. El consumo de energía aumenta la temperatura del electrodoméstico.
- ▶ Las funciones como Super- Freeze consumen más energía.
- ▶ Deje enfriar los alimentos calientes antes de introducirlos en el electrodoméstico.
- ▶ Abra la puerta del electrodoméstico lo menos y lo más brevemente posible.
- ▶ No llene en exceso el electrodoméstico para evitar obstruir la circulación de aire.
- ▶ Evite la presencia de aire dentro del embalaje de los alimentos.
- ▶ Mantenga las juntas de la puerta limpias para que la puerta se cierre siempre correctamente.
- ▶ Descongele los alimentos congelados en el compartimento frigorífico.
- ▶ La configuración de más ahorro energético requiere que el electrodoméstico mantenga los cajones, las cajas de alimentos y los estantes. en condiciones de fábrica, y los alimentos deben colocarse lo más lejos posible sin bloquear la salida de aire del conducto.

Fabricar cubitos de hielo

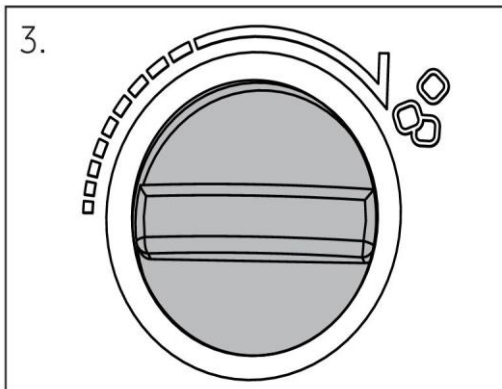


1. Vierta agua potable fresca en cada caja según la marca de escala dentro de la taza medidora, no exceda la marca de la escala.



Nota:

No ponga agua entre los 2 botones, de lo contrario, los botones pueden congelarse y los cubitos de hielo no pueden caer en la caja de almacenamiento.



2. Coloque la caja en el compartimento congelador.
3. Una vez que el agua se convierta en hielo, retire la máquina de hielo del aparato y gire el botón a mano. Entonces, los bloques de hielo caerán en la caja de hielo automáticamente. Retire la tapa y coja los cubitos de hielo.



ADVERTENCIA

Desconecte el electrodoméstico de la fuente de alimentación antes de limpiarlo.

Limpieza

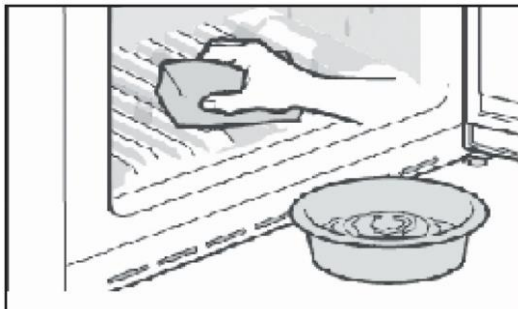
Limpie el electrodoméstico solo cuando haya pocos o ningún alimento guardado.

Este electrodoméstico debe limpiarse cada cuatro semanas para realizar un buen mantenimiento y evitar malos olores.



ADVERTENCIA

- ▶ No limpie el electrodoméstico con cepillos duros, cepillos de alambre, detergente en polvo, gasolina, acetato de amilo, acetona y soluciones orgánicas similares, soluciones ácidas o alcalinas. Limpie con un detergente especial para frigoríficos para evitar daños.
- ▶ No rocíe ni enjuague el electrodoméstico durante la limpieza.
- ▶ No use agua pulverizada o vapor para limpiar el electrodoméstico.
- ▶ No limpie los estantes de cristal fríos con agua caliente. Un cambio repentino de temperatura puede causar que el cristal se rompa.
- ▶ No toque la superficie interior del compartimento del electrodoméstico, especialmente con las manos mojadas, ya que las manos pueden congelarse en la superficie.
- ▶ En caso de calentamiento, compruebe el estado de los productos congelados.

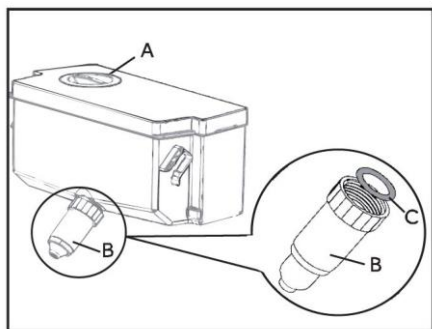


- ▶ Mantenga siempre limpia la junta de la puerta.
 - ▶ Limpie el interior y el armazón del electrodoméstico con una esponja humedecida en agua tibia y detergente neutro.
1. Frote el interior y el exterior del frigorífico, incluyendo la junta de la puerta, los estantes de la puerta, los estantes de cristal, los cajones, etc., con una toalla suave o una esponja sumergida en agua caliente (se puede añadir detergente neutro).
 2. Si hay líquido derramado, retire todas las piezas contaminadas, enjuague directamente con agua corriente, seque y coloque las piezas de nuevo en el frigorífico.
 3. Si hay productos cremosos derramados (como nata, helado derretido...), retire todas las piezas contaminadas, póngalas en agua caliente a unos 40 °C durante un rato, enjuague con agua corriente, séquelas y colóquelas de nuevo en el frigorífico.
 4. En caso de que alguna parte o componente pequeño quede atascada dentro del frigorífico (entre las estanterías o los cajones), utilice un cepillo suave pequeño para sacarlo. Si no la alcanza, póngase en contacto con el servicio de Haier.
- ▶ Aclare y seque con un paño suave.
 - ▶ No limpie ninguna de las piezas o partes de este electrodoméstico en un lavavajillas.
 - ▶ Deje pasar al menos 5 minutos antes de reiniciar el electrodoméstico, ya que el arranque frecuente puede dañar el compresor.

Descongelación

La descongelación de los compartimentos frigorífico y congelador se realiza automáticamente: no se requiere ninguna operación manual.

Limpieza del depósito de agua

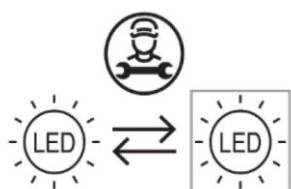


1. Extraiga el depósito de agua del electrodoméstico.
2. Retire la tapa (A).
3. Desenrosque la boquilla del dispensador (B).
4. Limpie el depósito y la boquilla del dispensador con agua tibia y detergente líquido para lavavajillas. Asegúrese de enjuagar bien todo el jabón.
5. Monte el dispensador (B) y asegúrese de que esté firmemente atornillado al depósito de agua y que la junta tórica blanca (C) esté en su sitio.
6. Cierre la tapa (A) y vuelva a colocar el depósito dentro del electrodoméstico.

i Nota: Depósito de agua

Si el depósito de agua no se introduce correctamente, el agua puede gotear. No utilice una fuerza excesiva al extraer o instalar el depósito de agua para evitar dañarlo.

Sustitución de las lámparas LED



Fuente de luz reemplazable (solo LED) por un profesional

Este producto contiene una fuente luminosa de clase de eficiencia energética G.

compartimento	Tensión	Potencia máx.	Clase de eficiencia energética	Modelo
Frigorífico	CC 12V	5 W	G	HCW58F18EWMP

Si no se utiliza durante un período más largo

Si no va a utilizar el electrodoméstico durante un período prolongado de tiempo y no utilizará solo la función Holiday o la función de Frigorífico Off.

- ▶ Saque la comida.
- ▶ Desenchufe el cable de la toma de corriente.
- ▶ Vacíe y limpie el depósito de agua.
- ▶ Limpie el electrodoméstico como se ha descrito anteriormente.
- ▶ Mantenga las puertas abiertas para evitar que se generen malos olores en el interior.

**Aviso**

Apague el electrodoméstico solo si es estrictamente necesario.

Desplazar el electrodoméstico

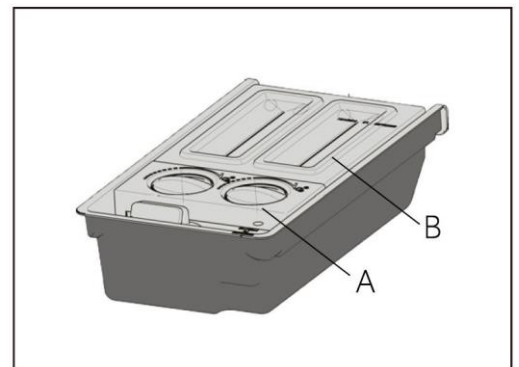
1. Retire toda la comida y desenchufe el electrodoméstico.
2. Fije los estantes y otras partes móviles en el frigorífico y el congelador con cinta adhesiva.
3. No incline el frigorífico más de 45° para evitar dañar el sistema de refrigeración.

**ADVERTENCIA**

- ▶ No levante el electrodoméstico por las asas.
- ▶ No coloque el electrodoméstico horizontalmente sobre el suelo.

Limpieza de la máquina de cubitos de hielo

1. Extraiga la máquina de cubitos de hielo del electrodoméstico.
2. Retire la tapa (A) y (B).
3. Limpie la máquina de cubitos de hielo con agua tibia y detergente líquido para lavavajillas. Asegúrese de enjuagar bien todo el jabón.
4. Cierre las tapas, vuelva a llenar con agua potable y vuelva a colocar la máquina de cubitos de hielo en el interior del aparato.



Usted mismo puede resolver muchos de los problemas que puedan presentarse sin tener conocimientos específicos. En caso de que se produzca algún problema, compruebe todas las posibilidades ilustradas y siga las instrucciones pertinentes antes de ponerse en contacto con un servicio posventa. Vea ATENCIÓN AL CLIENTE.



ADVERTENCIA

- ▶ Antes de realizar tareas de mantenimiento, desactive el electrodoméstico y desconecte el enchufe de la toma de corriente.
- ▶ Los equipos eléctricos solo deben ser revisados y manejados por electricistas expertos cualificados, ya que las reparaciones incorrectas pueden causar daños considerables en consecuencia.
- ▶ Si el sistema de alimentación está dañado, debe ser sustituido por el fabricante, por su servicio técnico o por cualquier profesional cualificado similar para evitar riesgos.

Problema	Causa posible	Solución posible
El compresor no funciona.	<ul style="list-style-type: none"> • El enchufe no está conectado a la toma de corriente. • El electrodoméstico está en el ciclo de descongelación 	<ul style="list-style-type: none"> • Conecte el enchufe. • Esto es normal para una descongelación automática
El electrodoméstico funciona con frecuencia o funciona durante un período de tiempo demasiado largo.	<ul style="list-style-type: none"> • La temperatura interior o exterior es demasiado alta. • El electrodoméstico ha estado apagado durante cierto de tiempo. • Una puerta del electrodoméstico no está bien cerrada. • La puerta se ha abierto con demasiada frecuencia o durante mucho tiempo. • El ajuste de temperatura del compartimento congelador es demasiado bajo. • La junta de la puerta está sucia, desgastada, agrietada o desaparejada. • La circulación de aire requerida no está garantizada. 	<ul style="list-style-type: none"> • En este caso, es normal que el electrodoméstico funcione más tiempo. • Normalmente, lleva de 8 a 12 horas que el electrodoméstico se enfríe completamente. • Cierre la puerta/cajón y asegúrese de que el electrodoméstico esté ubicado sobre una superficie plana y que no haya alimentos o recipientes que impidan que la puerta se cierre bien. • No abra la puerta/cajón con demasiada frecuencia. • Ajuste una temperatura más alta hasta obtener una temperatura satisfactoria para el frigorífico. Se necesitan 24 horas para que la temperatura del frigorífico se mantenga estable. • Limpie la junta de la puerta/cajón o pídale al servicio de atención al cliente que la cambie. • Garantice una ventilación adecuada.
El interior del frigorífico está sucio y/o huele mal.	<ul style="list-style-type: none"> • El interior del frigorífico necesita limpieza. • Hay alimentos de olor fuerte guardados en el frigorífico. 	<ul style="list-style-type: none"> • Limpie el interior del frigorífico. • Envuelva bien los alimentos.

Problema	Causa posible	Solución posible
La temperatura del interior del electrodoméstico no es lo suficientemente fría.	<ul style="list-style-type: none"> • La temperatura establecida es demasiado alta. • Se han almacenado alimentos demasiado calientes. • Se ha almacenado demasiada comida a la vez. • Los alimentos están demasiado cerca entre sí. • Una puerta/cajón del electrodoméstico no está bien cerrada. • La puerta/cajón se ha abierto con demasiada frecuencia o durante mucho tiempo. 	<ul style="list-style-type: none"> • Restablezca la temperatura. • Enfríe siempre los alimentos antes de guardarlos. • Guarde siempre pequeñas cantidades de alimentos. • Deje un espacio entre varios alimentos para permitir que el aire fluya. • Cierre la puerta/cajón. • No abra la puerta/cajón con demasiada frecuencia.
La temperatura del interior del electrodoméstico es demasiado fría.	<ul style="list-style-type: none"> • La temperatura establecida es demasiado baja. • La función Super-Frz/Super-Cool está activada o ha estado funcionando demasiado tiempo. 	<ul style="list-style-type: none"> • Restablezca la temperatura. • Apague la función Super-Frz/ Super-Cool.
Formación de humedad en el interior del compartimento frigorífico.	<ul style="list-style-type: none"> • El ambiente es demasiado cálido y demasiado húmedo. • Una puerta/cajón del electrodoméstico no está bien cerrada. • La puerta/cajón se ha abierto con demasiada frecuencia o durante mucho tiempo. • Hay recipientes de alimentos o líquidos abiertos. 	<ul style="list-style-type: none"> • Aumente la temperatura. • Cierre la puerta/cajón. • No abra la puerta/cajón con demasiada frecuencia. • Deje que los alimentos calientes se enfríen a temperatura ambiente y cubra los alimentos y líquidos.
Se acumula humedad fuera de la superficie o entre las puertas/ puerta y cajón.	<ul style="list-style-type: none"> • El ambiente es demasiado cálido y demasiado húmedo. • La puerta no está bien cerrada. Hay aire frío dentro del electrodoméstico y aire caliente en el exterior, y se produce condensación. 	<ul style="list-style-type: none"> • Esto es normal en un ambiente húmedo y cambiará cuando la humedad disminuya. • Asegúrese de que la puerta/cajón está bien cerrada.
Hay mucho hielo y escarcha en el compartimento congelador.	<ul style="list-style-type: none"> • Los alimentos no están correctamente embalados. • Una puerta/cajón del electrodoméstico no está bien cerrada. • La puerta/cajón se ha abierto con demasiada frecuencia o durante mucho tiempo. • La junta de la puerta/cajón está sucia, desgastada, agrietada o desparejada. • Algo en el interior impide que la puerta/cajón se cierren correctamente. 	<ul style="list-style-type: none"> • Embale bien los alimentos. • Cierre la puerta/cajón. • No abra la puerta/cajón con demasiada frecuencia. • Limpie la junta de la puerta/cajón o cámbiela por una nueva. • Vuelva a colocar los estantes, estantes de la puerta o contenedores internos para permitir que la puerta/cajón se cierre.

Problema	Causa posible	Solución posible
Los lados del frigorífico y la tira de la puerta se calientan.	<ul style="list-style-type: none"> - 	<ul style="list-style-type: none"> Esto es normal.
El electrodoméstico hace sonidos anormales.	<ul style="list-style-type: none"> El electrodoméstico no está ubicado sobre una superficie plana. El electrodoméstico toca algún objeto a su alrededor. 	<ul style="list-style-type: none"> Ajuste las patas para nivelar el electrodoméstico. Retire los objetos que haya alrededor del electrodoméstico.
Se oye un ligero sonido similar al del flujo de agua.	<ul style="list-style-type: none"> - 	<ul style="list-style-type: none"> Esto es normal.
Oír un pitido de alarma.	<ul style="list-style-type: none"> La puerta del compartimento frigorífico está abierta. 	<ul style="list-style-type: none"> Cierre la puerta.
Oír un débil zumbido.	<ul style="list-style-type: none"> El sistema anticondensación está en marcha 	<ul style="list-style-type: none"> Esto evita la condensación y es normal
El sistema de iluminación o refrigeración interior no funciona.	<ul style="list-style-type: none"> El enchufe no está conectado a la toma de corriente. La fuente de alimentación presenta alguna alteración. La lámpara LED no funciona. 	<ul style="list-style-type: none"> Conecte el enchufe. Compruebe el suministro eléctrico a la habitación. Llame a la compañía eléctrica local. Llame al servicio técnico para cambiar la lámpara.

Para ponerse en contacto con el servicio de asistencia técnica, visite nuestro sitio web: <https://corporate.haier-europe.com/en/>

En la sección "website", elija la marca de su producto y su país. Se le redirigirá a la página web específica donde podrá encontrar el número de teléfono y el formulario para ponerse en contacto con el servicio de asistencia técnica.

Interrupción del suministro

En caso de un corte de luz, los alimentos deberían permanecer frescos y a salvo durante 5 horas. Siga estos consejos durante una interrupción prolongada del suministro, especialmente en verano:

- ▶ abra la puerta/cajón lo menos posible.
- ▶ No introduzca más alimentos en el electrodoméstico durante un corte de luz.
- ▶ Si se da el aviso previo de un corte de luz y la duración de la interrupción es superior a 5 horas, fabrique algo de hielo y póngalo en un recipiente en la parte superior del compartimento frigorífico.
- ▶ Inmediatamente después de la interrupción, es necesario llevar a cabo una inspección de los alimentos.
- ▶ Como la temperatura del frigorífico subirá durante una interrupción del suministro eléctrico u otro fallo, el período de conservación y la calidad comestible de los alimentos se reducirán. Cualquier alimento que se descongele debe consumirse, o bien cocinarse y volver a congelarse (cuando proceda) rápidamente para evitar riesgos para la salud.

Función de memoria durante el corte de luz

En cuanto vuelva la luz, el electrodoméstico restablecerá los ajustes establecidos antes del corte de luz.

Desempaquetado



ADVERTENCIA

- ▶ Este es un electrodoméstico pesado. Manipúlelo con la ayuda de otra persona.
- ▶ Mantenga todo el material de embalaje fuera del alcance de los niños y deséchelo de forma respetuosa con el medio ambiente.
- ▶ Saque el electrodoméstico de su embalaje.
- ▶ Retire todos los materiales de embalaje.

Condiciones ambientales

La temperatura ambiente debería encontrarse siempre entre 10° C y 43° C, ya que puede influir en la temperatura del interior del frigorífico y en su consumo de energía. No instale el electrodoméstico cerca de otros electrodomésticos emisores de calor (hornos, neveras) sin aislamiento.

Requisitos de espacio

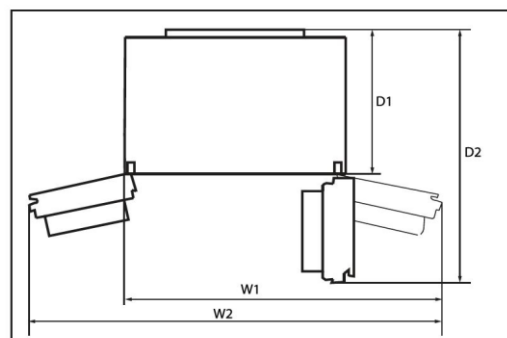
Espacio requerido con la puerta abierta:

W1=1076 mm

W2=1360 mm

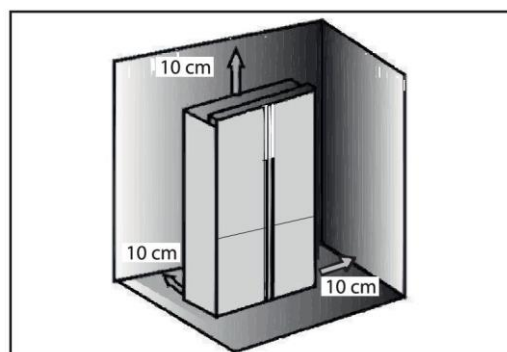
D1=628 mm

D2=1064 mm



Sección cruzada de ventilación

Para lograr una ventilación suficiente del electrodoméstico por razones de seguridad, debe observarse la información de las secciones cruzadas de ventilación requeridas.

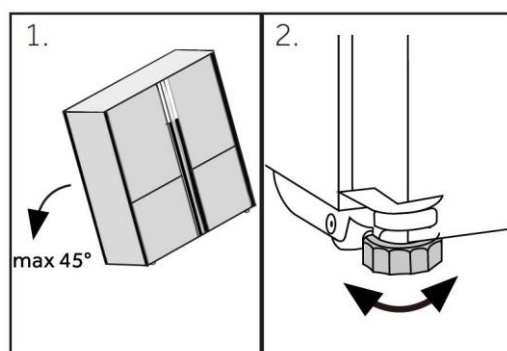


Nivelación del electrodoméstico

Este electrodoméstico debe colocarse sobre una superficie plana y sólida.

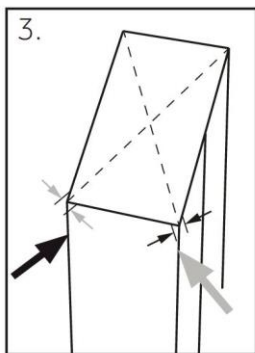
1. Incline el frigorífico ligeramente hacia atrás.
2. Ajuste las patas al nivel deseado.

Asegúrese de que la distancia a la pared del lado de la bisagra sea de al menos 10 cm para que la puerta se abra correctamente.

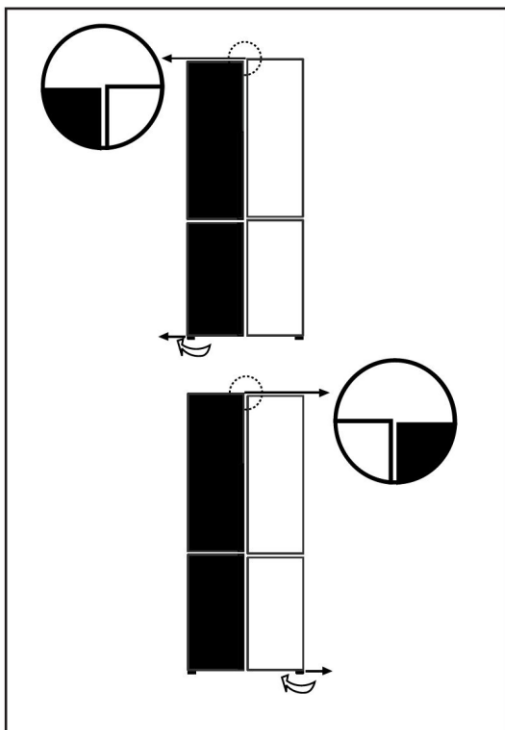


Nota:

Para un electrodoméstico independiente: este electrodoméstico de refrigeración no está diseñado para ser utilizado como un electrodoméstico integrado.



1. Puede comprobarse la estabilidad golpeando alternativamente las diagonales. El ligero bamboleo debe ser el mismo en ambas direcciones. De lo contrario, el marco puede deformarse y resultar en fugas en las juntas de la puerta. Una ligerísima inclinación hacia atrás facilita el cierre de las puertas.



Ajuste de las puertas

Si las puertas no están niveladas, este desajuste puede ser solucionado de la siguiente manera:

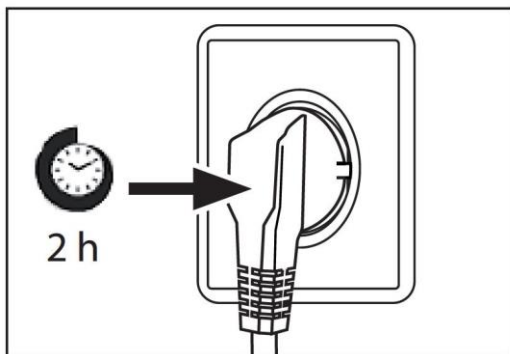
Uso de las patas ajustables

Gire la pata ajustable según la dirección de la flecha para subir o bajar la pata.

Póngase en contacto con el servicio posventa si es necesario.

i Nota:

Durante el uso futuro del frigorífico, las puertas pueden desnivelarse por el peso de los alimentos almacenados. En ese caso, ajuste siguiendo las instrucciones anteriores.



Tiempo de espera

El aceite de lubricación sin mantenimiento se encuentra en la cápsula del compresor. Este aceite puede pasar por el sistema de tuberías cerradas durante el transporte si el electrodoméstico está inclinado. Antes de conectar el electrodoméstico a la fuente de alimentación, espere al menos 2 horas para que el aceite vuelva a entrar en la cápsula.

Conexión eléctrica

Antes de cada conexión, compruebe si:

- ▶ La fuente de alimentación, la toma de corriente y el fusible son adecuados para la placa de clasificación.
- ▶ La toma de corriente tiene conexión a tierra y no tiene múltiples contactos ni extensiones.
- ▶ El enchufe y la toma de corriente encajan perfectamente.

Conecte el enchufe a una toma de corriente doméstica correctamente instalada.



ADVERTENCIA

Para evitar riesgos, solo el servicio de atención al cliente debe reemplazar un cable de alimentación dañado (ver tarjeta de garantía).

Ficha del producto conforme al Reglamento UE n.º 2019/2016

Marca	Haier
Nombre del modelo / identificador	HCW58F18EWMP
Categoría del modelo	Frigorífico-congelador
Clase de eficiencia energética	E
Consumo anual de energía (kWh/año)(1)	297
Volumen total (L)	507
Volumen del frigorífico (L)	321
Volumen del congelador (L)	87
Volumen del compartimento de temperatura variable (L)	99
Estrellas	
Temperatura de otros compartimentos > 14 °C	No aplicable
Sistema Frost-free	Sí
Capacidad de congelación (kg/24 h)	6
Clasificación climática (2)	SN-N-ST
Clase de emisión de ruido y emisiones de ruido acústico en el aire (db (A) re 1pW)	C(38)
Tiempo de aumento de la temperatura (h)	9
Tipo de electrodoméstico	Independiente
Otros	-

Explicaciones:

• Sí

- (1) Basado en los resultados de la prueba de conformidad normativa durante 24 horas. El consumo real depende del uso y de la ubicación del electrodoméstico.
- (2) Calificación climática SN: Este electrodoméstico está diseñado para ser utilizado a una temperatura ambiente comprendida entre + 10 °C y +32 °C
 Calificación climática N: Este electrodoméstico está diseñado para ser utilizado a una temperatura ambiente comprendida entre + 16 °C y +32 °C
 Calificación climática ST: Este electrodoméstico está diseñado para ser utilizado a una temperatura ambiente comprendida entre + 16 °C y +38 °C
 Calificación climática T: Este electrodoméstico está diseñado para ser utilizado a una temperatura ambiente comprendida entre + 16 °C y +43 °C

Datos técnicos adicionales

Voltaje / Frecuencia	220-240V ~/50Hz
Corriente de entrada (A)	1,5
Fusible principal (A)	16
Refrigerante	R600a
Tamaño (Al/An/Pr en mm)	1775 / 830 / 705

Recomendamos nuestro Servicio de atención al cliente Haier y el uso de repuestos originales. Si tiene algún problema con su electrodoméstico, compruebe primero la sección SOLUCIÓN DE PROBLEMAS.

Si no encuentra una solución allí, póngase en contacto con

- ▶ su distribuidor local o
- ▶ nuestro Centro europeo de atención al cliente (ver números de teléfono listados abajo) o
- ▶ el área de servicio y asistencia en www.haier.com, donde puede activar la
- ▶ solicitud de servicio y encontrar las Preguntas frecuentes.

Para ponerse en contacto con nuestro Servicio, asegúrese de tener los siguientes datos disponibles.

Puede encontrar la información en la placa de datos.

Modelo _____

N.º de serie _____

Compruebe también la tarjeta de garantía suministrada con el producto en caso de garantía.

Centro europeo de atención al cliente		
País*	Número de teléfono	Costes
Haier Italy (IT)	199 100 912	
Haier Spain (ES)	902 509 123	
Haier Germany (DE)	0180 5 39 39 99	<ul style="list-style-type: none">• 14 ct/min teléfono fijo• máx. 42 ct/min móvil
Haier Austria (AT)	0820 001 205	<ul style="list-style-type: none">• 14,53 ct/min teléfono fijo• máx. 20 ct/min el resto
Haier United Kingdom (UK)	0333 003 8122	
Haier France (FR)	0980 406 409	

* Para otros países, consulte www.haier.com

Haier Europe Trading S.r.l
Sucursal Reino Unido
Westgate House, Westgate, Ealing
Londres, W5 1YY

*Duración de la garantía del electrodoméstico de refrigeración:

La garantía mínima es de: 2 años para los países de la UE, 3 años para Turquía, 1 año para el Reino Unido, 1 año para Rusia, 3 años para Suecia, 2 años para Serbia, 5 años para Noruega, 1 año para Marruecos, 6 meses para Argelia, Túnez sin garantía legal, al no requerirse.

*El período de piezas de repuesto para la reparación del aparato:

Los termostatos, los sensores de temperatura, las placas de circuito impresas y las fuentes de luz están disponibles durante un período mínimo de 7 años después de la comercialización de la última unidad del modelo.

Las asas, bisagras, bandejas y cestas lo están durante un período mínimo de 7 años, y las juntas durante un período mínimo de 10 años después de la comercialización de la última unidad del modelo.

*Para más información sobre el producto, consulte <https://eprel.ec.europa.eu/> o escanee el código QR en la etiqueta energética suministrada con el electrodoméstico.

2022 versión B

Haier Smart Home Co.,Ltd.
No.1 Haier Road,Haier Industry Park,Hi-Tech Zone,
266103 Qingdao,Shandong,China
MADE IN CHINA

Haier



0060535245



Manuel d'utilisation

Réfrigérateur-
congélateur

HCW58F18EWMP

FR

Haier

Merci d'avoir acheté un produit Haier.

Veillez lire attentivement ces instructions avant d'utiliser cet appareil. Les instructions contiennent des informations importantes qui vous aideront à tirer le meilleur parti de l'appareil et à assurer l'installation, l'utilisation et l'entretien sûrs et appropriés de celui-ci.

Conservez ce manuel dans un endroit pratique afin que vous puissiez toujours vous référer à celui-ci pour une utilisation sûre et appropriée de l'appareil.

Si vous vendez l'appareil, si vous le donnez ou si vous le laissez derrière vous lorsque vous déménagez, assurez-vous que vous transmettez également ce manuel pour que le nouveau propriétaire puisse se familiariser avec l'appareil et les consignes de sécurité.



Légende

Avertissement - Informations importantes sur la sécurité

Informations générales et conseils

Informations environnementales

Mise au rebut

Contribuez à protéger l'environnement et la santé humaine. Jetez l'emballage dans les bacs correspondants pour le recycler. Aidez à recycler les déchets d'appareils électriques et électroniques. Ne jetez pas les appareils marqués de ce symbole avec les déchets ménagers. Ramenez le produit à votre déchetterie locale ou contactez votre bureau municipal.



AVERTISSEMENT !

Risque de blessure ou de suffocation !

Les frigorigènes et les gaz doivent être éliminés professionnellement. Assurez-vous que le tube du circuit réfrigérant n'est pas endommagé avant d'être correctement éliminé. Débranchez l'appareil du secteur. Coupez le câble d'alimentation et jetez-le. Retirez les clayettes et les tiroirs ainsi que le verrou et les joints de la porte, afin d'éviter que les enfants et les animaux domestiques ne se retrouvent enfermés dans l'appareil.

Informations sur la sécurité	4
Description du produit	10
Panneau de commande.....	11
Utilisation.....	12
Matériel	26
Entretien et nettoyage.....	29
Dépannage.....	32
Installation	35
Données techniques	38
Service clientèle	40

Accessoires

Vérifiez les accessoires et la littérature conformément à cette liste :



Machine à glaçons
avec cuillère à
glace



3 entretoises



Étiquette
énergétique



Carte de garantie



Mode d'emploi
Autocollant
« OK » Mode
d'emploi

Remarque : uniquement pour le modèle HCW58F18EWMP

Avant d'allumer l'appareil pour la première fois, lisez les conseils de sécurité suivants :



AVERTISSEMENT !

Avant la première utilisation

- ▶ Assurez-vous qu'il n'a pas été endommagé pendant le transport.
- ▶ Retirez tous les emballages et gardez-les hors de portée des enfants.
- ▶ Attendez au moins deux heures avant d'installer l'appareil afin de vous assurer que le circuit réfrigérant fonctionne parfaitement.
- ▶ Manipulez toujours l'appareil avec au moins deux personnes parce qu'il est lourd.

Installation

- ▶ L'appareil doit être placé dans un endroit bien ventilé. Garantissez un espace d'au moins 10 cm au-dessus et autour de l'appareil.
- ▶ Ne placez jamais l'appareil dans un endroit humide ou un endroit où il pourrait être éclaboussé d'eau. Nettoyez et séchez les éclaboussures d'eau et les taches avec un chiffon doux et propre.
- ▶ N'installez pas l'appareil en plein soleil ou à proximité de sources de chaleur (par ex. cuisinières, chauffages).
- ▶ Installez et mettez à niveau l'appareil dans une zone adaptée à sa taille et à son utilisation.
- ▶ **AVERTISSEMENT :** Maintenez les ouvertures de ventilation situées dans l'appareil ou dans la structure encastrée libres de toute obstruction.
- ▶ Assurez-vous que les informations électriques figurant sur la plaque signalétique sont conformes à l'alimentation électrique. Si ce n'est pas le cas, contactez un électricien.
- ▶ L'appareil est alimenté par une alimentation de 220-240 VCA/50 Hz. Les variations anormales de tension peuvent provoquer l'arrêt de l'appareil ou endommager le régulateur de température ou le compresseur, ou il peut y avoir un bruit anormal lors du fonctionnement. Dans ce cas, un régulateur automatique doit être monté.
- ▶ N'utilisez pas d'adaptateurs multiprises ni de rallonges.
- ▶ **AVERTISSEMENT :** Ne placez pas de systèmes multiprises portatifs ou d'alimentations portatives à l'arrière de l'appareil.
- ▶ **AVERTISSEMENT :** Lors du positionnement de l'appareil, vérifiez que le cordon d'alimentation n'est pas coincé ou abîmé.
- ▶ Ne marchez pas sur le câble d'alimentation.
- ▶ Utilisez une prise de terre séparée pour l'alimentation électrique qui est facile d'accès. L'appareil doit être mis à la terre.

**AVERTISSEMENT !**

► **Uniquement pour le Royaume-Uni :** Le câble d'alimentation de l'appareil est équipé d'une fiche 3 pôles (de mise à la terre) qui s'adapte à une prise standard 3 pôles (de mise à la terre). Ne coupez jamais ou ne démontez jamais la troisième broche (mise à la terre). Une fois l'appareil installé, la fiche doit être accessible.

► **AVERTISSEMENT :** N'endommagez pas le circuit réfrigérant.

Utilisation quotidienne

► Cet appareil peut être utilisé par des enfants à partir de 8 ans et par des personnes ayant des capacités physiques, sensorielles ou mentales réduites ou un manque d'expérience et de connaissances, s'ils sont sous surveillance ou si on leur a appris à utiliser l'appareil en toute sécurité et s'ils comprennent les risques courus.

► Les enfants ne doivent pas jouer avec l'appareil.

► Les enfants âgés de 3 à 8 ans sont autorisés à remplir et vider les appareils de réfrigération, mais ne sont pas autorisés à nettoyer et à installer les appareils de réfrigération.

► Gardez les enfants âgés de moins de 3 ans à l'écart de l'appareil à moins qu'ils ne soient constamment surveillés.

► Le nettoyage et l'entretien ne doivent pas être effectués par des enfants sans surveillance.

► L'appareil doit être positionné de manière à ce que la fiche soit accessible.

► Si du gaz de ville ou tout autre gaz inflammable fuit à proximité de l'appareil, fermez la vanne du gaz qui fuit, ouvrez les portes et les fenêtres et ne débranchez pas le câble d'alimentation du réfrigérateur/congélateur ou de tout autre appareil.

► Notez que l'appareil est conçu pour fonctionner dans une plage de température ambiante spécifique comprise entre 10 °C et 38 °C. L'appareil peut ne pas fonctionner correctement s'il est laissé pendant une longue période à une température inférieure ou supérieure à la plage indiquée.

► Ne placez pas d'objets instables (objets lourds, récipients remplis d'eau) sur le dessus du réfrigérateur/congélateur, pour éviter les blessures corporelles causées par une chute ou une électrocution causée par le contact avec de l'eau.

► Ne tirez pas sur les balconnets. La porte peut être tirée en biais, le porte-bouteilles peut être retiré ou l'appareil risque de basculer.

► Ouvrez et fermez la porte uniquement à l'aide des poignées. L'écart entre la porte et la cave est très étroit. Ne mettez pas vos mains dans ces zones pour éviter de vous pincer les doigts. Ouvrez ou fermez les portes du réfrigérateur/congélateur uniquement lorsqu'il n'y a pas d'enfants dans le rayon de mouvement de la porte.



AVERTISSEMENT !

- ▶ Pour éviter la contamination des aliments, veuillez respecter les instructions suivantes :
- ▶ – L'ouverture prolongée de la porte peut entraîner une augmentation significative de la température dans les compartiments de l'appareil.
- ▶ – Nettoyez régulièrement les surfaces pouvant se retrouver au contact des aliments et les systèmes d'écoulement accessibles.
- ▶ – Nettoyez les réservoirs d'eau s'ils n'ont pas été utilisés pendant 48 h ; rincez le système d'eau raccordé à l'arrivée d'eau si l'eau n'a pas été tirée pendant 5 jours.
- ▶ – Conservez au réfrigérateur la viande et le poisson crus dans des récipients adaptés, afin qu'ils ne se retrouvent pas au contact d'autres aliments et qu'ils ne s'égouttent pas dessus.
- ▶ – Les compartiments pour produits surgelés à deux étoiles sont adaptés pour conserver les aliments pré-surgelés, conserver ou préparer des glaces et fabriquer des glaçons.
- ▶ – Les compartiments à une, deux et trois étoiles ne sont pas adaptés pour surgeler les aliments frais.
- ▶ – Si l'appareil de réfrigération reste vide pendant de longues périodes, éteignez-le, dégivrez-le, nettoyez-le, séchez-le et laissez la porte ouverte pour prévenir la formation de moisissure à l'intérieur de l'appareil.
- ▶ Ne conservez jamais les boissons ou les bières en bouteille, les liquides dans des bouteilles ou des canettes (en dehors des spiritueux avec un degré d'alcool très élevé), en particulier les boissons gazeuses, dans le congélateur car ceux-ci pourraient exploser durant la congélation.
- ▶ Ne rangez pas des substances explosives comme des bombes d'aérosol contenant un combustible inflammable dans cet appareil.
- ▶ Ne conservez pas de médicaments, de bactéries ou d'agents chimiques dans l'appareil. Cet appareil est un appareil électroménager. Il n'est pas recommandé pour stocker des produits qui nécessitent des températures strictes.
- ▶ Vérifiez l'état des aliments si l'intérieur du congélateur s'est réchauffé.
- ▶ Ne réglez pas une température inutilement basse dans le compartiment du réfrigérateur. Des températures inférieures peuvent se produire à des réglages élevés. Attention : Les bouteilles peuvent éclater
- ▶ Ne touchez pas les produits surgelés avec les mains mouillées (portez des gants). Ne mangez surtout pas les glaces à eau juste après les avoir sorties du compartiment congélateur. Vous risquez de vous blesser ou de vous brûler à cause du froid. Premiers secours : mettez immédiatement sous l'eau froide. Ne retirez pas !

**AVERTISSEMENT !**

- ▶ Ne touchez pas la surface intérieure du compartiment congélateur lorsqu'il est en fonctionnement, en particulier avec les mains mouillées, car vos mains peuvent geler sur la surface.
- ▶ Débranchez l'appareil en cas de coupure de courant ou avant de le nettoyer. Attendez au moins 7 minutes avant de redémarrer l'appareil, car le démarrage fréquent risque d'endommager le compresseur.
- ▶ **AVERTISSEMENT :** N'utilisez pas d'appareils électriques à l'intérieur des compartiments de conservation des aliments de l'appareil, sauf s'ils correspondent aux modèles recommandés par le fabricant.

Entretien/nettoyage

- ▶ Veillez à superviser les enfants s'ils effectuent le nettoyage et l'entretien.
- ▶ Débranchez l'appareil du secteur avant d'effectuer tout entretien courant. Attendez au moins 5 minutes avant de redémarrer l'appareil, car des démarrages trop fréquents risqueraient d'endommager le compresseur.
- ▶ Tenez la fiche, pas le câble, lorsque vous débranchez l'appareil.
- ▶ Ne nettoyez pas l'appareil à l'aide de brosses dures, de brosses métalliques, de détergents en poudre, d'essence, d'acétate d'amyle, d'acétone et de solutions organiques similaires, d'acides ou de solutions alcalines. Nettoyez-le avec un détergent spécial pour réfrigérateur/congélateur afin d'éviter de l'endommager. Enfin, utilisez de l'eau tiède et une solution de bicarbonate de soude : environ une cuillère à soupe de bicarbonate de soude pour un litre/quart d'eau. Rincez abondamment à l'eau et essuyez. N'utilisez pas de poudres de nettoyage ou d'autres nettoyeurs abrasifs. Ne lavez pas les pièces amovibles au lave-vaisselle.
- ▶ Ne raclez pas le givre et la glace avec des objets tranchants. N'utilisez pas de pulvérisateurs ni de réchauffeurs électriques comme des nettoyeurs à vapeur, des sèche-cheveux ou d'autres sources de chaleur pour éviter d'endommager les pièces en plastique.
- ▶ **AVERTISSEMENT :** N'utilisez pas de dispositifs mécaniques ou d'autres moyens pour accélérer le processus de dégivrage, hormis ceux recommandés par le fabricant.
- ▶ Si le cordon d'alimentation est endommagé, faites-le remplacer par le fabricant, le service après-vente ou un électricien qualifié pour éviter tout risque d'accident.
- ▶ N'essayez pas de réparer, démonter ou modifier l'appareil vous-même. En cas de réparation, veuillez contacter notre service clientèle.
- ▶ Si les lampes d'éclairage sont endommagées, elles doivent être remplacées par le fabricant, son service de maintenance ou des personnes de qualification similaire afin d'éviter tout danger.



AVERTISSEMENT !

- ▶ Éliminez la poussière à l'arrière de l'appareil au moins une fois par an pour éviter tout risque d'incendie, ainsi que l'augmentation de la consommation d'énergie.
- ▶ Ne pulvérisez pas et ne rincez pas l'appareil pendant le nettoyage.
- ▶ N'utilisez pas de jet d'eau ou de vapeur pour nettoyer l'appareil.
- ▶ Ne nettoyez pas les clayettes froides en verre ou la porte vitrée à l'eau chaude. Un changement soudain de température peut casser le verre.
- ▶ Si vous laissez votre appareil hors d'usage pendant une période prolongée, laissez-le ouvert pour éviter que des odeurs désagréables se forment à l'intérieur.

Informations sur les gaz réfrigérants



AVERTISSEMENT !

L'appareil contient de l'ISOBUTANE, un réfrigérant inflammable (R600a). Assurez-vous que le circuit du réfrigérant n'est pas endommagé pendant le transport ou l'installation. Les fuites de frigorigène peuvent provoquer des blessures oculaires ou s'enflammer. Si un dommage s'est produit, gardez les sources de feu ouvert à l'écart, aérez complètement la pièce, ne branchez **pas** ou ne débranchez pas les cordons d'alimentation de l'appareil ou de tout autre appareil. Informez le service à la clientèle.

En cas de contact du réfrigérant avec les yeux, rincez-les immédiatement à l'eau courante et appelez immédiatement un oculiste.

AVERTISSEMENT : Le système de réfrigération est sous haute pression. Ne le modifiez pas. Étant donné que des réfrigérants inflammables sont utilisés, veuillez installer, manipuler et entretenir l'appareil en suivant strictement les instructions et contacter l'agent professionnel ou notre service après-vente pour mettre l'appareil au rebut.



AVERTISSEMENT !

Pour les réfrigérateurs équipés d'une fonction eau glacée, veuillez faire attention à l'avertissement suivant :

Pour les appareils non destinés à être raccordés à l'alimentation en eau :

AVERTISSEMENT : remplissez d'eau potable uniquement.

Pour les appareils destinés à être raccordés à l'alimentation en eau :

AVERTISSEMENT : raccordez uniquement à l'alimentation en eau potable.

Si vous souhaitez nettoyer le système d'eau, reportez-vous au manuel d'utilisation. Si vous avez des questions, veuillez contacter le service après-vente.

Utilisation prévue

Cet appareil est destiné à réfrigérer et à congeler les aliments. Il a été conçu exclusivement pour une utilisation dans les habitations et des applications similaires telles que les espaces de cuisine dans les magasins, bureaux et autres environnements de travail ; les habitations rurales et par les clients dans les hôtels, motels et autres environnements de type résidentiel, ainsi que dans les chambres d'hôtes ou B&B et activités de restauration. Il n'est pas destiné à un usage commercial ou industriel.

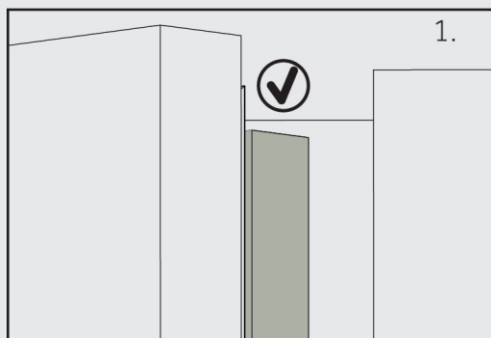
Les changements ou modifications apportés à l'appareil ne sont pas autorisés. Une utilisation non prévue peut entraîner des risques et la perte de garantie.

Normes et directives **CE** et **UK CA**

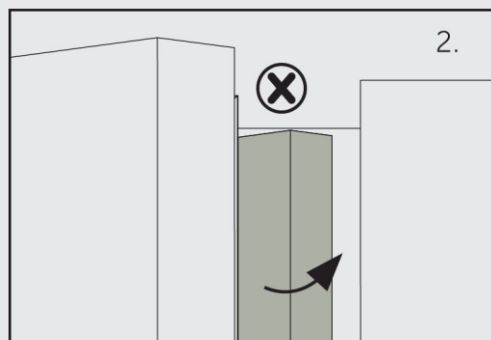
Ce produit satisfait aux exigences de toutes les directives CE applicables avec les normes harmonisées correspondantes et les normes du Royaume-Uni, qui prévoient le marquage CE et UK.



ATTENTION !



Lorsque vous fermez la porte, la bande verticale de la porte gauche du réfrigérateur doit être pliée à l'intérieur (1).



Si vous essayez de fermer la porte gauche et que la bande de la porte verticale n'est pas pliée (2), vous devriez la plier d'abord, sinon la bande de la porte frappera la tige de fixation ou la porte droite. Ainsi, il y aura un dommage au niveau de la bande de la porte ou une fuite se produira.

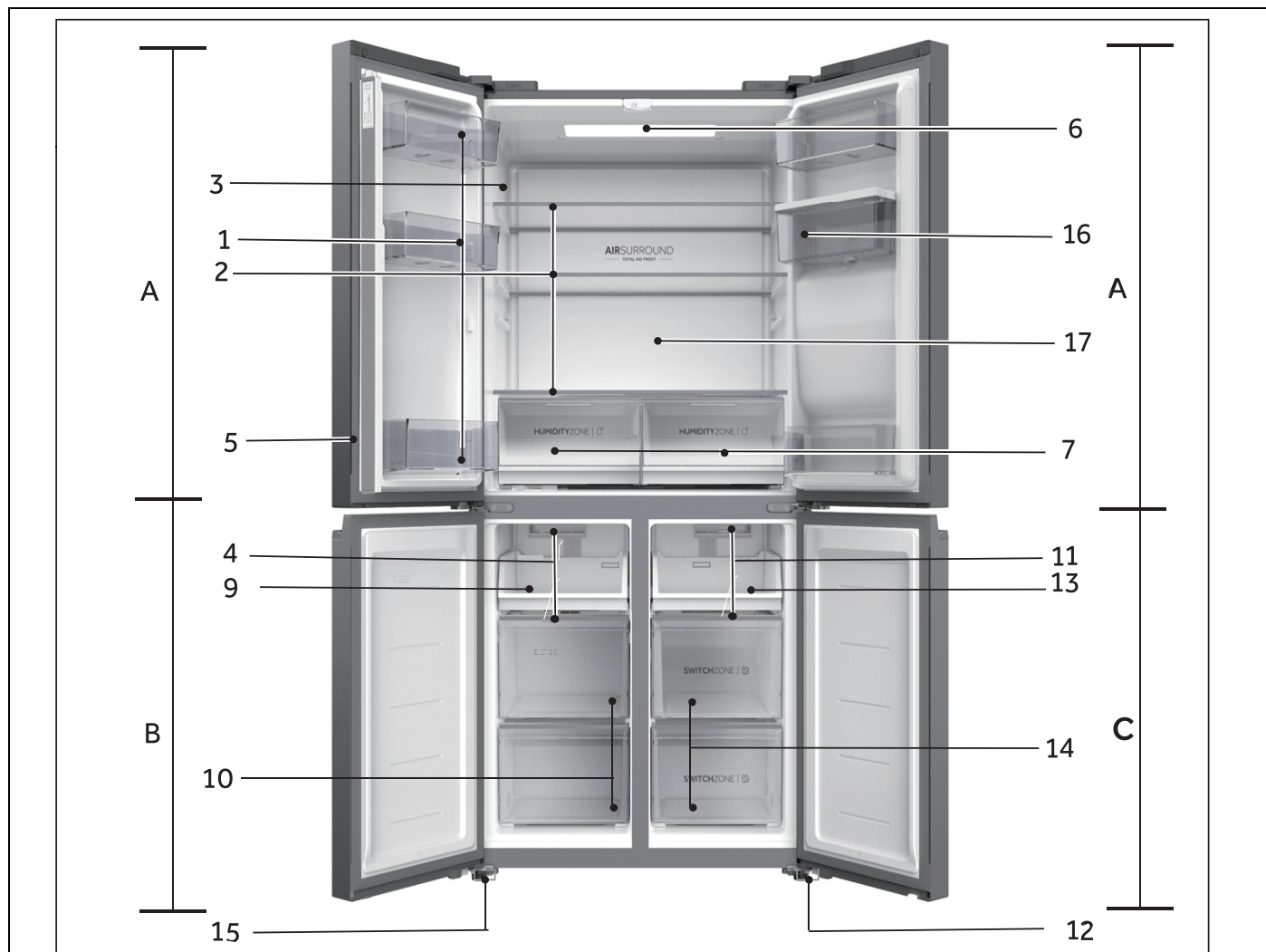
Il y a un filament chauffant à l'intérieur du châssis. La température de la surface augmentera légèrement, ce qui est normal et n'affectera pas le fonctionnement de l'appareil.



Remarque

En raison des changements techniques et de différents modèles, certaines des illustrations de ce manuel peuvent différer de votre modèle.

Modèle (HCW58F18EWMP)



A : Compartiment réfrigérateur

- 1 Étagère de porte
- 2 Étagère de compartiment
- 3 Plaque signalétique
- 5 Bande de porte
- 6 Lampe de plafond
- 7 Tiroir Humidity zone
- 8 Distributeur d'eau
- 16 Réservoir d'eau
- 17 Conduit d'air

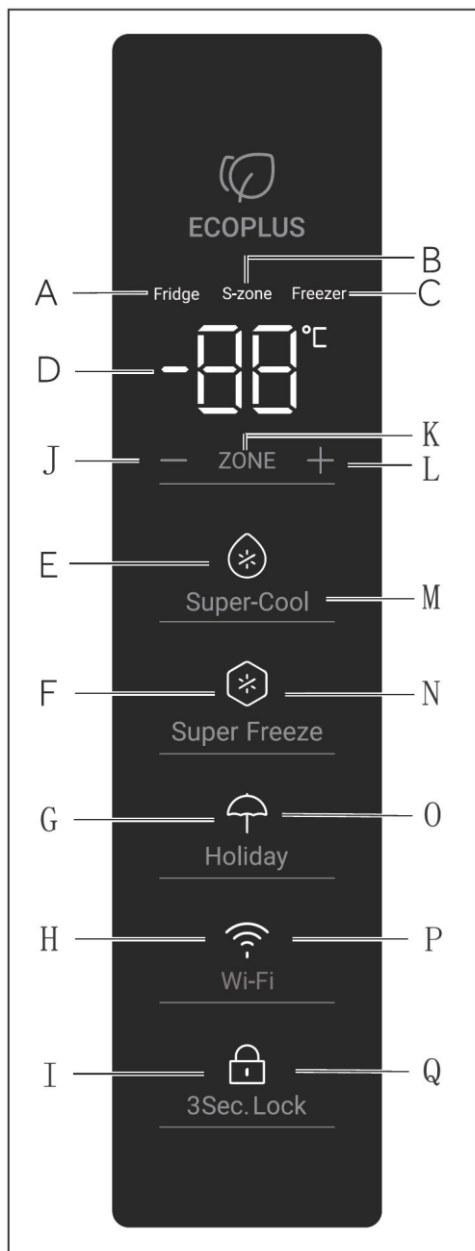
B : Compartiment congélateur

- 4 Conduit d'air
- 9 Plateau de rangement
- 10 Tiroir de rangement
- 15 Pieds réglables

C : Compartiment Switch Zone

- 11 Conduit d'air
- 12 Pieds réglables
- 13 Plateau de rangement
- 14 Tiroir de rangement Switch Zone

Panneau de commande (HCW58F18EWMP)



Indicateur :

- A Compartiment réfrigérateur
- B Switch Zone
- C Compartiment congélateur
- D Affichage de la température
- E Fonction Super Cool
- F Fonction Super Freeze
- G Mode Holiday
- H Fonction Wi-Fi
- I Verrouillage du panneau

Touches :

- J Contrôle de la température « - »
- K Sélection des compartiments
- L Contrôle de la température « + »
- M Sélecteur de fonction Super Cool
- N Sélecteur de fonction Super Freeze
- O Sélecteur de mode Holiday
- P Marche/arrêt de la fonction Wi-Fi
- Q Sélecteur de verrouillage du panneau

Avant la première utilisation

- ▶ Retirez tous les emballages, gardez-les hors de la portée des enfants, puis jetez-les d'une manière respectueuse de l'environnement.
- ▶ Nettoyez l'intérieur et l'extérieur de l'appareil avec de l'eau et un détergent doux avant d'y mettre des aliments.
- ▶ Une fois l'appareil à plat et nettoyé, attendez au moins 2 à 5 heures avant de le brancher à l'alimentation électrique. Voir la section INSTALLATION.
- ▶ Pré-réfrigérez les compartiments à des réglages élevés avant de les remplir d'aliments. La fonction Power-Freeze permet de refroidir rapidement les compartiments.
- ▶ La température du réfrigérateur, celle de la Switch Zone et celle du congélateur sont réglées automatiquement sur 5 °C, -18 °C et -18 °C respectivement. Ce sont les paramètres recommandés. Si vous le souhaitez, vous pouvez modifier ces températures manuellement. Voir RÉGLAGE DE LA TEMPÉRATURE.

Touches tactiles

Les touches du panneau de commande sont des touches tactiles qui réagissent dès que le doigt les touche légèrement.

Allumez/éteignez l'appareil

L'appareil fonctionne dès qu'il est branché sur l'alimentation électrique.

Lors de la première mise sous tension du réfrigérateur, l'indicateur « D » (affichage de la température) s'allume. Les températures du réfrigérateur, de la Switch Zone et du congélateur sont automatiquement réglées sur 5 °C, -18 °C et -18 °C respectivement.

Le verrouillage du panneau est peut-être actif.



Remarque

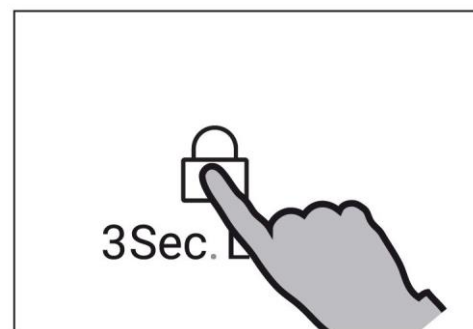
L'appareil est réglé à la température recommandée de 5 °C (réfrigérateur), -18°C (Switch Zone) et -18 °C (congélateur). Dans des conditions ambiantes normales, vous n'avez pas besoin de régler la température.

Lorsque l'appareil est allumé après avoir été débranché de l'alimentation secteur, il peut falloir jusqu'à 12 heures pour que les températures correctes soient atteintes.

Videz l'appareil avant de l'éteindre. Pour éteindre l'appareil, tirez le cordon d'alimentation pour le sortir de la prise d'alimentation.

Verrouillage/Déverrouillage du panneau

L'écran d'affichage s'éteint automatiquement 30 secondes après avoir appuyé sur une touche. L'affichage sera automatiquement verrouillé. Il s'allume automatiquement lorsque vous appuyez sur une touche ou ouvrez une porte.



Remarque

La température du réfrigérateur, la température de la Switch Zone, la température du congélateur, la fonction Super Cool, la fonction Super Freeze, le mode Holiday et la fonction Wi-Fi ne peuvent pas être réglés en mode verrouillage.

Mode veille

L'écran s'éteint automatiquement 30 secondes après que vous ayez appuyé sur une touche. L'écran est automatiquement verrouillé. Il s'allume automatiquement lorsque vous touchez n'importe quelle touche ou lorsque vous ouvrez la porte. (L'alarme n'allume pas l'écran d'affichage).

Mode de réglage manuel

Si vous souhaitez régler manuellement la température de l'appareil, vous pouvez régler la température à l'aide d'une touche de réglage de la température (reportez-vous à la rubrique RÉGLER LA TEMPÉRATURE)

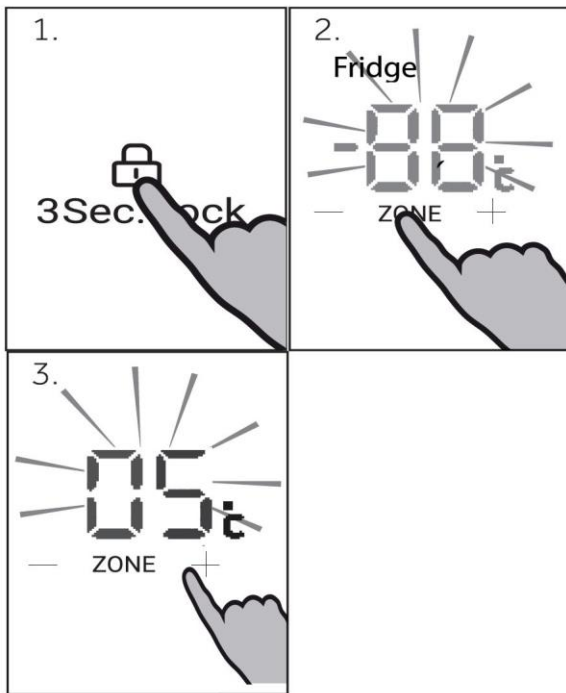
Régler la température

Les températures intérieures sont influencées par les facteurs suivants :

- ▶ Température ambiante
- ▶ Fréquence d'ouverture de la porte
- ▶ Quantité d'aliments stockés
- ▶ Installation de l'appareil

Alarme de porte

L'alarme de porte se déclenche lorsque la porte est ouverte pendant longtemps ou si elle n'est pas fermée correctement, en tant que rappel.



Réglage de la température du réfrigérateur

Déverrouillez les paramètres en appuyant longuement sur la touche « Q » pendant 3 secondes.

Dans l'état de déverrouillage, appuyez sur la touche « K » (Sélection de compartiment) pour basculer entre les compartiments. Lorsque l'indicateur « A » (indicateur du compartiment réfrigérateur) s'allume, appuyez sur la touche « J » (Contrôle de la température « - ») ou la touche « L » (Contrôle de la température « + ») pour régler la température du compartiment réfrigérateur. La valeur affichée sur l'indicateur « D » diminue de 1 °C à chaque fois que la touche « J » est enfoncée.

L'écran clignote et s'arrête sur la température définie, puis s'éteint au bout de quelques secondes. Par conséquent, la valeur affichée sur l'indicateur « D » augmente de 1 °C à chaque fois que la touche « L » est enfoncée. L'écran clignote et s'arrête sur la température définie, puis s'éteint au bout de quelques secondes. La température du compartiment réfrigérateur peut être réglée de 1 °C à 9 °C, par paliers de 1°C.



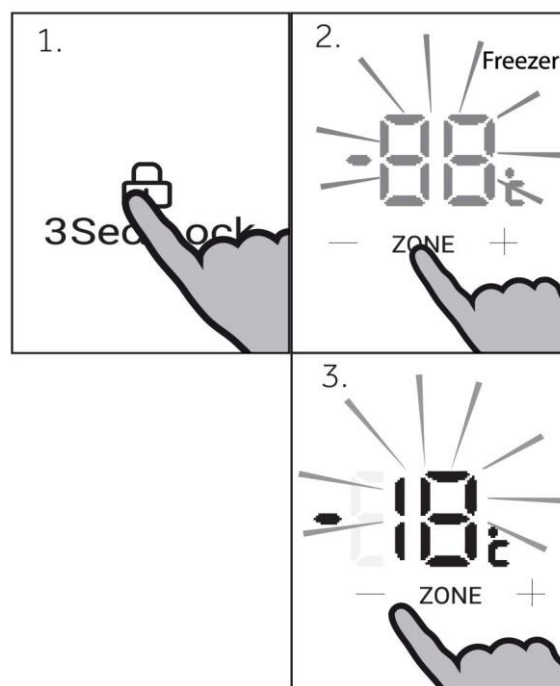
Remarque

La température du réfrigérateur ne peut pas être réglée dans l'état Super Cool, Holiday et verrouillage.

Réglage de la température du congélateur

Déverrouillez les paramètres en appuyant longuement sur la touche « Q » pendant 3 secondes.

Dans l'état de déverrouillage, appuyez sur la touche « K » (Sélection de compartiment) pour basculer entre les compartiments. Lorsque l'indicateur « C » (indicateur du compartiment congélateur) s'allume, appuyez sur la touche « J » (Contrôle de la température « - ») ou la touche « L » (Contrôle de la température « + ») pour régler la température du compartiment congélateur. La valeur affichée sur l'indicateur « D » diminue de 1 °C à chaque fois que la touche « J » est enfoncée. L'écran clignote et s'arrête sur la température définie, puis s'éteint au bout de quelques secondes. Par conséquent, la valeur affichée sur l'indicateur « D » augmente de 1 °C à chaque fois que la touche « L » est enfoncée. L'écran clignote et s'arrête sur la température définie, puis s'éteint au bout de quelques secondes. La température du compartiment congélateur peut être réglée de -14 °C à -24 °C, par paliers de 1°C.



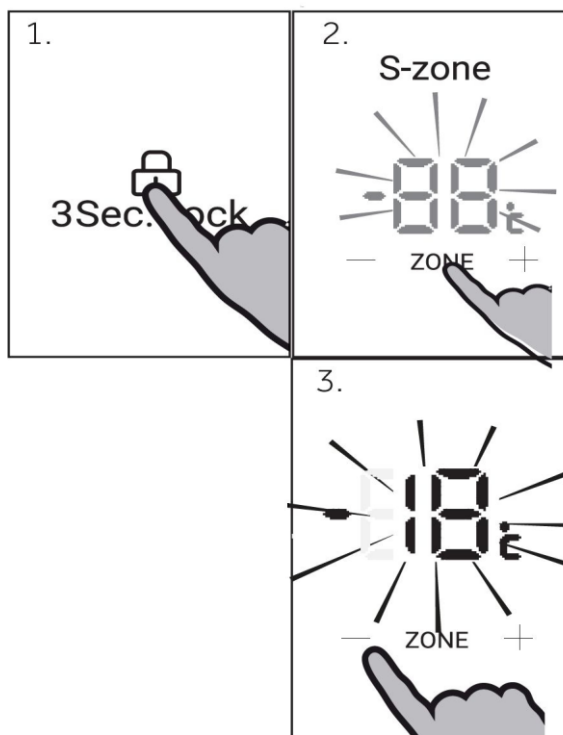
Remarque

La température du congélateur ne peut pas être réglée dans l'état Super Freeze, Holiday et verrouillage.

Ajuster la température de la Switch Zone

Déverrouillez les paramètres en appuyant longuement sur la touche « Q » pendant 3 secondes.

Dans l'état de déverrouillage, appuyez sur la touche « K » (Sélection de compartiment) pour basculer entre les compartiments. Lorsque l'indicateur « B » (indicateur de la Switch Zone) s'allume, appuyez sur la touche « J » (Contrôle de la température « - ») ou la touche « L » (Contrôle de la température « + ») pour régler la température du compartiment de la Switch Zone. La valeur affichée sur l'indicateur « D » diminue de 1 °C à chaque fois que la touche « J » est enfoncée. L'écran clignote et s'arrête sur la température définie, puis s'éteint au bout de quelques secondes. Par conséquent, la valeur affichée sur l'indicateur « D » augmente de 1 °C à chaque fois que la touche « L » est enfoncée. L'écran clignote et s'arrête sur la température définie, puis s'éteint au bout de quelques secondes. La température du compartiment Switch Zone peut être réglée de -5 °C à -18 °C, par paliers de 1°C.



Remarque

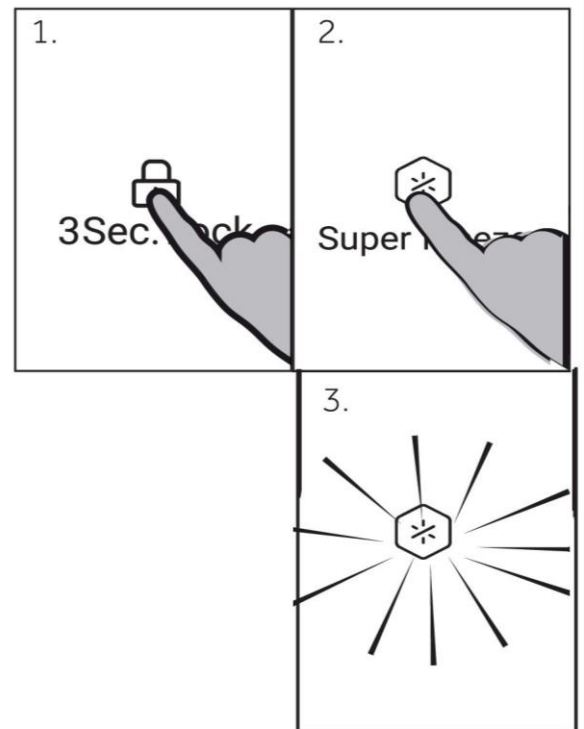
La température de la Switch Zone ne peut pas être réglée en état de verrouillage.

Fonction Super Freeze

La fonction Super Freeze peut congeler les aliments frais aussi vite que possible à cœur en accélérant la congélation afin de préserver toute la valeur nutritive, l'apparence et le goût des aliments. Si vous avez besoin de congeler une grande quantité d'aliments en une fois, il est recommandé de régler la fonction Super Freeze à l'avance pendant 24 heures avant d'utiliser le compartiment congélateur.

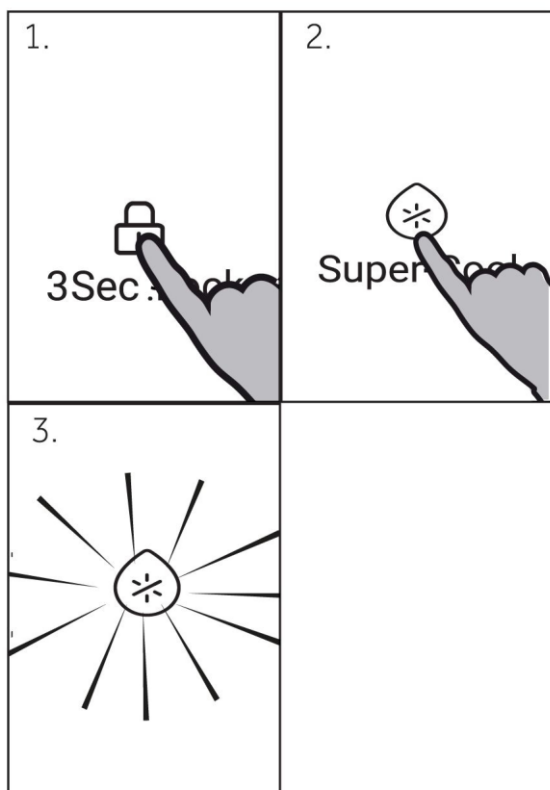
Déverrouillez les paramètres en appuyant longuement sur la touche « Q » pendant 3 secondes.

Dans l'état de déverrouillage, appuyez sur la touche « N » (sélecteur de fonction Super Freeze), l'indicateur « F » (indicateur de fonction Super Freeze) s'allume, le produit passe en mode Super Freeze. Le produit sort automatiquement du mode Super Freeze après 50 heures d'activation. Pour quitter manuellement le mode Super Freeze, appuyez sur la touche « N » (sélecteur de fonction Super Freeze) dans l'état déverrouillée, l'indicateur « F » (indicateur de fonction Super Freeze) s'allume, le produit quitte le mode Super Freeze.



Remarque

Dans le mode Super Freeze, la touche « J » (Contrôle de la température « - ») et la touche « L » (Contrôle de la température « + ») sont verrouillées lorsque le compartiment congélateur est sélectionné et la température du compartiment congélateur ne peut pas être réglée.



Fonction Super Cool

Après avoir placé des aliments dans le compartiment réfrigérateur, si vous souhaitez le refroidir rapidement, vous pouvez activer la fonction Super Cool.

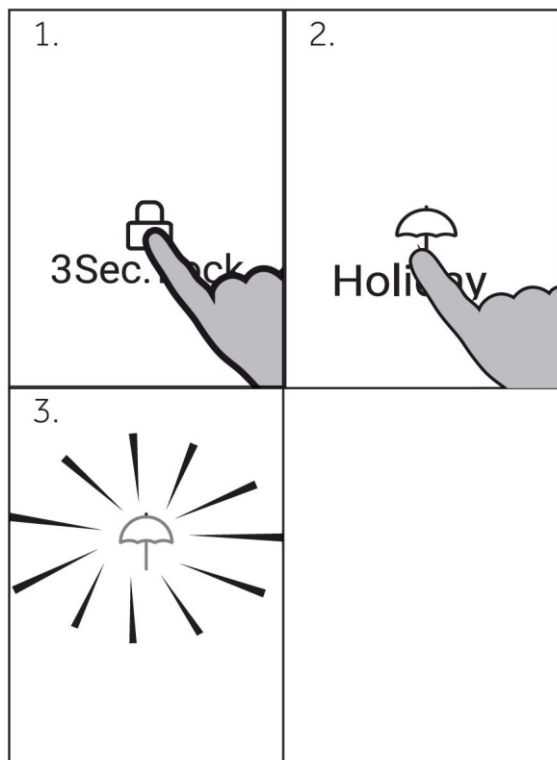
Déverrouillez les paramètres en appuyant longuement sur la touche « Q » pendant 3 secondes.

Dans l'état de déverrouillage, appuyez sur la touche « M » (sélecteur de fonction Super Cool), l'indicateur « E » (indicateur de fonction Super Cool) s'allume, le produit passe en mode Super Cool. Le produit sort automatiquement du mode Super Cool après 6 heures d'activation. Pour quitter le mode Super Cool manuellement, appuyez sur la touche « M » (sélecteur de fonction Super Cool) en état déverrouillé, l'indicateur « E » (indicateur de fonction Super Cool) s'éteint, le produit quitte le mode Super Cool.



Remarque

La fonction Super Cool se désactive automatiquement lorsque le mode Holiday est sélectionné. Dans le mode Super Cool, la touche « T » (Contrôle de la température « - ») et la touche « L » (Contrôle de la température « + ») sont verrouillées lorsque le compartiment réfrigérateur est sélectionné et la température du compartiment réfrigérateur ne peut pas être réglée.



Mode Holiday

Dans le mode Holiday, le compartiment réfrigérateur passe automatiquement à 17 °C (pour économiser de l'énergie), tandis que la Switch Zone et le compartiment congélateur fonctionnent à des réglages de température normaux.

Déverrouillez les paramètres en appuyant longuement sur la touche « Q » pendant 3 secondes.

Dans l'état de déverrouillage, appuyez sur la touche « O » (sélecteur de mode Holiday), l'indicateur « G » (indicateur de mode Holiday) s'allume, le produit passe en mode Holiday ; pour quitter le mode, appuyez sur la touche « O » (sélecteur de mode Holiday), l'indicateur « G » s'éteint et le produit quitte le mode Holiday.



Remarque


Le mode Holiday se désactive automatiquement lorsque la fonction Super Cool est activée.

Dans le mode Holiday, la touche « J » (Contrôle de la température « - ») et la touche « L » (Contrôle de la température « + ») sont verrouillées lorsque le compartiment réfrigérateur est sélectionné et la température du compartiment réfrigérateur ne peut pas être réglée.

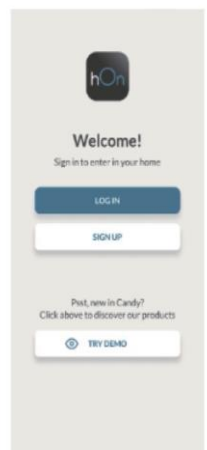
Réglage du mode Wi-Fi

PROCÉDURE D'APPAIRAGE DANS L'APPLICATION


Étape 1 • Téléchargez l'application hOn dans les stores



Étape 2 Créez votre compte sur l'application hOn ou connectez-vous si vous possédez déjà un compte



Étape 3 Suivez les instructions d'appairage dans l'application hOn



Fonction Wi-Fi

Si le Wi-Fi n'a pas encore été configuré, lorsque le réfrigérateur s'allume pour la première fois, il passe automatiquement en mode configuration et garde ce statut pendant 30 minutes.

L'icône Wi-Fi « H » clignote rapidement et l'enregistrement du produit peut démarrer.

1. Suivez les instructions de l'application pour configurer le Wi-Fi.
2. Une fois le Wi-Fi configuré et la connexion établie, l'icône Wi-Fi « H » est allumée et fixe.
3. Au bout de 30 minutes sans effectuer aucune opération, le Wi-Fi quittera automatiquement le mode configuration.
4. Si le Wi-Fi a déjà été configuré, il se reconnecte automatiquement en fonction des informations de configuration lorsqu'il est à nouveau activé.



Remarque

1. Ce produit n'est pas destiné à un usage commercial.
2. Fréquence de travail de l'émetteur : 2 400 MHz ~ 2 483,5 MHz
3. Puissance de sortie maximale de l'émetteur : 20 dBm



Remarque

1. Pour désactiver le Wi-Fi, appuyez sur la touche Wi-Fi « P », l'icône Wi-Fi « H » s'éteint.
2. Pour activer le Wi-Fi et démarrer la configuration, appuyez sur la touche Wi-Fi « P », l'icône Wi-Fi « H » commence à clignoter lentement. Si vous souhaitez désactiver la fonction Wi-Fi, appuyez une fois sur la touche « P ». Si vous souhaitez configurer la fonction Wi-Fi, appuyez sur la touche « P » pendant 3 secondes et moins de 20 secondes. Un signal sonore est émis, l'icône Wi-Fi clignote rapidement et la fonction passe en mode de configuration. Les étapes ci-dessus sont répétées.
3. si le produit a été configuré et que la fonction Wi-Fi a été désactivée, le réfrigérateur n'entrera pas en mode de configuration une fois qu'il est reconnecté à l'alimentation.
4. Une fois le Wi-Fi configuré et la connexion établie, l'icône Wi-Fi « H » est allumée et fixe.

Alarme de porte

L'alarme de porte se déclenche lorsque la porte est ouverte pendant longtemps ou si elle n'est pas fermée correctement, en tant que rappel.

PORTE DU RÉFRIGÉRATEUR À GAUCHE

PORTE DU RÉFRIGÉRATEUR À DROITE

PORTE DU CONGÉLATEUR

PORTE DE LA SWITCH ZONE

Distributeur d'eau

Avec le distributeur d'eau, l'eau potable fraîche est à portée de main.

Le réservoir d'eau doit être nettoyé avant la première utilisation (voir ENTRETIEN ET NETTOYAGE).

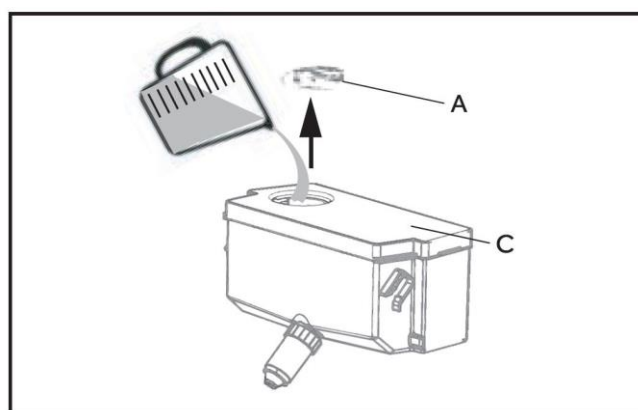
Remplissage du réservoir d'eau



AVERTISSEMENT !

remplissez d'eau potable uniquement.

1. Assurez-vous que le réservoir d'eau est correctement inséré (voir MATÉRIEL)
2. Tournez et soulevez le couvercle rond (A) et remplissez le réservoir d'eau avec de l'eau potable.
3. Remplissez d'eau jusqu'au repère (2.51) afin d'éviter tout débordement lorsque vous ouvrez et fermez la porte.
4. Fermez le couvercle rond (A) jusqu'à ce que vous entendiez un clic.

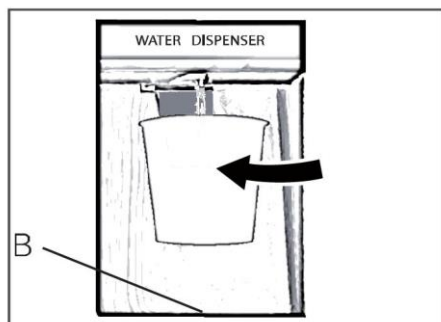


i Remarque : distributeur d'eau

Avant le remplissage, jetez l'eau résiduelle et nettoyez le réservoir.

Lorsque vous n'avez pas besoin d'eau pendant longtemps, veuillez vider le réservoir d'eau et insérer le réservoir nettoyé.

Le couvercle (C) du réservoir d'eau est également utilisé pour économiser de l'énergie. Si vous ne voulez pas utiliser le distributeur d'eau pendant une longue période, veuillez toujours installer le couvercle pour une meilleure isolation et pour économiser de l'énergie.



Obtenir de l'eau du distributeur

1. Placez un verre sous la sortie d'eau.
2. Poussez-le doucement contre le levier du distributeur d'eau. Assurez-vous que le verre est aligné avec le distributeur pour éviter que de l'eau ne s'échappe.
3. L'eau dans le bac (B) doit être retirée régulièrement, car elle pourrait déborder lorsque la porte s'ouvre et se ferme.

Conseils pour conserver des aliments frais

Conservation dans le compartiment réfrigérateur

- ▶ Conservez la température de votre réfrigérateur en dessous de 5 °C.
- ▶ Les aliments chauds doivent avoir refroidi à température ambiante avant d'être placés dans l'appareil.
- ▶ Les aliments conservés au réfrigérateur doivent être lavés et essuyés avant de les conserver
- ▶ Les aliments à conserver doivent être correctement emballés hermétiquement pour éviter les altérations d'odeurs ou de goût.
- ▶ Ne conservez pas des quantités excessives d'aliments. Laissez de la place entre les aliments pour permettre à l'air froid de circuler autour d'eux, pour un refroidissement meilleur et plus homogène.
- ▶ Les aliments consommés quotidiennement doivent être conservés à l'avant de la clayette.
- ▶ Laissez un espace entre les aliments et les parois intérieures, pour permettre la circulation de l'air. En particulier, ne placez pas des aliments contre la paroi arrière : les aliments peuvent geler contre la paroi arrière. Évitez tout contact direct des aliments (en particulier les aliments gras ou acides) avec le revêtement intérieur, car l'huile/l'acide peut éroder le revêtement intérieur. Nettoyez les saletés grasses/acides chaque fois que vous en découvrez.
- ▶ Décongelez les aliments surgelés dans le compartiment de rangement du réfrigérateur. De cette façon, vous pouvez utiliser les aliments surgelés pour diminuer la température du compartiment et économiser de l'énergie.
- ▶ Le vieillissement des fruits et légumes comme les courgettes, les melons, la papaye, la banane, l'ananas, etc. peut être accéléré au réfrigérateur. Par conséquent, il est déconseillé de les conserver au réfrigérateur. Cependant, la maturation des fruits très verts peut être favorisée pendant une certaine période. Les oignons, l'ail, le gingembre et les autres légumes-racines doivent également être conservés à température ambiante.
- ▶ Les odeurs désagréables à l'intérieur du réfrigérateur sont un signe que quelque chose a été renversé et qu'il faut nettoyer. Voir ENTRETIEN ET NETTOYAGE.
- ▶ Différents aliments doivent être placés dans différents endroits en fonction de leurs propriétés :



Remarque

Maintenez une distance de plus de 10 mm entre les aliments rangés et le conduit d'air ou les capteurs afin d'assurer l'effet de refroidissement.



- 1 Beurre, fromage, etc.
- 2 Œufs, cannettes, aliments en conserve, épices, etc.
- 3 Boissons et aliments en bouteille.
- 4 Aliments marinés, aliments en conserve, etc.
- 5 Produits à base de viande, snacks, pâtes, aliments en conserve, lait, tofu, produits laitiers, etc.
- 6 Viande cuite, saucisses, etc.
- 7 Tiroir Humidity zone : fruits, légumes, salade, etc.
- 8 Tiroir Humidity zone : fruits, légumes, salade, etc.

Stockage dans le compartiment Switch Zone

Le compartiment de la Switch Zone vous permet d'ajuster la température entre -18 °C et 5 °C en fonction des exigences de stockage des aliments et d'avoir une plus grande flexibilité dans les options de stockage pour votre confort.

-18 °C	Pour les aliments surgelés standard qui nécessitent une conservation entre 1 et 12 mois.	Viande, volaille, fruits de mer, aliments précuits et restes, certains fruits et légumes, crème glacée et autres desserts surgelés.
-7 °C	Permet un portionnement facile des aliments et de chauffer, cuire ou servir les aliments directement depuis le compartiment sans attendre qu'ils décongèlent.	Viandes, fruits de mer, soupes, sauces, aliments purées, pain, desserts et pâtisseries. Remarque : recommandé pour conserver des desserts crémeux comme la crème glacée.
0 °C	Une zone de conservation parfaite pour les aliments hautement périssables afin de conserver leur fraîcheur et leur qualité.	Viandes, volailles et fruits de mer hautement périssables. Boissons alcoolisées comme la bière.
5 °C	Le mode idéal pour les aliments frais tels que les fruits et légumes, les produits laitiers, les viandes et les boissons.	Fruits et légumes, produits laitiers, confitures et chutneys, viandes et boissons.

Conservation dans le compartiment congélateur

- ▶ Maintenez la température du congélateur à -18 °C.
- ▶ 24 heures avant de congeler, la fonction Super-freeze ; pour de petites quantités d'aliments de 4 à 6 heures suffisent.
- ▶ Les aliments chauds doivent avoir refroidi à température ambiante avant d'être placés dans le compartiment congélateur.
- ▶ Les aliments coupés en petites portions congèleront plus rapidement et seront plus faciles à décongeler et à cuire. Le poids recommandé pour chaque portion est inférieur à 2,5 kg
- ▶ Il vaut mieux emballer les aliments avant de les mettre dans le congélateur. L'extérieur de l'emballage doit être sec pour éviter que les sacs ne collent les uns aux autres. Les matériaux d'emballage doivent être exempts d'odeurs, étanches à l'air et non toxiques.
- ▶ Afin d'éviter l'expiration des périodes de conservation, veuillez noter la date de congélation, la limite de temps et le nom des aliments présents sur l'emballage en fonction des périodes de conservation des différents aliments.
- ▶ **AVERTISSEMENT** : les acides, les alcalis et le sel, etc., pourraient éroder la surface interne du congélateur. Ne placez pas les aliments contenant ces substances (par ex. poissons de mer) directement sur la surface interne. L'eau salée dans le congélateur doit être nettoyée immédiatement.
- ▶ Ne dépassez pas les temps de conservation des aliments recommandés par les fabricants. Ne sortez que la quantité requise d'aliments du congélateur.
- ▶ Consommez rapidement les aliments décongelés. Les aliments décongelés ne peuvent pas être recongelés à moins qu'ils ne soient d'abord cuits, sinon ils risquent d'être moins comestibles.
- ▶ Ne pas mettre de quantités excessives d'aliments frais dans le compartiment congélateur. Reportez-vous à la capacité de congélation du congélateur - Voir les DONNÉES TECHNIQUES ou les données sur la plaque signalétique.
- ▶ Les aliments peuvent être conservés au congélateur à une température d'au moins -18 °C pendant 2 à 12 mois, en fonction de leurs propriétés (par ex. viande : 3-12 mois, légumes : 6-12 mois)
- ▶ Lorsque vous congelez des aliments frais, évitez de les mettre en contact avec des aliments déjà congelés. Risque de décongélation !

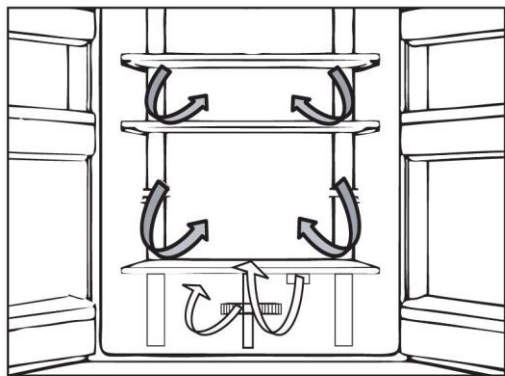
Lorsque vous conservez des aliments surgelés achetés dans le commerce, veuillez suivre ces directives :

- ▶ Suivez toujours les directives du fabricant pour la durée de conservation des aliments. Ne dépassez pas ces directives !
- ▶ Essayez de garder le temps entre l'achat et le stockage le plus court possible pour préserver la qualité des aliments.
- ▶ Achetez des aliments surgelés, qui ont été conservés à une température de -18 °C ou moins.
- ▶ Évitez d'acheter des aliments qui ont de la glace ou du givre sur l'emballage - cela indique que les produits ont pu être partiellement décongelés et recongelés à un certain moment - les hausses de température affectent la qualité des aliments.



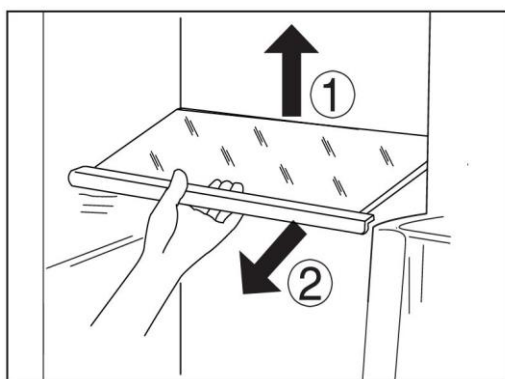
Remarque

- ▶ Maintenez une distance de plus de 10 mm entre les aliments rangés et le conduit d'air afin d'assurer l'effet de refroidissement.



Flux multi-air

Le réfrigérateur est équipé d'un système à flux multi-air, avec lequel des flux d'air froids se trouvent au niveau de chaque clayette. Cela permet de maintenir une température uniforme afin de garantir que vos aliments conservent leur fraîcheur pendant plus longtemps.



Clayettes réglables

La hauteur des clayettes peut être réglée en fonction de vos besoins de rangement.

1. Pour déplacer une clayette, retirez-la d'abord en levant son bord arrière (1) et en la tirant (2).
2. Pour la remettre, placez-la sur les ergots des deux côtés et poussez-la dans la position la plus reculée jusqu'à ce que l'arrière de la clayette soit fixé à l'intérieur des fentes sur les côtés.



Remarque :

Assurez-vous que toutes les extrémités d'une clayette sont au même niveau.

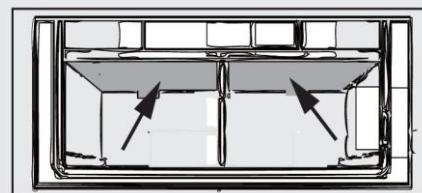
Tiroir Humidity zone

Dans ce compartiment, le taux d'humidité est d'environ 85 %. Il est contrôlé automatiquement par le système et convient au stockage des fruits, des légumes, des salades, etc.



Remarque :

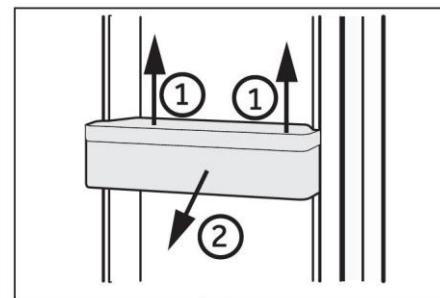
- ▶ Ne retirez pas les couvercles en plastique à l'intérieur des deux zones. Ils maintiennent l'humidité.
- ▶ Les fruits sensibles au froid comme l'ananas, l'avocat, les bananes, les pamplemousses et les légumes tels que les pommes de terre, les aubergines, les haricots, les concombres, les courgettes, les tomates et le fromage ne doivent pas être conservés dans ces deux tiroirs.



Balconnets de porte amovibles

Les balconnets de porte peuvent être retirés pour le nettoyage : Placez les mains de chaque côté du balconnet, soulevez-le (1) et tirez-le (2).

Pour insérer le balconnet de porte, vous devez suivre les étapes ci-dessus dans l'ordre inverse.

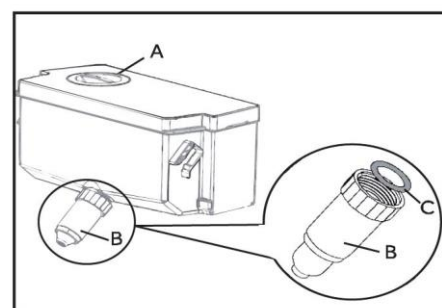


Réservoir d'eau amovible

Le réservoir d'eau peut être retiré et réinstallé pour être nettoyé, de la même manière que les balconnets de porte.

Insertion du réservoir d'eau

Placez le réservoir d'eau dans la position permettant à la sortie d'eau (B) de s'adapter à l'ouverture de la porte. Assurez-vous que le réservoir d'eau est verrouillé.



Remarque : réservoir d'eau

Assurez-vous que le bec verseur est fermement vissé sur le réservoir d'eau et que le joint torique blanc (C) est en position.

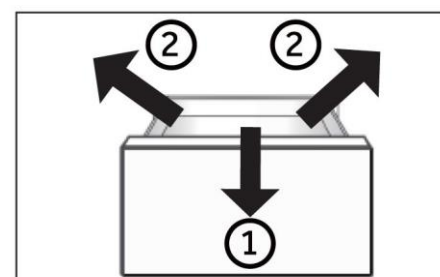
Si le réservoir d'eau n'est pas correctement inséré, l'eau peut s'égoutter au niveau du raccordement.

Ne forcez pas trop lors du retrait ou de l'installation du réservoir d'eau, pour éviter d'endommager le réservoir.

Tiroir amovible du congélateur

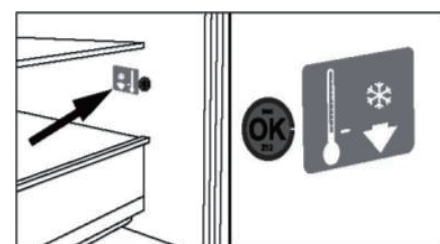
Pour retirer le tiroir, sortez-le au maximum (1), soulevez-le et retirez-le (2).

Pour introduire le tiroir, vous devez effectuer les étapes ci-dessus dans l'ordre inverse.



OPTIONNEL : indicateur de température OK

L'indicateur de température OK peut être utilisé pour déterminer des températures inférieures à +4°C. Réduisez progressivement la température si le signe n'indique pas "OK".



Lumière

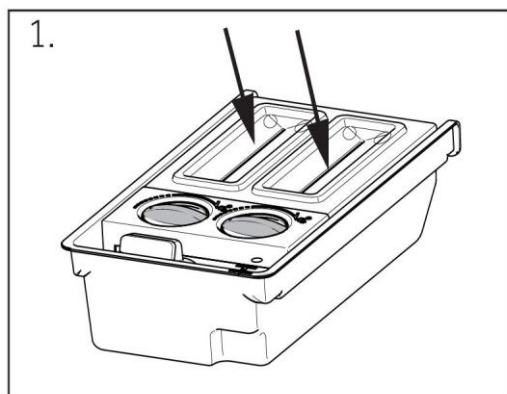
La lumière intérieure LED s'allume lorsque la porte est ouverte et elle s'éteint automatiquement si la porte reste ouverte pendant plus de 7 minutes. Le fonctionnement des lampes n'est affecté par aucun des autres réglages de l'appareil.



Conseils d'économie d'énergie

- ▶ Assurez-vous que l'appareil est bien ventilé (voir INSTALLATION).
- ▶ N'installez pas l'appareil en plein soleil ou à proximité de sources de chaleur (par ex. cuisinières, chauffages).
- ▶ Évitez une température inutilement basse dans l'appareil. Plus vous réglez bas la température de l'appareil, plus la consommation d'énergie augmente.
- ▶ Des fonctions comme Super-Freeze consomment plus d'énergie.
- ▶ Laissez les aliments chauds refroidir avant de les mettre dans l'appareil.
- ▶ Ouvrez la porte de l'appareil le moins souvent et le plus rapidement possible.
- ▶ Ne remplissez pas trop l'appareil pour éviter de bloquer la circulation de l'air.
- ▶ Évitez l'air dans l'emballage des aliments.
- ▶ Gardez les joints de la porte propres afin que la porte se ferme toujours correctement.
- ▶ Décongelez les aliments surgelés dans le compartiment de rangement du réfrigérateur.
- ▶ La configuration la plus économe en énergie exige que l'appareil conserve les tiroirs, la boîte de rangement et les clayettes en parfait état, et les aliments doivent être placés le plus loin possible des orifices de sortie de la conduite d'air.

Machine à glaçons

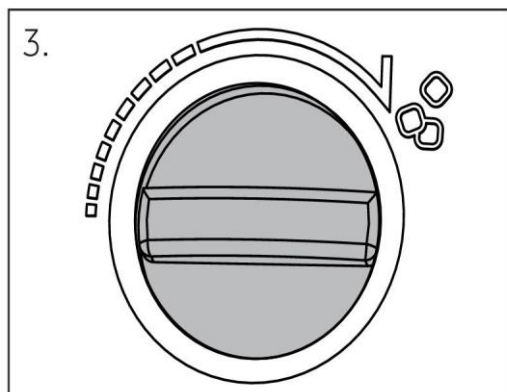


1. Versez de l'eau potable fraîche dans chaque bac de la machine à glaçons jusqu'au repère à l'intérieur, sans le dépasser



Remarque :

Ne mouillez pas l'espace entre les 2 boutons, sous peine de les geler et d'empêcher les glaçons de tomber dans le bac de conservation.



2. Placez le bac dans le compartiment de congélation.
3. Une fois que l'eau se transforme en glace, retirez la machine à glaçons de l'appareil et tournez le bouton à la main. Les blocs de glace tomberont automatiquement dans le bac à glaçons. Retirez le couvercle et récupérez les glaçons.



AVERTISSEMENT !

Débranchez l'appareil de l'alimentation électrique avant de le nettoyer.

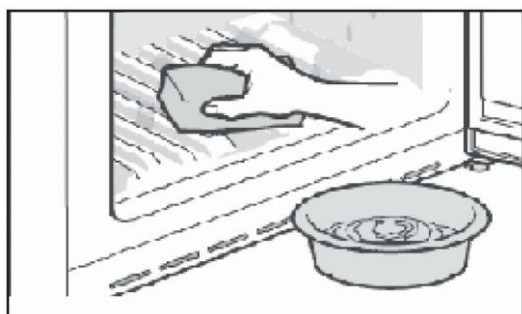
Nettoyage

Nettoyez l'appareil lorsqu'il n'y a qu'un peu de nourriture ou qu'il n'y a pas de nourriture à l'intérieur. L'appareil doit être nettoyé toutes les quatre semaines pour un bon entretien et pour éviter les mauvaises odeurs des aliments conservés à l'intérieur.



AVERTISSEMENT !

- ▶ Ne nettoyez pas l'appareil à l'aide de brosses dures, de brosses métalliques, de détergents en poudre, d'essence, d'acétate d'amyle, d'acétone et de solutions organiques similaires, d'acides ou de solutions alcalines. Nettoyez-le avec un détergent spécial pour réfrigérateur afin d'éviter de l'endommager.
- ▶ Ne pulvérisez pas et ne rincez pas l'appareil pendant le nettoyage.
- ▶ N'utilisez pas de jet d'eau ou de vapeur pour nettoyer l'appareil.
- ▶ Ne nettoyez pas les clayettes froides en verre à l'eau chaude. Un changement soudain de température peut casser le verre.
- ▶ Ne touchez pas la surface intérieure du compartiment de l'appareil, en particulier avec les mains mouillées, car vos mains peuvent geler sur la surface.
- ▶ En cas de réchauffement, vérifiez l'état des produits surgelés.

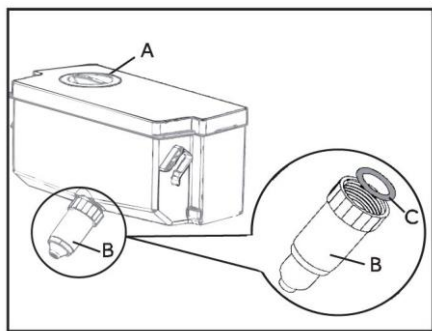


- ▶ Gardez toujours le joint de la porte propre.
 - ▶ Nettoyez l'intérieur et le bâti de l'appareil à l'aide d'une éponge imbibée d'eau tiède et de détergent neutre.
1. Veuillez frotter l'intérieur et l'extérieur du réfrigérateur, y compris le joint de porte, le porte-bouteille, les clayettes en verre, les boîtes, etc., avec un torchon doux ou une éponge imbibée d'eau chaude (vous pouvez ajouter un détergent neutre dans l'eau chaude).
 2. S'il y a du liquide renversé, retirez toutes les parties contaminées, rincez-les directement sous l'eau du robinet, séchez-les et remettez-les dans le réfrigérateur.
 3. S'il y a de la crème (par exemple de la crème, de la crème glacée qui fond), retirez toutes les parties contaminées, placez-les dans de l'eau chaude à 40 °C pendant un certain temps, puis rincez-les à l'eau courante, séchez-les et remettez-les dans le réfrigérateur.
 4. Si une petite pièce ou un élément reste coincé à l'intérieur du réfrigérateur (entre les clayettes ou les tiroirs), utilisez une petite brosse souple pour l'éliminer. Si vous ne pouvez pas atteindre la pièce, veuillez contacter le service clientèle Haier
- ▶ Rincez et séchez avec un chiffon doux.
 - ▶ Ne nettoyez aucune des parties de l'appareil au lave-vaisselle.
 - ▶ Attendez au moins 5 minutes avant de redémarrer l'appareil, car le démarrage fréquent risque d'endommager le compresseur.

Dégivrage

Le dégivrage des compartiments réfrigérateur et congélateur se fait automatiquement ; aucune opération manuelle n'est nécessaire.

Nettoyage du réservoir d'eau



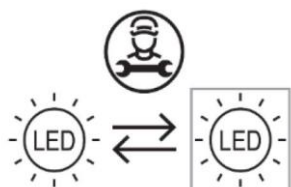
1. Retirez le réservoir d'eau de l'appareil.
2. Retirez le couvercle (A).
3. Dévissez le bec du distributeur (B).
4. Nettoyez le réservoir et le bec du distributeur avec de l'eau chaude et du liquide vaisselle. Assurez-vous que tout le détergent est rincé.
5. Montez le distributeur (B) et vérifiez qu'il est fermement vissé sur le réservoir d'eau et que le joint torique blanc (C) est en position.
6. Fermez le couvercle (A) et remettez le réservoir à l'intérieur de l'appareil.



Remarque : réservoir d'eau

Si le réservoir d'eau n'est pas correctement inséré, l'eau peut s'égoutter au niveau du raccordement. Ne forcez pas trop lors du retrait ou de l'installation du réservoir d'eau, pour éviter de l'endommager.

Remplacement des lampes LED



Source de lumière remplaçable (LED uniquement) par un professionnel

Ce produit contient une source de lumière appartenant à la classe d'efficacité énergétique G

compartiment	Tension	Puissance max.	Classe d'efficacité énergétique	Modèle
Réfrigérateur	CC 12 V	5 W	G	HCW58F18EWMP

Non-utilisation pendant une période plus longue

Si l'appareil n'est pas utilisé pendant une période prolongée et que vous n'utiliserez pas uniquement la fonction Holiday ou la fonction Réfrigérateur éteint pour le réfrigérateur :

- ▶ Sortez les aliments.
- ▶ Débranchez le cordon d'alimentation.
- ▶ Videz et nettoyez le réservoir d'eau.
- ▶ Nettoyez l'appareil selon les instructions ci-dessus.
- ▶ Gardez les portes ouvertes pour éviter la formation de mauvaises odeurs à l'intérieur.



Remarque

N'éteignez l'appareil que si cela est strictement nécessaire.

Déplacement de l'appareil

1. Retirez tous les aliments et débranchez l'appareil.
2. Fixez les clayettes et les autres parties mobiles dans le réfrigérateur et dans le congélateur avec du ruban adhésif.
3. N'inclinez pas le réfrigérateur à plus de 45° pour éviter d'endommager le système de réfrigération.

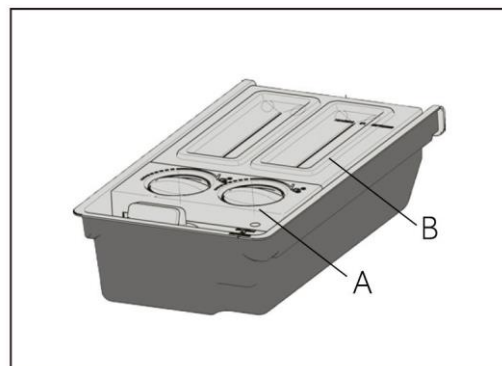


AVERTISSEMENT !

- ▶ Ne soulevez pas l'appareil par ses poignées.
- ▶ Ne placez jamais l'appareil à l'horizontale sur le sol.

Nettoyage du distributeur de glaçons

1. Retirez la machine à glaçons de l'appareil.
2. Retirez le couvercle (A) et (B).
3. Nettoyez la machine à glaçons avec de l'eau tiède et du détergent à vaisselle liquide. Assurez-vous que tout le détergent est rincé.
4. Fermez les couvercles, remplissez d'eau potable et remplacez la machine à glaçons à l'intérieur de l'appareil.



Vous pouvez résoudre de nombreux problèmes vous-même sans expertise spécifique. En cas de problème, veuillez vérifier toutes les possibilités indiquées et suivre les instructions ci-dessous avant de contacter un service après-vente. Reportez-vous au paragraphe SERVICE CLIENTÈLE.



AVERTISSEMENT !

- ▶ Avant l'entretien, désactivez l'appareil et débranchez la fiche secteur de la prise secteur.
- ▶ L'équipement électrique ne doit être entretenu que par des experts électriques qualifiés, car des réparations inappropriées peuvent causer des dommages consécutifs considérables.
- ▶ Une alimentation endommagée ne devrait être remplacée que par le fabricant, son agent de maintenance ou des personnes avec une qualification similaire de manière à éviter tout danger.

Problème	Cause possible	Solution possible
Le compresseur ne fonctionne pas.	<ul style="list-style-type: none"> • La fiche secteur n'est pas branchée dans la prise secteur. • L'appareil est en cours de dégivrage 	<ul style="list-style-type: none"> • Branchez la fiche secteur. • C'est normal pour un dégivrage automatique
L'appareil fonctionne fréquemment ou fonctionne trop longtemps.	<ul style="list-style-type: none"> • La température intérieure ou extérieure est trop élevée. • L'appareil a été hors tension pendant un certain temps. • Une porte de l'appareil n'est pas bien fermée. • La porte a été ouverte trop fréquemment ou trop longtemps. • Le réglage de la température du compartiment congélateur est trop bas. • Le joint de la porte est sale, usé, fissuré ou ne correspond pas. • La circulation de l'air requise n'est pas garantie. 	<ul style="list-style-type: none"> • Dans ce cas, il est normal que l'appareil fonctionne plus longtemps. • Normalement, il faut 8 à 12 heures pour que l'appareil refroidisse complètement. • Fermez la porte/le tiroir et assurez-vous que l'appareil est situé sur un sol à niveau et qu'il n'y a pas d'aliment ou de récipient bloquant la porte. • N'ouvrez pas trop souvent la porte/le tiroir. • Réglez une température plus élevée jusqu'à l'obtention d'une température satisfaisante dans le réfrigérateur. Il faut 24 heures pour que la température du réfrigérateur devienne stable. • Nettoyez le joint de la porte/du tiroir ou faites-le remplacer par le service clientèle. • Assurez une ventilation adéquate.
L'intérieur du réfrigérateur est sale et/ou sent.	<ul style="list-style-type: none"> • L'intérieur du réfrigérateur a besoin de nettoyage. • Des aliments à forte odeur sont conservés au réfrigérateur. 	<ul style="list-style-type: none"> • Nettoyez l'intérieur du réfrigérateur. • Enveloppez soigneusement les aliments.
Il ne fait pas suffisamment froid à l'intérieur de l'appareil.	<ul style="list-style-type: none"> • La température réglée est trop élevée. • Des produits trop chauds ont été stockés. 	<ul style="list-style-type: none"> • Réinitialisez la température. • Laissez toujours refroidir les aliments avant de les mettre à l'intérieur.

Problème	Cause possible	Solution possible
	<ul style="list-style-type: none"> • Trop d'aliments ont été mis à l'intérieur en même temps. • Les aliments sont trop proches les uns des autres. • Une porte/un tiroir de l'appareil n'est pas bien fermé(e). • La porte/le tiroir a été ouvert(e) trop fréquemment ou trop longtemps. 	<ul style="list-style-type: none"> • Conservez toujours de petites quantités d'aliments. • Laissez de la place entre plusieurs aliments pour permettre la circulation de l'air. • Fermez la porte/le tiroir. • N'ouvrez pas trop souvent la porte/le tiroir.
Il fait trop froid à l'intérieur de l'appareil.	<ul style="list-style-type: none"> • La température réglée est trop basse. • La fonction Super-Frz/Super-Cool est activée ou fonctionne trop longtemps. 	<ul style="list-style-type: none"> • Réinitialisez la température. • Éteignez la fonction Super-Frz/Super-Cool.
Formation d'humidité à l'intérieur du compartiment réfrigérateur.	<ul style="list-style-type: none"> • Le climat est trop chaud et trop humide. • Une porte/un tiroir de l'appareil n'est pas bien fermé(e). • La porte/le tiroir a été ouvert(e) trop fréquemment ou trop longtemps. • Les récipients contenant des aliments ou des liquides sont laissés ouverts. 	<ul style="list-style-type: none"> • Augmentez la température. • Fermez la porte/le tiroir. • N'ouvrez pas trop souvent la porte/le tiroir. • Laissez refroidir les aliments chauds à température ambiante et couvrez les aliments et les liquides.
L'humidité s'accumule sur le réfrigérateur à l'extérieur de la surface ou entre les portes/la porte et le tiroir.	<ul style="list-style-type: none"> • Le climat est trop chaud et trop humide. • La porte n'est pas fermée hermétiquement. L'air froid de l'appareil et l'air chaud à l'extérieur de celui-ci se condense. 	<ul style="list-style-type: none"> • C'est normal dans un climat humide et cela va changer lorsque l'humidité diminuera. • Assurez-vous que la porte/le tiroir est bien fermé(e).
Glace dure et givre dans le compartiment congélateur.	<ul style="list-style-type: none"> • Les produits n'ont pas été correctement emballés. • Une porte/un tiroir de l'appareil n'est pas bien fermé(e). • La porte/le tiroir a été ouvert(e) trop fréquemment ou trop longtemps. • Le joint de la porte/du tiroir est sale, usé, fissuré ou ne correspond pas. • Quelque chose à l'intérieur empêche la porte/le tiroir de se fermer correctement. 	<ul style="list-style-type: none"> • Emballez toujours bien les produits. • Fermez la porte/le tiroir. • N'ouvrez pas trop souvent la porte/le tiroir. • Nettoyez le joint de la porte/du tiroir ou remplacez-les par des joints neufs. • Repositionnez les clayettes, les balconnets de porte ou les récipients à l'intérieur pour permettre à la porte/au tiroir de se fermer.
Les côtés de l'appareil et de la bande de la porte se réchauffent.	<ul style="list-style-type: none"> • - 	<ul style="list-style-type: none"> • Cela est normal.
L'appareil émet des sons anormaux.	<ul style="list-style-type: none"> • L'appareil n'est pas situé sur un sol plan. • L'appareil touche un objet situé à proximité. 	<ul style="list-style-type: none"> • Réglez le pied pour mettre l'appareil à niveau. • Retirez les objets autour de l'appareil.

Problème	Cause possible	Solution possible
Un léger son doit être entendu comme celui de l'eau courante.	• -	• Cela est normal.
Un bip d'alarme retentit.	• La porte du compartiment de rangement du réfrigérateur est ouverte.	• Fermez la porte.
Vous entendrez un petit hum.	• Le système anti-condensation fonctionne	• Cela empêche la condensation et est normal
Le système d'éclairage ou de refroidissement à l'intérieur ne fonctionne pas.	<ul style="list-style-type: none"> • La fiche secteur n'est pas branchée dans la prise secteur. • L'alimentation n'est pas intacte. • La lampe LED est hors service. 	<ul style="list-style-type: none"> • Branchez la fiche secteur. • Vérifiez l'alimentation électrique de la pièce. Appelez la société d'électricité locale ! • Veuillez appeler le service technique pour faire changer la lampe.

Pour contacter l'assistance technique, visitez notre site web :

<https://corporate.haier-europe.com/en/>

Dans la rubrique « site web », choisissez la marque de votre produit et votre pays. Vous serez redirigé vers le site web spécifique où vous trouverez le numéro de téléphone et le formulaire pour contacter l'assistance technique.

Coupure de courant

En cas de coupure de courant, les aliments devraient rester froids en toute sécurité pendant 5 heures environ. Suivez ces conseils pendant une coupure de courant prolongée, en particulier en été :

- ▶ Ouvrez la porte/le tiroir le moins possible.
- ▶ Ne mettez pas d'aliments supplémentaires dans l'appareil pendant une coupure de courant.
- ▶ Si un préavis de coupure de courant est donné et que la durée de la coupure est supérieure à 5 heures, préparez des glaçons et placez-les dans un récipient en haut du compartiment réfrigérateur.
- ▶ Une inspection des produits est requise immédiatement après la coupure de courant.
- ▶ Étant donné que la température du réfrigérateur augmentera lors d'une coupure de courant ou d'une autre panne, la durée de conservation et la qualité alimentaire des aliments seront réduites. Tout aliment décongelé doit être consommé ou cuit et recongelé (le cas échéant) peu de temps après afin de prévenir les risques pour la santé.

Fonction mémoire pendant la coupure de courant

Lorsque le courant revient, l'appareil continue à fonctionner avec les réglages réglés avant la panne de courant.

Déballage



AVERTISSEMENT !

- ▶ L'appareil est lourd. Manipulez-le toujours avec au moins deux personnes.
- ▶ Conservez tous les emballages hors de la portée des enfants, puis jetez-les d'une manière respectueuse de l'environnement.
- ▶ Sortez l'appareil de l'emballage.
- ▶ Retirez tous les matériaux d'emballage.

Conditions environnementales

La température ambiante doit toujours être comprise entre 10 °C et 43 °C, car elle peut influencer sur la température à l'intérieur de l'appareil et sa consommation d'énergie. N'installez pas l'appareil à proximité d'autres appareils générant de la chaleur (fours, réfrigérateurs) sans isolation.

Espace requis

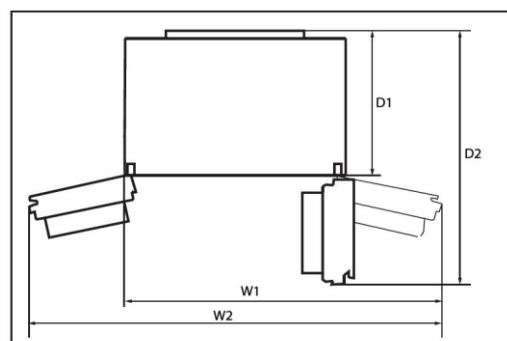
Espace requis lorsque la porte est ouverte :

W1 = 1 076 mm

W2 = 1 360 mm

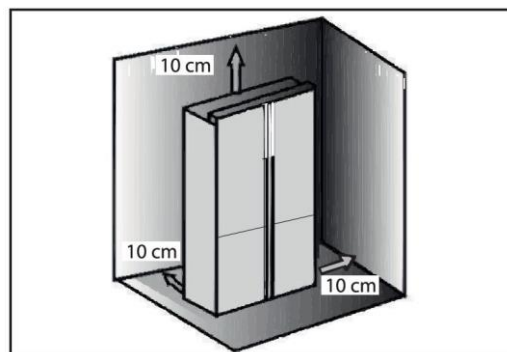
D1 = 628 mm

D2 = 1 064 mm



Coupe transversale de ventilation

Pour obtenir une ventilation suffisante de l'appareil pour des raisons de sécurité, il convient de respecter les informations relatives aux coupes transversales de ventilation requises.

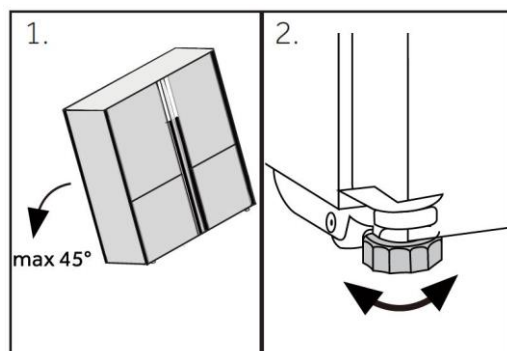


Alignement de l'appareil

L'appareil doit être placé sur une surface plane et solide.

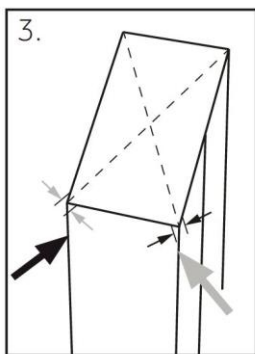
1. Inclinez le réfrigérateur légèrement vers l'arrière.
2. Réglez les pieds au niveau souhaité.

Assurez-vous que la distance entre le mur et le côté de la charnière est d'au moins 10 cm pour que la porte s'ouvre correctement.

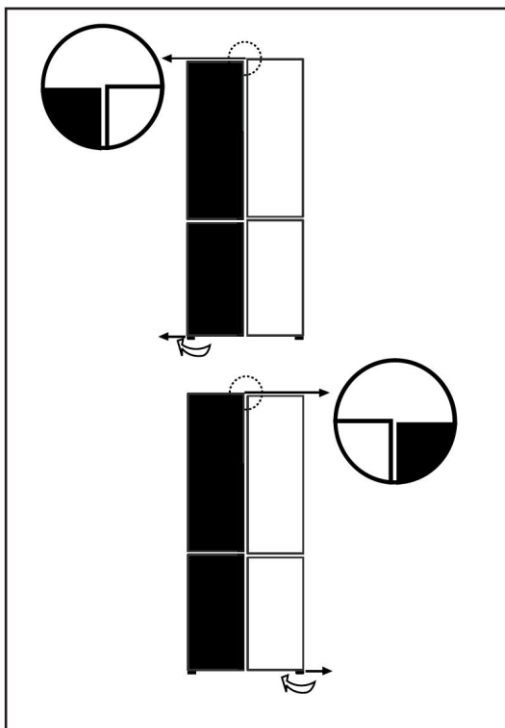


Remarque :

Pour un appareil en pose libre : cet appareil de réfrigération n'est pas destiné à être utilisé comme un appareil encastré



1. La stabilité peut être vérifiée en alternant les diagonales. Le léger flottement doit être le même dans les deux directions. Dans le cas contraire, le cadre peut se déformer ; cela se traduit par des fuites au niveau des joints de la porte. Une faible tendance vers l'arrière facilite la fermeture des portes.



Réglage fin des portes

Si les portes ne se retrouvent pas au même niveau, vous pouvez y remédier de la manière suivante :

En utilisant un pied réglable

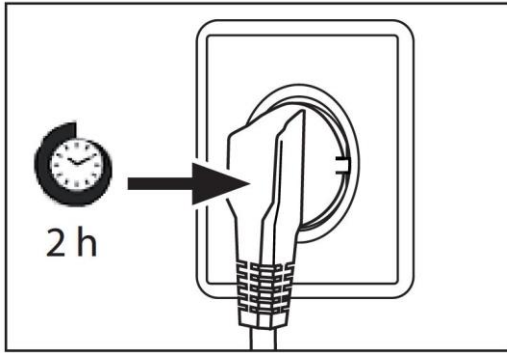
Faites tourner le pied réglable selon le sens de la flèche pour faire tourner le pied vers le haut ou vers le bas.

Contactez le service après-vente si nécessaire.



Remarque :

Dans l'utilisation future du réfrigérateur, les portes peuvent se retrouver désalignées à cause du poids des aliments stockés. Veuillez ensuite les ajuster selon les méthodes ci-dessus.



Temps d'attente

L'huile de lubrification sans entretien se trouve dans la capsule du compresseur. Cette huile peut passer par le système fermé de tuyauterie pendant le transport incliné. Avant de brancher l'appareil sur l'alimentation électrique, attendez au moins 2 heures afin que l'huile revienne dans la capsule.

Branchement électrique

Avant chaque branchement, vérifiez si :

- ▶ l'alimentation, la prise et le fusible sont adaptés à la plaque signalétique.
- ▶ la prise de courant est mise à la terre et sans multiprise ni rallonge.
- ▶ la fiche d'alimentation et la prise sont adaptées l'une à l'autre.


Branchez la fiche sur une prise domestique correctement installée.



AVERTISSEMENT !

Pour éviter tout risque, un câble d'alimentation endommagé doit être remplacé par le service à la clientèle (voir carte de garantie).

Fiche du produit selon la réglementation UE n° 2019/2016

Marque	Haier
Nom du modèle / identifiant	HCW58F18EWMP
Catégorie du modèle	Réfrigérateur-congélateur
Classe d'efficacité énergétique	E
Consommation d'énergie annuelle (kWh/an)(1)	297
Volume total (l)	507
Volume du réfrigérateur (l)	321
Volume du congélateur (l)	87
Volume du compartiment à température variable (l)	99
Nombre d'étoiles	
Température des autres compartiments > 14 °C	Non applicable
Système sans givre	Oui
Capacité de congélation (kg/24h)	6
Classe climatique (2)	SN-N-ST
Classe d'émission de bruit et émissions acoustiques dans l'air (db(A) re 1pW)	C(38)
Temps de montée en température (h)	9
Type d'appareil	Autonome
Autres	-

Explications :

- Oui, fonction présente

(1) Sur la base des résultats de l'essai de conformité aux normes pendant plus de 24 heures. La consommation réelle dépend de l'utilisation et de l'emplacement de l'appareil.

(2) Classe climatique SN : Cet appareil est destiné à être utilisé à une température ambiante comprise entre + 10 °C et +32 °C

Classe climatique N : cet appareil est destiné à être utilisé à une température ambiante comprise entre + 16 °C et +32 °C

Classe climatique ST : cet appareil est destiné à être utilisé à une température ambiante comprise entre + 16 °C et +38 °C

Classe climatique T : cet appareil est destiné à être utilisé à une température ambiante comprise entre + 16 °C et +43 °C

Données techniques supplémentaires

Tension / Fréquence	220-240 V ~/50 Hz
Courant d'entrée (A)	1,5
Fusible principal (A)	16
Réfrigérant	R600a
Dimensions (H/L/P en mm)	1775 / 830 / 705

Nous recommandons notre Service Clientèle Haier et l'utilisation de pièces détachées d'origine. Si vous rencontrez un problème avec votre appareil, veuillez d'abord consulter le paragraphe DÉPANNAGE.

Si vous ne trouvez pas de solution, veuillez contacter

- ▶ votre revendeur local ou
- ▶ notre centre de service d'appel européen (voir les numéros de téléphone ci-dessous) ou
- ▶ l'espace Service & Assistance à l'adresse www.haier.com où vous pouvez activer la demande de service et trouver également les FAQ.

Pour contacter notre Service, assurez-vous que vous disposez des données suivantes. Les informations se trouvent sur la plaque signalétique.

Modèle _____

N° de série _____

Vérifiez également la carte de garantie fournie avec le produit en cas de garantie.

Centre de service d'appel européen		
Pays*	Numéro de téléphone	Coûts
Haier Italy (IT)	199 100 912	
Haier Spain (ES)	902 509 123	
Haier Germany (DE)	0180 5 39 39 99	<ul style="list-style-type: none"> • 14 centimes/min ligne fixe • max 42 centimes/min mobile
Haier Austria (AT)	0820 001 205	<ul style="list-style-type: none"> • 14,53 centimes/min ligne fixe • max 20 centimes/min pour tous les autres
Haier United Kingdom (UK)	0333 003 8122	
Haier France (FR)	0980 406 409	

* Pour d'autres pays, veuillez vous référer à www.haier.com

Haier Europe Trading S.r.l
Filiale Royaume-Uni
Westgate House, Westgate, Ealing
Londres, W5 1YY

*Durée de la garantie de l'appareil de réfrigération :

La garantie minimale est : 2 ans pour les pays de l'UE, 3 ans pour la Turquie, 1 an pour le Royaume-Uni, 1 an pour la Russie, 3 ans pour la Suède, 2 ans pour la Serbie, 5 ans pour la Norvège, 1 an pour le Maroc, 6 mois pour l'Algérie, aucune garantie légale pour la Tunisie.

*La période des pièces détachées pour la réparation de l'appareil :

Les thermostats, les capteurs de température, les circuits imprimés et les sources de lumière sont disponibles pendant une période minimale de sept ans après la mise sur le marché de la dernière unité du modèle.

Poignées de porte, charnières de porte, bacs et paniers pendant une période minimale de sept ans et joints de porte pendant une période minimale de 10 ans, après la mise sur le marché de la dernière unité du modèle.

*Pour plus d'informations sur le produit, consultez <https://eprel.ec.europa.eu/> ou scannez le code QR sur l'étiquette énergétique fournie avec l'appareil.

2022 version B

Haier Smart Home Co.,Ltd.
No.1 Haier Road,Haier Industry Park,Hi-Tech Zone,
266103 Qingdao,Shandong,China
MADE IN CHINA

Haier



0060535245



Felhasználói kézikönyv

Hűtő-fagyasztó

HCW58F18EWMP

HU

Haier

Köszönjük, hogy Haier terméket vásárolt.

A készülék használata előtt olvassa el figyelmesen ezeket az utasításokat. Az utasítások fontos információkat tartalmaznak, amelyek segítenek abban, hogy a lehető legtöbbet hozza ki a készülékből, és szavatolják a biztonságos és megfelelő telepítést, használatot és karbantartást.

Tartsa ezt a kézikönyvet könnyen elérhető helyen, hogy bármikor fellapozhassa a készülék biztonságos és megfelelő használatához.

Ha eladja a készüléket, elajándékozza, vagy a lakásban hagyja költözéskor, győződjön meg arról, hogy ezt a kézikönyvet is átadja, hogy az új tulajdonos megismerhesse a készüléket és a biztonsági figyelmeztetéseket.

Jelmagyarázat



Figyelmeztetés - Fontos biztonsági információk



Általános információk és tippek



Környezetvédelmi információk

Ártalmatlanítás



Járuljon hozzá a környezet és az emberi egészség védelméhez. Az újrahasznosítás érdekében a csomagolást a megfelelő hulladéktárolóba selejtezze ki. Járuljon hozzá az elektromos és elektronikus berendezések hulladékainak az újrahasznosításához. Ne a háztartási hulladékkal együtt dobja ki az ezzel a szimbólummal jelölt készülékeket. Vigye vissza a terméket a helyi újrahasznosító létesítménybe, vagy vegye fel a kapcsolatot a helyi hivatallal.



FIGYELMEZTETÉS!

Sérülés vagy fulladás veszélye!

A hűtőközegeket és a gázokat szakszerűen kell ártalmatlanítani. Győződjön meg a hűtőkör csövének a sértetlenségéről, mielőtt megfelelően ártalmatlanítaná. Válassza le a készüléket a hálózati tápellátásról. Vágja el a hálózati kábelt és selejtezze ki. Távolítsa el a tálcákat és fiókokat, valamint az ajtóreteszt és a tömítéseket, hogy megakadályozza a gyermekek és háziállatok bezáródását a készülékbe.

Biztonsági információk.....	4
Termékleírás.....	10
Vezérlőpanel.....	11
Használat.....	12
Berendezés.....	26
Ápolás és tisztítás.....	29
Hibaelhárítás.....	32
Telepítés.....	35
Műszaki adatok.....	38
Ügyfélszolgálat.....	40

Tartozékok

Ellenőrizze a tartozékokat és a szakirodalmat ennek a listának megfelelően:



Jégkészítő
jéglapáttal



3 távtartó



Energiacímke



Jótállási jegy



Felhasználói
kézikönyv „OK”
matrica Felhasználói
kézikönyv

Megjegyzés: Csak HCW58F18EWMP modell esetén

A készülék első bekapcsolása előtt olvassa el a következő biztonsági tanácsokat:



FIGYELMEZTETÉS!

Első használat előtt

- ▶ Győződjön meg arról, hogy szállítás során a termék nem sérült.
- ▶ Távolítsa el az összes csomagolóanyagot, és tartsa gyermekektől elzárva.
- ▶ A készülék telepítése előtt várjon legalább két órát a hűtőkör teljes hatékonyságának biztosítása érdekében.
- ▶ Mivel a készülék nehéz, mindig legalább két személy szükséges a kezeléséhez vagy mozgatásához.

Telepítés

- ▶ A készüléket jól szellőző helyre telepítse. Biztosítson legalább 10 cm-es helyet a készülék felett és körül.
- ▶ Soha ne helyezze a készüléket nedves területre vagy olyan helyre, ahol víz fröccsenhet rá. A vízfröccsenéseket és a foltokat törölje le és szárítsa puha, tiszta törülőkendővel.
- ▶ Ne szerelje be a készüléket közvetlen napsugárzásnak kitett helyre vagy hőforrások (pl. kályhák, fűtőberendezések) közelébe.
- ▶ A méretének és felhasználásnak megfelelő helyre szerelje be és állítsa szintbe a készüléket.
- ▶ **FIGYELMEZTETÉS:** A berendezésen vagy a beépített szerkezetben a szellőzőnyílásokat ne takarja el.
- ▶ Bizonyosodjon meg arról, hogy az adattáblán olvasható elektromos jellemzők megfelelnek az elérhető tápellátás jellemzőinek. Ellenkező esetben forduljon villanszerelőhöz.
- ▶ A készülék 220-240 V váltóáramú, 50 Hz-es tápellátást igényel. A rendellenes feszültségingadozás nyomán előfordulhat, hogy a készülék nem indul be, károsodhat a hőmérséklet-vezérlő vagy a kompresszor, illetve működés során rendellenes zaj jelentkezik. Hasonló esetben szereljen fel automatikus feszültség szabályozót.
- ▶ Ne használjon többdugós adaptereket és hosszabbító kábeleket.
- ▶ **FIGYELMEZTETÉS:** Ne helyezzen több hordozható csatlakozót vagy hordozható tápegységet a berendezés mögé.
- ▶ **FIGYELMEZTETÉS:** A berendezés elhelyezésekor ellenőrizze, hogy a tápkábel nincs-e beszorulva vagy nem sérült-e.
- ▶ Ne lépjen a tápkábelre.
- ▶ A tápegységhez külön földelt aljzatot használjon, amely könnyen hozzáférhető. A készülék mindenképpen földelésre szorul.

**FIGYELMEZTETÉS!**

- ▶ **Csak az Egyesült Királyság esetén:** A készülék tápkábele 3 érintkezős (földeléses) dugasszal rendelkezik, amelyik szabványos 3 érintkezős (földeléses) aljzathoz illeszkedik. Soha ne vágja le vagy távolítsa el a harmadik érintkezőt (földelést). A készülék beszerelését követően a dugasznak hozzáférhetőnek kell maradnia.
- ▶ **FIGYELMEZTETÉS:** Ne okozza a hűtőközeg kör sérülését.

Napi használat

- ▶ A berendezést 8 évnél idősebb gyermekek vagy csökkent fizikai, érzékszervi vagy mentális képességű, vagy tapasztalattal és ismerettel nem rendelkező személyek akkor használhatják, ha felügyelet alatt állnak vagy ha megfelelő utasításokkal látták el őket a berendezés biztonságos használatát illetően, és megértették a használatból eredő veszélyeket.
- ▶ Gyermekek nem játszhatnak a berendezéssel.
- ▶ A 3 és 8 év közötti gyermekek be- és kirakodhatják a hűtőkészülékeket, de tisztításukat és szerelésüket nem végezhetik.
- ▶ Tartsa távol a 3 évesnél fiatalabb gyermekeket a készüléktől, kivéve, ha biztosítja a folyamatos felügyeletet.
- ▶ A berendezés tisztítását és karbantartását gyermekek csak felügyelet alatt végezhetik.
- ▶ A készüléket úgy kell elhelyezni, hogy a csatlakozó hozzáférhető legyen.
- ▶ Ha városi gáz vagy más gyúlékony gáz szivárog a készülék közelében, zárja el a szivárgó gáz szelepét, nyissa ki az ajtókat és ablakokat, és ne húzza ki a hűtőszekrény/fagyasztó vagy más készülék tápkábelét.
- ▶ Vegye figyelembe, hogy a készülék 10 °C és 38 °C közötti környezeti hőmérsékletben való működésre készült. Előfordulhat, hogy a készülék nem működik megfelelően, ha hosszabb ideig a jelzett tartomány feletti vagy alatti hőmérsékleten üzemel.
- ▶ Ne helyezzen instabil cikkeket (nehéz tárgyakat, vízzel teli edényeket) a hűtőszekrény/fagyasztó tetejére, elkerülve így a személyi sérüléseket, amiket ezen tárgyak leesése vagy a vízzel való érintkezés nyomán bekövetkező áramütés okozhat.
- ▶ Ne húzza meg az ajtópolcokat. Az ajtó elferdülhet, kihúzhatja a helyéről a palacktartót, vagy a készülék felborulhat.
- ▶ Az ajtó nyitásához vagy becsukásához kizárólag a fogantyúkat használja. Az ajtó és a szekrény közötti rés nagyon szűk. Ne tegye a kezét ezekre a területekre, mivel az ujjai becsípődhetnek. Csak akkor nyissa ki vagy csukja be a hűtőszekrény/fagyasztó ajtaját, ha nem állnak gyermekek az ajtó mozgási tartományán belül.



FIGYELMEZTETÉS!

- ▶ Az élelmiszerek szennyeződésének az elkerülése érdekében, kérjük, tartsa be a következő utasításokat:
- ▶ – Ha hosszú ideig nyitva tartja az ajtót, a készülék rekeszeiben jelentősen megemelkedhet a hőmérséklet.
- ▶ – Rendszeres időközönként tisztítsa meg az élelmiszerekkel érintkező felületeket, illetve a hozzáférhető vízelvezető csatornákat.
- ▶ – Tisztítsa meg a víztartályokat, amennyiben ezeket nem használta 48 óránál hosszabb ideje; öblítse át a vízellátáshoz csatlakoztatott vízrendszert, ha nem csapolt vizet legalább 5 napig.
- ▶ – A nyers húst és halat megfelelő tartályokban tárolja a fagyasztón belül, hogy ne érintkezhessenek egyéb élelmiszerekkel, illetve levük ne csepeg-hessenek egyéb élelmiszerekre.
- ▶ – A kétcsillagos fagyasztott élelmiszerek rekeszei alkalmasak előfagyasz-tott élelmiszerek tárolására, fagylalt tárolására vagy készítésére, illetve jégkockák készítésére.
- ▶ – Az egy-, két- és háromcsillagos rekeszek nem alkalmasak a friss élelmiszerek fagyasztásához.
- ▶ – Ha a hűtőberendezést hosszú ideig üresen hagyja, kapcsolja ki, olvassza le, tisztítsa meg, szárítsa ki, illetve hagyja az ajtót nyitva, így megelőzve penész megjelenését a készülékben.
- ▶ Soha ne tároljon palackozott sört vagy italokat, folyadékokat palackokban vagy kannákban (magas alkoholtartalmú italok kivételével), különösen szénsavas italokat a fagyasztóban, mert ezek szétrobbannak fagyasztás közben.
- ▶ Ne tároljon robbanásveszélyes anyagokat, például gyúlékony hajtóanyagot tartalmazó aeroszolos palackot a berendezésben.
- ▶ A készülékben ne tároljon gyógyszereket, baktériumokat vagy vegyszereket. Ez a készülék háztartási készülék. Nem javasoljuk olyan anyagok tárolását, amelyek szűk hőmérséklet-tartományban tárolhatók.
- ▶ Ellenőrizze az élelmiszer állapotát, ha a fagyasztóban felmelegedett a hőmérséklet.
- ▶ Ne állítson be szükségtelenül alacsony hőmérsékletet a hűtőrekeszben. Magas teljesítménybeállítások esetén mínusz fokok alakulhatnak ki. Figyelem: A palackok szétrobbanhatnak
- ▶ Ne nyúljon fagyott tárgyakhoz nedves kézzel (viseljen kesztyűt). Különösen ne egyen jeges nyalókát közvetlenül a fagyasztóból való kivétel után. Fennáll a fagsérülések vagy a hólyagok kialakulásának veszélye. ELSŐSEGÉLYNYÚJTÁS: tartsa a sérülést azonnal folyó hideg víz alá. Ne húzza el!

**FIGYELMEZTETÉS!**

- ▶ Működés közben ne érintse meg a fagyasztórekesz belső felületét, különösen nedves kézzel, mert a keze a felülethez fagyhat.
- ▶ Áramszünet esetén vagy tisztítás előtt húzza ki a készüléket az alzatból. A készülék újraindítása előtt várjon legalább 7 percet, mivel a készülék gyakori indítása során károsodhat a kompresszor.
- ▶ **FIGYELMEZTETÉS:** Ne használjon elektromos berendezéseket a berendezés élelmiszer tároló rekeszében, kivéve a gyártó által jóváhagyott típust.

Karbantartás / tisztítás

- ▶ Gondoskodjon a gyermekek felügyeletéről, ha tisztítást vagy karbantartást végeznek.
- ▶ A rutinszerű karbantartás megkezdése előtt húzza ki a készüléket a villanyhálózatból. A készülék újraindítása előtt várjon legalább 5 percet, mivel a készülék gyakori indítása során károsodhat a kompresszor.
- ▶ A készülék aljzatból való leválasztásakor ne a kábelt, hanem a csatlakozódugót húzza.
- ▶ Ne tisztítsa a készüléket keménysörtés kefékkel, drótkefékkel, mosóporral, benzinnel, amil-acetáttal, acetonnal és hasonló szerves oldatokkal, valamint savas vagy lúgos oldatokkal. A károsodások elkerülése érdekében a hűtőszekrény/fagyasztó tisztítását speciális, adott célra kialakított tisztítószerrel végezze. Esetleg használjon meleg vizet és szódabikarbóna oldatot: körülbelül egy evőkanál szódabikarbónát adagoljon egy liter vízhez. Öblítse át alaposan vízzel, majd törölje szárazra. Ne használjon poralapú tisztítószeret vagy egyéb súrolószeret. Az eltávolítható alkatrészeket ne mossa mosogatógépben.
- ▶ Ne kaparja le a fagyot és a jeget éles tárgyakkal. A műanyag alkatrészek károsodásának elkerülése érdekében ne használjon spray-t, elektromos hevítő berendezést, például fűtőberendezést, hajszárítót, gőztisztítót vagy más hőforrást.
- ▶ **FIGYELMEZTETÉS:** A kioldozási folyamat felgyorsításához csak a gyártó által javasolt mechanikai berendezéseket vagy egyéb eszközöket használja.
- ▶ Ha a tápkábel megsérül, a veszély elkerülése érdekében cseréltesse ki a gyártóval, a gyártó szervizközpontjával vagy más szakemberrel.
- ▶ Ne tegyen kísérletet a készülék saját kezű javítására, szétszerelésére vagy módosítására. Javítás szükségessége esetén vegye fel a kapcsolatot az ügyfélszolgálatunkkal.
- ▶ Ha a világítószerelvények megsérülnek, a veszély elkerülése érdekében cseréltesse ki azokat a gyártóval, a gyártó szervizközpontjával vagy hasonlóan képzett szakemberrel.



FIGYELMEZTETÉS!

- ▶ Évente legalább egyszer távolítsa el a port a készülék hátoldaláról, így elkerülve a tűzveszélyt, valamint a megnövekedett energiafogyasztást.
- ▶ Tisztítás közben ne permetezze vagy öblítse le a készüléket.
- ▶ Ne használjon vízpermetet vagy gőzt a készülék tisztításához.
- ▶ A hideg üvegpalcokat vagy üvegajtót ne tisztítsa forró vízzel. A hirtelen hőmérséklet-változás nyomán az üveg megrepedhet.
- ▶ Ha hosszabb ideig nem használja a készüléket, hagyja nyitva, hogy megakadályozza az állott és kellemetlen szagok kialakulását.

Gázalapú hűtőközegre vonatkozó információk



FIGYELMEZTETÉS!

A készülék gyúlékony IZOBUTÁN (R600a) hűtőközeget tartalmaz. Győződjön meg arról, hogy a hűtőközeg köre nem sérült meg szállítás vagy beszerelés közben. A szivárgó hűtőközeg szemsérülést okozhat, vagy belobbanhat. Sérülés esetén tartsa távol a tűzforrásokat, szellőztesse ki alaposan a helyiséget, **ne** csatlakoztassa, vagy húzza ki a készülék vagy egyéb készülék tápkábelét. Tájékoztassa az ügyfélszolgálatot.

Ha a hűtőközeg szembe kerül, akkor azonnal öblítse ki folyó víz alatt, és azonnal forduljon szemész szakorvoshoz.

FIGYELMEZTETÉS: A hűtőrendszerben nagy nyomás uralkodik. Ne tegyen kísérletet semmilyen beavatkozásra. Mivel a készülék gyúlékony hűtőközeget használ, kérjük, a készüléket szigorúan az utasításoknak megfelelően telepítse, kezelje és szervizelje, a készülék kiselejtezése tekintetében pedig vegye fel a kapcsolatot és lépjen kapcsolatba szakemberrel vagy a vevőszolgálat munkatársaival.



FIGYELMEZTETÉS!

Jeges vizet biztosító hűtőszekrények esetén, kérjük, vegye figyelembe a következő figyelmeztetést:

Vízellátáshoz nem csatlakoztatható készülékek esetében:

FIGYELMEZTETÉS: kizárólag ivóvízzel töltse fel.

Vízellátáshoz csatlakoztatható készülékek esetében:

FIGYELMEZTETÉS: csak ivóvízhálózathoz csatlakoztatható.

Ha meg szeretné tisztítani a vízrendszert, kérjük, olvassa el a felhasználói kézikönyvet. Bármilyen felmerülő kérdés esetén vegye fel a kapcsolatot a vevőszolgálatl.

Rendeltetészerű használat

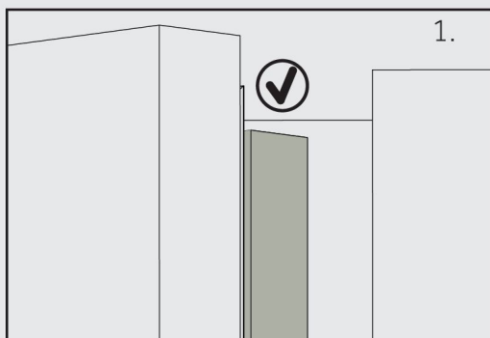
Ez a készülék élelmiszerek hűtésére és fagyasztására szolgál. Kizárólag háztartási és hasonló alkalmazásokra tervezték, mint például az üzletek, irodák és egyéb munkakörnyezetek személyzeti konyháinak területei; tanyasi házakban és szállodák, motelek és egyéb lakókörnyezetben, valamint panziós és vendéglátóipari vállalkozásokban való használatra ügyfelek számára. Tervezéséből adódóan nem alkalmas kereskedelmi vagy ipari használatra. A készüléken változtatások vagy módosítások végrehajtása nem megengedett. A nem rendeltetészerű használat veszélyeket eredményezhet, illetve a szavatossági igények érvénytelenítésével járhat.

Szabványok és irányelvek **CE** és **UKCA**

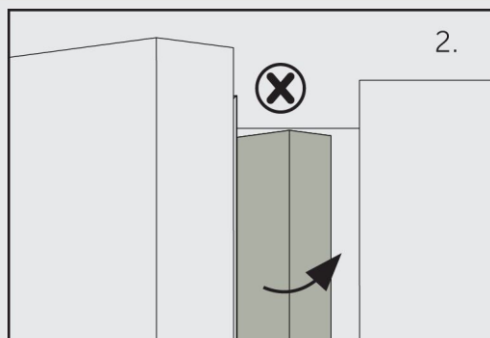
A termék megfelel az összes vonatkozó EK irányelvben meghatározott követelménynek, illetve a vonatkozó harmonizált szabványoknak, amelyek alapján megilleti a CE- és az UKCA-jelölés.



VIGYÁZAT!



Amikor becsukja az ajtót, a hűtőszekrény bal oldali ajtaján a függőleges szalagnak belül be kell hajolnia (1).



Ha megpróbálja becsukni a bal ajtót, és a függőleges ajtószalag nincs meghajolva (2), először hajlítsa meg, ellenkező esetben az ajtószalag a rögzítő tengelynek vagy a jobb ajtónak ütközik. Ez az ajtó csúszását vagy szivárgást eredményezhet.

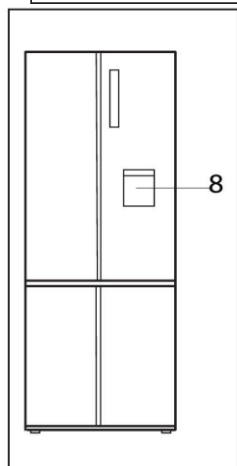
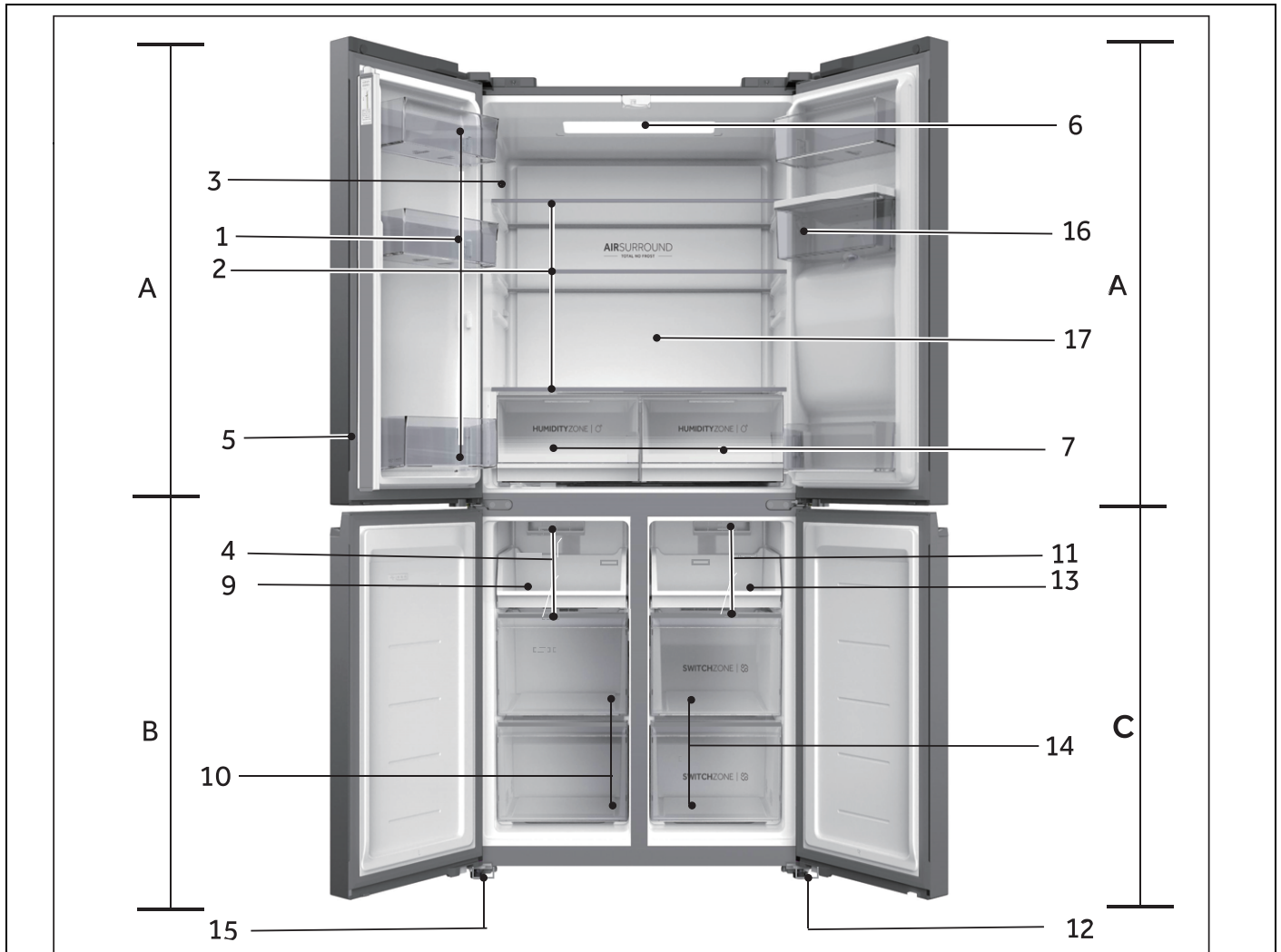
A keretben található egy fűtőszál. A felület hőmérséklete egy kicsit emelkedni fog, ami normális, és nem befolyásolja a készülék működését.



Megjegyzés

A műszaki módosítások és különböző modellek miatt előfordulhat, hogy a kézikönyvben látható egyes ábrák eltérőek az Ön modelljéhez képest.

Modell (HCW58F18EWMP)



A: A hűtőszekrény rekeszei

- 1 Ajtópolc
- 2 Hűtőpolc
- 3 Adattábla
- 5 Ajtószalag
- 6 Felső lámpa
- 7 Humidity zone fiók
- 8 Vízadagoló
- 16 Víztartály
- 17 Légcsatorna

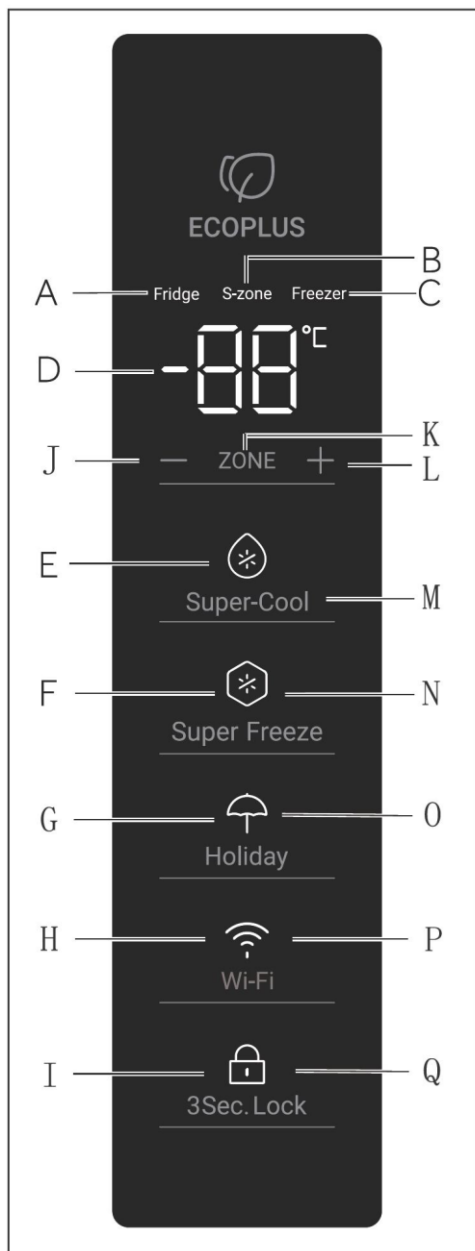
B: Fagyasztó rekesz

- 4 Légcsatorna
- 9 Tárolótálca
- 10 Tárolófiók
- 15 Állítható láb

C: Switch Zone átváltható zóna rekesz

- 11 Légcsatorna
- 12 Állítható láb
- 13 Tárolótálca
- 14 Switch Zone tárolófiók

Vezérlőpanel (HCW58F18EWMP)



Jelzőfény:

- A Hűtőtér
- B Switch Zone
- C Fagyasztó rekesz
- D Hőmérséklet kijelző
- E Super Cool funkció
- F Super Freeze funkció
- G Holiday üzemmód
- H Wi-Fi funkció
- I Vezérlőpult zárolása

Gombok:

- J Hőmérséklet vezérlés „-“
- K Rekesz kiválasztása
- H Hőmérséklet vezérlés „+“
- M Super Cool funkcióválasztó
- N Super Freeze funkcióválasztó
- O Holiday üzemmód választó
- P Wi-Fi funkció be/ki
- Q Panelzár visszajelző

Első használat előtt

- ▶ Távolítson el minden csomagolóanyagot, tartsa azokat gyermekektől elzárva, kiselejtezésüket pedig környezetbarát módon végezze.
- ▶ Tisztítsa meg a készülék belsejét és külsejét vízzel és kíméletes tisztítószerrel, mielőtt bármilyen ételt tenne bele.
- ▶ A készülék szintbeállítását és tisztítását követően várjon legalább 2-5 órát, mielőtt csatlakoztatná a tápellátáshoz. Lásd a TELEPÍTÉS részt.
- ▶ Az étellel való feltöltés előtt hűtse le a rekeszeket magas beállítások alkalmazásával. A Power-Freeze funkció elősegíti a rekeszek gyors lehűtését.
- ▶ A hűtőrekesz hőmérséklet, Switch Zone hőmérséklet, illetve a fagyasztó hőmérséklete gyári alapbeállítás szerint automatikusan 5 °C, -18 °C és -18 °C. Ezek a javasolt beállítások. Ha kívánja, ezeket a hőmérsékleteket módosíthatja manuálisan. Lásd a HŐMÉRSÉKLET BEÁLLÍTÁSA c. részt.

Érintésérzékeny gombok

A vezérlőpulton található gombok érintésérzékenyek, és már akkor reagálnak, ha enyhén megérinti az ujjával.

A készülék be- és kikapcsolása

A készülék működésbe lép, amint csatlakoztatja tápellátáshoz.

A hűtőszekrény első bekapcsolásakor a „D” jelzés (hőmérséklet kijelző) világít. A hűtőszekrény hőmérséklet, Switch Zone hőmérséklet, illetve a fagyasztó hőmérséklete gyári alapbeállítás szerint automatikusan 5 °C, -18 °C és -18 °C.

Talán aktív a panelzár.



Megjegyzés

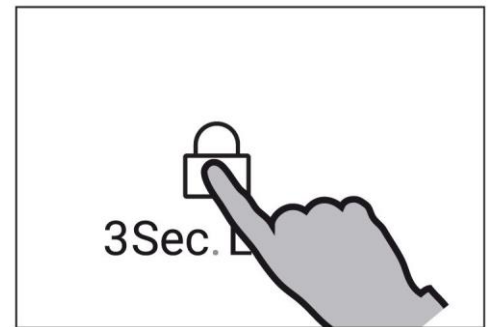
A készülék alapbeállítása gyárilag az ajánlott 5 °C (hűtőszekrény), -18 °C (Switch Zone) és -18 °C (fagyasztó) hőmérséklet. Normál környezeti feltételek mellett nem kell módosítania a hőmérsékletet.

Amikor a készüléket visszkapcsolja a hálózati tápellátásról való leválasztás után, akár 12 órát is igénybe vehet a megfelelő hőmérséklet elérése.

A kikapcsolás előtt ürítse ki a készüléket. A készülék kikapcsolásához húzza ki a tápkábel dugaszát az aljzatból.

Panel zárolása/feloldása

A kijelző automatikusan kikapcsol 30 másodperccel a gomb megnyomása után. A kijelző automatikusan lezáródik. Automatikusan kigyullad, ha bármelyik kulcsot megnyomnak vagy ajtót nyitnak.



Megjegyzés

A hűtő hőmérséklete, a Switch Zone hőmérséklete, a fagyasztó hőmérséklete, a Super Cool funkció, a Super Freeze funkció, a Holiday üzemmód, a Wi-Fi funkció nem állítható zárolt állapotban.

Készenléti üzemmód

A kijelző automatikusan kikapcsol 30 másodperccel adott gomb megnyomása után. A kijelző automatikus zárul. Automatikusan bekapcsol a világítása, amint megérint valamilyen gombot, vagy ha kinyitja az ajtót. (A riasztás nem kapcsolja be a kijelzőt.)

Kézi beállítási mód

Ha manuálisan szeretné beállítani a készülék hőmérsékletét, ez végrehajtható a hőmérséklet szabályozó gombbal (lásd a HŐMÉRSÉKLET BEÁLLÍTÁSA c. részt)

Hőmérséklet beállítása

A beltéri hőmérsékletet a következő tényezők befolyásolják:

- ▶ Környezeti hőmérséklet
- ▶ Az ajtónyitás gyakorisága
- ▶ A tárolt élelmiszerek mennyisége
- ▶ A berendezés beszerelése

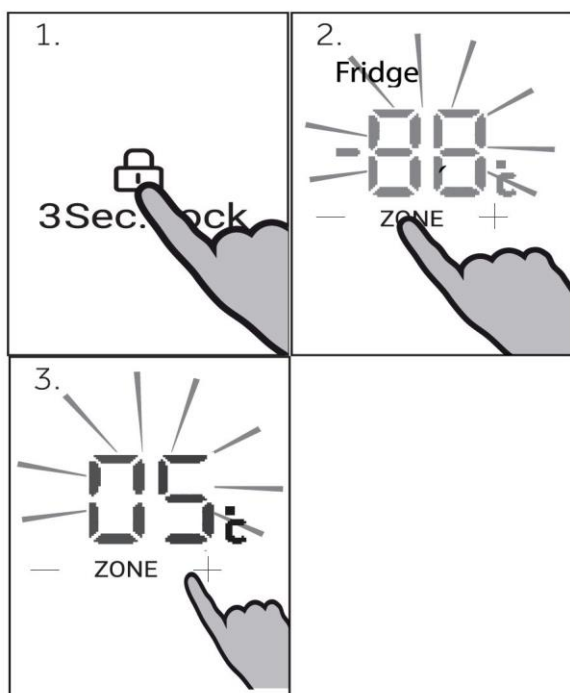
Ajtó riasztás

Az ajtó riasztás akkor élesedik, amikor az ajtót hosszú ideig nyitva tartja, vagy nincs megfelelően becsukva, és a riasztás emlékeztetőként szolgál.

Hűtőszekrény hőmérsékletének a beállítása

Oldja fel a beállításokat a „Q” gomb 3 másodpercig tartó lenyomásával.

Feloldott állapotban a rekeszek közötti váltáshoz nyomja meg a „K” (rekeszváltás) gombot. Amikor az „A” jelzőfény (a hűtőrekesz jelzőfény) kigyullad, nyomja meg a „J” gombot (hőmérséklet vezérlés „-”) vagy az „L” gombot (hőmérséklet vezérlés „+”) a hűtőrekesz hőmérsékletének a beállításához. A „D” kijelzőn megjelenő érték 1 °C-kal csökken a „J” gomb minden egyes megnyomásakor.



A kijelző villog, és a beállított hőmérsékleten folyamatosan világít, majd néhány másodperc múlva kikapcsol. Valamint a „D” kijelzőn megjelenő érték 1 °C-kal emelkedik az „L” gomb minden egyes megnyomásakor. A kijelző villog, és a beállított hőmérsékleten folyamatosan világít, majd néhány másodperc múlva kikapcsol. A hűtőrekesz hőmérséklete 1 °C és 9 °C között állítható be 1 °C-os lépésekben.



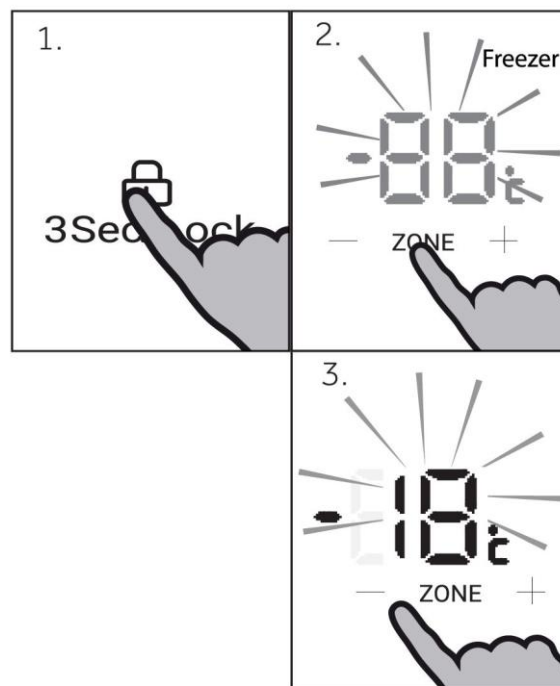
Megjegyzés

A hűtő hőmérséklete nem állítható be Super Cool funkció, Holiday mód és zárolt állapot esetén.

Fagyasztó hőmérsékletének a beállítása

Oldja fel a beállításokat a „Q” gomb 3 másodpercig tartó lenyomásával.

Feloldott állapotban a rekeszek közötti váltáshoz nyomja meg a „K” (rekeszváltás) gombot. Amikor a „C” jelzőfény (a fagyasztórekesz jelzőfény) kigyullad, nyomja meg a „J” gombot (hőmérséklet vezérlés „-”) vagy az „L” gombot (hőmérséklet vezérlés „+”) a fagyasztórekesz hőmérsékletének a beállításához. A „D” kijelzőn megjelenő érték 1 °C-kal csökken a „J” gomb minden egyes megnyomásakor. A kijelző villog, és a beállított hőmérsékleten folyamatosan világít, majd néhány másodperc múlva kikapcsol. Valamint a „D” kijelzőn megjelenő érték 1 °C-kal emelkedik az „L” gomb minden egyes megnyomásakor. A kijelző villog, és a beállított hőmérsékleten folyamatosan világít, majd néhány másodperc múlva kikapcsol. A fagyasztórekesz hőmérséklete -14 °C és -24 °C között állítható be 1 °C-os lépésekben.



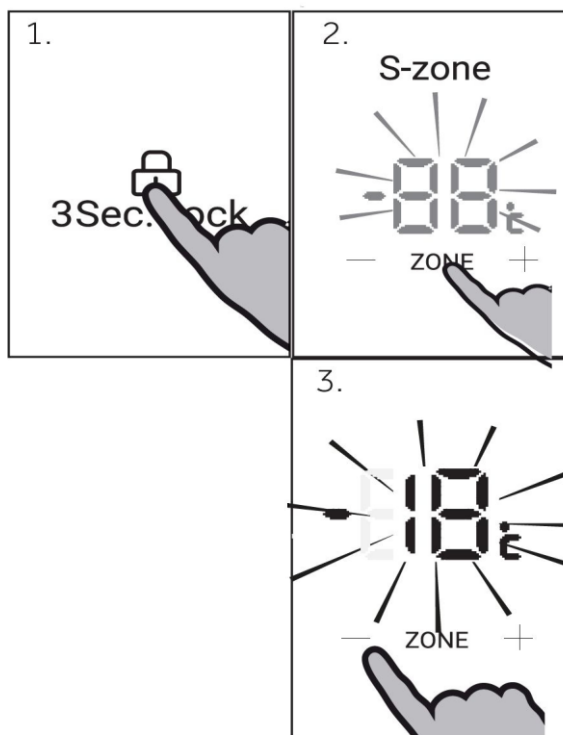
Megjegyzés

A fagyasztó hőmérséklete nem állítható be Super Freeze funkció és zárolt állapot esetén.

Switch Zone hőmérsékletének a beállítása

Oldja fel a beállításokat a „Q” gomb 3 másodpercig tartó lenyomásával.

Feloldott állapotban a rekeszek közötti váltáshoz nyomja meg a „K” (rekeszváltás) gombot. Amikor a „B” jelzőfény (a Switch Zone jelzőfény) kigyullad, nyomja meg a „J” gombot (hőmérséklet vezérlés „-”) vagy az „L” gombot (hőmérséklet vezérlés „+”) a Switch Zone hőmérsékletének a beállításához. A „D” kijelzőn megjelenő érték 1 °C-kal csökken a „J” gomb minden egyes megnyomásakor. A kijelző villog, és a beállított hőmérsékleten folyamatosan világít, majd néhány másodperc múlva kikapcsol. Valamint a „D” kijelzőn megjelenő érték 1 °C-kal emelkedik az „L” gomb minden egyes megnyomásakor. A kijelző villog, és a beállított hőmérsékleten folyamatosan világít, majd néhány másodperc múlva kikapcsol. A Switch Zone rekesz hőmérséklete 5 °C és -18 °C között állítható be 1 °C-os lépésekben.



Megjegyzés

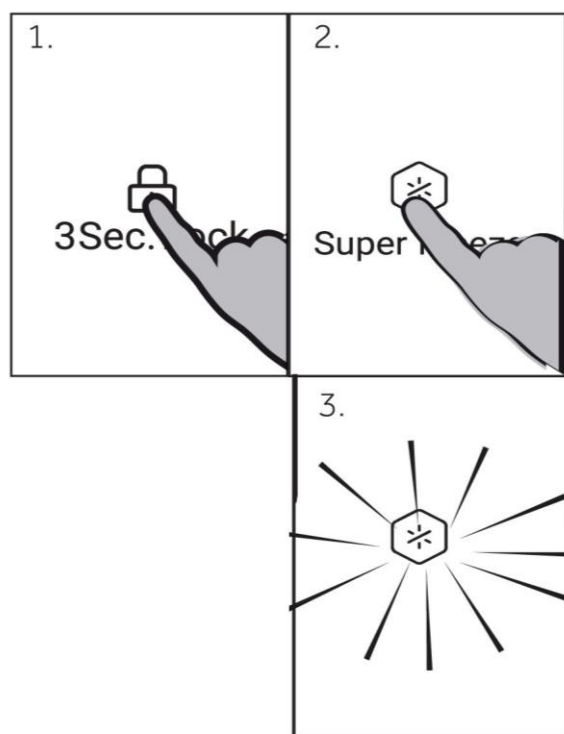
A Switch Zone hőmérséklete nem állítható zárolt állapotban.

Super Freeze funkció

A Super Freeze funkció a lehető leghamarabb lefagyasztja a friss élelmiszert teljesen, felgyorsítva a fagyasztást, hogy megőrizze az ételek legjobb tápértékét, megjelenését és ízét. Ha egyszerre nagy mennyiségű ételt kell lefagyasztania, ajánlott a Super Freeze funkciót 24 órával azelőtt bekapcsolni, hogy betenné az élelmiszert a fagyasztórekeszbe.

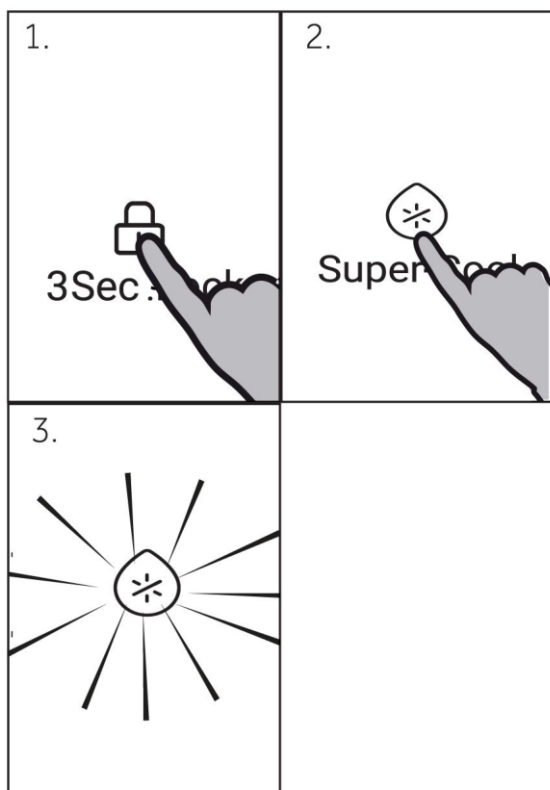
Oldja fel a beállításokat a „Q” gomb 3 másodpercig tartó lenyomásával.

Feloldott állapotban nyomja meg az „N” (Super Freeze funkcióválasztó) gombot, az „F” jelzőfény (Super Freeze funkció jelzőfény) világítani kezd, a készülék pedig Super Freeze módba kapcsol. A készülék automatikusan kikapcsolja a Super Freeze módot a bekapcsolása után 50 órával. Ha manuálisan szeretné kikapcsolni a Super Freeze módot, nyomja meg az „N” gombot (Super Freeze funkcióválasztó) kioldott állapotban, az „F” jelzőfény (Super Freeze funkció jelzőfény) kialszik, a készülék pedig kilép a Super Freeze üzemmódból.



Megjegyzés

Super Freeze üzemmódban a „J” (Hőmérséklet vezérlés „-”) és az „L” (Hőmérséklet vezérlés „+”) gombok zárolva vannak a fagyasztórekesz kiválasztásakor, és a fagyasztórekesz hőmérséklete nem állítható be.



Super Cool funkció

Ha gyorsan szeretné lehűteni az élelmiszert, akkor kapcsolja be a Super Cool funkciót, miután behelyezte az ételt a hűtőrekeszbe.

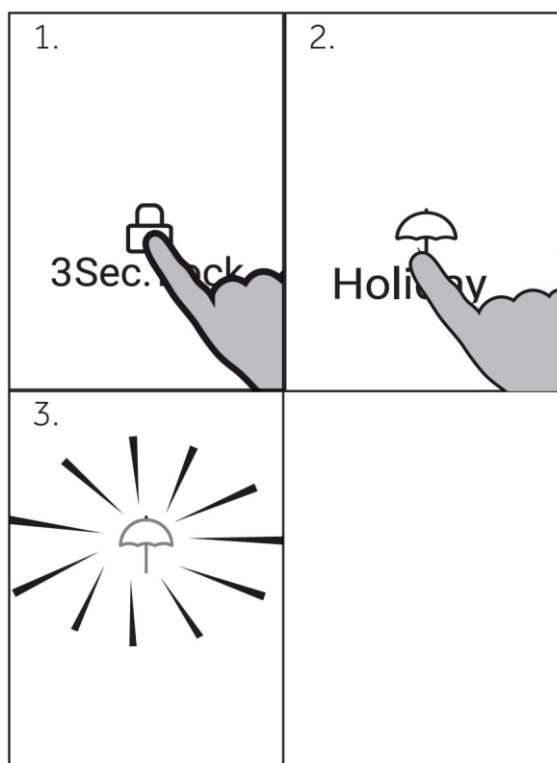
Oldja fel a beállításokat a „Q” gomb 3 másodpercig tartó lenyomásával.

Feloldott állapotban nyomja meg az „M” (Super Cool funkcióválasztó) gombot, az „E” jelzőfény (Super Cool funkció jelzőfény) világítani kezd, a készülék pedig Super Cool üzemmódba kapcsol. A készülék automatikusan kikapcsolja a Super Cool üzemmódot a bekapcsolása után 6 órával. Ha manuálisan szeretné kikapcsolni a Super Cool üzemmódot, nyomja meg az „M” gombot (Super Cool funkcióválasztó) kioldott állapotban, az „E” jelzőfény (Super Cool funkció jelzőfény) kialszik, a készülék pedig kilép a Super Cool üzemmódból.



Megjegyzés

A Super Cool funkció a Holiday üzemmód kiválasztásakor automatikusan kikapcsol. Super Cool üzemmódban a „J” (Hőmérséklet vezérlés „-”) és az „L” (Hőmérséklet vezérlés „+”) gombok zárolva vannak a hűtőrekesz kiválasztásakor, és a hűtőrekesz hőmérséklete nem állítható be.



Holiday üzemmód

Holiday üzemmódban a hűtőrekesz automatikusan 17 °C-ra áll (az energiatakarékosság jegyében), míg a Switch Zone és a fagyasztórekesz normál hőmérsékleti beállításokkal működik.

Oldja fel a beállításokat a „Q” gomb 3 másodpercig tartó lenyomásával.

Feloldott állapotban nyomja meg az „O” gombot (Holiday üzemmód választó), a „G” jelzőfény (Holiday üzemmód jelzőfény) bekapcsol, a termék Holiday üzemmódba lép; a kilépéshez nyomja meg az „O” gombot (Holiday üzemmód választó), a „G” jelzőfény kialszik, és a termék kilép a Holiday üzemmódból.

i Megjegyzés


A Super Cool funkció aktiválásakor a Holiday üzemmód automatikusan kikapcsol.

Holiday üzemmódban a „J” (Hőmérséklet vezérlés „-”) gomb és az „L” gomb (Hőmérséklet vezérlés „+”) zárolva van, amikor a hűtőrekesz ki van választva, és a hűtőrekesz hőmérséklete nem állítható be.

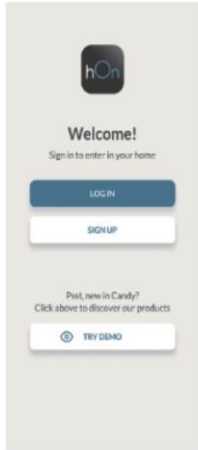
Wi-Fi mód beállítás

PÁROSÍTÁSI ELJÁRÁS AZ ALKALMAZÁSBAN

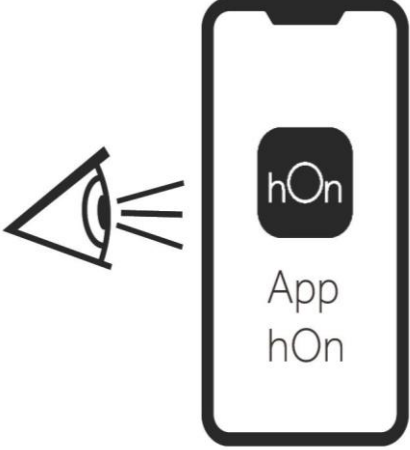
1. lépés • Töltse le a hOn alkalmazást a megfelelő áruházból



2. lépés Hozza létre fiókját a hOn alkalmazásban, vagy jelentkezzen be, ha már van fiókja



3. lépés Kövesse a hOn alkalmazás párosításra vonatkozó utasításait



Wi-Fi funkció

Ha a Wi-Fi módot még nem konfigurálta, amikor először bekapcsolja a hűtőszekrényt, a készülék automatikusan konfigurációs módba vált, és ebben az állapotban marad 30 percig.

A „H” Wi-Fi ikon gyorsan villog, és végrehajthatja a termék regisztrációját.

1. A Wi-Fi funkció konfigurálásához kövesse az alkalmazás utasításait.
2. A Wi-Fi konfigurálása és a kapcsolat létrehozása után a „H” Wi-Fi ikon bekapcsol, és folyamatosan világít.
3. Ha nem hajt végre semmilyen műveletet 30 percig, a Wi-Fi funkció automatikusan kilép a konfigurációs módból.
4. Ha a Wi-Fi funkciót már konfigurálta, ez automatikusan újracsatlakozik a konfigurációs adatoknak megfelelően, ha bekapcsolja a Wi-Fi funkciót.



Megjegyzés

1. Ez a termék nem kereskedelmi használatra készült.
2. Az adó működési frekvenciája: 2400 MHz ~ 2483,5 MHz
3. Az adó maximális kimeneti teljesítménye: 20 dBm



Megjegyzés

1. A Wi-Fi kikapcsolásához nyomja meg a „P” Wi-Fi gombot, és a „H” Wi-Fi ikon kikapcsol.
2. A Wi-Fi bekapcsolásához és a konfiguráció elindításához nyomja meg a „P” Wi-Fi gombot, és a „H” Wi-Fi ikon lassú villogásba kezd. A Wi-Fi funkció kikapcsolásához nyomja meg egyszer a „P” gombot. Ha konfigurálni szeretné a Wi-Fi funkciót, tartsa lenyomva a „P” gombot 3 másodpercig, de 20 másodpercnél rövidebb ideig, ekkor hangjelzés hallható, a Wi-Fi ikon gyors villogásba kezd, és bekapcsol a konfigurációs üzemmód. A fenti lépéseket meg kell ismételni,
3. ha a készülék konfigurálása megtörtént, és a Wi-Fi funkció ki van kapcsolva; a hűtőszekrény nem lép konfigurációs üzemmódba, miután visszakapcsolja a tápellátást.
4. A Wi-Fi konfigurálása és a kapcsolat létrehozása után a „H” Wi-Fi ikon bekapcsol, és folyamatosan világít.

Ajtó riasztás

Az ajtó riasztás akkor élesedik, amikor az ajtót hosszú ideig nyitva tartja, vagy nincs megfelelően becsukva, és a riasztás emlékeztetőként szolgál.

HŰTŐSZEKRENY AJTÓ BAL OLDALON

HŰTŐSZEKRENY AJTÓ JOBB OLDALON

FAGYASZTÓ AJTAJA

SWITCH ZONE AJTÓ

Vízagoló

A vízagolónak köszönhetően hűs ivóvizet fogyaszthat.

Használat előtt kötelezően tisztítsa meg a víztartályt (lásd ÁPOLÁS ÉS KARBANTARTÁS).

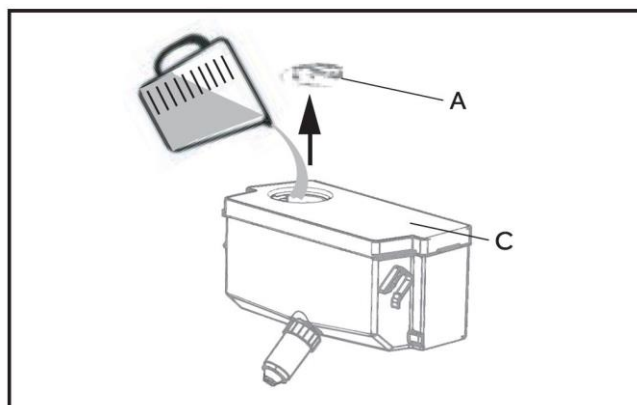
A víztartály feltöltése



FIGYELMEZTETÉS!

Csak ivóvízzel töltsse fel.

1. Bizonyosodjon meg a víztartály megfelelően behelyezett állapotáról (lásd BERENDEZÉS)
2. Forgassa el és emelje fel a kerek kupakot (A), és töltsse fel a víztartályt friss ivóvízzel.
3. A vizet csak a jelzésig töltsse (2,5 l); a víz túlfolyhat az ajtó kinyitásakor vagy becsukásakor.
4. Zárja vissza a kerek kupakot (A), amíg a helyére nem kattán.

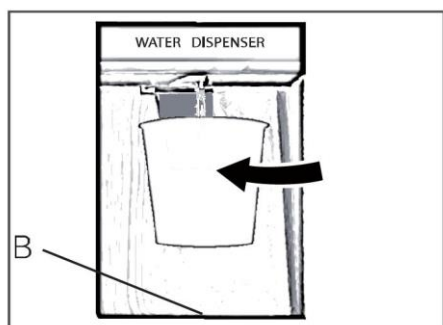


Megjegyzés: Vízagoló

Mielőtt feltöltené a tartályt, távolítsa el az abban maradt vizet, és tisztítsa meg a tartályt.

Ha hosszabb ideig nincs szüksége vízre, ürítse ki a víztartályt, és megtisztítva helyezze vissza a tartályt.

A víztartály kupakja (C) energiatakarékosági célokat is szolgál. Ha hosszabb ideig nem kívánja használni a vízagolót, ettől függetlenül helyezze fel a kupakot, mivel ez szigetel, és hozzájárul az energiatakarékos működéshez.



Vízhez jutás a vízagolóból

1. Helyezzen egy poharat a vízkimenet alá.
2. Gyengéden nyomja meg ezzel a vízagoló karját. Bizonyosodjon meg arról, hogy a pohár pontosan az adagoló alatt található, így megelőzve a víz kifröccsenését.
3. A tálcában (B) lévő vizet időben távolítsa el, mivel ez túlfolyhat az ajtó kinyitásakor és zárásakor.

Tippek friss élelmiszer tárolásához

Tárolás a hűtőrekeszben

- ▶ A hűtőszekrényben a hőmérsékletet tartsa 5 °C alatt.
- ▶ A forró élelmiszert a készülékbe helyezés előtt mindenképpen hűtse le szobahőmérsékletre.
- ▶ A hűtőberendezésben tárolt élelmiszereket előzetesen mossa meg és szárítsa meg
- ▶ A tárolni kívánt élelmiszert tegye megfelelően zárható edénybe, hogy elkerülje az illatok és ízek módosulását.
- ▶ Ne tároljon túlságosan sok élelmiszert a készülékben. Hagyjon területet az élelmiszerek között, hogy a hideg levegő keringhessen mellettük, így jobb hatásfokú és homogénebb lesz a hűtés.
- ▶ A napi rendszerességgel fogyasztott élelmiszereket a polc elején tárolja.
- ▶ A légáramlás lehetővé tétele érdekében hagyjon némi teret az élelmiszerek és a belső falak között. Ne tároljon élelmiszereket úgy, hogy azok a hátsó fallal érintkezzenek, mivel az élelmiszer megfagyhat. Kerülje az élelmiszer (különösen az olajos vagy savas ételek) közvetlen érintkezését a belső bevonattal, mivel az olaj/sav a belső bevonat károsodását eredményezheti. Távolítsa el az olajos/savas szennyeződések, amint észleli ezeket.
- ▶ A fagyos élelmiszert a hűtőrekeszben olvassza ki. Ily módon a fagyasztott étel segítségével csökkentheti a hűtőrekesz hőmérsékletét, és energiát takaríthat meg.
- ▶ Egyes gyümölcsök és zöldségek, például a cukkini, dinnye, papaja, banán, ananász stb. érési folyamata felgyorsulhat a hűtőszekrényben. Következésképpen nem javasoljuk ezek hűtőberendezésben való tárolását. Mindazonáltal rendkívül zöld gyümölcsök esetében a hűtőberendezésben adott ideig elősegíthető az érési folyamat. Javasoljuk, hogy a hagymát, fokhagymát, gyömbért és egyéb gyökeres zöldségeket szobahőmérsékleten tárolja.
- ▶ A hűtőben érezhető kellemetlen illat megjelenése arra utal, hogy valami kiömlött, és a készülék tisztítást igényel. Lásd az **ÁPOLÁS ÉS TISZTÍTÁS** részt.
- ▶ Különböző élelmiszereket különböző területeken helyezzen el az ételek tulajdonságai szerint:

i Megjegyzés

Kérjük, a hűtés biztosítása érdekében tartson 10 mm-nél nagyobb távolságot az elhelyezett étel és a légcsatorna vagy az érzékelők között.



- 1 Vaj, sajt stb.
- 2 Tojás, italosdoboz, konzerv, fűszerek stb.
- 3 Italok és palackozott ételek.
- 4 Savanyú ételek, konzervek stb.
- 5 Húskészítmények, harapnivalók, tészták, konzervek, tej, tofu, tejtermékek stb.
- 6 Főtt hús, kolbász stb.
- 7 Humidity zone fiók: Gyümölcs, zöldség, saláta stb.
- 8 Humidity zone fiók: Gyümölcs, zöldség, saláta stb.

Tárolás a Switch Zone rekeszben

A Switch Zone rekesz lehetővé teszi a hőmérséklet -18 °C és 5 °C közötti beállítását az élelmiszertárolási igényeknek megfelelően, így a készülék fokozott rugalmassággal szolgál az élelmiszertárolási opciók tekintetében az Ön kényelme érdekében.

-18 °C	1-12 hónapos tárolást igénylő, általános fagyasztott élelmiszerekhez.	Hús, baromfi, tengeri ételek, előfőzött ételek és maradék, néhány gyümölcs és zöldség, fagylalt és egyéb fagyasztott desszertek.
-7 °C	Lehetővé teszi az étel könnyű adagolását, valamint azt, hogy az ételeket közvetlenül a rekeszből melegítse, főzze vagy tálalja anélkül, hogy várnia kellene a kiolvadásra.	Húsok, tengeri ételek, levesek, szószok, pürésített ételek, kenyér, desszertek és sütemények. Megjegyzés: Krémes desszertek, például jégkrém tárolására ajánlott.
0 °C	Tökéletes tárolási zóna biztosítása a rendkívül romlandó élelmiszerek számára, hogy megőrizték létfontosságú frissességüket és minőségüket.	Rendkívül romlandó húsok, baromfi és tengeri ételek. Alkoholos italok, például sör.
5 °C	Ideális hőmérséklet friss élelmiszerekhez, például gyümölcsökhöz és zöldségekhez, tejtermékekhez, húsokhoz és italokhoz.	Gyümölcsök és zöldségek, tejtermékek, lekvárok és chutney-k/konzervek, húsok és italok.

Tárolás a fagyasztórekeszben

- ▶ A fagyasztó hőmérsékletét tartsa -18 °C -on.
- ▶ 24 órával a fagyasztás előtt kapcsolja be a Super-Freeze funkciót; kis mennyiségű élelmiszerek esetén 4–6 óra is elegendő.
- ▶ A forró élelmiszert a fagyasztó rekeszbe helyezés előtt mindenképpen hűtse le szobahőmérsékletre.
- ▶ Az apró darabokra szeletelt élelmiszer gyorsabban lefagyasztható, illetve könnyebben kiolvasható és megfőzhető. Javasoljuk, hogy az egyes darabok tömege ne érje el a $2,5\text{ kg}$ -ot
- ▶ Javasoljuk, hogy csomagolja be az élelmiszert, mielőtt a fagyasztóba tenné azt. A zacskók összeragadásának megelőzése érdekében biztosítsa a csomagolások külső felületének a szárazságát. A csomagolásoknak szagmentesnek, légmentesnek, nem mérgezőnek és ártalmatlannak kell lenniük.
- ▶ A tárolt élelmiszerek szavatossági idejének a lejártát elkerülendő, kérjük, jegyezze fel a lefagyasztás dátumát, a szavatossági időt és az élelmiszer nevét a csomagolásra, az adott élelmiszerek szavatossági idejének megfelelően.
- ▶ **FIGYELMEZTETÉS!** A sav, lúg és só stb. károsíthatja a fagyasztó belső felületét. Ne helyezze el az ilyen anyagokat (pl. tengeri halakat) tartalmazó élelmiszereket úgy, hogy azok érintkezhessenek a belső felülettel. A fagyasztóban lévő sós vizet azonnal távolítsa el.
- ▶ Ne haladja meg a gyártó által javasolt tárolhatósági időt. Csak a szükséges mennyiségű ételt vegye ki a fagyasztóból.
- ▶ A kiolvastott ételt gyorsan fogyassza el. A kiolvastott élelmiszer kizárólag megfőzést követően fagyasztható le ismét, ellenkező esetben fagyaszthatatlanná válhat.
- ▶ Ne tegyen túl sok friss élelmiszert a fagyasztó rekeszbe. Lásd a fagyasztó fagyasztási kapacitását - Lásd a MŰSZAKI ADATOK részt vagy az adattáblán található adatokat.
- ▶ A fagyasztóban legalább -18 °C -on 2 és 12 hónap közötti ideig tárolható az élelmiszer a jellemzőitől függően (pl. hús: 3–12 hónap, zöldségek: 6–12 hónap)
- ▶ Friss élelmiszer fagyasztásakor kerülje a már fagyasztott élelmiszerral való érintkezést. Kiolvadás veszélye!

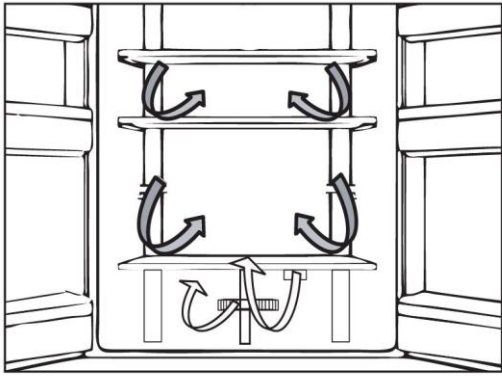
A kereskedelmi forgalomban lévő fagyasztott élelmiszerek tárolásakor kövesse az alábbi irányelveket:

- ▶ Mindig kövesse a gyártó utasításait arra vonatkozóan, hogy mennyi ideig tárolhatja az élelmiszert. Ne lépje túl a javasolt értékeket!
- ▶ Az élelmiszerek minőségének megőrzése érdekében törekedjen arra, hogy a legrövidebb idő teljen el a vásárlás és a lefagyasztás időpontja között.
- ▶ Vásároljon -18 °C vagy annál alacsonyabb hőmérsékleten tárolt fagyasztott élelmiszereket.
- ▶ Kerülje az olyan élelmiszerek vásárlását, amelyek csomagolásán jég vagy fagy látható. Ez azt jelzi, hogy a termékeket részben kiolvastották, majd valamikor újrafagyasztották; a hőmérséklet-emelkedés befolyásolja az élelmiszerek minőségét.



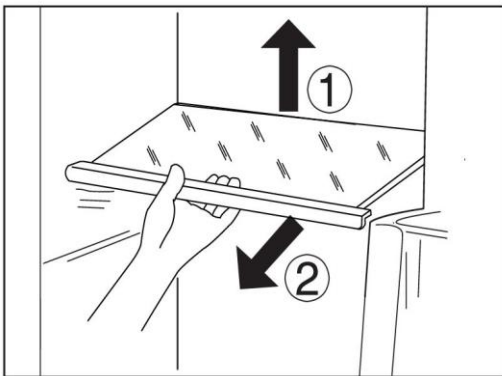
Megjegyzés

- ▶ Kérjük, a hűtés biztosítása érdekében tartson 10 mm -nél nagyobb távolságot az elhelyezett étel és a légcsatorna között.



Többirányú légáramlás

A hűtőszekrény többirányú légáramlási rendszerrel van felszerelve, amely hűvös légárammal látja el az összes polcszintet. Ez segít az egységes hőmérséklet megőrzésében a készülékben, így az étel hosszabb ideig frissebb maradhat.



Állítható polcok

A polcok magasságát az Ön tárolási igényeihez igazíthatja.

1. Egy polc áthelyezéséhez először emelje fel a hátsó szélét (1), majd húzza ki a polcot (2).
2. A visszaszereléshez helyezze mindkét oldalon a fülékre, és tolja a leghátsó helyzetbe, amíg a polc hátulja nem rögzül az oldalsó nyílásokban



Megjegyzés:

Győződjön meg arról, hogy a polc mindegyik éle vízszintesen helyezkedik el.

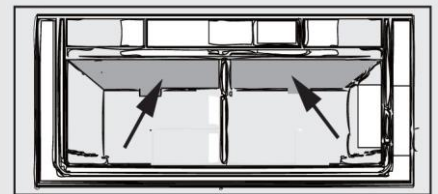
Humidity zone fiók

Ebben a rekeszben a páratartalom 85% körül van. Automatikusan vezérli a rendszer, és a rekesz gyümölcsök, zöldségek, saláták stb. tárolására alkalmas.



Megjegyzés:

- ▶ Ne távolítsa el a műanyag fedelet a két zónán belül. Ezek segítenek a páratartalom fenntartásában.
- ▶ A hidegre érzékeny gyümölcsök, így például az ananász, az avokádó, a banán, a grapefruit és a zöldségek, mint például a burgonya, padlizsán, bab, uborka, cukkini, paradicsom és sajt nem tárolható ebben a két fiókban.

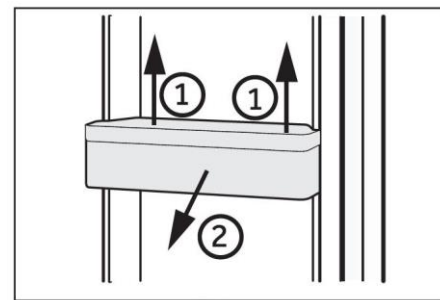


Levehető ajtópolcok

Az ajtó polcai tisztítás céljából eltávolíthatók:

Tegye a kezét az állvány két oldalára, emelje fel (1), majd húzza ki a polcot (2).

Az ajtópolc behelyezéséhez hajtsa végre a fenti lépéseket fordított sorrendben.

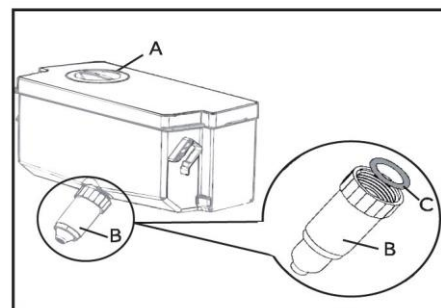


Eltávolítható víztartály

A víztartály eltávolítható és visszaszerelhető a tisztítás megkönnyítése érdekében, visszahelyezése ugyanúgy történik, mint az ajtópolcok esetében.

Víztartály behelyezése

Tegye be a víztartályt úgy, hogy a vízkimenet (B) illeszkedjen az ajtónyíláshoz. Bizonyosodjon meg a víztartály rögzüléséről.



Megjegyzés: Víztartály

Győződjön meg arról, hogy a kifolyócső szorosan felcsavarta a víztartályra, és a fehér O-gyűrű (C) a helyén van.

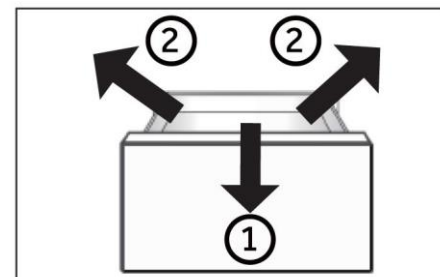
Ha a víztartály nem illeszkedik megfelelően, víz csepeghet a csatlakozásnál.

A víztartály eltávolításakor vagy visszaszerelésekor ne használjon túlzott erőt, így megelőzheti a tartály károsodását.

Kivehető fagyasztófiók

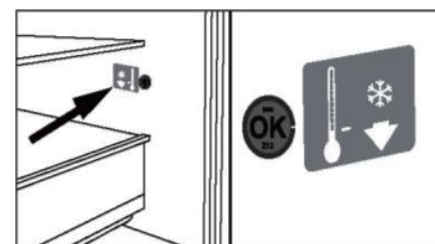
A fiók eltávolításához húzza ki azt a végpontig (1), majd emelje fel és vegye ki (2).

A fiók behelyezéséhez hajtsa végre a fenti lépéseket fordított sorrendben.



OPCIONÁLIS: OK-hőmérséklet jelző

Az OK-hőmérséklet jelző +4°C alatti hőmérsékletek meghatározására használható. Fokozatosan csökkentse a hőmérsékletet, ha a jel nem azt jelzi, hogy az OK."



A világítás

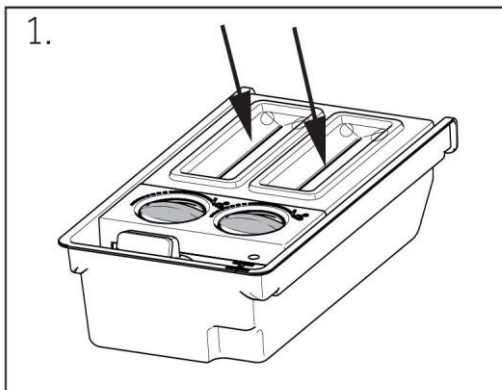
A LED-es belső világítás az ajtó kinyitásakor bekapcsol, és automatikusan kialszik, ha az ajtó 7 percnél hosszabb ideig nyitva marad. A lámpák teljesítményét a készülék semmilyen egyéb beállítása nem befolyásolja.



Energiatakarékosági tippek

- ▶ Bizonyosodjon meg arról, hogy a készülék megfelelő szellőzéssel rendelkezik (lásd BESZERELÉS).
- ▶ Ne szerelje be a készüléket közvetlen napsugárzásnak kitett helyre vagy hőforrások (pl. kályhák, fűtőberendezések) közelébe.
- ▶ Kerülje a szükségtelenül alacsony hőmérsékletet a készülékben. Minél alacsonyabb hőmérsékletet állít be, annál jobban növekszik az energiafogyasztás.
- ▶ Az olyan funkciók, mint a Super-Freeze, magasabb energiafogyasztást eredményeznek.
- ▶ Mielőtt a készülékbe tenné, hagyja, hogy a meleg ételmezszer kihűljön.
- ▶ Minél kevésbé és minél rövidebb ideig nyissa ki a készülék ajtaját.
- ▶ Ne töltsé túlságosan meg a készüléket, mivel ez akadályozza a légáramlást.
- ▶ Kerülje, hogy levegő legyen az ételmezszer csomagolásában.
- ▶ Az ajtó tömítéseket tartsa tisztán, hogy az ajtó mindig megfelelően becsukódhasson.
- ▶ A fagyos ételmezszer a hűtőrekeszben olvassza ki.
- ▶ Az energiatakarékoság szempontjából leghatékonyabb konfiguráció biztosításához a készüléknek gyári állapotú és tisztaságú fiókokra, ételmezszerdobozokra, polcokra van szüksége, és az ételmezszer úgy kell elhelyezni, hogy az a legkevésbé korlátozza a levegőáramlást a légcsatorna levegőkimeneteinél.

Jégkockakészítő

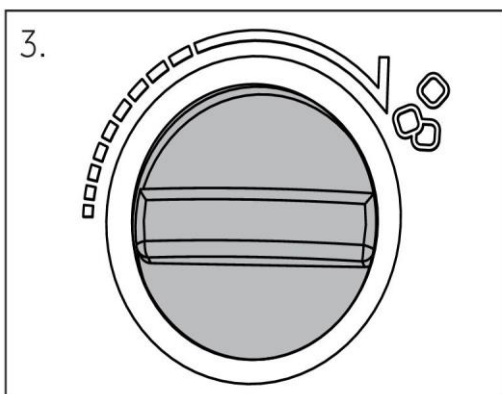


1. Töltsön friss ivóvizet minden jégkészítő dobozba a mérőpohár belsejében lévő skálajelnek megfelelően, ne lépje túl a skálajelét



Megjegyzés:

Ne tegyen vizet a 2 gomb közé, ellenkező esetben a gombok megfagyhatnak, és a jégkockák nem tudnak kiesni a tárolódobozba.



2. Tegye a dobozt a fagyasztó rekeszbe.
3. Miután a víz jéggé válik, vegye ki a jégkockakészítőt a készülékből, és kézzel forgassa el a gombot. Ezután a jégkockák automatikusan a jégdobozba esnek. Távolítsa el a fedelet, és vegye ki a jégkockákat.



FIGYELMEZTETÉS!

Tisztítás előtt válassza le a hálózatról a készüléket.

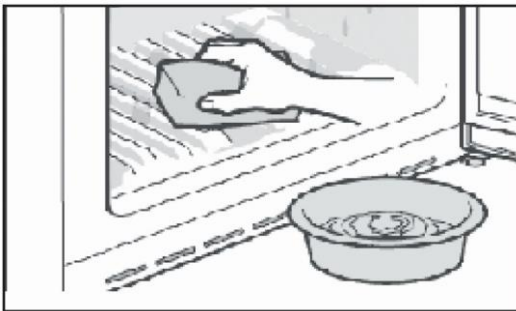
Tisztítás

Akkor tisztítsa meg a készüléket, amikor kevés vagy semmilyen élelmiszer nem található benne. A készüléket tisztítsa meg négyhetente a megfelelő karbantartás jegyében, illetve megelőzendő a kellemetlen élelmiszer illatok kialakulását.



FIGYELMEZTETÉS!

- ▶ Ne tisztítsa a készüléket keménysörtés kefékkel, drótkefékkel, mosóporral, benzinnel, ammóniacetáttal, acetonnal és hasonló szerves oldatokkal, valamint savas vagy lúgos oldatokkal. A károsodások elkerülése érdekében a hűtőszekrény tisztítását speciális, adott célra kialakított tisztítószerrel végezze.
- ▶ Tisztítás közben ne permetezze vagy öblítse le a készüléket.
- ▶ Ne használjon vízpermetet vagy gőzt a készülék tisztításához.
- ▶ A hideg üvegpalcokat ne tisztítsa forró vízzel. A hirtelen hőmérséklet-változás nyomán az üveg megrepedhet.
- ▶ Ne érintse meg a fagyasztórekesz belső felületét, különösen nedves kézzel, mert a keze a felülethez fagyhat.
- ▶ Felmelegítés esetén ellenőrizze a fagyasztott áruk állapotát.

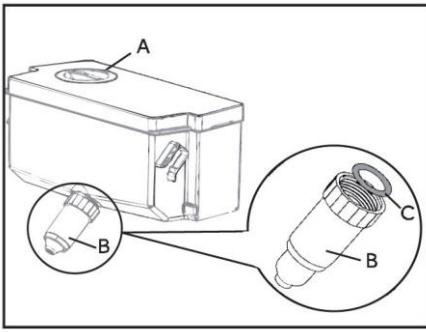


- ▶ Mindig tartsa tisztán az ajtó tömitést.
 - ▶ Tisztítsa meg a készülék belsejét és burkolatát meleg vízzel és semleges tisztítószerrel átnedvesített szivaccsal.
1. Tisztítsa meg a hűtőszekrény belsejét és külsejét, beleértve az ajtó tömitést, az ajtó polcot, az üvegpalcokat, a dobozokat és így tovább, puha törölkendővel vagy meleg vízbe mártott szivaccsal (a művelethez a meleg vízbe elegyíthet semleges tisztítószerrel).
 2. Ha folyadék ömlött ki, távolítsa el az összes szennyezett alkatrészt, öblítse át ezeket közvetlenül folyó víz alatt, majd szárítsa meg és tegye vissza az alkatrészeket a hűtőbe.
 3. Krémszerű termékek (például tejszín, olvadó jégkrém) kiömlése esetén, kérjük, távolítsa el az összes szennyezett alkatrészt, helyezze adott időtartamra meleg, kb. 40 °C-os vízbe, majd öblítse át folyó vízzel, szárítsa meg, és tegye vissza a hűtőszekrénybe.
 4. Abban az esetben, ha egy kisebb alkatrész vagy alkotóelem reked a hűtőszekrény belsejébe (a polcok vagy fiókok közé), az eltávolításhoz kis puha keféet használjon. Ha az alkatrész nem elérhető, kérjük, vegye fel a kapcsolatot a Haier szervizzel.
- ▶ Öblítse le a felületeket, majd törölje szárazra egy puha törölkendővel.
 - ▶ A készülék egyetlen részét vagy tartozékát se tisztítsa mosogatógéppben.
 - ▶ A készülék újraindítása előtt várjon legalább 5 percet, mivel a készülék gyakori indítása során károsodhat a kompresszor.

Leolvasztás

A hűtőszekrény és a fagyasztó rekeszek kiolvasztása automatikusan történik: nincs szükség felhasználói beavatkozásra.

A víztartály tisztítása



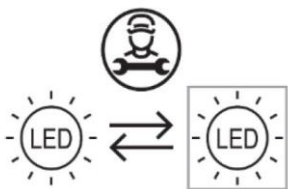
1. Vegye ki a víztartályt a készülékből.
2. Távolítsa el a fedelet (A).
3. Csavarja le az adagoló kifolyócsövet (B).
4. Tisztítsa meg a tartályt és a kifolyócsövet meleg víz és folyékony mosogatószer segítségével. Győződjön meg róla, hogy az összes szappant leöblítette.
5. Szerelje fel az adagoló kifolyócsövet (B), és ügyeljen arra, hogy biztosan illeszkedjen a víztartályhoz, és a fehér O-gyűrű (C) a helyén legyen.
6. Cukja be a fedelet (A), és helyezze vissza a tartályt a készülék belsejébe.



Megjegyzés: Víztartály

Ha a víztartály nem illeszkedik megfelelően, víz csepeghet a csatlakozásnál. A víztartály eltávolításakor vagy visszaszerelésekor ne használjon túlzott erőt a károsodás megelőzése érdekében.

A LED-es lámpák cseréje



Szakember által cserélhető (csak LED-es) fényforrással

A termék G energiahatékonysági osztályba sorolt fényforrást tartalmaz.

Rekesz	Feszültség	Max. teljesítmény	Energiahatékonysági osztály	Modell
Hűtőberendezés	12 V-os egyenáram	5 W	G	HCW58F18EWMP

Hosszabb használaton kívüli időszak

Ha a készüléket hosszabb ideig nem használja, csak a Holiday funkciót használja, vagy a hűtőszekrény készüléket kikapcsolt hűtőszekrény funkció mellett fogja használni:

- ▶ Vegye ki az ételt.
- ▶ Húzza ki a tápkábelt.
- ▶ Üritse ki és tisztítsa meg a víztartályt.
- ▶ Tisztítsa meg a készüléket a fent leírtak szerint.
- ▶ A kellemetlen szagok készüléken belüli megjelenésének elkerülése érdekében hagyja nyitva az ajtókat.



Megjegyzés

Csak akkor kapcsolja ki a készüléket, ha feltétlenül szükséges.

A készülék mozgatása

1. Távolítsa el az összes élelmiszert, és húzza ki a készülék csatlakozódugóját.
2. Rögzítse a polcokat és az egyéb mozgatható alkatrészeket a hűtőben és a fagyasztoiban szigetelőszalaggal.
3. A hűtőrendszer károsodásának az elkerülése érdekében ne döntse meg a hűtőberendezést 45°-nál nagyobb szögben.

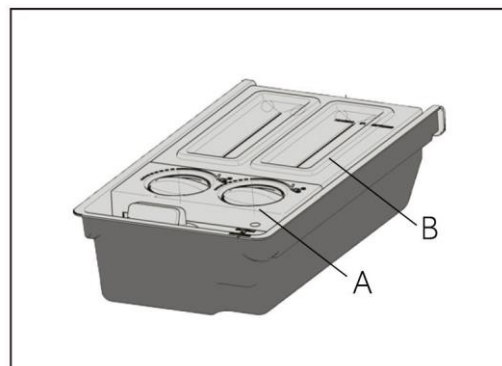


FIGYELMEZTETÉS!

- ▶ Ne emelje a készüléket a fogantyútól.
- ▶ Soha ne fektesse a készüléket vízszintesen a földre.

A jégkockakészítő tisztítása

1. Vegye ki a jégkockakészítőt a készülékből.
2. Távolítsa el a fedelet (A) és (B).
3. Tisztítsa meg a jégkockakészítőt meleg vízzel és folyékony mosogatószerrel. Győződjön meg róla, hogy az összes szappant leöblítette.
4. Csukja be a fedeleket, töltse fel ivóvízzel, és tegye vissza a jégkockakészítőt a készülék belsejébe.



Sok felmerülő problémát saját maga is megoldhat speciális szakértelem nélkül. Probléma felmerülése esetén ellenőrizze az összes felsorolt lehetőséget, és kövesse az alábbi utasításokat, mielőtt felvenné a kapcsolatot egy ügyfélszolgálattal. Lásd az ÜGYFÉLSZOLGÁLAT részt.



FIGYELMEZTETÉS!

- ▶ Karbantartás előtt kapcsolja ki a készüléket, és húzza ki a hálózati dugaszt a hálózati aljzatból.
- ▶ Az elektromos berendezéseket csak szakképzett villamossági szakemberek szervizelhetik, mert a nem megfelelő javítások jelentős károkat okozhatnak.
- ▶ Sérült tápkábel esetén a veszély elkerülése érdekében cseréltesse ki azt a gyártóval, a gyártó szervizközpontjával vagy más szakemberrel.

Probléma	Lehetséges ok	Lehetséges megoldás
A kompresszor nem működik.	<ul style="list-style-type: none"> • A hálózati dugasz nem csatlakozik a hálózati aljzathoz. • A készülék leolvasztási ciklust végez 	<ul style="list-style-type: none"> • Csatlakoztassa a hálózati csatlakozódugót. • Ez természetes jelenség automatikus leolvasztásnál
A készülék gyakran bekapcsol vagy túlságosan hosszú ideig üzemel.	<ul style="list-style-type: none"> • A beltéri vagy kültéri hőmérséklet túl magas. • A készülék hosszabb ideig kikapcsolt állapotban volt. • Egy ajtó a készülékben nem záródik megfelelően. • Az ajtót túlságosan gyakran nyitotta ki, vagy túlságosan sokáig tartotta nyitva. • A fagyasztórekesz hőmérsékletének a beállítása túl alacsony. • Az ajtó tömítése szennyezett, kopott, repedt vagy nem megfelelő. • A szükséges szellőzés nem biztosított. 	<ul style="list-style-type: none"> • Ebben az esetben természetes, hogy a készülék üzemideje megnövekedett. • Normál esetben 8 és 12 óra közötti időtartam szükséges a készülék teljes lehűléséhez. • Csukja be az ajtót/fiókot, és bizonyosodjon meg arról, hogy a készülék egyenes felületen található, és hogy élelmiszer vagy tárolóedény nem akadályozza az ajtó záródását. • Ne nyissa ki az ajtót/fiókot túl gyakran. • Állítsa a hőmérsékletet magasabbra, amíg a hűtőszekrény hőmérséklete megfelelő nem lesz. A hűtőszekrény hőmérsékletének a stabilizálódása 24 órát vesz igénybe. • Tisztítsa meg az ajtó tömítését, vagy cserélje ki ezt az ügyfélszolgálat bevonásával. • Bizonyosodjon meg arról, hogy megfelelő a szellőzés.
A hűtőberendezés belső része szennyezett és/vagy kellemetlen szagú.	<ul style="list-style-type: none"> • A hűtőszekrény belső része tisztítást igényel. • Erős illatú élelmiszert tárol a hűtőberendezésben. 	<ul style="list-style-type: none"> • Tisztítsa meg a hűtőszekrény belső részét. • Alaposan csomagolja be az élelmiszert.

Probléma	Lehetséges ok	Lehetséges megoldás
Nincs elég hideg a készülék belsejében.	<ul style="list-style-type: none"> A beállított hőmérséklet túl magas. Túl meleg árukat helyezett a készülékbe. Túl sok ételt helyezett egyszerre a készülékbe. Az élelmiszert egymáshoz túl közel helyezte. Egy ajtó/fiók a készülékben nem záródik megfelelően. Az ajtót/fiókot túlságosan gyakran nyitotta ki, vagy túlságosan sokáig tartotta nyitva. 	<ul style="list-style-type: none"> Állítsa vissza a hőmérsékletet. Tárolás előtt mindig hagyja lehűlni az élelmiszert. Az élelmiszereket mindig kis mennyiségben helyezze be. Hagyjon rést az élelmiszerek között, ami lehetővé teszi a levegő áramlását. Csukja be az ajtót/fiókot. Ne nyissa ki az ajtót/fiókot túl gyakran.
Túl hideg van a készülék belsejében.	<ul style="list-style-type: none"> A beállított hőmérséklet túl alacsony. A Super-Frz/Super-Cool funkció aktív, vagy túl sokáig működik. 	<ul style="list-style-type: none"> Állítsa vissza a hőmérsékletet. Kapcsolja ki a Super-Frz/Super-Cool funkciót
Pára csapódik le a hűtőrekesz belső részén.	<ul style="list-style-type: none"> Az éghajlat túl meleg vagy túl nedves. Egy ajtó/fiók a készülékben nem záródik megfelelően. Az ajtót/fiókot túlságosan gyakran nyitotta ki, vagy túlságosan sokáig tartotta nyitva. Étel- vagy folyadéktárolók nyitott állapotban maradtak a hűtőben. 	<ul style="list-style-type: none"> Növelje a hőmérsékletet. Csukja be az ajtót/fiókot. Ne nyissa ki az ajtót/fiókot túl gyakran. A forró élelmiszereket hagyja szoba-hőmérsékletre hűlni, illetve fedje le az élelmiszereket és folyadékokat.
Nedvesség gyűlik fel a hűtőberendezés külső felületén vagy az ajtó/ajtók és a fiók között.	<ul style="list-style-type: none"> Az éghajlat túl meleg vagy túl nedves. Az ajtó nincs megfelelően becsukva. A készülékben lévő hideg levegő és az azon kívüli meleg levegő páralecsapódást eredményez. 	<ul style="list-style-type: none"> Ez természetes jelenség nedves éghajlati viszonyok között, és megszűnik, amint csökken a páratartalom. Bizonyosodjon meg arról, hogy megfelelően becsukta az ajtót/fiókot.
Vastag jég és zúzmara található a fagyasztórekeszben.	<ul style="list-style-type: none"> Az élelmiszereket nem csomagolta be megfelelően. Egy ajtó/fiók a készülékben nem záródik megfelelően. Az ajtót/fiókot túlságosan gyakran nyitotta ki, vagy túlságosan sokáig tartotta nyitva. Az ajtó/fiók tömítése szennyezett, kopott, repedt vagy nem megfelelő. Valami belülről megakadályozza az ajtó/fiók megfelelő záródását. 	<ul style="list-style-type: none"> Mindig csomagolja be alaposan az élelmiszereket. Csukja be az ajtót/fiókot. Ne nyissa ki az ajtót/fiókot túl gyakran. Tisztítsa meg az ajtó/fiók tömítését, vagy cserélje ki ezt újjal. Helyezze vissza a polcokat, az ajtópolcokat vagy belső tartályokat, hogy az ajtó/fiók becsukódhasson.

Probléma	Lehetséges ok	Lehetséges megoldás
A szekrény oldalai és az ajtó tömítés felmelegedik.	<ul style="list-style-type: none"> - 	<ul style="list-style-type: none"> Ez természetes jelenség.
A készülék rendellenes hangokat ad ki.	<ul style="list-style-type: none"> A készülék nem vízszintes talajon helyezkedik el. A készülék hozzáér valamilyen körülötte lévő tárgyhoz. 	<ul style="list-style-type: none"> Állítsa be a lábakat a készülék szintbe állításához. Távolítsa el a készülék mellett lévő tárgyakat.
Az áramló vízhez hasonló halk hang hallható.	<ul style="list-style-type: none"> - 	<ul style="list-style-type: none"> Ez természetes jelenség.
Riasztó hangjelzése hallható.	<ul style="list-style-type: none"> A hűtőrekesz ajtója nyitva maradt. 	<ul style="list-style-type: none"> Csukja be az ajtót.
Halk zümmögés hallható.	<ul style="list-style-type: none"> A kondenzációgátló rendszer működik 	<ul style="list-style-type: none"> Ez megakadályozza a páralecsapódást és normális
A belső világítás vagy hűtőrendszer nem működik.	<ul style="list-style-type: none"> A hálózati dugasz nem csatlakozik a hálózati aljzathoz. Az áramellátás nem megfelelő. A LED-es lámpa meghibásodott. 	<ul style="list-style-type: none"> Csatlakoztassa a hálózati csatlakozódugót. Ellenőrizze a helyiség áramellátását. Vegye fel a kapcsolatot a helyi áramszolgáltatóval! Vegye fel a kapcsolatot a szervizzel a lámpa kicseréléséhez.

A műszaki támogatással való kapcsolatfelvételhez látogassa meg a következő oldalt: <https://corporate.haier-europe.com/en/>

A „webhely” (website) rész alatt válassza ki a termék márkáját és országát. Az oldal átirányítja az adott webhelyre, ahol megtalálható a műszaki támogatás eléréséhez szükséges telefonszám és űrlap.

Tápellátás megszakadása

Tápkimaradás esetén az élelmiszer biztonságos hidegben marad megközelítőleg 5 órán át. Hosszabb tápkimaradás esetén, különösen nyáron, kövesse az alábbi tippeket:

- ▶ Minél kevesebbszer nyissa ki az ajtót/fiókot.
- ▶ Tápkimaradás esetén ne tegyen további élelmiszereket a készülékbe.
- ▶ Ha a szolgáltató előzetesen tájékoztat a várható tápkimaradásról, és ha a tápkimaradás időtartama meghaladja az 5 órát, gyártson némi jeget, és helyezze a hűtőrekesz felső részébe.
- ▶ A megszakítást követően azonnal vizsgálja meg az élelmiszert.
- ▶ Mivel a hűtőszekrényben a hőmérséklet áramkimaradás vagy egyéb meghibásodás esetén emelkedni fog, a tárolási időtartam és az élelmiszer fogyaszthatósági időtartama lecsökken. Röviddel a kimaradást követően a kiolvadt élelmiszert fogyassza el, vagy főzze meg, és fagyassza le ismét (ha lehetséges) az egészségügyi kockázatok elkerülése érdekében.

Memória funkció áramkimaradás esetén

Az áramellátás helyreállítása után a készülék az áramkimaradás előtt meghatározott beállításokkal folytatja a működést.

Kicsomagolás



FIGYELMEZTETÉS!

- ▶ A készülék nehéz. A készülék mozgatásához mindig legalább két személy szükséges.
- ▶ Tartson minden csomagolóanyagot gyermekektől elzárva, kiselejtezésüket pedig környezetbarát módon végezze.
- ▶ Vegye ki a készüléket a csomagolásból.
- ▶ Távolítsa el az összes csomagolóanyagot.

Környezeti körülmények

A szobahőmérsékletnek mindig 10 °C és 43 °C között kell lennie, mivel befolyásolhatja a készülék belsejének hőmérsékletét és energiafogyasztását. Szigetelés nélkül ne telepítse a készüléket egyéb hőkibocsátó készülékek (sütők, hűtőgépek) közelébe.

Helyigény

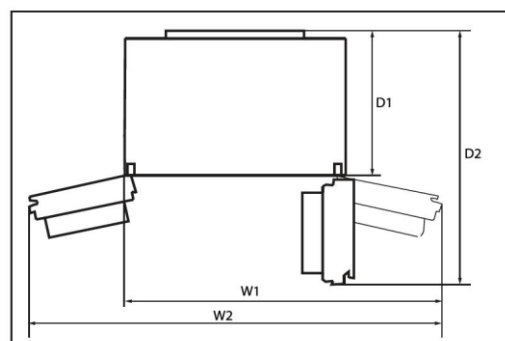
Szükséges hely ajtónyitáshoz:

Sz1=1076 mm

Sz2=1360 mm

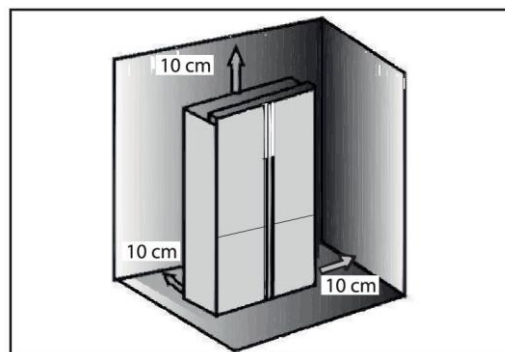
M1=628 mm

M2=1064 mm



Szellőzőnyílás keresztmetszete

A készülék számára biztonsági okokból szükséges szellőzése érdekében kötelezően vegye figyelembe a szellőzés keresztmetszetére vonatkozó tájékoztatást.

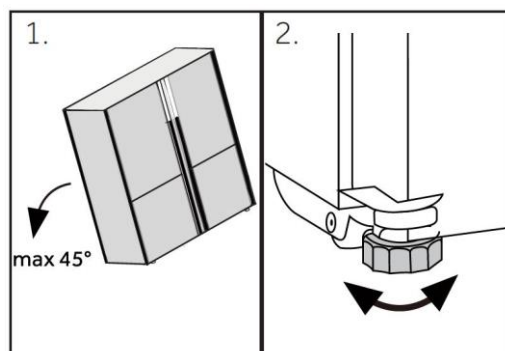


A készülék elhelyezése

A készüléket sík és szilárd felületre telepítse.

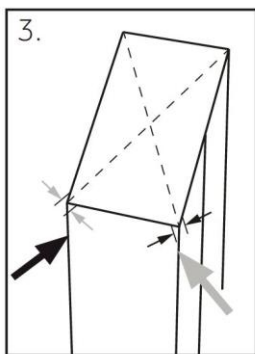
1. Döntse a hűtőszekrényt kissé hátrafelé.
2. Állítsa a lábakat a kívánt szintre.

Bizonyosodjon meg arról, a zsanér felőli oldalon a fal legalább 10 cm-re található, így biztosítható az ajtó megfelelő nyithatósága.

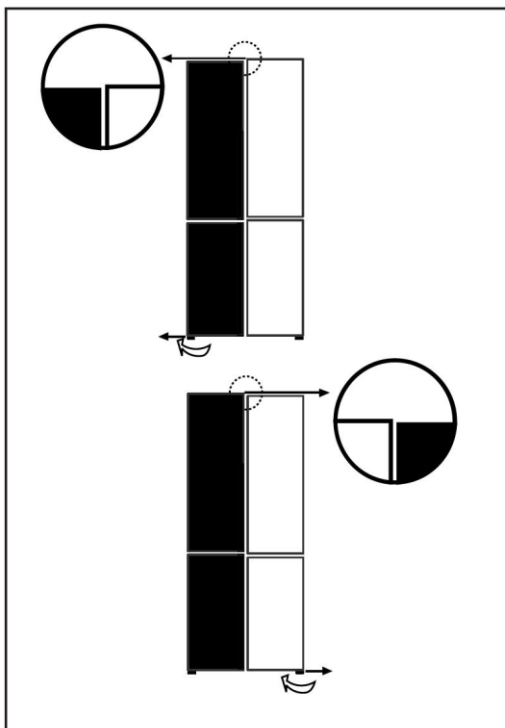


Megjegyzés:

Önálló készülékek esetén: ez a hűtőberendezés kialakításából adódóan nem arra készült, hogy beépíthető készülékként használják



1. A stabilitást ellenőrizheti, ha az átlók mentén nyomást helyez a készülékre. A kis lengésnek mindkét irányban azonosnak kell lennie. Ellenkező esetben a keret görbülhet; ez pedig esetleg szivárgó ajtó tömítéseket eredményezhet. Az enyhe hátradőlés elősegíti az ajtók bezáródását.



Az ajtók finomhangolása

Ha az ajtók nincsenek egy szinten, az eltérés a következőkkel orvosolható:

Állítható lábak használata

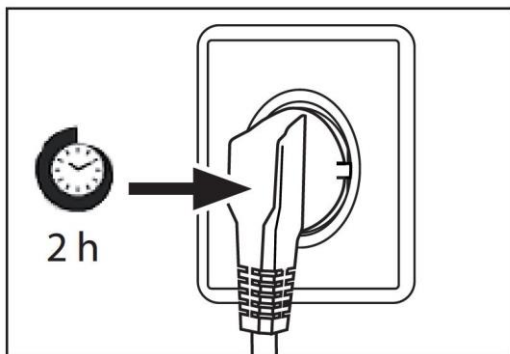
Forgassa el az állítható lábat a nyíl irányának megfelelően a láb magasabbra vagy alacsonyabbra állításához.

Szükség esetén vegye fel a kapcsolatot az ügyfélszolgálattal.



Megjegyzés:

A hűtőszekrény jövőbeni használata során felmerülő, egyenetlenül elhelyezkedő ajtók jelensége a tárolt élelmiszerek tömegének köszönhetően merülhet fel. Ebben az esetben állítsa be az ajtót a fenti módszerekkel.



Várakozási idő

Karbantartásmentes kenőolaj található a kompresszorban kialakított gyűjtőedényben. Ferde szállítás esetén ez az olaj a zárt csőrendszerbe juthat. Mielőtt tápellátáshoz csatlakoztatná a készüléket, mindenképpen várjon legalább 2 órát, hogy az olaj visszajusson a gyűjtőedénybe.

Elektromos csatlakoztatás

Minden egyes csatlakoztatás előtt ellenőrizze az alábbiakat:

- ▶ tápellátás, aljzat és biztosíték megfelelősége az adattáblán szereplő adatoknak;
- ▶ a tápaljzat földeléssel rendelkezik, és nem használ többcsatlakozós hosszabbítót a tápellátáshoz;
- ▶ a tápdugasz és az aljzat teljes mértékben illeszkedik egymáshoz.


Csatlakoztassa a csatlakozódugót egy megfelelően beépített háztartási aljzathoz.



FIGYELMEZTETÉS!

A kockázatok elkerülése érdekében a sérült tápkábelt kötelezően ki kell cserélni, ezt pedig csak az ügyfélszolgálat munkatársa végezheti el (lásd a jótállási jegyet).

Az (EU) 2019/2016 előírásnak megfelelő termékadatlap

Márka	Haier
Modellnév/azonosító	HCW58F18EWMP
Modelllkategória	Hűtő-fagyasztó
Energihatékonysági osztály	E
Éves energiafogyasztás (kWh/év)(1)	297
Össztérfogat (l)	507
Hűtőszekrény térfogata (l)	321
Fagyasztó térfogata (l)	87
Változtatható hőmérsékletű rekesz térfogata (l)	99
Csillaggal történő megjelölés	
Egyéb rekeszek hőmérséklete > 14 °C	Nem vonatkozik
Fagymentes rendszer	Igen
Fagyasztási kapacitás (kg/24 ó)	6
Éghajlati besorolás(2)	SN-N-ST
Zajkibocsátási osztály és levegőben terjedő akusztikus zajkibocsátás (db(A) re 1pW)	C(38)
Hőmérséklet-emelkedési idő (ó)	9
A berendezés típusa	önálló
Egyebek	-

Magyarázatok:

• Igen, támogatott

(1) 24 órás szabványos megfelelőségi vizsgálat eredményei alapján. A tényleges fogyasztás függ a készülék használatától és helyétől.

(2) SN éghajlati besorolás: A készüléket +10 °C és +32 °C közötti környezeti hőmérsékleten való használatra tervezték.

N éghajlati besorolás: A készüléket +16 °C és +32 °C közötti környezeti hőmérsékleten való használatra tervezték.

ST éghajlati besorolás: A készüléket +16 °C és +38 °C közötti környezeti hőmérsékleten való használatra tervezték.

T éghajlati besorolás: A készüléket +16 °C és +43 °C közötti környezeti hőmérsékleten való használatra tervezték.

Kiegészítő műszaki adatok

Feszültség / Frekvencia	220-240 V váltóáram / 50 Hz
Bemeneti áramerősség (A)	1.5
Fő biztosíték (A)	16
Hűtőfolyadék	R600a
Méret (Ma/Sz/Mé mm-ben)	1775 / 830 / 705

Figyelmébe ajánljuk a Haier ügyfélszolgálat és az eredeti pótalkatrészek igénybe vételét. Ha probléma merül fel a készülékkel, először tekintse át a HIBAELHÁRÍTÁS részt.

Ha ebben nem talál megoldást, lépjen kapcsolatba

- ▶ a helyi márkakereskedővel vagy
- ▶ európai telefonos ügyfélszolgálati központunkkal (lásd alább a felsorolt telefonszámokat) vagy
- ▶ a www.haier.com oldalon található Szerviz és támogatás (Service & Support) területen, ahol aktiválhatja a szervizelési
- ▶ igényt, illetve megtalálhatja a GYIK oldalt.

A szerviz szolgáltatásunkkal való kapcsolatfelvétel előtt bizonyosodjon meg arról, hogy elérhetők az alábbi adatok.

Az információ az adattáblán található.

Modell _____

Sorozatszám _____

Jótállási igény felmerülése esetén ellenőrizze a termékhez mellékelt jótállási kártyát is.

Európai telefonos ügyfélszolgálati központ		
Ország*	Telefonszám	Költségek
Haier Italy (IT)	199 100 912	
Haier Spain (ES)	902 509 123	
Haier Germany (DE)	0180 5 39 39 99	<ul style="list-style-type: none"> • 14 cent/perc vezetékes • max 42 cent/perc mobil
Haier Austria (AT)	0820 001 205	<ul style="list-style-type: none"> • 14,53 cent/perc vezetékes • max 20 cent/perc összes egyéb
Haier United Kingdom (UK)	0333 003 8122	
Haier France (FR)	0980 406 409	

* További országokért látogasson el a www.haier.com oldalra

Haier Europe Trading S.r.l

Branch UK

Westgate House, Westgate, Ealing

London, W5 1YY

*A hűtőszekrény jótállásának időtartama:

Minimális jótállás: 2 év az uniós tagállamokban, 3 év Törökországban, 1 év az Egyesült Királyságban, 1 év Oroszországban, 3 év Svédországban, 2 év Szerbiában, 5 év Norvégiában, 1 év Marokkóban, 6 hónap Algériában, Tunézia nincs kötelező jogi jótállás.

*A készülék javításához szükséges pótalkatrészek rendelkezésre állásának időtartama:

Termosztátok, hőmérséklet érzékelők, nyomtatott áramköri lapok és fényforrások legalább hét évig elérhetők a piacra bocsátott utolsó modelltől számítva.

Ajtófogantyúk, ajtópántok, tálcák és kosarak legalább hét évig, míg ajtótomítések legalább 10 évig elérhetők a piacra bocsátott utolsó modelltől számítva.

*A termékre vonatkozó további tájékoztatás ügyében tekintse meg az <https://eprel.ec.europa.eu/> oldalt, vagy olvassa be a készüléken elhelyezett, energiafogyasztást jelölő címkén található QR-kódot.

2022, B verzió

Haier Smart Home Co.,Ltd.
No.1 Haier Road,Haier Industry Park,Hi-Tech Zone,
266103 Qingdao,Shandong,China
MADE IN CHINA

Haier



0060535245



Manuale dell'utente

Frigorifero-Congelatore

HCW58F18EWMP

IT

Haier

Grazie per aver acquistato un prodotto Haier.

Leggere attentamente queste istruzioni prima di utilizzare l'elettrodomestico. Le istruzioni contengono informazioni importanti per ottimizzare l'uso dell'elettrodomestico e garantire l'installazione, l'uso e la manutenzione sicuri e corretti.

Conservare il presente manuale in un luogo comodo, in modo da poterlo sempre consultare per un uso sicuro e corretto dell'elettrodomestico.

Se l'elettrodomestico viene venduto, ceduto o abbandonato in caso di trasloco, trasferire anche il presente manuale in modo che il nuovo proprietario possa comprendere l'uso dell'elettrodomestico e delle avvertenze di sicurezza.

Legenda



Avvertenza - Informazioni importanti per la sicurezza



Informazioni generali e consigli



Informazioni ambientali

Smaltimento



Contribuire a proteggere l'ambiente e la salute umana. Collocare l'imballo in appositi contenitori affinché venga riciclato. Contribuire al riciclo dei rifiuti delle apparecchiature elettriche ed elettroniche. Non smaltire gli elettrodomestici contrassegnati con questo simbolo assieme ai rifiuti domestici. Conferire il prodotto presso la struttura di riciclo locale o rivolgersi all'ufficio comunale preposto.



AVVERTENZA!

Pericolo di lesioni o soffocamento!

I refrigeranti e i gas devono essere smaltiti in maniera professionale. Accertarsi che la tubazione del circuito del refrigerante non sia danneggiata prima di smaltirla correttamente. Scollegare l'elettrodomestico dalla rete elettrica. Tagliare il cavo di alimentazione e smaltirlo. Rimuovere vassoi e cassette, fermaporte e guarnizioni, per evitare che bambini e animali domestici rimangano chiusi nell'elettrodomestico.

Informazioni per la sicurezza	4
Descrizione del prodotto.....	10
Pannello di controllo	11
Utilizzo.....	12
Dotazioni	26
Cura e pulizia.....	29
Soluzione dei problemi.....	32
Installazione	35
Dati tecnici.....	38
Assistenza clienti	40

Accessori

Controllare gli accessori e la documentazione in base al seguente elenco:



Macchina per il ghiaccio con paletta



3 distanziatori



Etichetta energetica



Scheda della garanzia



Manuale per l'utente
Etichetta "OK"
manuale per l'utente

Nota: Solo per il modello HCW58F18EWMP

Prima di accendere l'elettrodomestico per la prima volta, leggere i seguenti consigli sulla sicurezza:



AVVERTENZA!

Operazioni preliminari al primo utilizzo

- ▶ Accertarsi dell'assenza di danni dovuti al trasporto.
- ▶ Rimuovere tutti gli elementi di imballo e tenerli fuori dalla portata dei bambini.
- ▶ Per garantire la totale efficienza del circuito del refrigerante, attendere almeno due ore prima di installare l'elettrodomestico.
- ▶ L'elettrodomestico deve essere maneggiato sempre da almeno due persone perché è pesante.

Installazione

- ▶ Installare l'elettrodomestico in un luogo asciutto e ben ventilato. Lasciare uno spazio libero di almeno 10 cm sopra e attorno all'elettrodomestico.
- ▶ Non collocare mai l'elettrodomestico in zone umide o soggette a schizzi d'acqua. Pulire e asciugare schizzi e macchie d'acqua con un panno morbido e pulito.
- ▶ Non installare l'elettrodomestico esposto alla luce diretta del sole o in prossimità di fonti di calore (ad es. stufe o radiatori).
- ▶ Installare l'elettrodomestico a livello in un'area adatta alle dimensioni e all'uso.
- ▶ **AVVERTENZA:** Le aperture di ventilazione nell'elettrodomestico o nella struttura a incasso devono rimanere sempre libere.
- ▶ Accertarsi che i dati elettrici sulla targhetta siano conformi all'alimentazione elettrica. In caso contrario, rivolgersi a un elettricista.
- ▶ L'elettrodomestico funziona con corrente elettrica 220-240 Vca / 50 Hz. Oscillazioni anomale della tensione possono causare il mancato avvio dell'elettrodomestico, danni al controllo della temperatura o al compressore oppure rumori anomali durante il funzionamento. In tal caso, è opportuno montare un regolatore automatico.
- ▶ Non adoperare prese multiple o cavi di prolunga.
- ▶ **AVVERTENZA:** non collocare prese multiple o alimentatori portatili nella parte posteriore dell'elettrodomestico.
- ▶ **AVVERTENZA:** quando l'elettrodomestico viene collocato nella sede prescelta, accertarsi che il cavo di alimentazione non sia incastrato o danneggiato.
- ▶ Non calpestare il cavo di alimentazione.
- ▶ Per l'alimentazione elettrica utilizzare una presa separata collegata a terra e facilmente accessibile. L'elettrodomestico deve essere collegato a terra.

**AVVERTENZA!**

► **Solo per il Regno Unito:** il cavo di alimentazione dell'elettrodomestico è dotato di una spina a 3 conduttori (collegata a terra) adatta a una presa standard a 3 conduttori (collegata a terra). Non tagliare né smontare mai il terzo conduttore (collegamento a terra). Dopo l'installazione dell'elettrodomestico, la spina deve essere accessibile.

► **AVVERTENZA:** non danneggiare il circuito di refrigerazione.

Utilizzo quotidiano

► Questo elettrodomestico può essere utilizzato da bambini di almeno 8 anni, da persone con ridotte capacità fisiche, sensoriali o mentali e da persone inesperte solo sotto stretta sorveglianza o se hanno appreso le modalità di utilizzo sicuro dell'elettrodomestico e sono consapevoli dei relativi pericoli.

► Impedire ai bambini di giocare con l'elettrodomestico.

► I bambini di età da 3 a 8 anni possono riempire e svuotare gli elettrodomestici refrigeranti, ma non devono pulirli o installarli.

► Tenere lontano dall'elettrodomestico i bambini di età inferiore a 3 anni, a meno che non siano costantemente sorvegliati.

► La pulizia e la manutenzione non devono essere effettuate da bambini non sorvegliati.

► L'elettrodomestico deve essere posizionato in modo che la spina sia accessibile.

► In caso di perdite di gas illuminante o altri gas infiammabili in prossimità dell'elettrodomestico, chiudere la valvola del gas che fuoriesce, aprire porte e finestre e non staccare la spina del cavo di alimentazione del frigorifero/congelatore o di altri elettrodomestici.

► Si noti che l'elettrodomestico è impostato per il funzionamento nell'intervallo ambiente specifico compreso tra 10 e 38 °C. L'elettrodomestico potrebbe non funzionare correttamente se lasciato per un lungo periodo a una temperatura superiore o inferiore all'intervallo indicato.

► Non collocare elementi instabili (oggetti pesanti, contenitori pieni d'acqua) sopra il frigorifero/congelatore, per evitare lesioni personali dovute a cadute o scosse elettriche causate dal contatto con l'acqua.

► Non caricare eccessivamente gli scaffali dello sportello. Lo sportello potrebbe deformarsi, il portabottiglie potrebbe fuoriuscire o l'elettrodomestico potrebbe rovesciarsi.

► Aprire e chiudere lo sportello solo adoperando le maniglie. La distanza tra lo sportello e il vano è molto limitata. Non mettere le mani in queste zone per evitare che le dita rimangano intrappolate. Aprire o chiudere gli sportelli del frigorifero/congelatore solo quando non ci sono bambini nel raggio di movimento degli sportelli.



AVVERTENZA!

- ▶ Per evitare la contaminazione degli alimenti, attenersi alle seguenti istruzioni:
- ▶ – Se lo sportello rimane aperto a lungo, la temperatura nei compartimenti dell'elettrodomestico aumenta notevolmente.
- ▶ – Pulire regolarmente le superfici che entrano a contatto con gli alimenti e i sistemi di scarico accessibili.
- ▶ – Pulire i serbatoi dell'acqua se non sono stati utilizzati per 48 ore; lavare il sistema idrico collegato alla fonte d'acqua se l'acqua non è stata scaricata per 5 giorni.
- ▶ – Conservare carne e pesce crudi nel frigorifero in contenitori idonei, in modo che non gocciolino o entrino a contatto con altri alimenti.
- ▶ – I compartimenti congelatore a due stelle sono adatti alla conservazione di alimenti precongelati e alla conservazione o preparazione di gelati e cubetti di ghiaccio.
- ▶ – I compartimenti congelatore a una, due o tre stelle non sono adatti al congelamento di alimenti freschi.
- ▶ – Se il frigo deve rimanere vuoto per lunghi periodi, spegnerlo, sbrinarlo, pulirlo, asciugarlo e lasciare lo sportello aperto per evitare lo sviluppo di muffa all'interno.
- ▶ Non riporre nel congelatore bevande o birre imbottigliate, liquidi in bottiglie o lattine (né alcool ad alta gradazione) e specialmente bevande gasate, perché durante il congelamento potrebbero scoppiare.
- ▶ Non collocare sostanze esplosive (ad es. lattine di aerosol con propellente infiammabile) all'interno di questo elettrodomestico.
- ▶ Non conservare medicinali, batteri o sostanze chimiche nell'elettrodomestico. Questo apparecchio è un elettrodomestico. Si sconsiglia di conservare materiali che richiedono temperature rigide.
- ▶ Se la temperatura del congelatore è aumentata, controllare lo stato degli alimenti.
- ▶ Non impostare una temperatura inutilmente bassa nel comparto frigorifero. Con impostazioni elevate possono crearsi temperature sotto zero. Attenzione: le bottiglie possono scoppiare
- ▶ Non toccare i prodotti congelati con le mani bagnate (indossare i guanti). In particolare, non mangiare i ghiaccioli subito dopo averli tolti dal comparto congelatore. In caso contrario, sussiste per la bocca il rischio di congelamento e di formazione di vesciche da gelo. PRONTO SOCCORSO: collocare immediatamente la zona congelata sotto l'acqua fredda corrente. Non strappare la zona congelata!

**AVVERTENZA!**

- ▶ Non toccare la superficie interna del comparto congelatore durante il funzionamento, soprattutto con le mani bagnate, poiché le mani potrebbero congelarsi sulla superficie.
- ▶ In caso di blackout o prima della pulizia, scollegare l'elettrodomestico. Attendere almeno 7 minuti prima di riavviare l'elettrodomestico, poiché un avvio frequente può danneggiare il compressore.
- ▶ **AVVERTENZA:** non adoperare apparecchiature elettriche all'interno dei compartimenti dell'elettrodomestico destinati alla conservazione degli alimenti, a meno che non siano del tipo consigliato dal produttore.

Manutenzione / pulizia

- ▶ Accertarsi che i bambini siano sorvegliati se effettuano la pulizia e la manutenzione.
- ▶ Scollegare l'elettrodomestico dalla rete elettrica prima di effettuare operazioni di manutenzione ordinaria. Attendere almeno 5 minuti prima di riavviare l'elettrodomestico, poiché un avvio frequente può danneggiare il compressore.
- ▶ Quando si scollega l'elettrodomestico, tenere la spina e non il cavo.
- ▶ Non pulire l'elettrodomestico con spazzole rigide, spazzole metalliche, detersivi in polvere, benzina, acetato di pentile, acetone e soluzioni organiche simili, soluzioni acide o alcaline. Per la pulizia adoperare un detersivo speciale per frigoriferi/congelatori per evitare danni. Alla fine utilizzare acqua calda e una soluzione di bicarbonato di sodio (un cucchiaino di bicarbonato di sodio per litro d'acqua). Sciacquare abbondantemente con acqua e asciugare con un panno. Non adoperare detersivi in polvere o altri detersivi abrasivi. Non lavare le parti rimovibili in lavastoviglie.
- ▶ Non raschiare via ghiaccio e brina con oggetti appuntiti. Non adoperare spray, riscaldatori elettrici (ad es. asciugacapelli) o altre fonti di calore per evitare danni ai componenti in plastica.
- ▶ **AVVERTENZA:** non usare oggetti meccanici o utensili diversi da quelli consigliati dal produttore per accelerare lo sbrinamento.
- ▶ Se il cavo di alimentazione è danneggiato, deve essere sostituito dal produttore, da un tecnico dell'assistenza o da una persona con analogha qualifica per evitare rischi.
- ▶ Non cercare di riparare, smontare o modificare personalmente l'elettrodomestico. Per le riparazioni rivolgersi all'assistenza clienti.
- ▶ Se le lampadine sono danneggiate, devono essere sostituite dal produttore, da un tecnico dell'assistenza o da una persona con analogha qualifica per evitare rischi.
- ▶ Eliminare la polvere sul retro dell'unità almeno una volta all'anno per scongiurare il rischio di incendio e limitare i consumi energetici.



AVVERTENZA!

- ▶ Non spruzzare o schizzare liquidi sull'elettrodomestico durante la pulizia.
- ▶ Per pulire questo elettrodomestico non utilizzare apparecchi a vapore.
- ▶ Non pulire i ripiani di vetro freddi o lo sportello di vetro con acqua calda. Un'improvvisa variazione della temperatura può causare la rottura del vetro.
- ▶ Se l'elettrodomestico deve rimanere inutilizzato per lungo tempo, lasciarlo aperto per evitare che all'interno si generino odori sgradevoli.

Informazioni sul gas refrigerante



AVVERTENZA!

L'elettrodomestico contiene il refrigerante infiammabile ISOBUTANO (R600a). Accertarsi che il circuito del refrigerante non abbia subito danni durante il trasporto o l'installazione. Eventuali perdite di refrigerante possono causare lesioni oculari o incendi. In caso di danni, tenere lontane fonti di fiamme libere, ventilare a fondo l'ambiente, **non** collegare o scollegare i cavi di alimentazione dell'elettrodomestico o di altri elettrodomestici. Informare l'assistenza clienti.

In caso di contatto con gli occhi, sciacquare subito con acqua corrente e rivolgersi immediatamente a un oculista.

AVVERTENZA: l'impianto di refrigerazione è ad alta pressione. Non manometterlo. Poiché sono utilizzati refrigeranti infiammabili, l'installazione, la movimentazione e la manutenzione dell'elettrodomestico devono essere effettuate attenendosi scrupolosamente alle istruzioni; per lo smaltimento dell'elettrodomestico, rivolgersi a un professionista o all'assistenza post-vendita.



AVVERTENZA!

Per i frigoriferi con funzione acqua-ghiaccio, prestare attenzione alla seguente avvertenza:

Per gli elettrodomestici non progettati per il collegamento alla rete idrica:

ATTENZIONE: riempire solo con acqua potabile.

Per gli elettrodomestici progettati per il collegamento alla rete idrica:

ATTENZIONE: collegare solo a una fonte di acqua potabile.

Per pulire l'impianto idrico, fare riferimento al manuale per l'utente. In caso di domande, contattare l'assistenza post-vendita.

Uso previsto

Questo elettrodomestico è destinato al raffreddamento e al congelamento di alimenti. È stato progettato esclusivamente per l'uso in applicazioni domestiche e simili, ad es. zone cucina del personale in negozi, uffici e altri ambienti di lavoro; in fattorie, da clienti in hotel, motel e altri ambienti di tipo residenziale, nonché in bed-and-breakfast e attività di ristorazione. Non è destinato ad usi commerciali o industriali.

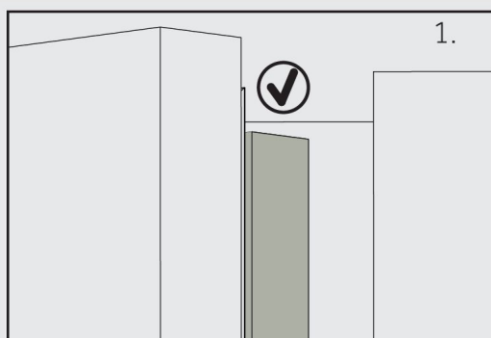
Non sono consentiti cambiamenti o modifiche all'elettrodomestico. Utilizzi errati possono causare pericoli e annullare la garanzia.

Norme e direttive **CE** e **UKCA**

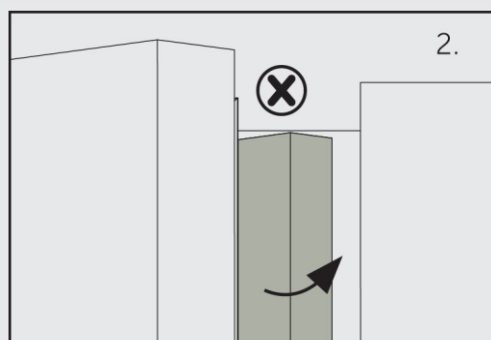
Questo prodotto è conforme ai requisiti di tutte le direttive CE vigenti con le corrispondenti norme armonizzate e le norme del Regno Unito che prevedono il marchio CE e UKCA.



ATTENZIONE!



Quando si chiude lo sportello, la striscia verticale dello sportello sinistro deve essere piegata verso l'interno (1).



Se si cerca di chiudere lo sportello sinistro senza che la striscia verticale dello sportello sia piegata (2), occorre prima piegarla, altrimenti colpirà l'asta di fissaggio o lo sportello destro. In tal caso, la striscia dello sportello potrebbe danneggiarsi o potrebbero verificarsi perdite.

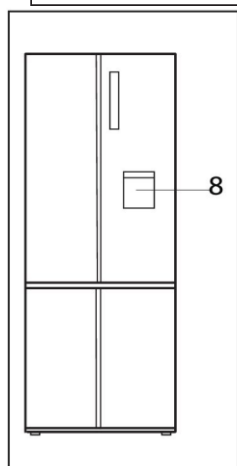
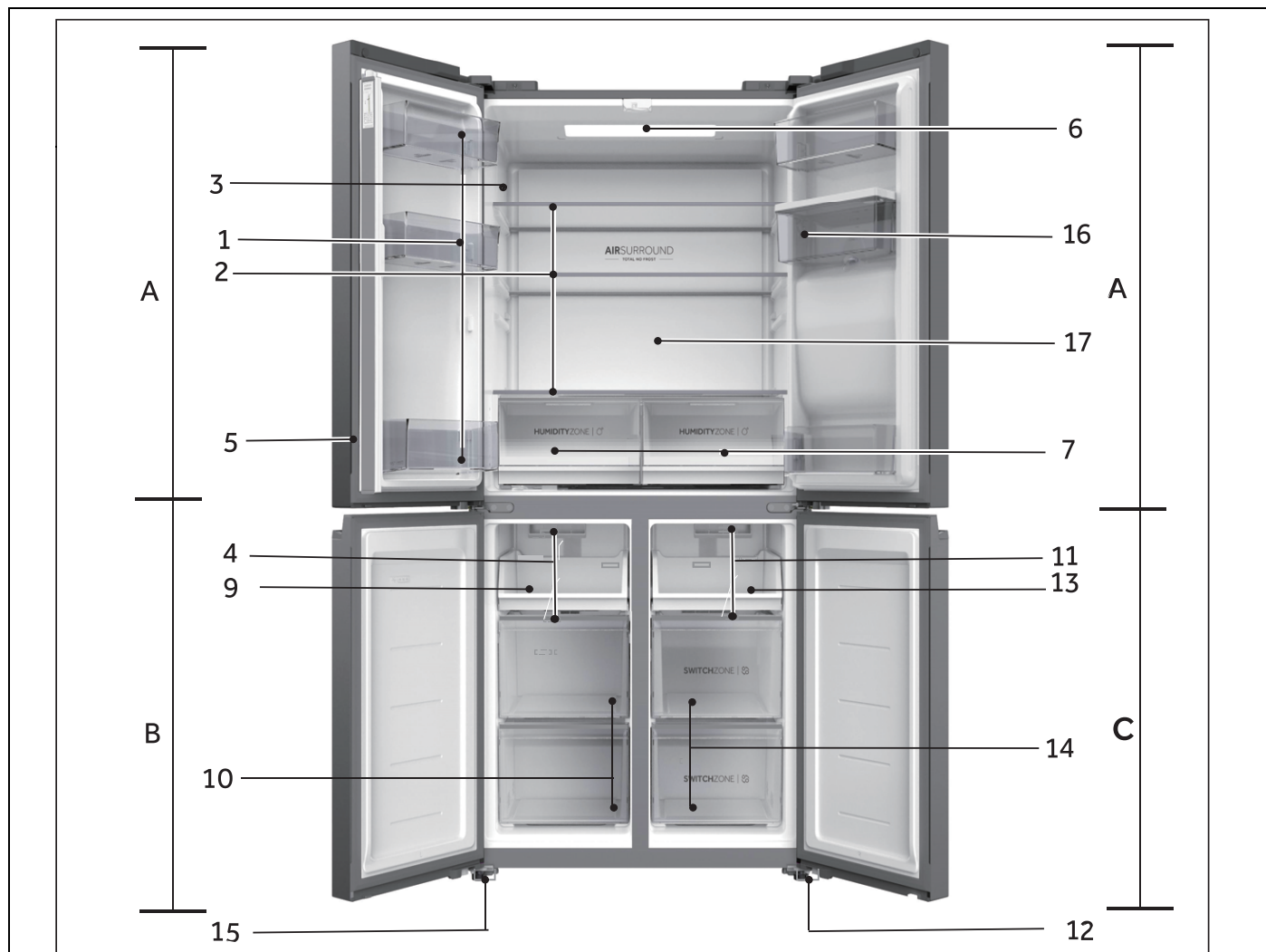
Il telaio contiene una serpentina scaldante. La temperatura della superficie aumenta lievemente, ma ciò è normale e non influisce sul funzionamento dell'elettrodomestico.



Avviso

A causa di modifiche tecniche e della varietà dei modelli, alcune illustrazioni riportate nel presente manuale possono essere diverse dall'aspetto reale del modello acquistato.

Modello (HCW58F18EWMP)



A: Comparto frigorifero

- 1 Ripiano dello sportello
- 2 Ripiano del vano
- 3 Targhetta
- 5 Striscia dello sportello
- 6 Illuminazione da soffitto
- 7 Cassetto Humidity Zone
- 8 Erogatore dell'acqua
- 16 Serbatoio dell'acqua
- 17 Condotto dell'aria

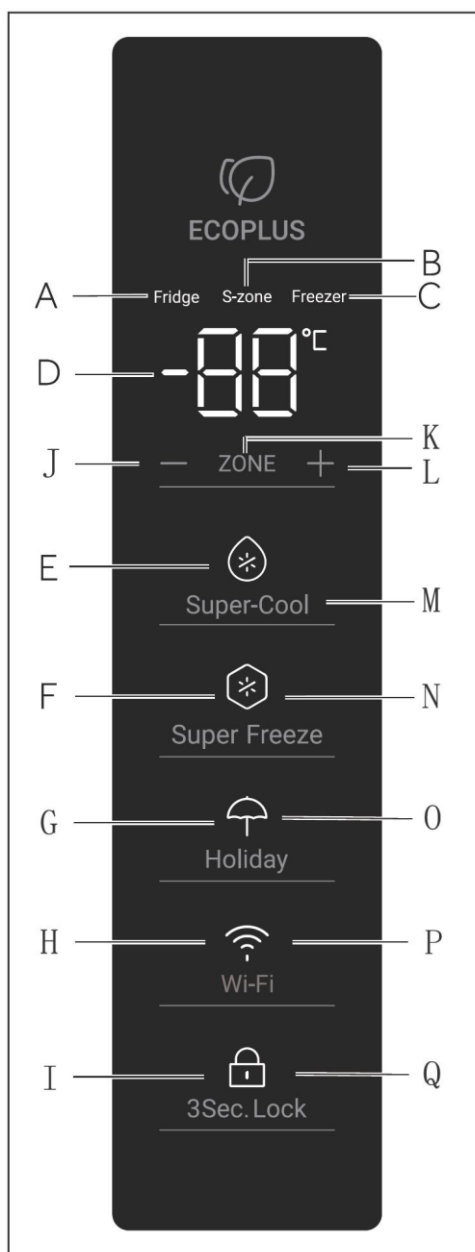
B: Comparto congelatore

- 4 Condotto dell'aria
- 9 Vassoio per la conservazione
- 10 Cassetto per la conservazione
- 15 Piedini regolabili

C: Comparto Switch Zone

- 11 Condotto dell'aria
- 12 Piedini regolabili
- 13 Vassoio per la conservazione
- 14 Cassetto per la conservazione Switch Zone

Pannello di controllo (HCW58F18EWMP)



Indicatore:

- A Comparto frigorifero
- B Switch Zone
- C Comparto congelatore
- D Visualizzazione della temperatura
- E Funzione Super Cool
- F Funzione Super Freeze
- G Modalità Holiday
- H Funzione Wi-Fi
- I Blocco del pannello

Tasti:

- J Controllo della temperatura "-"
- K Selezione del comparto
- L Controllo della temperatura "+"
- M Selettore della funzione Super Cool
- N Selettore della funzione Super Freeze
- O Selettore della modalità Holiday
- P Attivazione/disattivazione della funzione Wi-Fi
- Q Selettore blocco del pannello

Operazioni preliminari al primo utilizzo

- ▶ Rimuovere tutti i materiali di imballo, tenerli fuori dalla portata dei bambini e smaltirli nel rispetto dell'ambiente.
- ▶ Pulire l'interno e l'esterno dell'elettrodomestico con acqua e un detersivo delicato prima di inserire gli alimenti.
- ▶ Dopo l'installazione a livello e la pulizia dell'elettrodomestico, attendere almeno 2-5 ore prima di collegarlo all'alimentazione elettrica. Vedere la sezione INSTALLAZIONE.
- ▶ Prima di caricare gli alimenti, preraffreddare i compartimenti con impostazioni elevate. La funzione Power-Freeze serve a raffreddare rapidamente i compartimenti.
- ▶ La temperatura del frigorifero, la temperatura della Switch Zone e la temperatura del congelatore vengono impostate automaticamente a 5 °C, -18 °C e -18 °C rispettivamente. Queste impostazioni sono quelle consigliate. È possibile, tuttavia, cambiare manualmente queste temperature. Vedere REGOLAZIONE DELLA TEMPERATURA.

Tasti a sensore

I tasti del pannello di controllo sono di tipo a sensore che rispondono toccandoli lievemente con un dito.

Accensione e spegnimento dell'elettrodomestico

L'elettrodomestico entra in funzione non appena viene collegato all'alimentazione elettrica. Alla prima accensione del frigorifero si accende l'indicatore "D" (Visualizzazione della temperatura). La temperatura del frigorifero, la temperatura della Switch Zone e la temperatura del congelatore vengono impostate automaticamente a 5 °C, -18 °C e -18 °C rispettivamente.

È possibile che sia attivo il blocco del pannello.



Avviso

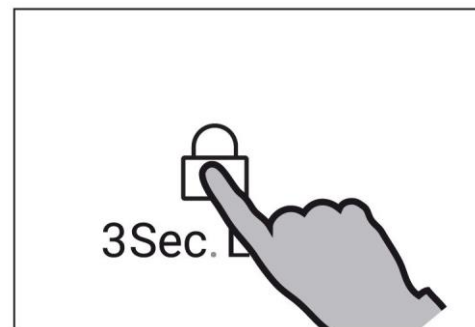
L'elettrodomestico è preimpostato alla temperatura consigliata di 5 °C (frigorifero), -18 °C (Switch Zone) e -18 °C (congelatore). In condizioni ambientali normali, non è necessario impostare la temperatura.

Quando l'elettrodomestico viene acceso dopo averlo staccato dall'alimentazione elettrica, il raggiungimento delle temperature corrette potrebbe richiedere fino a 12 ore.

Svuotare l'elettrodomestico prima di spegnerlo. Per spegnere l'elettrodomestico, staccare il cavo di alimentazione dalla presa di corrente.

Blocco e sblocco del pannello

Lo schermo del display si spegne automaticamente 30 secondi dopo aver premuto un tasto. Il display verrà automaticamente bloccato. Si accende automaticamente quando si preme un tasto qualsiasi o si apre una porta.



Avviso

La temperatura del frigorifero, la temperatura della Switch Zone, la temperatura del congelatore, la funzione Super Cool, la funzione Super Freeze, la modalità Holiday, la funzione Wi-Fi non possono essere regolate nello stato di blocco.

Modalità standby

Il display si spegne automaticamente 30 secondi dopo aver premuto un tasto. Il display verrà automaticamente bloccato. Si accende automaticamente quando si tocca un tasto o si apre lo sportello (l'allarme non accende lo schermo del display).

Modalità di regolazione manuale

Per regolare manualmente la temperatura dell'elettrodomestico, è possibile impostare il tasto di regolazione della temperatura (fare riferimento a REGOLAZIONE DELLA TEMPERATURA)

Regolazione della temperatura

Le temperature interne dipendono dai seguenti fattori:

- ▶ Temperatura ambiente
- ▶ Frequenza di apertura dello sportello
- ▶ Quantità di alimenti conservati
- ▶ Installazione dell'elettrodomestico

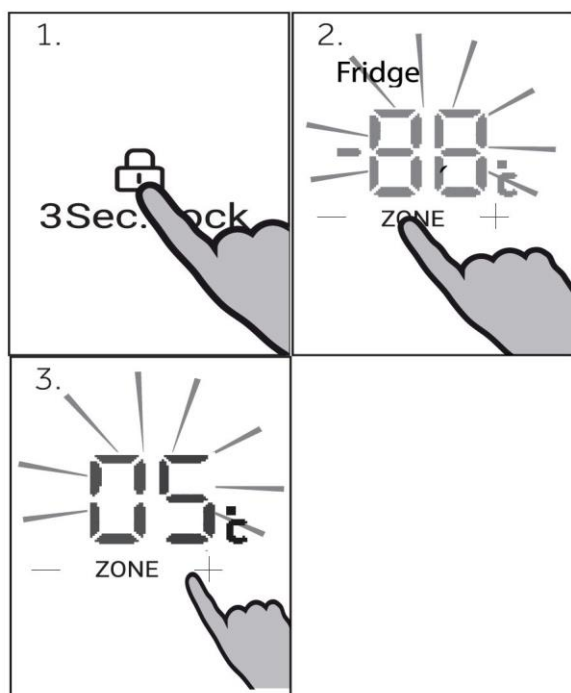
Allarme sportello

L'allarme sportello si attiva quando lo sportello rimane aperto per molto tempo o non viene chiuso correttamente, come promemoria.

Regolazione della temperatura del frigorifero

Sbloccare le impostazioni premendo il tasto "Q" per 3 secondi.

In stato di sblocco, premere il tasto "K" (selezione del comparto) per passare da un comparto all'altro. Quando l'indicatore "A" (indicatore del comparto frigorifero) si accende, premere il tasto "J" (controllo della temperatura "-") o il tasto "L" (controllo della temperatura "+") per regolare la temperatura del comparto frigorifero. Il valore visualizzato sull'indicatore "D" diminuisce di 1 °C ogni volta che si preme il tasto "J".



Il display lampeggia e diventa fisso con la temperatura impostata, quindi si spegne dopo alcuni secondi. Di conseguenza, il valore visualizzato sull'indicatore "D" aumenta di 1 °C ogni volta che si preme il tasto "L". Il display lampeggia e diventa fisso con la temperatura impostata, quindi si spegne dopo alcuni secondi. La temperatura del comparto frigorifero può essere regolata da 1 °C a 9 °C con incremento di 1 °C.



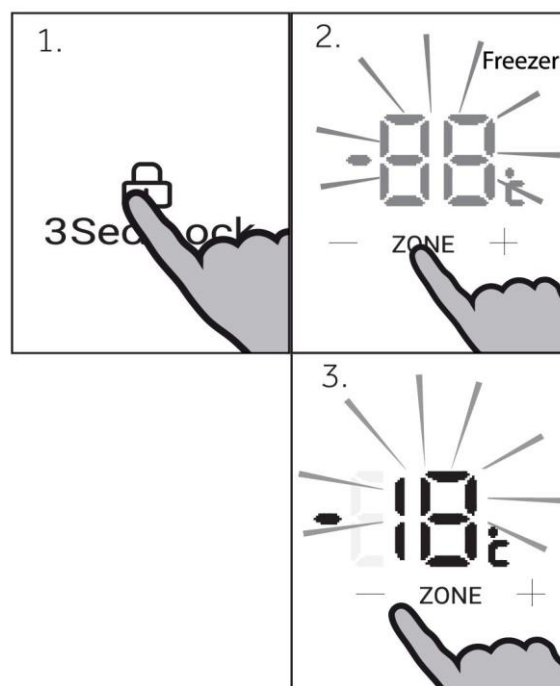
Avviso

La temperatura del frigorifero non può essere regolata in modalità Super Cool, Holiday e in stato di blocco.

Regolazione della temperatura del congelatore

Sbloccare le impostazioni premendo il tasto "Q" per 3 secondi.

In stato di sblocco, premere il tasto "K" (selezione del comparto) per passare da un comparto all'altro. Quando l'indicatore "C" (indicatore del comparto congelatore) si accende, premere il tasto "J" (controllo della temperatura "-") o il tasto "L" (controllo della temperatura "+") per regolare la temperatura del comparto congelatore. Il valore visualizzato sull'indicatore "D" diminuisce di 1 °C ogni volta che si preme il tasto "J". Il display lampeggia e diventa fisso con la temperatura impostata, quindi si spegne dopo alcuni secondi. Di conseguenza, il valore visualizzato sull'indicatore "D" aumenta di 1 °C ogni volta che si preme il tasto "L". Il display lampeggia e diventa fisso con la temperatura impostata, quindi si spegne dopo alcuni secondi. La temperatura del comparto congelatore può essere regolata da -14 °C a -24 °C con incremento di 1 °C.



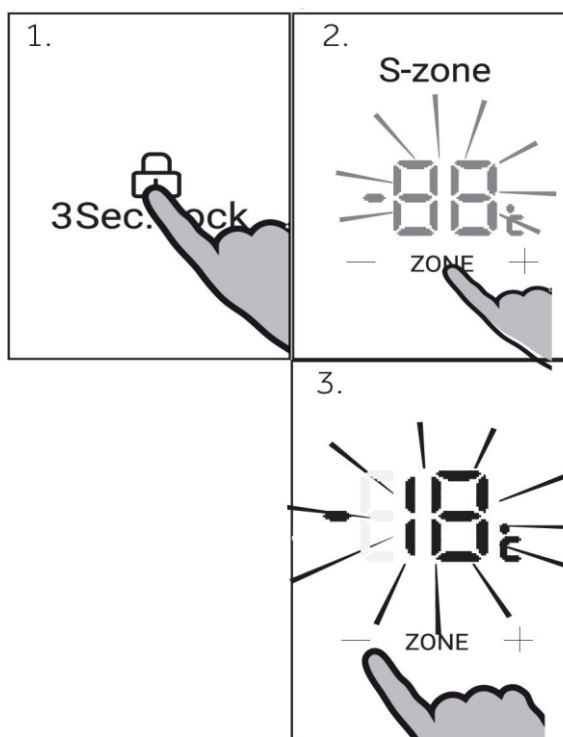
Avviso

La temperatura del congelatore non può essere regolata in modalità Super Freeze e in stato di blocco.

Regolazione della temperatura della Switch Zone

Sbloccare le impostazioni premendo il tasto "Q" per 3 secondi.

In stato di sblocco, premere il tasto "K" (selezione del comparto) per passare da un comparto all'altro. Quando l'indicatore "B" (indicatore della Switch Zone) si accende, premere il tasto "J" (controllo della temperatura "-") o il tasto "L" (controllo della temperatura "+") per regolare la temperatura della Switch Zone. Il valore visualizzato sull'indicatore "D" diminuisce di 1 °C ogni volta che si preme il tasto "J". Il display lampeggia e diventa fisso con la temperatura impostata, quindi si spegne dopo alcuni secondi. Di conseguenza, il valore visualizzato sull'indicatore "D" aumenta di 1 °C ogni volta che si preme il tasto "L". Il display lampeggia e diventa fisso con la temperatura impostata, quindi si spegne dopo alcuni secondi. La temperatura della Switch Zone può essere regolata da 5 °C a -18 °C con incremento di 1 °C.



Avviso

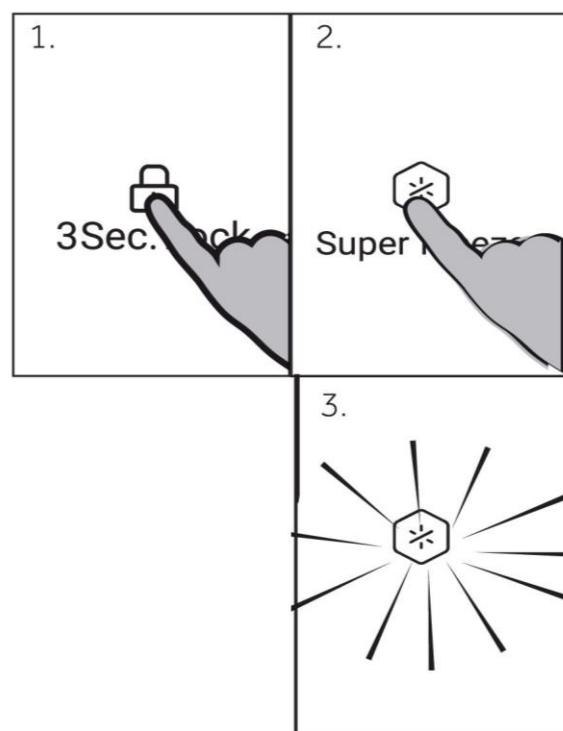
La temperatura della Switch Zone non può essere regolata nello stato di blocco.

Funzione Super Freeze

La funzione Super Freeze è in grado di congelare gli alimenti freschi il prima possibile, accelerando il congelamento per preservarne il valore nutrizionale, l'aspetto e il sapore. Se occorre congelare molti alimenti insieme, è preferibile impostare la funzione Super Freeze 24 ore prima di utilizzare il comparto congelatore.

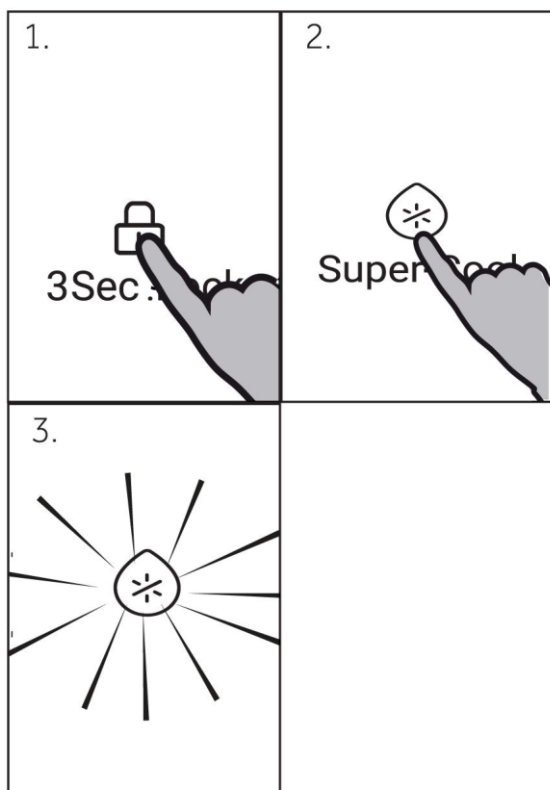
Sbloccare le impostazioni premendo il tasto "Q" per 3 secondi.

In stato di sblocco, premere il tasto "N" (selettore della funzione Super Freeze): l'indicatore "F" (indicatore della funzione Super Freeze) si accende e l'elettrodomestico entra in modalità Super Freeze. L'elettrodomestico esce automaticamente dalla modalità Super Freeze dopo 50 ore dall'attivazione. Per uscire manualmente dalla modalità Super Freeze, premere il tasto "N" (selettore della funzione Super Freeze) nello stato di sblocco; a questo punto l'indicatore "F" (indicatore della funzione Super Freeze) si spegne e l'elettrodomestico esce da questa modalità.



Avviso

In modalità Super Freeze, il tasto "J" (controllo della temperatura "-") e il tasto "L" (controllo della temperatura "+") sono bloccati quando viene selezionato il comparto congelatore, di cui non è possibile regolare la temperatura.



Funzione Super Cool

Dopo aver messo gli alimenti nel comparto frigo, per raffreddarli rapidamente è possibile abilitare la funzione Super Cool.

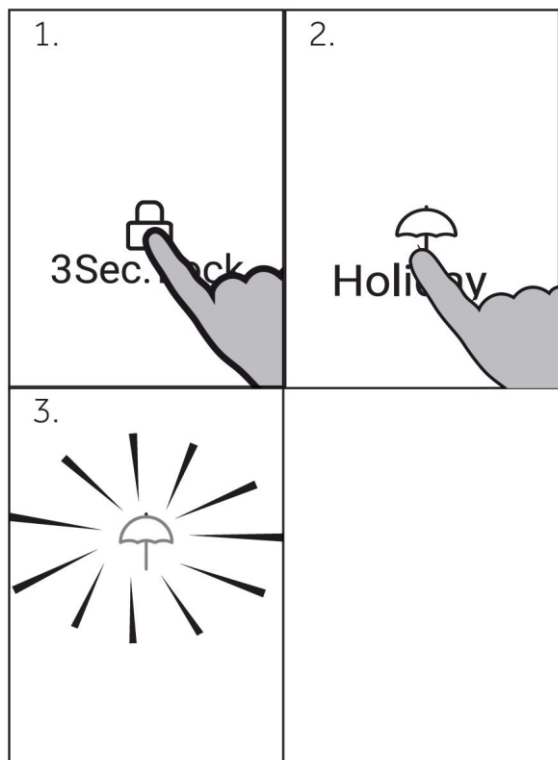
Sbloccare le impostazioni premendo il tasto "Q" per 3 secondi.

In stato di sblocco, premere il tasto "M" (selettore della funzione Super Cool): l'indicatore "E" (indicatore della funzione Super Cool) si accende e l'elettrodomestico entra in modalità Super Cool. L'elettrodomestico esce automaticamente dalla modalità Super Cool dopo 6 ore dall'attivazione. Per uscire manualmente dalla modalità Super Cool, premere il tasto "M" (selettore funzione Super Cool) nello stato di sblocco; a questo punto l'indicatore "E" (indicatore della funzione Super Cool) si spegne e il prodotto esce da questa modalità.



Avviso

La funzione Super Cool si disattiva automaticamente quando viene selezionata la modalità Holiday. In modalità Super Cool, il tasto "J" (controllo della temperatura "-") e il tasto "L" (controllo della temperatura "+") sono bloccati quando viene selezionato il comparto frigorifero, di cui non è possibile regolare la temperatura.



Modalità Holiday

In modalità Holiday, il comparto frigorifero si imposta automaticamente a 17 °C (per il risparmio energetico), mentre la Switch Zone e il comparto congelatore funzionano con le normali impostazioni di temperatura.

Sbloccare le impostazioni premendo il tasto "Q" per 3 secondi.

In stato di sblocco, premere il tasto "O" (selettore della modalità Holiday): l'indicatore "G" (indicatore della modalità Holiday) si accende e l'elettrodomestico entra in modalità Holiday; per uscire, premere il tasto "O" (selettore della modalità Holiday), la spia "G" si spegne e l'elettrodomestico esce da questa modalità.




Avviso

La modalità Holiday esce automaticamente quando viene selezionata la modalità Super Cool. In modalità Holiday, il tasto "J" (controllo della temperatura "-") e il tasto "L" (controllo della temperatura "+") sono bloccati quando viene selezionato il comparto frigorifero, di cui non è possibile regolare la temperatura.

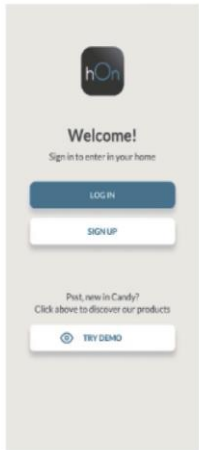
Impostazione della modalità Wi-Fi

PROCEDURA DI ACCOPPIAMENTO DELL'APP


Passo 1 • Scaricare l'applicazione hOn



Passo 2 Creare un account nell'app hOn o accedere se esiste già un account



Passo 3 Per l'accoppiamento, seguire le istruzioni dell'app hOn



Funzione Wi-Fi

Se la funzione Wi-Fi non è stata ancora configurata, quando il frigorifero si accende per la prima volta, entra automaticamente nella modalità di configurazione e rimane in questo stato per 30 minuti. L'icona Wi-Fi "H" lampeggia rapidamente e la registrazione del prodotto può cominciare.

1. Seguire le istruzioni dell'app per configurare la funzione Wi-Fi.
2. Dopo aver configurato la funzione Wi-Fi e stabilito la connessione, l'icona Wi-Fi "H" rimane sempre accesa.
3. Dopo 30 minuti senza effettuare alcuna operazione, la modalità di configurazione Wi-Fi si disattiva automaticamente.
4. Se la funzione Wi-Fi è già stata configurata, la riconnessione avviene automaticamente in base ai dati di configurazione se si accende il Wi-Fi.



Avviso

1. Questo prodotto non è destinato all'uso commerciale.
2. Frequenza di lavoro del trasmettitore: 2400 MHz ~ 2483,5 MHz
3. Potenza di uscita massima del trasmettitore: 20 dBm



Avviso

1. Per disattivare il Wi-Fi, premere il tasto Wi-Fi "P" e l'icona Wi-Fi "H" si spegne.
2. Per attivare il Wi-Fi e avviare la configurazione, premere il tasto Wi-Fi "P" e l'icona Wi-Fi "H" inizia a lampeggiare lentamente. Se si desidera disattivare la funzione Wi-Fi, premere una volta il tasto "P". Se si desidera configurare la funzione Wi-Fi, premere il tasto "P" per 3 secondi ma per meno di 20 secondi; a questo punto viene emesso un segnale acustico, l'icona Wi-Fi lampeggia velocemente ed entra in modalità di configurazione. I passaggi precedenti vengono ripetuti.
3. Se il prodotto è stato configurato e la funzione Wi-Fi è stata disattivata, il frigorifero non entra in modalità di configurazione una volta ricollegato all'alimentazione.
4. Dopo aver configurato la funzione Wi-Fi e stabilito la connessione, l'icona Wi-Fi "H" rimane sempre accesa.

Allarme sportello

L'allarme sportello si attiva quando lo sportello rimane aperto per molto tempo o non viene chiuso correttamente, come promemoria.

SPORTELLO DEL FRIGORIFERO A SINISTRA

SPORTELLO DEL FRIGORIFERO A DESTRA

SPORTELLO DEL CONGELATORE

INTERRUTTORE SWITCH ZONE

Erogatore dell'acqua

L'erogatore dell'acqua consente il prelievo di acqua potabile fredda.

Prima di utilizzare il serbatoio dell'acqua per la prima volta, è necessario pulirlo (v. CURA E PULIZIA).

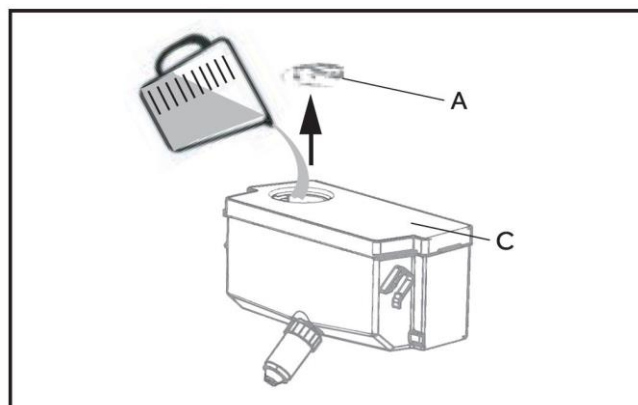
Riempimento del serbatoio dell'acqua



AVVERTENZA!

Riempire solo con acqua potabile.

1. Accertarsi che il serbatoio dell'acqua sia inserito correttamente (v. DOTAZIONI)
2. Ruotare e sollevare il coperchio circolare (A) e riempire il serbatoio dell'acqua con acqua potabile fresca.
3. Riempire d'acqua il serbatoio senza superare il segno (2,5 l), altrimenti potrebbe fuoriuscire acqua quando si apre e si chiude lo sportello.
4. Chiudere il coperchio circolare (A) fino a quando non scatta in posizione.

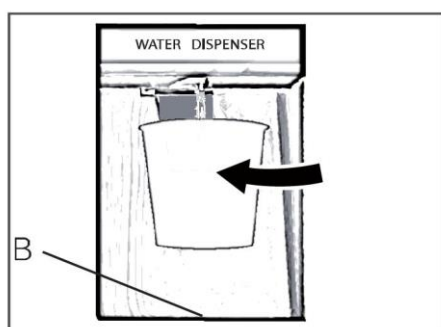


Avviso: Erogatore dell'acqua

Prima di riempire il serbatoio dell'acqua, svuotare l'acqua rimanente e pulirlo.

Se l'acqua non deve essere erogata per un lungo periodo di tempo, svuotare il serbatoio dell'acqua, pulirlo e inserirlo nuovamente.

Il coperchio (C) del serbatoio dell'acqua serve anche per risparmiare energia. Se l'acqua non sarà erogata per un lungo periodo di tempo, installare comunque il coperchio per migliorare l'isolamento e risparmiare energia.



Prelievo dell'acqua dall'erogatore

1. Collocare un bicchiere sotto l'uscita dell'acqua.
2. Spingere delicatamente il bicchiere contro la leva dell'erogatore dell'acqua. Per evitare che l'acqua schizzi fuori, allineare il bicchiere all'erogatore.
3. L'acqua nel vassoio (B) deve essere rimossa in tempo, poiché potrebbe traboccare quando lo sportello si apre e si chiude.

Suggerimento per la conservazione di alimenti freschi

Conservazione nel comparto frigorifero

- ▶ Mantenere nel frigorifero una temperatura inferiore a 5 °C.
- ▶ Lasciare raffreddare gli alimenti caldi fino a quando raggiungono la temperatura ambiente prima di conservarli nell'elettrodomestico.
- ▶ Lavare e asciugare gli alimenti prima di conservarli nel frigorifero.
- ▶ Per evitare alterazioni dell'odore o del sapore, sigillare adeguatamente gli alimenti da conservare.
- ▶ Non conservare alimenti in quantità eccessiva. Per un raffreddamento migliore e più omogeneo, lasciare spazio tra gli alimenti per consentire il passaggio dell'aria fredda.
- ▶ È preferibile conservare nella parte anteriore del ripiano gli alimenti consumati quotidianamente.
- ▶ Lasciare spazio tra gli alimenti e le pareti interne, per facilitare il passaggio dell'aria. In particolare, non riporre alimenti a contatto con la parete posteriore, perché potrebbero congelarsi. Evitare il contatto diretto degli alimenti (specialmente se oleosi o acidi) con il rivestimento interno, poiché l'olio e l'acido possono corroderlo. Pulire immediatamente lo sporco oleoso o acido.
- ▶ Scongelare gli alimenti surgelati nel comparto frigorifero. In questo modo, è possibile utilizzare gli alimenti congelati per ridurre la temperatura nel comparto e risparmiare energia.
- ▶ Il processo di invecchiamento di frutta e verdura come zucchine, meloni, papaia, banane, ananas ecc. può essere accelerato nel frigorifero. Per tale motivo, è sconsigliabile conservare questi alimenti nel frigorifero. Un breve periodo di conservazione in frigorifero, tuttavia, può accelerare la maturazione di frutti molto acerbi. Conservare a temperatura ambiente anche cipolle, aglio, zenzero e altri tuberi.
- ▶ Eventuali odori sgradevoli all'interno del frigorifero indicano che qualcosa si è rovesciato ed è necessario pulire l'elettrodomestico. Vedere CURA E PULIZIA.
- ▶ È preferibile collocare alimenti diversi in aree diverse, a seconda delle loro proprietà:



Avviso

Per ottimizzare il raffreddamento, lasciare uno spazio libero di almeno 10 mm tra gli alimenti e il condotto dell'aria o i sensori.



- 1 Burro, formaggi ecc.
- 2 Uova, cibo in scatola, spezie ecc.
- 3 Bevande e bibite imbottigliate.
- 4 Cibi in salamoia, cibo in scatola ecc.
- 5 Prodotti a base di carne, snack, pasta, cibo in scatola, latte, tofu, latticini ecc.
- 6 Carne cotta, salsicce ecc.
- 7 Cassetto Humidity Zone: Frutta, verdura, insalata ecc.
- 8 Cassetto Humidity Zone: Frutta, verdura, insalata ecc.

Conservazione nel comparto Switch Zone

Il comparto Switch Zone consente di regolare la temperatura tra -18 °C e 5 °C in base alla necessità di conservazione degli alimenti e offre opzioni di conservazione più flessibili, per una maggiore comodità.

-18 °C	Per alimenti surgelati generici che richiedono una conservazione compresa tra 1 e 12 mesi.	Carne, pollame, frutti di mare, cibi precotti e avanzi, frutta e verdura, gelati e altri dessert surgelati.
-7 °C	Consente una facile porzionatura degli alimenti e la possibilità di riscaldare, cuocere o servire i cibi direttamente dal comparto senza attenderne lo scongelamento.	Carne, frutti di mare, zuppe, salse, passati, pane, dolci e pasticcini. Nota: consigliato per la conservazione di dolci cremosi come il gelato.
0 °C	Si tratta della zona di conservazione perfetta per alimenti altamente deperibili, per garantirne freschezza e qualità.	Carne, pollame e frutti di mare altamente deperibili. Bevande alcoliche come la birra.
5 °C	L'ideale per alimenti freschi come frutta e verdura, latticini, carni e bevande.	Frutta e verdura, latticini, marmellate e chutney/conservenze, carni e bevande.

Conservazione nel comparto congelatore

- ▶ Nel congelatore mantenere la temperatura di -18°C .
- ▶ Attivare la funzione Super-Freeze 24 ore prima di congelare gli alimenti; per alimenti in quantità limitata, bastano 4-6 ore.
- ▶ Lasciare raffreddare gli alimenti caldi fino a quando raggiungono la temperatura ambiente prima di conservarli nel comparto congelatore.
- ▶ Gli alimenti tagliati in piccole porzioni si congelano e si scongelano più rapidamente. Il peso consigliato per ogni porzione è inferiore a 2,5 kg
- ▶ È preferibile confezionare gli alimenti prima di collocarli nel congelatore. Per evitare che i sacchetti si attacchino tra loro, la parte esterna della confezione deve essere asciutta. I materiali per il confezionamento devono essere inodori, ermetici, non velenosi e non tossici.
- ▶ Per evitare di superare la scadenza dei periodi di conservazione, annotare sulla confezione la data di congelamento, il limite di tempo e il nome dell'alimento in base ai periodi di conservazione dei vari alimenti.
- ▶ **AVVERTENZA:** Acidi, alcali, sale ecc. potrebbero corrodere la superficie interna del congelatore. Non collocare alimenti contenenti tali sostanze (ad es. pesce di mare) a contatto diretto con la superficie interna. Eliminare immediatamente l'acqua salata dal congelatore.
- ▶ Non superare i tempi di conservazione degli alimenti consigliati dai produttori. Estrarre dal congelatore solo la quantità di alimenti necessaria.
- ▶ Consumare rapidamente gli alimenti scongelati. Gli alimenti scongelati non possono essere ricongelati, a meno che non vengano cotti.
- ▶ Non caricare troppi alimenti freschi nel comparto congelatore. Fare riferimento alla capacità di congelamento del congelatore - Vedere DATI TECNICI o controllare i dati sulla targhetta.
- ▶ Gli alimenti possono essere conservati nel congelatore a una temperatura di almeno -18°C per 2-12 mesi, a seconda delle loro proprietà (ad es. carne: 3-12 mesi, verdure: 6-12 mesi)
- ▶ Quando si congelano alimenti freschi, evitare che entrino a contatto con alimenti già congelati. In caso contrario, potrebbero scongelarsi.

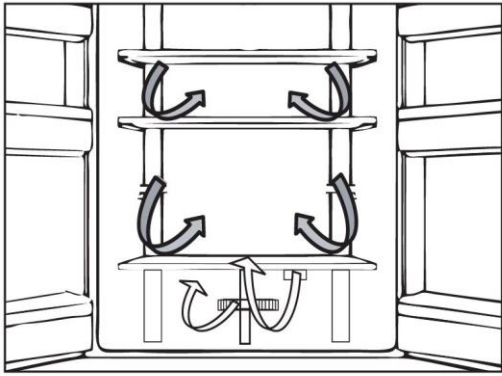
Quando si conservano alimenti surgelati, attenersi alle linee guida indicate di seguito:

- ▶ Per il tempo di conservazione degli alimenti, attenersi sempre alle linee guida dei produttori. Non ignorare queste linee guida.
- ▶ Ridurre il più possibile il tempo tra l'acquisto e la conservazione per preservare la qualità degli alimenti.
- ▶ Acquistare alimenti congelati conservati a una temperatura di -18°C o inferiore.
- ▶ Evitare di acquistare alimenti con ghiaccio o brina sulla confezione, in quanto potrebbero essere stati parzialmente scongelati e ricongelati; l'aumento della temperatura riduce la qualità degli alimenti.



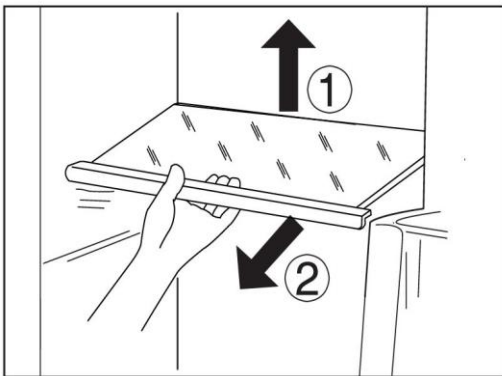
Avviso

- ▶ Per ottimizzare il raffreddamento, lasciare uno spazio libero di almeno 10 mm tra gli alimenti e il condotto dell'aria.



Flusso d'aria multiplo

Il frigorifero è dotato di un sistema con flusso d'aria multiplo e i flussi di aria fresca investono tutti i ripiani. Ciò facilita il mantenimento di una temperatura uniforme per garantire la freschezza degli alimenti per un periodo maggiore.



Ripiani regolabili

L'altezza dei ripiani può essere regolata in base alle esigenze.

1. Per spostare un ripiano, rimuoverlo sollevandone il bordo posteriore (1) ed estrarlo (2).
2. Per reinstallarlo, collocarlo sulle alette su entrambi i lati e spingerlo dentro fino in fondo in modo che la parte posteriore del ripiano sia fissata all'interno delle feritoie laterali



Avviso:

Accertarsi che tutte le estremità del ripiano siano a livello.

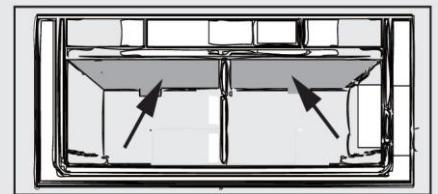
Cassetto Humidity Zone

In questo comparto il livello di umidità è attorno all'85%. Viene controllato automaticamente dal sistema ed è adatto alla conservazione di frutta, verdura, insalata ecc.



Avviso:

- ▶ Non rimuovere il coperchio di plastica all'interno delle due zone, poiché mantengono l'umidità.
- ▶ Formaggi, frutta e ortaggi sensibili al freddo (ad es. ananas, avocado, banane, pompelmi, patate, melanzane, fagioli, cetrioli, zucchine e pomodori) non devono essere conservati in questi due cassetti.

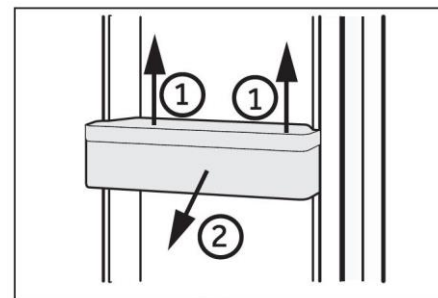


Ripiani dello sportello rimovibili

I cassetti incassati nello sportello possono essere rimossi per essere puliti:

Tenere con le mani entrambi i lati del cassetto incassato, sollevarlo (1) ed estrarlo (2).

Per inserire il cassetto incassato nello sportello, seguire la procedura inversa.

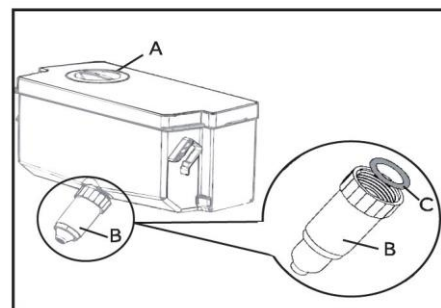


Serbatoio dell'acqua rimovibile

Il serbatoio dell'acqua può essere rimosso e reinstallato per essere pulito, così come i ripiani nello sportello.

Inserire il serbatoio dell'acqua

Collocare il serbatoio dell'acqua in modo che l'uscita dell'acqua (B) si inserisca nell'apertura dello sportello. Accertarsi che il serbatoio dell'acqua sia bloccato.



Avviso: Serbatoio dell'acqua

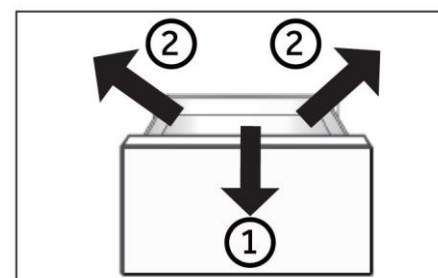
Assicurarsi che il beccuccio sia saldamente avvitato al serbatoio dell'acqua e che l'O-ring bianco (C) sia in posizione.

Se il serbatoio dell'acqua non è inserito correttamente, potrebbe gocciolare acqua dal collegamento. Non applicare una forza eccessiva per rimuovere o installare il serbatoio dell'acqua, altrimenti potrebbe danneggiarsi.

Cassetto rimovibile del congelatore

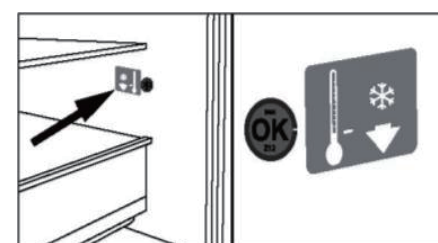
Per rimuovere il cassetto, estrarlo al massimo (1), sollevarlo e toglierlo (2).

Per inserire il cassetto, seguire la procedura inversa.



OPTIONAL: indicatore di temperatura OK

L'indicatore di temperatura OK può essere utilizzato per determinare temperature inferiori a +4°C. Ridurre gradualmente la temperatura se il cartello non indica "OK".



Illuminazione

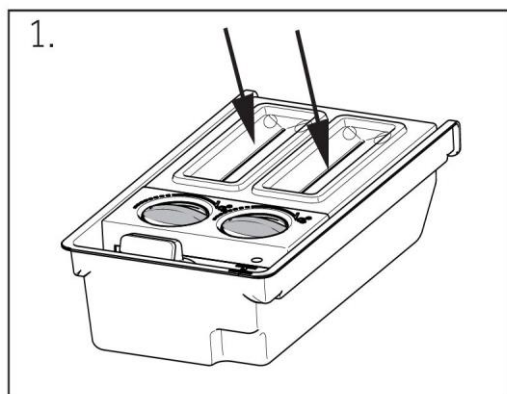
L'illuminazione interna a LED si accende all'apertura dello sportello e si spegne automaticamente se lo sportello viene lasciato aperto per più di 7 minuti. Le prestazioni dell'illuminazione non dipendono da altre impostazioni degli elettrodomestici.



Suggerimenti per il risparmio energetico

- ▶ Accertarsi che l'elettrodomestico sia adeguatamente ventilato (v. INSTALLAZIONE).
- ▶ Non installare l'elettrodomestico esposto alla luce diretta del sole o in prossimità di fonti di calore (ad es. stufe o radiatori).
- ▶ Evitare che la temperatura dell'elettrodomestico sia inutilmente bassa. Riducendo la temperatura impostata nell'elettrodomestico, il consumo energetico aumenta.
- ▶ Funzioni come Super-Freeze consumano più energia.
- ▶ Attendere che gli alimenti caldi si raffreddino prima di collocarli nell'elettrodomestico.
- ▶ Aprire lo sportello dell'elettrodomestico senza spalancarlo e per il più breve tempo possibile.
- ▶ Per evitare ostruzioni del flusso d'aria, non riempire eccessivamente l'elettrodomestico.
- ▶ Evitare l'ingresso di aria nelle confezioni di alimenti.
- ▶ Mantenere pulite le guarnizioni dello sportello in modo che si chiuda sempre perfettamente.
- ▶ Scongelare gli alimenti surgelati nel comparto frigorifero.
- ▶ Per ottimizzare il risparmio energetico, lasciare i cassetti, i contenitori per gli alimenti e i ripiani nelle posizioni di fabbrica e collocare gli alimenti il più possibile distanti tra loro senza ostruire l'uscita del condotto.

Produzione di cubetti di ghiaccio

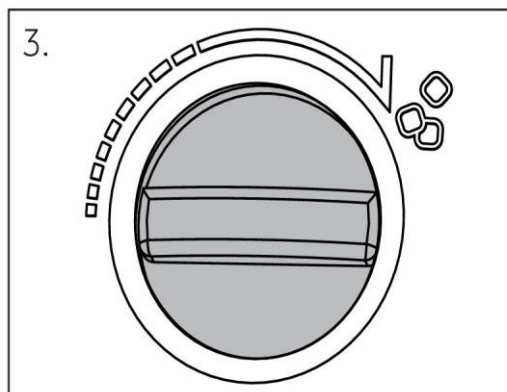


1. Versare acqua fresca potabile in ciascun contenitore per la produzione di ghiaccio fino al segno della scala interna al misurino e non superare questo segno



Avviso:

Prestare attenzione affinché l'acqua non finisca tra i 2 tasti, in caso contrario questi potrebbero congelarsi impedendo ai cubetti di ghiaccio di cadere nel contenitore.



2. Posizionare il contenitore nel comparto di congelamento.
3. Una volta che l'acqua diventa ghiaccio, estrarre la macchina per il ghiaccio dall'elettrodomestico e ruotare manualmente il tasto. A questo punto, i cubetti di ghiaccio cadono automaticamente nel contenitore. Togliere la copertura e raccogliere i cubetti di ghiaccio.



AVVERTENZA!

Prima di effettuare la pulizia, staccare la spina di alimentazione dell'elettrodomestico.

Pulizia

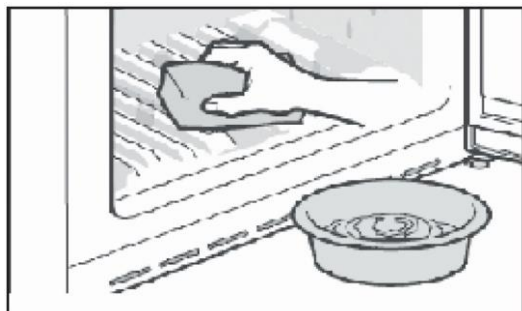
Pulire l'elettrodomestico quando è vuoto o contiene pochi alimenti.

Per una corretta manutenzione e per evitare cattivi odori degli alimenti conservati, pulire l'elettrodomestico ogni quattro settimane.



AVVERTENZA!

- ▶ Non pulire l'elettrodomestico con spazzole rigide, spazzole metalliche, detersivi in polvere, benzina, acetato di pentile, acetone e soluzioni organiche simili, soluzioni acide o alcaline. Per la pulizia adoperare un detersivo speciale per frigoriferi per evitare danni.
- ▶ Non spruzzare o schizzare liquidi sull'elettrodomestico durante la pulizia.
- ▶ Per pulire questo elettrodomestico non utilizzare apparecchi a vapore.
- ▶ Non pulire i ripiani di vetro freddi con acqua calda. Un'improvvisa variazione della temperatura può causare la rottura del vetro.
- ▶ Non toccare la superficie interna del comparto congelatore, soprattutto con le mani bagnate, poiché le mani potrebbero congelarsi sulla superficie.
- ▶ Se la temperatura aumenta, controllare lo stato degli alimenti congelati.

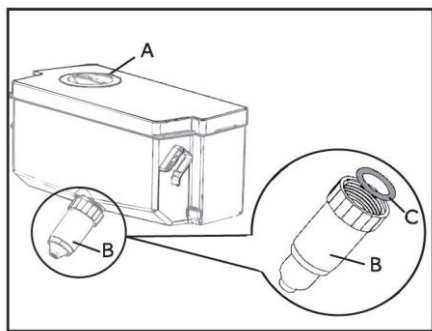


- ▶ Tenere sempre pulita la guarnizione dello sportello.
 - ▶ Pulire l'interno e l'alloggiamento dell'elettrodomestico con una spugna imbevuta di acqua calda e detersivo neutro.
1. Strofinare l'interno e l'esterno del frigorifero (compresi la guarnizione dello sportello, il cassetto incassato nello sportello, i ripiani di vetro, i comparti ecc.) con un panno morbido o una spugna imbevuta di acqua calda (è possibile aggiungere un detersivo neutro).
 2. In presenza di liquidi versati, rimuovere tutte le parti contaminate, sciacquarle sotto l'acqua corrente, asciugarle e ricollocarle nel frigorifero.
 3. In caso di versamenti di alimenti cremosi (ad es. panna o gelato sciolto), rimuovere tutte le parti contaminate, lasciarle un po' di tempo in acqua calda a circa 40 °C, poi sciacquarle sotto l'acqua corrente, asciugarle e ricollocarle nel frigorifero.
 4. Nel caso in cui rimangano intrappolati piccoli oggetti all'interno del frigorifero (tra i ripiani o i cassetti), toglierli con una spazzolina morbida. Se non si riesce a raggiungere l'oggetto, rivolgersi all'assistenza Haier
 - ▶ Sciacquare e asciugare con un panno morbido.
 - ▶ Non lavare i componenti dell'elettrodomestico in lavastoviglie.
 - ▶ Attendere almeno 5 minuti prima di riavviare l'elettrodomestico, poiché un avvio frequente può danneggiare il compressore.

Sbrinamento

Lo sbrinamento dei comparti frigorifero e congelatore avviene automaticamente e non richiede operazioni manuali.

Pulizia del serbatoio dell'acqua



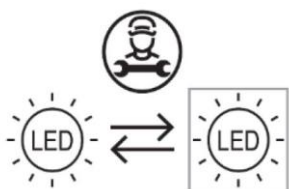
1. Estrarre il serbatoio dell'acqua dall'elettrodomestico
2. Rimuovere il coperchio (A).
3. Svitare il beccuccio erogatore (B).
4. Pulire il serbatoio e il beccuccio erogatore con acqua calda e detersivo liquido per i piatti. Risciacquare accuratamente per eliminare tutto il sapone.
5. Montare l'erogatore (B) e fare attenzione che sia ben avvitato al serbatoio dell'acqua e che l'O-ring bianco (C) sia in posizione.
6. Chiudere il coperchio (A) e collocare nuovamente il serbatoio nell'elettrodomestico.



Avviso: Serbatoio dell'acqua

Se il serbatoio dell'acqua non è inserito correttamente, potrebbe gocciolare acqua dal collegamento. Non applicare una forza eccessiva per rimuovere o installare il serbatoio dell'acqua, altrimenti potrebbe danneggiarsi.

Sostituzione delle lampade a LED



La sorgente luminosa (solo LED) può essere sostituita esclusivamente da un professionista

Questo prodotto contiene una fonte luminosa con efficienza energetica di classe G

Comparto	Tensione	Potenza massima	Classe di efficienza energetica	Modello
Frigorifero	12 Vcc	5 W	G	HCW58F18EWMP

Inutilizzo per lunghi periodi

Se l'elettrodomestico non verrà adoperato per lunghi periodi e non verrà utilizzata solo la funzione Holiday o la funzione Fridge Off:

- ▶ Estrarre gli alimenti.
- ▶ Scollegare il cavo di alimentazione.
- ▶ Svuotare e pulire il serbatoio dell'acqua
- ▶ Pulire l'elettrodomestico come descritto in precedenza.
- ▶ Lasciare aperti gli sportelli per evitare la produzione di cattivi odori all'interno.



Avviso

Spegnere l'elettrodomestico solo se è strettamente necessario.

Spostamento dell'elettrodomestico

1. Togliere tutti gli alimenti e staccare la spina dell'elettrodomestico.
2. Fissare con nastro adesivo i ripiani e gli altri componenti mobili presenti nel frigorifero e nel congelatore.
3. Non inclinare il frigorifero oltre 45°, altrimenti il sistema di refrigerazione potrebbe danneggiarsi.

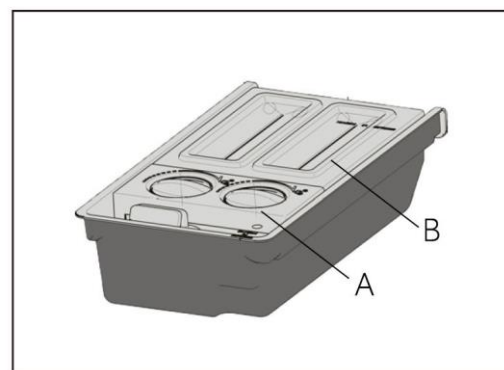


AVVERTENZA!

- ▶ Non sollevare l'elettrodomestico tenendolo per le maniglie dello sportello.
- ▶ Non collocare mai l'elettrodomestico orizzontalmente a terra.

Pulizia della macchina per il ghiaccio a cubetti

1. Estrarre la macchina per il ghiaccio a cubetti dall'elettrodomestico.
2. Rimuovere la copertura (A) e (B).
3. Pulire la macchina per il ghiaccio a cubetti con acqua calda e detersivo liquido per i piatti. Risciacquare accuratamente per eliminare tutto il sapone.
4. Chiudere le coperture, riempire con acqua potabile e riposizionare la macchina per il ghiaccio a cubetti all'interno dell'elettrodomestico.



Molti problemi possono essere risolti personalmente senza particolari competenze. In caso di problemi, consultare tutte le soluzioni possibili indicate e attenersi alle seguenti istruzioni prima di contattare l'assistenza post-vendita. V. ASSISTENZA CLIENTI.



AVVERTENZA!

- ▶ Prima di effettuare la manutenzione dell'elettrodomestico, spegnerlo e staccare la spina dalla presa di corrente.
- ▶ La manutenzione delle apparecchiature elettriche deve essere effettuata solo da elettricisti qualificati, dal momento che eventuali riparazioni improprie possono causare danni notevoli.
- ▶ Se il cavo di alimentazione è danneggiato, deve essere sostituito unicamente dal produttore, da un tecnico dell'assistenza o da una persona con analoga qualifica per evitare rischi.

Problema	Causa possibile	Soluzione possibile
Il compressore non funziona.	<ul style="list-style-type: none"> • La spina non è collegata alla presa di corrente. • L'elettrodomestico sta effettuando il ciclo di sbrinamento 	<ul style="list-style-type: none"> • Collegare la spina alla presa di corrente. • Ciò è normale per lo sbrinamento automatico
L'elettrodomestico si aziona frequentemente o per un periodo di tempo troppo lungo.	<ul style="list-style-type: none"> • La temperatura interna o esterna è troppo elevata. • L'elettrodomestico è rimasto spento per un certo periodo di tempo. • Uno sportello dell'elettrodomestico non è chiuso ermeticamente. • Lo sportello è stato aperto troppo spesso o troppo a lungo. • L'impostazione della temperatura del comparto congelatore è troppo bassa. • La guarnizione dello sportello è sporca, usurata, danneggiata o inadeguata. • Non è garantita la circolazione dell'aria necessaria. 	<ul style="list-style-type: none"> • In questo caso è normale che l'elettrodomestico rimanga in funzione più a lungo. • Il raffreddamento completo dell'elettrodomestico normalmente richiede 8-12 ore. • Chiudere lo sportello o il cassetto e accertarsi che l'elettrodomestico sia a livello e che gli alimenti o i contenitori non urtino lo sportello. • Non aprire lo sportello o il cassetto troppo spesso. • Scegliere un'impostazione della temperatura più alta fino a quando la temperatura del frigorifero è soddisfacente. Per stabilizzare la temperatura del frigorifero occorrono 24 ore. • Pulire la guarnizione dello sportello o del cassetto o farla sostituire dall'assistenza clienti. • Garantire un'adeguata ventilazione.
L'interno del frigorifero è sporco e/o si sentono cattivi odori.	<ul style="list-style-type: none"> • L'interno del frigorifero deve essere pulito. • In frigorifero vengono conservati alimenti che producono un odore intenso. 	<ul style="list-style-type: none"> • Pulire la parte interna del frigorifero. • Avvolgere completamente gli alimenti.

Problema	Causa possibile	Soluzione possibile
La temperatura nell'elettrodomestico non è sufficientemente bassa.	<ul style="list-style-type: none"> • La temperatura impostata è troppo alta. • Sono stati collocati alimenti troppo caldi. • Sono stati collocati troppi alimenti contemporaneamente. • Gli alimenti sono troppo vicini tra loro. • Uno sportello o un cassetto dell'elettrodomestico non è chiuso bene. • Lo sportello o il cassetto è stato aperto troppo spesso o troppo a lungo. 	<ul style="list-style-type: none"> • Reimpostare la temperatura. • Gli alimenti devono essere sempre raffreddati prima di conservarli. • Non conservare troppi alimenti. • Lasciare spazio tra i vari alimenti per consentire il passaggio del flusso d'aria. • Chiudere lo sportello o il cassetto. • Non aprire lo sportello o il cassetto troppo spesso.
La temperatura nell'elettrodomestico è troppo bassa.	<ul style="list-style-type: none"> • La temperatura impostata è troppo bassa. • La funzione Super-Frz/Super-Cool è attiva o rimane attiva troppo a lungo. 	<ul style="list-style-type: none"> • Reimpostare la temperatura. • Disattivare la funzione Super-Frz/Super-Cool
Formazione di umidità all'interno del comparto frigorifero.	<ul style="list-style-type: none"> • Il clima è troppo caldo e troppo umido. • Uno sportello o un cassetto dell'elettrodomestico non è chiuso bene. • Lo sportello o il cassetto è stato aperto troppo spesso o troppo a lungo. • Contenitori per alimenti o liquidi rimasti aperti. 	<ul style="list-style-type: none"> • Aumentare la temperatura. • Chiudere lo sportello o il cassetto. • Non aprire lo sportello o il cassetto troppo spesso. • Lasciare raffreddare gli alimenti caldi a temperatura ambiente e coprire cibi e liquidi.
Accumulo di umidità sulla superficie esterna del frigorifero o tra gli sportelli e il cassetto.	<ul style="list-style-type: none"> • Il clima è troppo caldo e troppo umido. • Lo sportello non è chiuso ermeticamente. L'aria fredda all'interno dell'elettrodomestico e l'aria calda all'esterno formano condensa. 	<ul style="list-style-type: none"> • Ciò è normale in un clima umido; la situazione cambia quando l'umidità diminuisce. • Accertarsi che lo sportello o il cassetto sia chiuso bene.
Presenza di molto ghiaccio e brina nel comparto congelatore.	<ul style="list-style-type: none"> • Gli alimenti non sono stati confezionati adeguatamente. • Uno sportello o un cassetto dell'elettrodomestico non è chiuso bene. • Lo sportello o il cassetto è stato aperto troppo spesso o troppo a lungo. • Le guarnizioni dello sportello o del cassetto sono sporche, usurate, danneggiate o inadeguate. • Qualcosa all'interno impedisce la chiusura corretta dello sportello o del cassetto. 	<ul style="list-style-type: none"> • Confezionare sempre gli alimenti. • Chiudere lo sportello o il cassetto. • Non aprire lo sportello o il cassetto troppo spesso. • Pulire la guarnizione dello sportello o del cassetto oppure sostituirla. • Risistemare i ripiani, i cassetti incassati nello sportello o i contenitori interni per consentire la chiusura dello sportello o del cassetto.

Problema	Causa possibile	Soluzione possibile
I lati del vano e la striscia dello sportello si riscaldano.	• -	• È normale.
L'elettrodomestico emette suoni anomali.	<ul style="list-style-type: none"> • L'elettrodomestico non è a livello. • L'elettrodomestico urta qualche oggetto vicino. 	<ul style="list-style-type: none"> • Regolare i piedini per collocare l'elettrodomestico a livello. • Rimuovere gli oggetti attorno all'elettrodomestico.
Si sente un lieve rumore, simile a quello dell'acqua che scorre.	• -	• È normale.
Viene emesso un allarme acustico.	• Lo sportello del comparto frigorifero è aperto.	• Chiudere lo sportello.
Viene emesso un lieve sibilo.	• È in funzione il sistema anticondensa.	• Ciò evita la formazione di condensa ed è normale.
L'illuminazione interna o il sistema di raffreddamento non funziona.	<ul style="list-style-type: none"> • La spina non è collegata alla presa di corrente. • Problema della fonte di alimentazione. • La lampada a LED è fuori uso. 	<ul style="list-style-type: none"> • Collegare la spina alla presa di corrente. • Controllare l'alimentazione elettrica. Chiamare l'azienda elettrica locale. • Chiamare l'assistenza per la sostituzione.

Per rivolgersi all'assistenza tecnica, visitare il nostro sito Web:

<https://corporate.haier-europe.com/en/>

Nella sezione "sito Web", scegliere la marca del proprio prodotto e il proprio paese. Si aprirà il sito Web specifico contenente il numero di telefono e il modulo per contattare l'assistenza tecnica.

Interruzione della corrente

In caso di interruzione della corrente, gli alimenti dovrebbero rimanere freddi in maniera sicura per circa 5 ore. Durante un'interruzione prolungata della corrente, soprattutto in estate, attenersi ai suggerimenti seguenti:

- ▶ Limitare al massimo l'apertura dello sportello o del cassetto.
- ▶ In caso di interruzione della corrente, non collocare altri alimenti nell'elettrodomestico.
- ▶ Se viene fornito un preavviso di interruzione della corrente di durata superiore a 5 ore, produrre un po' di ghiaccio e collocarlo nella parte superiore del comparto frigorifero.
- ▶ Dopo l'interruzione della corrente, è indispensabile controllare immediatamente gli alimenti.
- ▶ Siccome la temperatura nel frigorifero aumenta durante un'interruzione della corrente o in caso di altri guasti, il periodo di conservazione e la commestibilità degli alimenti si riducono. Per evitare rischi per la salute, gli alimenti che si scongelano devono essere immediatamente consumati oppure cotti e ricongelati (se possibile).

Funzione di memoria durante un'interruzione di corrente

Al ripristino della corrente, l'elettrodomestico riprende il funzionamento in base alle impostazioni precedenti.

Disimballo



AVVERTENZA!

- ▶ L'elettrodomestico è pesante. Per spostarlo occorrono almeno due persone.
- ▶ Tenere fuori dalla portata dei bambini tutti i materiali di imballaggio e smaltirli nel rispetto dell'ambiente.
- ▶ Estrarre l'elettrodomestico dall'imballo.
- ▶ Togliere tutti i materiali di imballo.

Condizioni ambientali

La temperatura ambiente deve essere sempre compresa tra 10 e 43 °C, poiché può influire sulla temperatura interna dell'elettrodomestico e sui consumi energetici. Non installare l'elettrodomestico vicino ad altri elettrodomestici che emettono calore (forni, frigoriferi) senza isolamento.

Spazio necessario

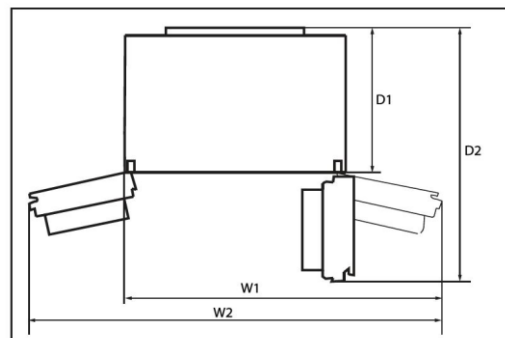
Spazio minimo quando lo sportello è aperto:

W1=1076 mm

W2=1360 mm

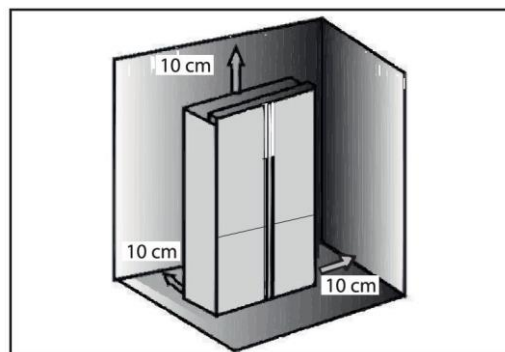
D1=628 mm

D2=1064 mm



Sezione di ventilazione

Per ottenere una ventilazione sufficiente dell'elettrodomestico per motivi di sicurezza, attenersi alle indicazioni sulle sezioni di ventilazione.

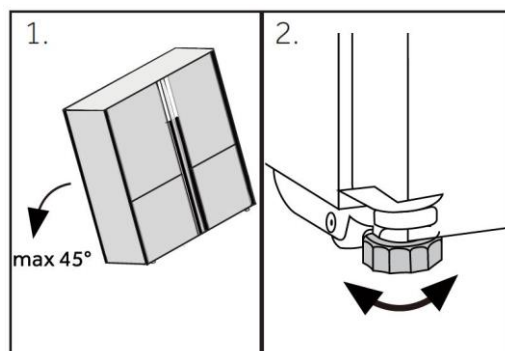


Allineamento dell'elettrodomestico

Installare l'elettrodomestico su una superficie solida e piana.

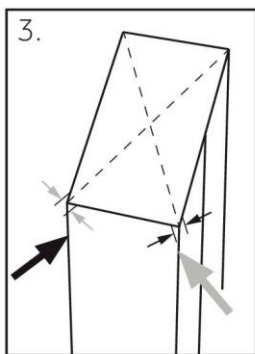
1. Inclinare leggermente il frigorifero all'indietro.
2. Regolare i piedini sul livello desiderato.

Accertarsi che la distanza dalla parete lato cerniera sia almeno 10 cm affinché lo sportello possa aprirsi correttamente.

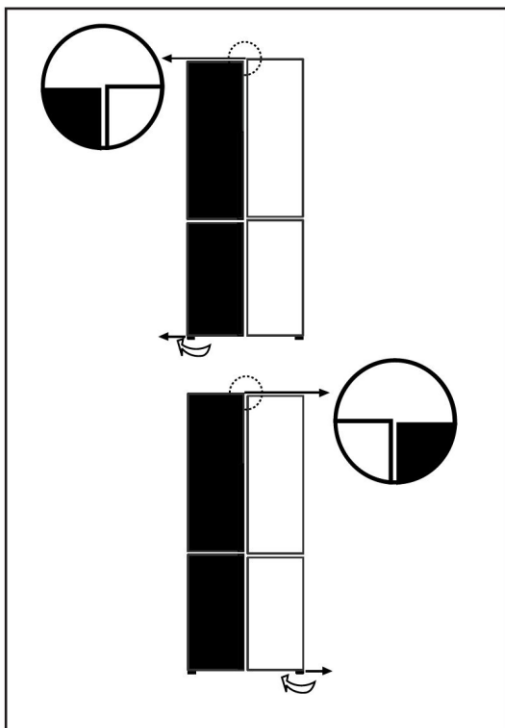


Avviso:

Per gli elettrodomestici a libera installazione: questo elettrodomestico non è progettato per l'installazione a incasso



1. La stabilità può essere verificata spingendo diagonalmente l'elettrodomestico a destra e a sinistra. Il lieve ondeggiamento deve essere identico in entrambe le direzioni. In caso contrario, il telaio potrebbe deformarsi e le guarnizioni dello sportello potrebbero perdere. Una lieve inclinazione posteriore facilita la chiusura degli sportelli.



Regolazione precisa degli sportelli

Se gli sportelli sono a livello, attenersi alla procedura seguente:

Utilizzo del piedino regolabile

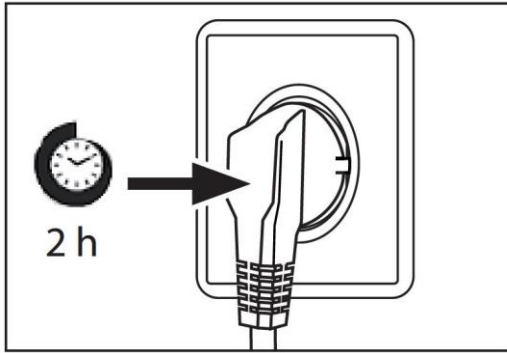
Ruotare il piedino regolabile nella direzione indicata dalla freccia per sollevarlo o abbassarlo.

Contattare l'assistenza post-vendita se necessario.



Avviso:

Nell'uso futuro del frigorifero, il fenomeno degli sportelli non a livello può verificarsi a causa del peso degli alimenti conservati. Per risolvere il problema, utilizzare i metodi descritti sopra.



Tempo di attesa

L'olio di lubrificazione esente da manutenzione si trova nella capsula del compressore. Questo olio può percorrere il sistema di tubazioni chiuse durante il trasporto. Prima di collegare l'elettrodomestico all'alimentazione elettrica, attendere almeno 2 ore in modo che l'olio torni nella capsula.

Collegamento elettrico

Prima di ogni collegamento, effettuare i seguenti controlli:

- ▶ La fonte di alimentazione, la presa e i fusibili sono conformi ai dati indicati nella targhetta.
- ▶ La presa di corrente è collegata a terra e non sono utilizzate prese multiple o prolunghe.
- ▶ La spina e la presa di corrente sono compatibili.


Collegare la spina a una presa domestica installata correttamente.



AVVERTENZA!

Per evitare rischi, un cavo di alimentazione danneggiato deve essere sostituito dall'assistenza clienti (v. scheda di garanzia).

Specifiche del prodotto secondo il regolamento UE n. 2019/2016

Marchio	Haier
Nome / identificativo del modello	HCW58F18EWMP
Categoria del modello	Frigorifero-congelatore
Classe di efficienza energetica	E
Consumo energetico annuo (kWh/anno)(1)	297
Volume totale (litri)	507
Volume frigorifero (litri)	321
Volume congelatore (litri)	87
Volume comparto a temperatura variabile (litri)	99
Prestazioni (stelle)	
Temperatura degli altri comparti > 14 °C	Non applicabile
Sistema senza formazione di brina	Si
Capacità di congelamento (kg/24 h)	6
Classe climatica (2)	SN-N-ST
Classe di emissione di rumore ed emissioni acustiche aeree (db(A) re 1pW)	C(38)
Tempo di aumento della temperatura (h)	9
Tipo di elettrodomestico	Indipendente
Altro	-

Descrizioni:

• Sì

- (1) In base ai risultati del test di conformità agli standard per 24 ore. Il consumo effettivo dipende dall'uso e dalla posizione dell'elettrodomestico.
- (2) Classe climatica SN: questo elettrodomestico è destinato all'uso con temperature ambiente comprese tra +10 °C e +32 °C.
 Classe climatica N: questo elettrodomestico è destinato all'uso con temperature ambiente comprese tra +16 °C e +32 °C.
 Classe climatica ST: questo elettrodomestico è destinato all'uso con temperature ambiente comprese tra +16 °C e +38 °C.
 Classe climatica T: questo elettrodomestico è destinato all'uso con temperature ambiente comprese tra +16 °C e +43 °C.

Dati tecnici supplementari

Tensione / Frequenza	220-240 V ~ / 50 Hz
Corrente di ingresso (A)	1,5
Fusibile principale (A)	16
Refrigerante	R600a
Dimensioni (A/L/P in mm)	1775 / 830 / 705

Si consiglia di rivolgersi all'Assistenza Clienti Haier e di utilizzare ricambi originali.
In caso di problemi con l'elettrodomestico, consultare prima la sezione SOLUZIONE DEI PROBLEMI.

Se non si riesce a trovare una soluzione, contattare

- ▶ il rivenditore locale o
- ▶ lo European Call Service-Center (vedere i numeri di telefono elencati di seguito) o
- ▶ l'area Service & Support su www.haier.com dove è possibile chiedere assistenza
- ▶ e trovare risposte a domande frequenti.

Per contattare l'assistenza, procurarsi i dati seguenti.
Le informazioni si trovano sulla targhetta.

Modello _____

N. di serie _____

Controllare anche la scheda di garanzia fornita con il prodotto.

European Call Service-Center		
Paese*	Numero di telefono	Costi
Haier Italy (IT)	199 100 912	
Haier Spain (ES)	902 509 123	
Haier Germany (DE)	0180 5 39 39 99	<ul style="list-style-type: none">• 14 cent/min su linea fissa• max 42 cent/min su linea mobile
Haier Austria (AT)	0820 001 205	<ul style="list-style-type: none">• 14,53 cent/min su linea fissa• max 20 cent/min su altre linee
Haier United Kingdom (UK)	0333 003 8122	
Haier France (FR)	0980 406 409	

* Per altri paesi. fare riferimento al sito www.haier.com

Haier Europe Trading S.r.l

Filiale Regno Unito

Westgate House, Westgate, Ealing

London, W5 1YY

*Durata della garanzia dell'elettrodomestico:

Garanzia minima: 2 anni per i paesi UE, 3 anni per la Turchia, 1 anno per il Regno Unito, 1 anno per la Russia, 3 anni per la Svezia, 2 anni per la Serbia, 5 anni per la Norvegia, 1 anno per il Marocco, 6 mesi per l'Algeria; per la Tunisia non è obbligatoria alcuna garanzia legale.

*Periodo di disponibilità dei pezzi di ricambio per la riparazione dell'elettrodomestico:

Termostati, sensori di temperatura, circuiti stampati e lampade rimangono disponibili per almeno sette anni dopo l'immissione sul mercato dell'ultima unità del modello.

Maniglie e cerniere degli sportelli, vassoi e cestelli rimangono disponibili per almeno di sette anni e le guarnizioni degli sportelli per almeno dieci anni dopo l'immissione sul mercato dell'ultima unità del modello.

*Per ulteriori informazioni sul prodotto, consultare <https://eprel.ec.europa.eu/> o effettuare una scansione del codice QR apposto sull'etichetta fornita con l'elettrodomestico.

2022 Version B

Haier Smart Home Co.,Ltd.
No.1 Haier Road,Haier Industry Park,Hi-Tech Zone,
266103 Qingdao,Shandong,China
MADE IN CHINA

Haier



0060535245



Gebruikershandleiding

Koelvriescombinatie

HCW58F18EWMP

NL

Haier

Bedankt voor de aankoop van dit Haier-product.

Lees deze instructies zorgvuldig door voordat u dit apparaat gebruikt. De instructies bevatten belangrijke informatie die u helpt het beste uit het apparaat te halen en veilige en correcte installatie, gebruik en onderhoud te waarborgen.

Bewaar deze handleiding op een handige plaats zodat u hem altijd kunt raadplegen voor een veilig en correct gebruik van het apparaat.

Als u het apparaat verkoopt, weggeeft of achterlaat wanneer u verhuist, zorg er dan voor dat u deze handleiding ook overdraagt, zodat de nieuwe eigenaar het apparaat en de veiligheids-waarschuwingen kan leren kennen.

Legenda



Waarschuwing – Belangrijke veiligheidsinformatie



Algemene informatie en tips



Milieu-informatie

Verwijdering



Help het milieu en de menselijke gezondheid te beschermen. Doe de verpakking in de daarvoor bestemde containers om deze te recyclen. Help het afval van elektrische en elektronische apparaten te recyclen. Gooi apparaten met dit symbool niet weg bij het huisvuil. Lever het product in bij uw plaatselijke recyclingfaciliteit of neem contact op met uw gemeentekantoor.



WAARSCHUWING!

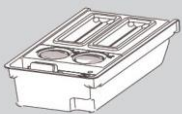
Gevaar voor letsel of verstikking!

Koelmiddelen en gassen moeten professioneel worden verwijderd. Controleer of de leidingen van het koelmiddelcircuit niet zijn beschadigd voordat ze op de juiste manier worden afgevoerd. Haal de stekker van het apparaat uit het stopcontact. Knip het netsnoer af en gooi het weg. Verwijder de bakken en laden en de deurvergrendeling en -afdichtingen, om te voorkomen dat kinderen en huisdieren in het apparaat worden opgesloten.

Veiligheidsinformatie.....	4
Productbeschrijving.....	10
Bedieningspaneel.....	11
Gebruik.....	12
Apparatuur.....	26
Onderhoud en reiniging.....	29
Problemen oplossen.....	32
Installatie.....	35
Technische gegevens.....	38
Klantenservice.....	40

Accessoires

Controleer de accessoires en literatuur in overeenstemming met deze lijst:



Ijsblokjesmachine
met ijschep



3 tussenstukken



Energielabel



Garantiekaart



Gebruikershandleiding
'OK'-sticker
Gebruikershandleiding

Opmerking: Alleen voor model HCW58F18EWMP

Lees voordat u het apparaat voor het eerst inschakelt de volgende veiligheidstips:



WAARSCHUWING!

Vóór het eerste gebruik

- ▶ Controleer of er geen transportschade is.
- ▶ Verwijder alle verpakkingsmaterialen en houd ze buiten het bereik van kinderen.
- ▶ Wacht ten minste twee uur voordat u het apparaat installeert, om er zeker van te zijn dat het koelmiddelcircuit volledig werkt.
- ▶ Verplaats het apparaat altijd met ten minste twee personen, het is namelijk zwaar.

Installatie

- ▶ Het apparaat moet op een goed geventileerde plaats worden geplaatst. Zorg voor een ruimte van ten minste 10 cm boven en rond het apparaat.
- ▶ Plaats het apparaat nooit in een vochtige ruimte of op een plaats waar het met water kan worden bespat. Reinig en droog waterspatten en vlekken met een zachte, schone doek.
- ▶ Installeer het apparaat niet in direct zonlicht of in de buurt van warmtebronnen (bijv. kachels, verwarmingstoestellen).
- ▶ Installeer het apparaat waterpas op een plaats die geschikt is voor de grootte en het gebruik ervan.
- ▶ **WAARSCHUWING:** Zorg ervoor dat de ventilatieopeningen in het apparaat of in de ingebouwde constructie open blijven.
- ▶ Controleer of de elektrische informatie op het typeplaatje overeenkomt met de stroomvoorziening. Als dat niet het geval is, neem dan contact op met een elektricien.
- ▶ Het apparaat wordt gebruikt met een voeding van 220–240 VAC/50 Hz. Abnormale spanningsschommelingen kunnen ertoe leiden dat het apparaat niet start of dat de temperatuurregeling of de compressor beschadigd raakt of dat er tijdens het gebruik een abnormaal geluid optreedt. In dat geval moet er een automatische regelaar worden gemonteerd.
- ▶ Gebruik geen stekkerdozen en verlengkabels.
- ▶ **WAARSCHUWING:** Plaats niet meerdere draagbare stopcontacten of draagbare voedingen op de achterkant van het apparaat.
- ▶ **WAARSCHUWING:** Zorg er bij het neerzetten van het apparaat voor dat het netsnoer niet bekneld of beschadigd raakt.
- ▶ Ga niet op de stroomkabel staan.
- ▶ Gebruik een apart geaard stopcontact voor de stroomvoorziening, dat gemakkelijk toegankelijk is. Het apparaat moet geaard zijn.

**WAARSCHUWING!**

- ▶ **Alleen voor Groot-Brittannië:** Het netsnoer van het apparaat is voorzien van een 3-aderige (geaarde) stekker die past op een standaard 3-aderig (geaard) stopcontact. De derde pin (aarding) mag nooit worden afgesneden of gedemonteerd. Nadat het apparaat is geïnstalleerd, moet de stekker bereikbaar zijn.
- ▶ **WAARSCHUWING:** Beschadig het koelcircuit niet.

Dagelijks gebruik

- ▶ Dit apparaat mag worden gebruikt door kinderen vanaf 8 jaar en door personen met verminderde lichamelijke, zintuiglijke of geestelijke vermogens of met een gebrek aan kennis en ervaring, mits zij onder toezicht worden gehouden of instructies hebben gekregen om het apparaat veilig te kunnen gebruiken en de gevaren begrijpen die ermee gepaard gaan.
- ▶ Kinderen mogen niet met het apparaat spelen.
- ▶ Kinderen van 3 tot 8 jaar mogen wel koelapparatuur inladen en uitladen, maar niet reinigen en installeren.
- ▶ Houd kinderen onder de 3 jaar uit de buurt van het apparaat, tenzij ze voortdurend onder toezicht staan.
- ▶ Het schoonmaken en het onderhoud mag niet door kinderen worden uitgevoerd als er geen toezicht is.
- ▶ Het apparaat moet zo worden geplaatst dat de stekker bereikbaar is.
- ▶ Als er koolgas of ander brandbaar gas in de buurt van het apparaat lekt, moet u het ventiel van het lekkende gas sluiten, de deuren en ramen openen en mag u de stekker van de koelvriescombinatie of een ander apparaat niet uit het stopcontact halen.
- ▶ Let op, het apparaat is ingesteld om te werken bij het specifieke omgevingstemperatuurbereik van 10 tot 38°C. Het apparaat kan gedurende lange tijd bij een temperatuur boven of onder het aangegeven bereik niet goed werken.
- ▶ Plaats geen onstabiele voorwerpen (zware voorwerpen, containers gevuld met water) boven op de koelvriescombinatie, om persoonlijk letsel door vallen of elektrische schokken door contact met water te voorkomen.
- ▶ Trek niet aan de deurschappen. De deur kan scheefgetrokken worden, het flessenrek kan eruit worden getrokken, of het apparaat kan omvallen.
- ▶ Open en sluit de deur alleen met de handgrepen. De ruimte tussen de deur en de kast is zeer smal. Steek uw handen niet in deze ruimtes, om te voorkomen dat uw vingers bekneld raken. Open of sluit de deuren van de koelvriescombinatie alleen als er geen kinderen zijn die zich binnen het bewegingsbereik van de deur bevinden.



WAARSCHUWING!

- ▶ Volg de volgende instructies om besmetting van voedsel te voorkomen:
- ▶ – Het langere tijd open houden van de deur kan leiden tot een aanzienlijke verhoging van de temperatuur in de compartimenten van het apparaat.
- ▶ – Reinig oppervlakken die in contact kunnen komen met voedsel en toegankelijke afvoersystemen regelmatig.
- ▶ – Maak waterreservoirs schoon als ze 48 uur niet zijn gebruikt. Spoel het watersysteem dat is aangesloten op een watertoevoer als er gedurende 5 dagen geen water is getapt.
- ▶ – Bewaar rauw vlees en rauwe vis in geschikte bakken in de koelkast, zodat ze niet in contact komen met of op ander voedsel druppen.
- ▶ – Vriezercompartimenten met twee sterren zijn geschikt voor het bewaren van diepgevroren levensmiddelen, het bewaren of maken van ijs en het maken van ijsblokjes.
- ▶ – Compartimenten met één ster, twee sterren en drie sterren zijn niet geschikt voor het invriezen van vers voedsel.
- ▶ – Als het koelapparaat langere tijd leeg wordt gelaten, moet u het uitschakelen, ontdooien, reinigen en drogen, en de deur openzetten om te voorkomen dat er zich in het apparaat schimmel ontwikkelt.
- ▶ Bewaar bier en dranken of andere vloeistoffen in flessen of blikjes (met uitzondering van sterke drank), met name koolzuurhoudende dranken, nooit in de vriezer, omdat deze tijdens het invriezen barsten.
- ▶ Sla geen explosieve stoffen, zoals spuitbussen met een brandbaar drijfgas, op in dit apparaat.
- ▶ Bewaar geen geneesmiddelen, bacteriën of chemische middelen in het apparaat. Dit is een huishoudelijk apparaat. Het wordt niet aanbevolen om materialen op te slaan die strikte temperaturen vereisen.
- ▶ Controleer de staat van het voedsel als er sprake van opwarming is geweest in de vriezer.
- ▶ Stel de temperatuur in het koelkastgedeelte niet onnodig laag in. Bij een hoge instelling kunnen temperaturen onder nul optreden. Let op: Flessen kunnen barsten
- ▶ Raak geen bevroren producten aan met natte handen (draag handschoenen). Eet vooral ijsjes niet onmiddellijk na verwijdering uit het vriezergedeelte op. Er bestaat het risico op bevroren of vriesblaren. Eerste hulp: houd onmiddellijk onder de koude kraan. Niet lostrekken!
- ▶ Raak het binnenoppervlak van het vriezergedeelte niet aan wanneer het in werking is, vooral niet met natte handen, omdat uw handen aan het oppervlak vast kunnen vriezen.
- ▶ Haal de stekker van het apparaat uit het stopcontact wanneer er een stroomonderbreking optreedt of voordat u het schoonmaakt. Laat het

**WAARSCHUWING!**

apparaat minstens 7 minuten rusten voordat u het opnieuw opstart, omdat vaak starten de compressor kan beschadigen.

- ▶ **WAARSCHUWING:** Gebruik geen elektrische apparaten in de bewaar-ruimten voor levensmiddelen van het apparaat, tenzij deze van het type zijn dat door de fabrikant wordt aanbevolen.

Onderhoud/reiniging

- ▶ Zorg ervoor dat kinderen onder toezicht staan als ze schoonmaak en onderhoud uitvoeren.
- ▶ Haal de stekker van het apparaat uit het stopcontact voordat u routineonderhoud uitvoert. Laat het apparaat minstens 5 minuten rusten voordat u het opnieuw opstart, omdat vaak starten de compressor kan beschadigen.
- ▶ Houd de stekker vast, niet het snoer, wanneer u de stekker uit het stopcontact haalt.
- ▶ Reinig het apparaat niet met harde borstels, draadborstels, waspoeder, benzine, amylacetaat, aceton en soortgelijke organische oplossingen, zure of alkalische oplossingen. Reinig het apparaat met een speciaal reinigingsmiddel voor koelkasten/vriezers om schade te voorkomen. U kunt eventueel ook een oplossing van warm water en zuiveringszout gebruiken – ongeveer een eetlepel zuiveringszout per liter water. Spoel grondig af met water en veeg droog. Gebruik geen schoonmaakpoeder of andere schurende middelen. Was verwijderbare onderdelen niet in een vaatwasser.
- ▶ Schraap vorst en ijs niet af met scherpe voorwerpen. Gebruik geen sprays, elektrische verwarmingstoestellen zoals haardrogers, stoomreinigers of andere warmtebronnen om schade aan de kunststof onderdelen te voorkomen.
- ▶ **WAARSCHUWING:** Gebruik geen mechanische apparaten of andere middelen om het ontdooien te versnellen, behalve als deze door de fabrikant worden aanbevolen.
- ▶ Als het netsnoer beschadigd is, moet het worden vervangen door de fabrikant, diens servicevertegenwoordiger of vergelijkbaar gekwalificeerde personen om gevaar te voorkomen.
- ▶ Probeer het apparaat niet zelf te repareren, te demonteren of te wijzigen. In geval van reparatie kunt u contact opnemen met onze klantenservice.
- ▶ Als de lampen zijn beschadigd, moeten deze worden vervangen door de fabrikant, diens servicevertegenwoordiger of vergelijkbaar gekwalificeerde personen om gevaar te voorkomen.
- ▶ Verwijder het stof aan de achterkant van het toestel ten minste eenmaal per jaar om brandgevaar en een verhoogd energieverbruik te voorkomen.
- ▶ Spuit niet op het apparaat en spoel het niet af tijdens het reinigen.



WAARSCHUWING!

- ▶ Gebruik geen waterstraal of stoom om het apparaat schoon te maken.
- ▶ Reinig de koude glazen planken of deuren niet met heet water. Door plotselinge temperatuurveranderingen kan het glas breken.
- ▶ Als u het apparaat voor langere tijd buiten gebruik laat, laat het dan open staan om te voorkomen dat er binnenin onaangename geuren ontstaan.

Informatie over koelgas



WAARSCHUWING!

Het apparaat bevat het brandbare koelmiddel ISOBUTAAN (R600a). Controleer of het koelcircuit tijdens transport of installatie niet is beschadigd. Lekkend koelmiddel kan oogletsel veroorzaken of ontbranden. Houd bij beschadiging open vuurbronnen uit de buurt, ventileer de ruimte grondig en trek de stekker van het apparaat of andere apparaten **niet** uit het stopcontact. Informeer de klantenservice.

Als de ogen in contact komen met het koelmiddel, spoel het dan onmiddellijk onder stromend water af en bel onmiddellijk de oogspecialist.

WAARSCHUWING: Het koelsysteem staat onder hoge druk. Wijzig er niets aan. Aangezien er brandbare koelmiddelen worden gebruikt, moet u het apparaat volgens de aanwijzingen installeren, verplaatsen en onderhouden en moet u contact opnemen met de professionele vertegenwoordiger of onze klantenservice om het apparaat te verwijderen.



WAARSCHUWING!

Let op de volgende waarschuwing voor koelkasten met ijswaterfunctie:

Voor apparaten die niet zijn bedoeld om op de waterleiding te worden aangesloten:

WAARSCHUWING: Vul alleen met drinkwater.

Voor apparaten die zijn bedoeld om op de waterleiding te worden aangesloten:

WAARSCHUWING: Alleen aansluiting op de drinkwatervoorziening.

Raadpleeg de gebruikershandleiding als u het watersysteem wilt reinigen. Mocht u vragen hebben, neem dan contact op met de klantenservice.

Beoogd gebruik

Dit apparaat is bedoeld voor het koelen en invriezen van voedsel. Het is uitsluitend ontworpen voor gebruik in huishoudelijke en soortgelijke toepassingen, zoals personeelskeukens in winkels, kantoren en andere werkomgevingen; op boerderijen en door gasten in hotels, motels en andere woonomgevingen, maar ook in bed and breakfasts en bij cateringbedrijven. Het is niet bedoeld voor commercieel of industrieel gebruik.

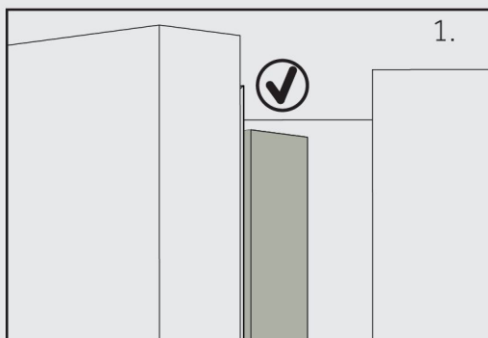
Wijzigingen of aanpassingen aan het apparaat zijn niet toegestaan. Onbedoeld gebruik kan risico's en verlies van garantieclaims veroorzaken.

Normen en richtlijnen **CE** en **UKCA**

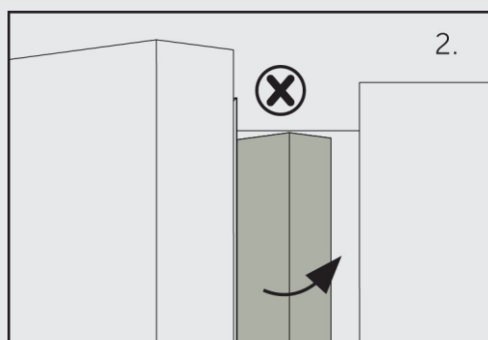
Dit product voldoet aan de eisen van alle toepasselijke EG-richtlijnen met de bijbehorende geharmoniseerde normen en normen van het VK die voorzien in een CE- en UKCA-markering.



VOORZICHTIG!



Bij het sluiten van de deur moet de verticale deurstrip op de linkerdeur van de koelkast naar binnen gebogen zijn (1).



Als u de linkerdeur probeert te sluiten en de verticale deurstrip is niet gebogen (2), dan moet u hem eerst buigen, anders raakt de deurstrip de bevestigingsas of de rechterdeur. Hierdoor zal er schade aan de deurstrip of lekkage optreden.

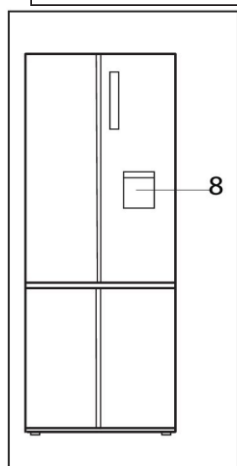
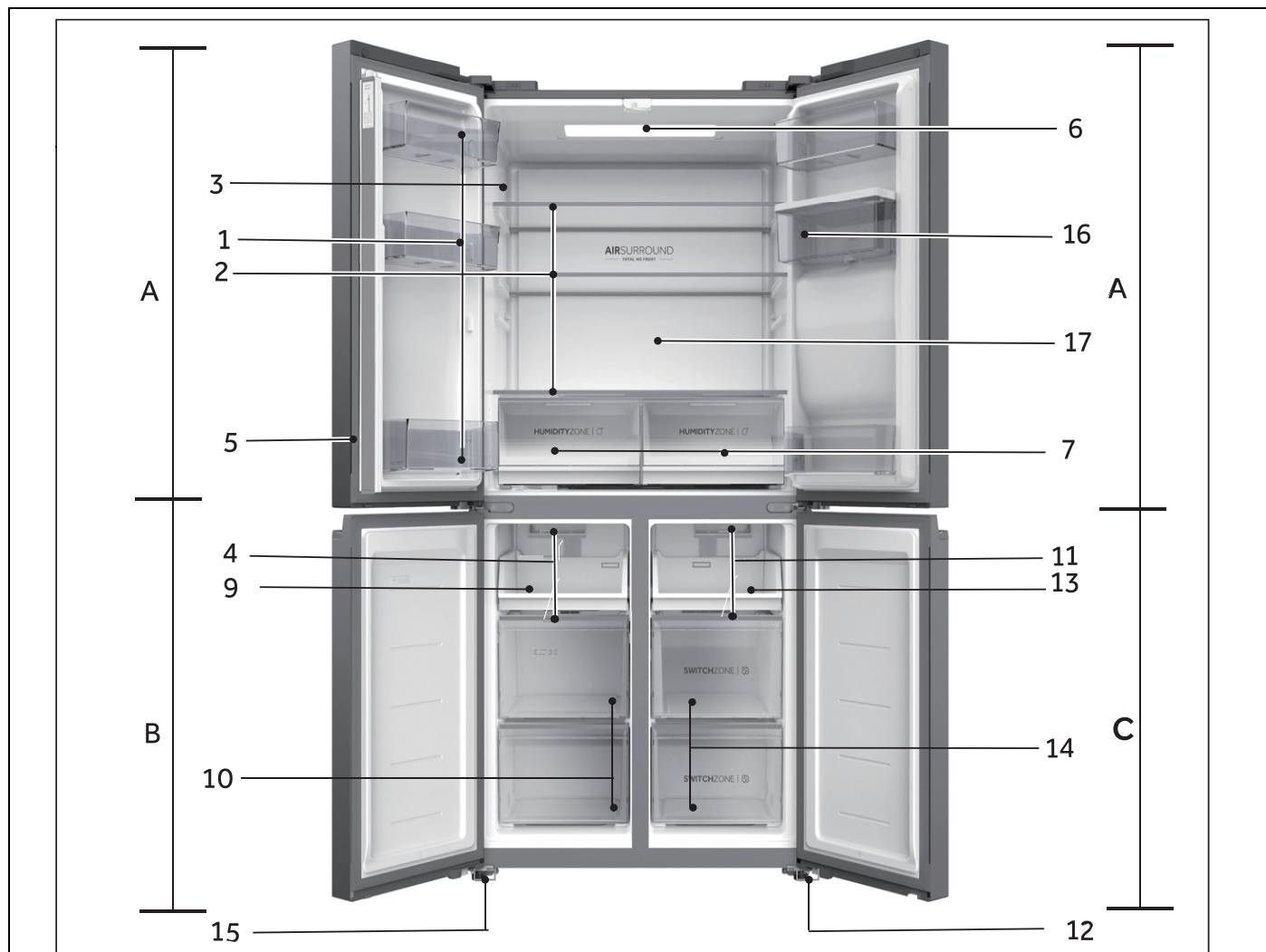
In het frame zit een verwarmingsdraad. De temperatuur van het oppervlak zal wat stijgen, wat normaal is en de werking van het apparaat niet beïnvloedt.



Let op

Door technische wijzigingen en verschillende modellen kunnen sommige afbeeldingen in deze handleiding afwijken van uw model.

Model (HCW58F18EWMP)



A: Koelkastgedeelte

- 1 Deursbak
- 2 Koelkastplank
- 3 Typeplaatje
- 5 Deurstrip
- 6 Plafondlamp
- 7 Humidity Zone-lade
- 8 Waterdispenser
- 16 Waterreservoir
- 17 Luchtkanaal

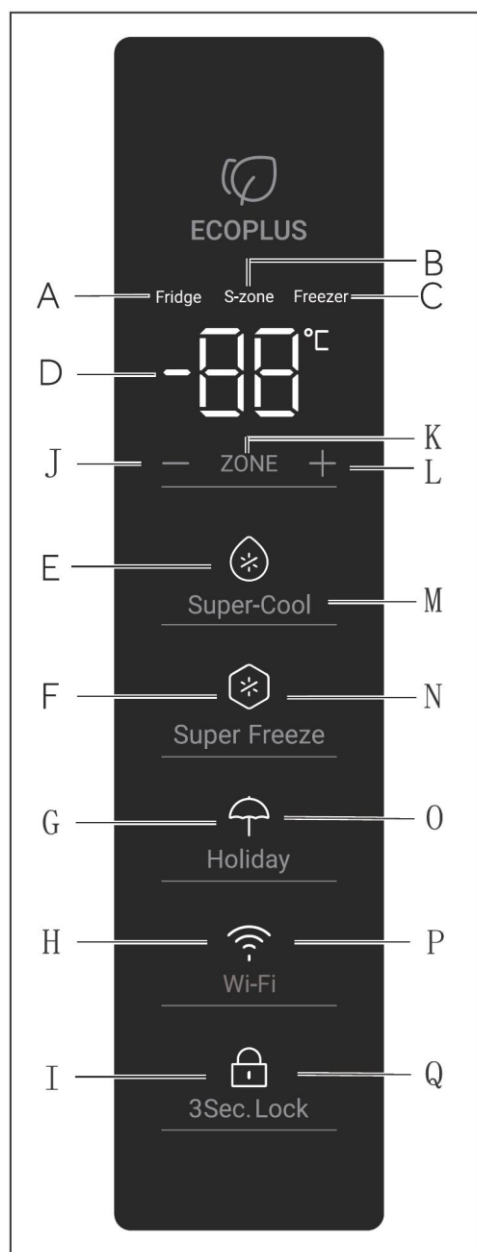
B: Vriezergedeelte

- 4 Luchtkanaal
- 9 Opbergbak
- 10 Opberglade
- 15 Verstelbare pootjes

C: Switch Zone-gedeelte

- 11 Luchtkanaal
- 12 Verstelbare pootjes
- 13 Opbergbak
- 14 Switch Zone-opberglade

Bedieningspaneel (HCW58F18EWMP)



Indicator:

- A Koelkastgedeelte
- B Switch Zone
- C Vriezergedeelte
- D Temperatuurweergave
- E Super Cool-functie
- F Super Freeze-functie
- G Holiday-modus
- H Wififunctie
- I Paneelvergrendeling

Toetsen:

- J Temperatuurregeling '-'
- K Selectie compartimenten
- L Temperatuurregeling '+'
- M Keuzetoets Super Cool-functie
- N Keuzetoets Super Freeze-functie
- O Keuzetoets Holiday-modus
- P Wififunctie aan/uit
- Q Keuzetoets paneelvergrendeling

Vóór het eerste gebruik

- ▶ Verwijder alle verpakkingsmaterialen, houd ze buiten bereik van kinderen en gooi ze op een milieuvriendelijke manier weg.
- ▶ Reinig de binnen- en de buitenkant van het apparaat met water en een mild reinigingsmiddel voordat u er voedingsmiddelen in plaatst.
- ▶ Nadat het apparaat waterpas is gezet en is schoongemaakt, moet u minstens 2–5 uur wachten voordat u het aansluit op het elektriciteitsnet. Raadpleeg hoofdstuk INSTALLATIE.
- ▶ Koel de compartimenten op hoge instellingen voor voordat u het voedsel erin zet. De Power-Freeze-functie helpt om de compartimenten snel af te koelen.
- ▶ De temperatuur van de koelkast, van de Switch Zone en van de vriezer worden automatisch ingesteld op respectievelijk 5°C, -18°C en -18°C. Dit zijn de aanbevolen instellingen. Als u wilt, kunt u deze temperaturen handmatig veranderen. Raadpleeg DE TEMPERATUUR AANPASSEN.

Sensortoetsen

De toetsen op het bedieningspaneel zijn sensortoetsen, die al reageren als ze licht met de vinger worden aangeraakt.

Het apparaat in-/uitschakelen

Het apparaat werkt zodra het op de voeding is aangesloten.

Wanneer de koelkast voor het eerst wordt ingeschakeld, licht de indicator 'D' (Temperatuurweergave) op. De temperatuur van de koelkast, van de Switch Zone en van de vriezer worden automatisch ingesteld op respectievelijk 5°C, -18°C en -18°C.

Mogelijk is de paneelvergrendeling actief.



Let op

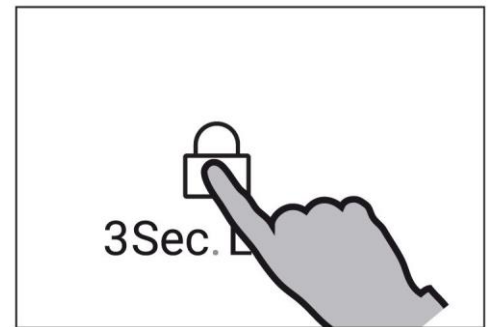
Het apparaat is vooraf ingesteld op de aanbevolen temperatuur van 5°C (koelkast), -18°C, (Switch Zone) en -18°C (vriezer). In normale omgevingscondities hoeft u geen temperatuur in te stellen.

Wanneer het apparaat wordt ingeschakeld nadat de stekker uit het stopcontact is gehaald, kan het tot wel 12 uren duren voordat de juiste temperaturen zijn bereikt.

Leeg het apparaat voordat u het uitschakelt. Trek het netsnoer uit het stopcontact om het apparaat uit te schakelen.

Paneel vergrendelen/ontgrendelen

Het beeldscherm wordt 30 seconden na het indrukken van een toets automatisch uitgeschakeld. Het scherm wordt automatisch vergrendeld. Het licht automatisch op bij het indrukken van een toets of het openen van een deur.



Let op

Koelkasttemperatuur, Switch Zone-temperatuur, vriezertemperatuur, Super Cool-functie, Super Freeze-functie, Holiday-modus, Wififunctie kunnen niet worden aangepast in vergrendelde toestand.

Stand-bymodus

Het display wordt 30 seconden nadat het op een toets is gedrukt automatisch uitgeschakeld. Het display wordt automatisch vergrendeld. Het licht automatisch op als een toets wordt aangeraakt of de deur wordt geopend. (Een alarm doet het display niet oplichten.)

De modus handmatig veranderen

Als u de temperatuur van het apparaat handmatig wilt aanpassen, kunt u dit instellen via een toets voor het aanpassen van de temperatuur (raadpleeg DE TEMPERATUUR AANPASSEN).

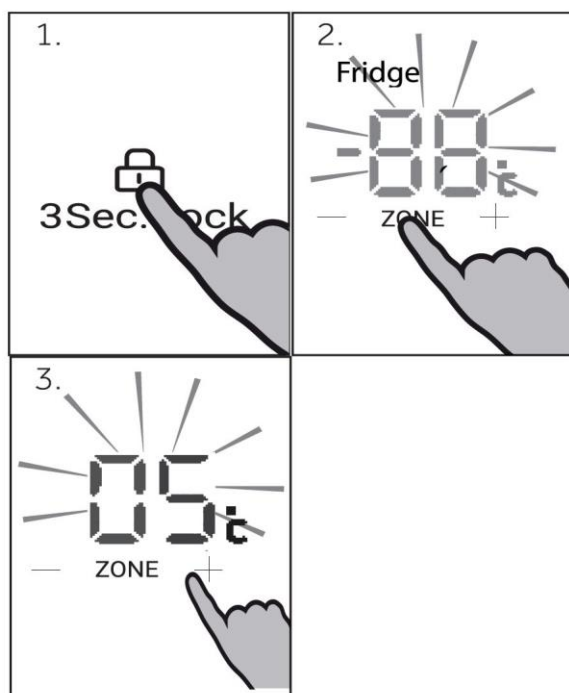
De temperatuur aanpassen

De binnentemperaturen worden beïnvloed door de volgende factoren:

- ▶ Omgevingstemperatuur
- ▶ Frequentie van het openen van de deur
- ▶ Hoeveelheid opgeslagen voedsel
- ▶ Installatie van het apparaat

Alarm van de deur

Het deuralarm gaat aan als de deur lange tijd open staat of niet goed is gesloten; als herinnering.



De koelkasttemperatuur aanpassen

Ontgrendel de instellingen door 3 seconden lang op de toets 'Q' te drukken.

Druk in ontgrendelde toestand op de toets 'K' (selectie van het compartiment) om te schakelen tussen de compartimenten. Wanneer de indicator 'A' (indicatielampje koelkastgedeelte) gaat branden, drukt u op de toets 'J' (Temperatuurregeling '-') of toets 'L' (Temperatuurregeling '+') om de temperatuur van het koelkastgedeelte aan te passen. De waarde op de indicator 'D' daalt met 1°C elke keer als de toets 'J' wordt ingedrukt.

Het display knippert en blijft daarna branden met de ingestelde temperatuur. Vervolgens gaat hij na een paar seconden uit. Net zo, stijgt de waarde op de indicator 'D' met 1°C elke keer als de toets 'L' wordt ingedrukt. Het display knippert en blijft daarna branden met de ingestelde temperatuur. Vervolgens gaat hij na een paar seconden uit. De temperatuur van het koelkastgedeelte kan worden ingesteld van 1°C tot 9°C met stapjes van 1°C.



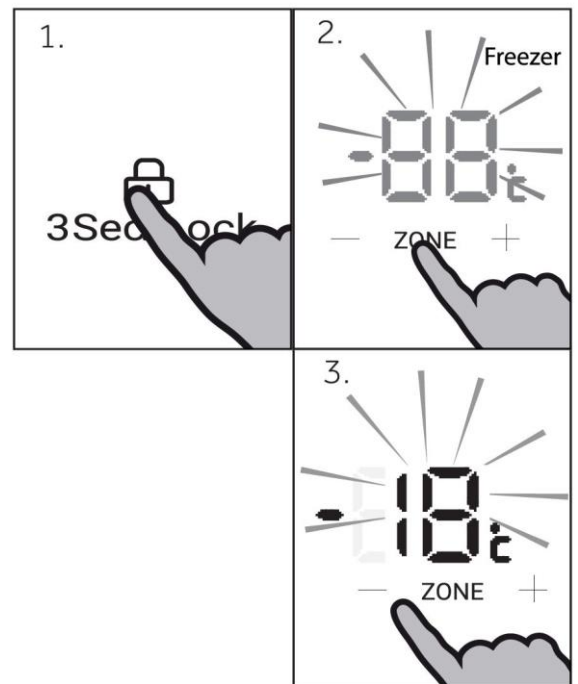
Let op

De temperatuur van de koelkast kan niet worden aangepast in de modus Super Cool of Holiday, of in vergrendelde toestand.

De vriezertemperatuur aanpassen

Ontgrendel de instellingen door 3 seconden lang op de toets 'Q' te drukken.

Druk in ontgrendelde toestand op de toets 'K' (selectie van het compartiment) om te schakelen tussen de compartimenten. Wanneer de indicator 'C' (indicatie-lampje vriezergedeelte) gaat branden, drukt u op de toets 'J' (Temperatuurregeling '-') of toets 'L' (Temperatuurregeling '+') om de temperatuur van het vriezergedeelte aan te passen. De waarde op de indicator 'D' daalt met 1°C elke keer als de toets 'J' wordt ingedrukt. Het display knippert en blijft daarna branden met de ingestelde temperatuur. Vervolgens gaat hij na een paar seconden uit. Net zo, stijgt de waarde op de indicator 'D' met 1°C elke keer als de toets 'L' wordt ingedrukt. Het display knippert en blijft daarna branden met de ingestelde temperatuur. Vervolgens gaat hij na een paar seconden uit. De temperatuur van het vriezergedeelte kan worden ingesteld van -14°C tot -24°C met stapjes van 1°C.



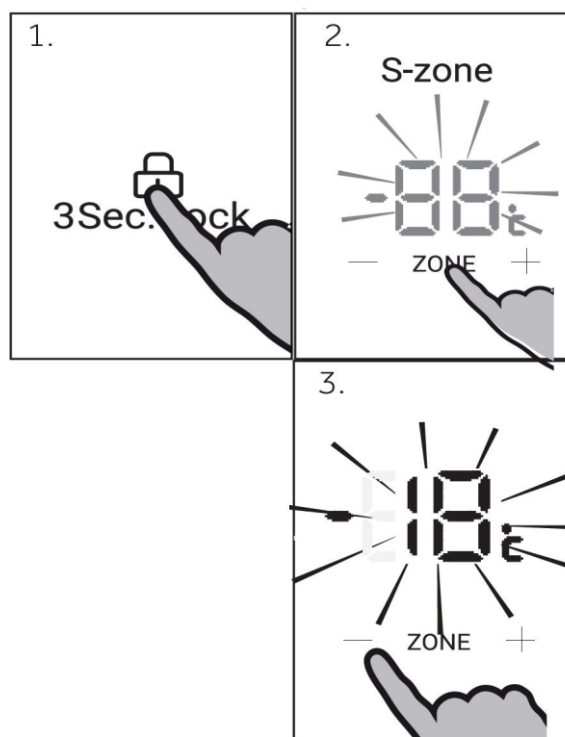
Let op

De temperatuur van de vriezer kan niet worden aangepast in de modus Super Freeze of in vergrendelde toestand.

De temperatuur van de Switch Zone aanpassen

Ontgrendel de instellingen door 3 seconden lang op de toets 'Q' te drukken.

Druk in ontgrendelde toestand op de toets 'K' (selectie van het compartiment) om te schakelen tussen de compartimenten. Wanneer de indicator 'B' (indicatielampje Switch Zone) gaat branden, drukt u op de toets 'J' (Temperatuurregeling '-') of toets 'L' (Temperatuurregeling '+') om de temperatuur van het Switch Zone-gedeelte aan te passen. De waarde op de indicator 'D' daalt met 1°C elke keer als de toets 'J' wordt ingedrukt. Het display knippert en blijft daarna branden met de ingestelde temperatuur. Vervolgens gaat hij na een paar seconden uit. Net zo, stijgt de waarde op de indicator 'D' met 1°C elke keer als de toets 'L' wordt ingedrukt. Het display knippert en blijft daarna branden met de ingestelde temperatuur. Vervolgens gaat hij na een paar seconden uit. De temperatuur van het Switch Zone-gedeelte kan worden ingesteld van 5°C tot -18°C met stapjes van 1°C.



i Let op

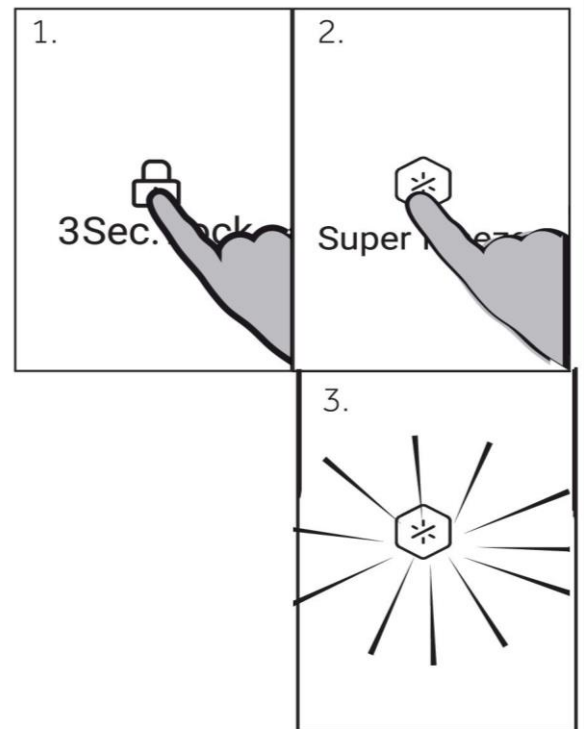
De temperatuur van de Switch Zone kan niet worden aangepast in vergrendelde toestand.

Super Freeze-functie

De Super Freeze-functie kan verse voedsel zo snel mogelijk tot de kern invriezen door het invriesproces te versnellen om de beste voedingswaarden van het voedsel, hoe het eruit ziet en hoe het smaakt te behouden. Als u eenmaal een grote hoeveelheid voedsel moet invriezen, is het raadzaam de Super Freeze-functie 24 uur vóór het gebruik van het vriezergedeelte in te stellen.

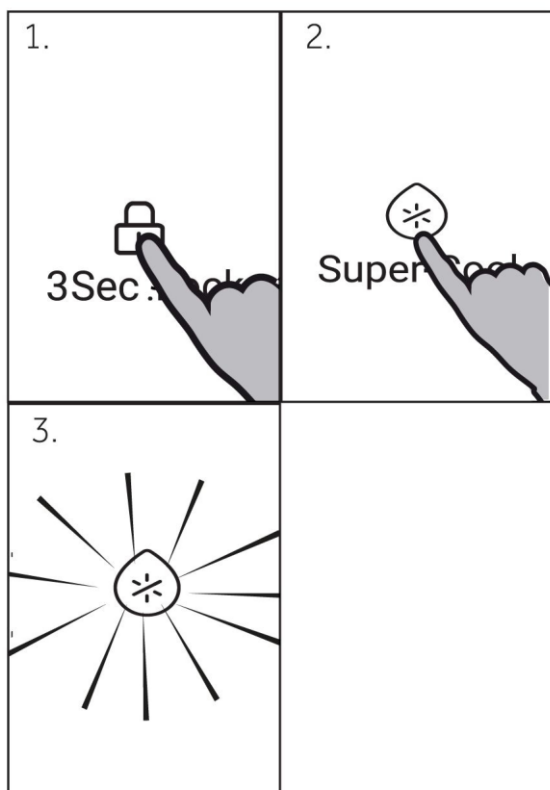
Ontgrendel de instellingen door 3 seconden lang op de toets 'Q' te drukken.

Druk in ontgrendelde toestand op de toets 'N' (keuzetoets Super Freeze-functie). Indicator 'F' (indicatielampje Super Freeze-functie) gaat branden, het product gaat naar de Super Freeze-modus. Het product verlaat na 50 uur activiteit automatisch de Super Freeze-modus. Druk om de Super Freeze-modus handmatig te verlaten in vergrendelde toestand op de toets 'N' (keuzetoets Super Freeze-functie). Indicator 'F' (indicatielampje Super Freeze-functie) gaat uit en het product verlaat de Super Freeze-modus.



Let op

In de Super Freeze-modus zijn de toets 'J' (Temperatuurregeling '-') en de toets 'L' (Temperatuurregeling '+') vergrendeld wanneer het vriezergedeelte is geselecteerd en kan de temperatuur van het vriezergedeelte niet worden aangepast.



Super Cool-functie

Nadat u het voedsel in de koelkast heeft gezet, kunt u de Super Cool-functie activeren als u het snel wilt afkoelen.

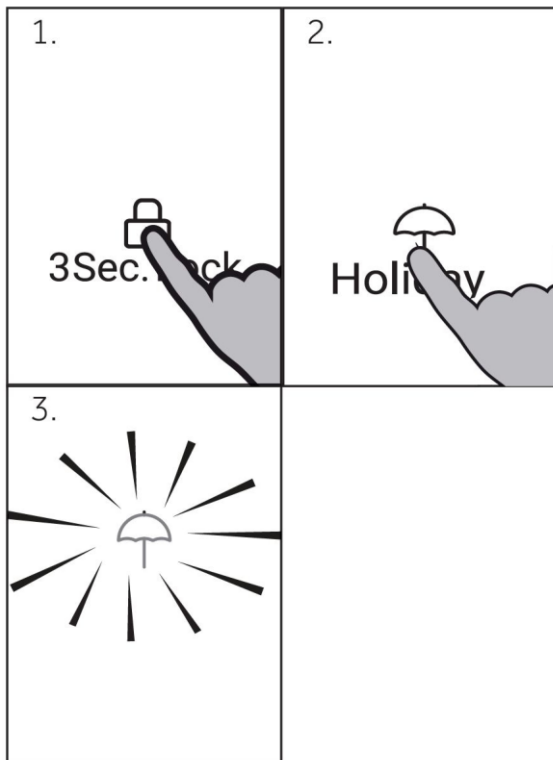
Ontgrendel de instellingen door 3 seconden lang op de toets 'Q' te drukken.

Druk in ontgrendelde toestand op de toets 'M' (keuzetoets Super Cool-functie). Indicator 'E' (indicatielampje Super Cool-functie) gaat branden, het product gaat naar de Super Cool-modus. Het product verlaat na 6 uur activiteit automatisch de Super Cool-modus. Om de Super Cool-modus handmatig te verlaten, drukt u op de toets 'M' (keuzetoets Super Cool-functie) in ontgrendelde toestand. Indicator 'E' (indicatielampje Super Cool-functie) gaat uit, het product verlaat de Super Cool-modus.



Let op

De Super Cool-functie schakelt automatisch uit wanneer de Holiday-modus wordt geselecteerd. In de Super Cool-modus zijn de toets 'J' (Temperatuurregeling '-') en de toets 'L' (Temperatuurregeling '+') vergrendeld wanneer het koelkastgedeelte is geselecteerd en kan de temperatuur van het koelkastgedeelte niet worden aangepast.



Holiday-modus

In de Holiday-modus wordt het koelkastgedeelte automatisch ingesteld op 17°C (voor energiebesparing), terwijl de Switch Zone en het vriezergedeelte bij normale temperatuurinstellingen werken.

Ontgrendel de instellingen door 3 seconden lang op de toets 'Q' te drukken.


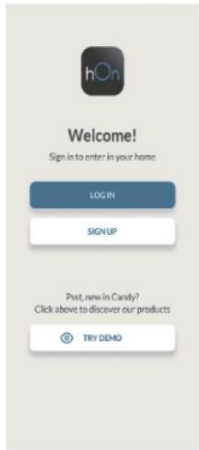

Druk in ontgrendelde toestand op de toets 'O' (keuzetoets Holiday-modus). Indicator 'G' (indicatielampje Holiday-modus) gaat branden, het product gaat naar de Holiday-modus. Druk om de modus te verlaten op de toets 'O' (keuzetoets Holiday-modus). Indicator 'G' (indicatielampje Holiday-modus) gaat uit en het product verlaat de Holiday-modus.

i Let op

De Holiday-modus wordt automatisch verlaten wanneer de Super Cool-functie wordt geactiveerd. In de Holiday-modus, zijn toets 'J' (Temperatuurregeling '-') en toets 'L' (Temperatuurregeling '+') vergrendeld wanneer het koelkastgedeelte is geselecteerd en kan de temperatuur van het koelkastgedeelte niet worden aangepast.

De wifimodus instellen

KOPPELINGSPROCEDURE IN DE APP

<p>Stap 1 Download de hOn-app in de stores</p> 	
<p>Stap 2 Maak een account aan in de hOn-app of log in als u al een account heeft</p> 	<p>Stap 3 Volg de koppelingsinstructies in de hOn-app</p> 

Wififunctie

Als de wifi nog niet is geconfigureerd wanneer de koelkast voor de eerste keer wordt aangezet, dan gaat deze automatisch naar de configuratiemodus en houdt deze status 30 minuten aan.

Het wifipictogram 'H' knippert snel en de registratie van het product kan beginnen.

1. Volg de instructies in de app om de wifi te configureren.
2. Zodra de wifi is ingesteld en de verbinding tot stand is gebracht, gaat het wifipictogram 'H' aan en blijft branden.
3. Na 30 minuten zonder enige handeling verlaat de wifi automatisch de configuratiemodus.
4. Als de wifi al is geconfigureerd, zal automatisch opnieuw verbinding worden gemaakt volgens de configuratie-informatie als de wifi wordt ingeschakeld.



Let op

1. Dit product is niet bedoeld voor commercieel gebruik.
2. Zender werkfrequentie: 2400 MHz ~ 2483,5 MHz
3. Zender maximaal uitgangsvermogen: 20dBm

**Let op**

1. Druk op de wifitoets 'P' om de wifi uit te schakelen. Het wifipictogram 'H' gaat uit.
2. Druk op de wifitoets 'P' om de wifi in te schakelen en de configuratie te starten. Het wifipictogram 'H' knippert langzaam. Als u de wififunctie wilt uitschakelen, drukt u één keer op de toets 'P'. Als u de wififunctie wilt configureren, drukt u minimaal 3 en maximaal 20 seconden op de toets 'P'. Er klinkt een akoestisch signaal, het wifipictogram knippert het wifipictogram knippert snel en de configuratiemodus wordt betreden. Bovenstaande stappen moeten worden herhaald
3. als het product is geconfigureerd en de wififunctie is uitgeschakeld. De koelkast gaat niet naar de configuratiemodus wanneer die opnieuw is aangesloten op de voeding.
4. Zodra de wifi is ingesteld en de verbinding tot stand is gebracht, gaat het wifipictogram 'H' aan en blijft branden.

Alarm van de deur

Het deuralarm gaat aan als de deur lange tijd open staat of niet goed is gesloten; als herinnering.

KOELKASTDEUR VOOR LINKS

KOELKASTDEUR VOOR RECHTS

VRIEZERDEUR

SWITCH ZONE-DEUR

Waterdispenser

Met de waterdispenser kan koud drinkwater worden getapt.

Het waterreservoir moet vóór het eerste gebruik worden gereinigd (raadpleeg ONDERHOUD EN REINIGING).

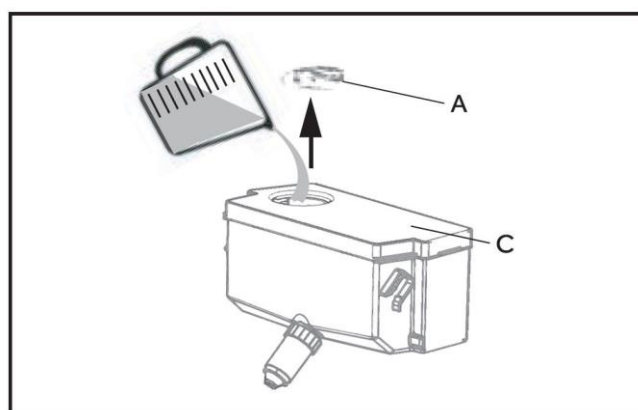
Het waterreservoir vullen



WAARSCHUWING!

Vul alleen met drinkwater.

1. Zorg ervoor dat het waterreservoir goed is geplaatst (raadpleeg APPARATUUR).
2. Draai en verwijder de ronde dop (A). Vul het waterreservoir met vers drinkwater.
3. Vul het water niet voorbij de markering (2.5l), omdat het water anders kan overstromen wanneer de deur open en dicht gaat.
4. Draai de ronde dop (A) terug tot deze vastklikt.

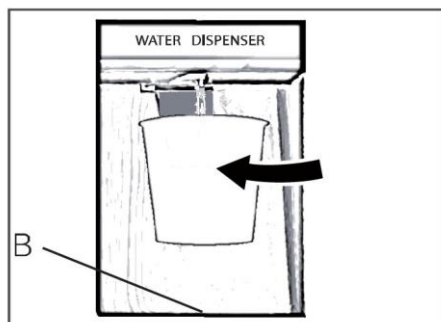


Let op: Waterdispenser

Voordat u bijvult moet u het restwater weggooien en het reservoir schoonmaken.

Als u langere tijd geen water nodig hebt, moet u het waterreservoir legen en het gereinigde reservoir plaatsen.

Het deksel (C) op het waterreservoir wordt ook gebruikt om energie te besparen. Als u langere tijd geen water uit de waterdispenser wilt, moet u het deksel nog steeds installeren vanwege een betere isolatie en energiebesparing.



Water tappen uit de dispenser

1. Plaats een glas onder de waterafvoer.
2. Duw zachtjes tegen de waterdispenserhendel. Zorg dat het glas in lijn is met de dispenser om te voorkomen dat er water uit spat.
3. Water in de lade (B) moet op tijd worden verwijderd, omdat het kan overlopen als de deur wordt geopend en gesloten.

Tips voor het bewaren van vers voedsel

Bewaren in het koelkastgedeelte

- ▶ Houd de koelkasttemperatuur lager dan 5 °C.
- ▶ Laat warm voedsel afkoelen tot kamertemperatuur voordat u het in het apparaat opbergt.
- ▶ In de koelkast opgeslagen levensmiddelen moeten worden gewassen en afgedroogd voordat zij worden opgeborgen.
- ▶ Het te bewaren voedsel moet goed afgesloten zijn om geur- of smaakveranderingen te voorkomen.
- ▶ Bewaar geen overmatige hoeveelheden voedsel. Laat ruimtes tussen voedingswaren zodat er koude lucht omheen kan stromen, voor een betere en gelijkmatiger koeling.
- ▶ Voedsel dat dagelijks wordt gegeten moet worden bewaard aan de voorkant van de plank.
- ▶ Laat ruimte tussen voedingswaren en de binnenwanden, zodat lucht kan stromen. Bewaar vooral geen voedsel tegen de achterwand: voedsel kan tegen achterwand bevriezen. Vermijd direct contact tussen voedsel (met name vette of zure voedingsproducten) met de binnenvoering, omdat olie/zuur de binnenvoering kan beschadigen. Haal vettig en zuur vuil altijd weg wanneer het wordt ontdekt.
- ▶ Ontdooi bevroren voedsel in de koelkast. Op deze manier kunt u het ingevroren voedsel gebruiken om de temperatuur in het compartiment te verlagen en energie te besparen.
- ▶ Het rijpingsproces van groenten en fruit zoals courgette, meloen, papaja, banaan, ananas, etc. kan in de koelkast versneld worden. Daarom is het niet aan te raden om deze in de koelkast te bewaren. Het rijpen van onrijp fruit kan echter wel worden versneld gedurende een bepaalde periode. Uien, knoflook, gember en andere wortelgroenten moeten ook bij kamertemperatuur worden bewaard.
- ▶ Onaangename geurtjes in de koelkast zijn een teken dat er iets is gemorst en moet worden schoongemaakt. Zie ONDERHOUD EN REINIGING.
- ▶ Verschillende voedingswaren moeten op verschillende plaatsen worden geplaatst naargelang de eigenschappen ervan:



Let op

Houd de afstand tussen het in het apparaat geplaatste voedsel en het luchtkanaal of de sensoren op meer dan 10 mm om het koelingseffect te waarborgen.



- 1 Boter, kaas, etc.
- 2 Eieren, blikjes, conserven, specerijen, etc.
- 3 Dranken en voedingsmiddelen in een fles.
- 4 Ingemaakt voedingsmiddelen, conserven, etc.
- 5 Vleesproducten, snackvoeding, pasta, conserven, melk, tofu, zuivel, etc.
- 6 Gekookt vlees, worstjes, etc.
- 7 Humidity Zone-lade: fruit, groenten, salade, etc.
- 8 Humidity Zone-lade: fruit, groenten, salade, etc.

Opbergen in het Switch zone-gedeelte

Het Switch zone-gedeelte maakt het mogelijk om de temperatuur tussen -18°C en 5°C aan te passen op basis van de behoefte aan voedselopslag en om u voor uw gemak nog meer flexibiliteit in de opbergmogelijkheden te bieden.

-18°C	Voor algemene diepvriesproducten die tussen 1–12 maanden moeten worden bewaard.	Vlees, gevogelte, vis, voorgekookt voedsel en restjes, sommige soorten groente en fruit, ijs en andere bevroren desserts.
-7°C	Maakt het mogelijk om eenvoudig voedsel te verwarmen, bereiden of rechtstreeks uit het compartiment te serveren zonder te hoeven wachten tot het is ontdooid.	Vlees, vis, soepen, sauzen, gepureerd voedsel, brood, desserts en gebakjes. Opmerking: Aanbevolen voor het bewaren van romige desserts, zoals ijs.
0°C	Biedt de perfecte opslagruimte voor zeer bederfelijke voeding om ervoor te zorgen dat ze hun vitale versheid en kwaliteit behouden.	Zeer bederfelijke vleesproducten, gevogelte en zeevruchten. Alcoholische dranken zoals bier.
5°C	De ideale modus voor verse levensmiddelen zoals groenten en fruit, zuivelproducten, vlees en dranken.	Groenten en fruit, zuivelproducten, jam en chutneys/conserven, vlees en dranken.

Bewaren in het vriezergedeelte

- ▶ Houd de temperatuur van de vriezer op -18°C .
- ▶ Schakel 24 uur voor het invriezen de Super-Freeze-functie in – voor kleine hoeveelheden voedsel is 4–6 uur voldoende.
- ▶ Warm voedsel moet eerste worden afgekoeld tot kamertemperatuur voordat deze in het vriezergedeelte kan worden bewaard.
- ▶ Voedsel dat in kleine porties is gesneden zal sneller bevroren en is gemakkelijker te ontdooien en bereiden. Het aanbevolen gewicht per portie bedraagt minder dan 2,5 kg.
- ▶ Het is beter om voedsel te verpakken voordat u het in de vriezer plaatst. De buitenkant van de verpakking moet droog zijn om te voorkomen dat de zakken aan elkaar blijven plakken. Verpakkingsmaterialen moeten geurvrij, luchtdicht, niet-giftig en niet-toxisch zijn.
- ▶ Schrijf om overschrijden van de houdbaarheidstermijnen te voorkomen de invriesdatum, de tijdlimiet en de naam van het voedsel op de verpakking volgens de bewaartermijnen van de verschillende levensmiddelen.
- ▶ **WAARSCHUWING!** Zuren, basen en zout, etc. kunnen het interne oppervlak van de vriezer wegvreten. Plaats voedsel met deze stoffen (bijv. vis uit de zee) niet direct tegen de binnenzijde. Zout water in de diepvriezer moet onmiddellijk worden verwijderd.
- ▶ Overschrijd niet de door de fabrikanten aanbevolen bewaartijden van levensmiddelen. Neem alleen de benodigde hoeveelheid voedsel uit de vriezer.
- ▶ Gebruik ontdooide etenswaren zo snel mogelijk. Ontdooid voedsel kan niet opnieuw worden ingevroren, tenzij het eerst wordt bereid; anders is het mogelijk niet meer eetbaar.
- ▶ Plaats geen overmatige hoeveelheden vers voedsel in het vriezergedeelte. Zie de vriescapaciteit van de diepvriezer – zie TECHNISCHE GEGEVENS of de gegevens op het typeplaatje.
- ▶ Levensmiddelen kunnen bij een temperatuur van ten minste -18°C gedurende 2 tot 12 maanden in de vriezer worden bewaard, afhankelijk van de eigenschappen (bijv. vlees: 3–12 maanden, groenten: 6–12 maanden).
- ▶ Vermijd bij het invriezen van vers voedsel dat het in contact komt met al ingevroren levensmiddelen. Risico op ontdooien!

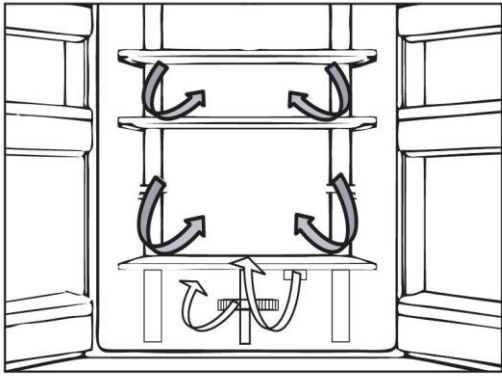
Volg de volgende richtlijnen bij het opslaan van commercieel ingevroren levensmiddelen:

- ▶ Volg altijd de richtlijnen van de fabrikanten voor hoe lang u het voedsel kunt bewaren. Overschrijd deze richtlijnen niet!
- ▶ Probeer de tijd tussen aankoop en opslag zo kort mogelijk te houden om de voedselkwaliteit te behouden.
- ▶ Koop alleen diepvriesproducten die bij een temperatuur van -18°C of lager zijn bewaard.
- ▶ Vermijd het kopen van voedsel dat ijs of rijp op de verpakking heeft. Dit wijst erop dat de producten op een bepaald moment gedeeltelijk ontdooid en opnieuw ingevroren kunnen zijn – temperatuurstijgingen hebben invloed op de kwaliteit van het voedsel.



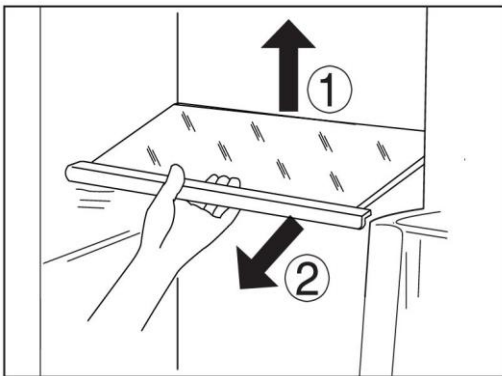
Let op

- ▶ Houd de afstand tussen het in het apparaat geplaatste voedsel en het luchtkanaal op meer dan 10 mm om het koelingseffect te waarborgen.



Meervoudige luchtstroom

De koelkast is uitgerust met een meervoudige-luchtstroomsysteem, waarmee er op elke plank koele luchtstromen zijn. Dit helpt om een gelijkmatige temperatuur te handhaven om ervoor te zorgen dat uw voedsel langer vers blijft.



Verstelbare planken

De hoogte van de planken kan worden aangepast aan uw opslagbehoeften.

1. Om een plank te verplaatsen, verwijdert u hem eerst door de achterrand (1) op te tillen en de plank eruit te trekken (2).
2. Om hem weer te installeren, plaatst u hem op de nokjes aan beide kanten en duwt u hem helemaal naar achteren tot de achterkant van de plank vastzit in de gleuven in de zijkanten.

i Let op:

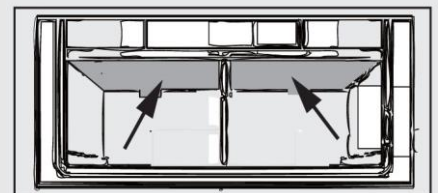
Zorg ervoor dat alle kanten van een plank vlak zijn.

Humidity Zone-lade

In dit compartiment is de vochtigheidsgraad ongeveer 85%. Dit wordt automatisch gereguleerd door het systeem en is geschikt voor het bewaren van fruit, groenten, salades, etc.

i Let op:

- ▶ Verwijder de plastic deksels in de twee zones niet. Ze houden de luchtvochtigheid in stand.
- ▶ Koudegevoelige vruchten zoals ananas, avocado, bananen, grapefruit en groenten zoals aardappelen, aubergines, bonen, komkommer, courgette en tomaten en kaas mogen niet in deze twee lades worden bewaard.

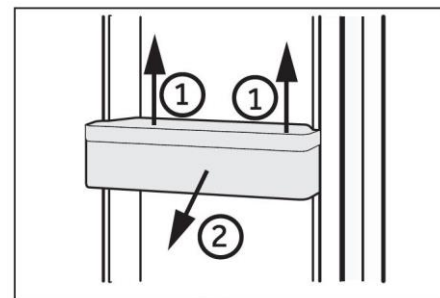


Verwijderbare deurbakken

De deurrekken kunnen worden verwijderd om te worden schoongemaakt:

Plaats uw handen aan beide kanten van het rek, til het omhoog (1) en trek het eruit (2).

Voer de bovenstaande stappen in omgekeerde volgorde uit om het deurrek weer terug te plaatsen.

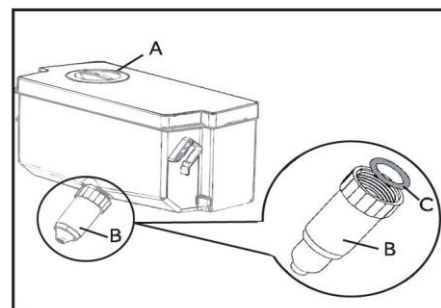


Uitneembaar waterreservoir

Het waterreservoir kan net als de deurbakken worden verwijderd en terug worden geplaatst om schoon te maken.

Het waterreservoir plaatsen

Plaats het waterreservoir zodanig dat de waterafvoer (B) in de opening van de deur past. Controleer of het waterreservoir vergrendeld is.



Let op: Waterreservoir

Zorg ervoor dat de tuit stevig op het waterreservoir vastgeschroefd zit en de witte O-ring (C) in positie is.

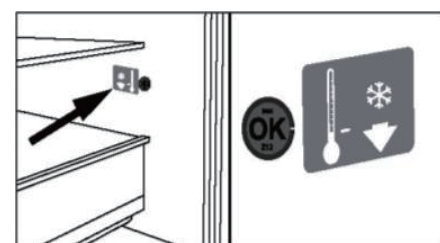
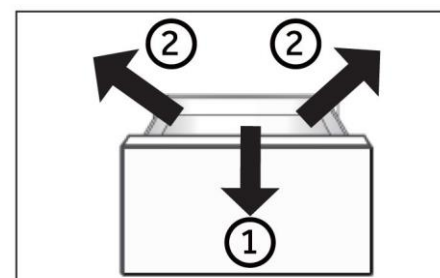
Als het waterreservoir niet goed is geplaatst, kan er water uit de aansluiting lekken.

Gebruik geen overmatige kracht bij het verwijderen of plaatsen van het waterreservoir, om schade aan het reservoir te voorkomen.

Uitneembare vriezerlade

Om de lade te verwijderen, trekt u deze zo ver mogelijk naar buiten (1), daarna optillen en verwijderen (2).

Voer de bovenstaande stappen in omgekeerde volgorde uit om lade weer terug te plaatsen.



OPTIONEEL: OK-temperatuurindicator

Met de OK-temperatuurindicator kunnen temperaturen onder de +4°C worden bepaald. Verlaag geleidelijk de temperatuur als het bord niet OK aangeeft".

De verlichting

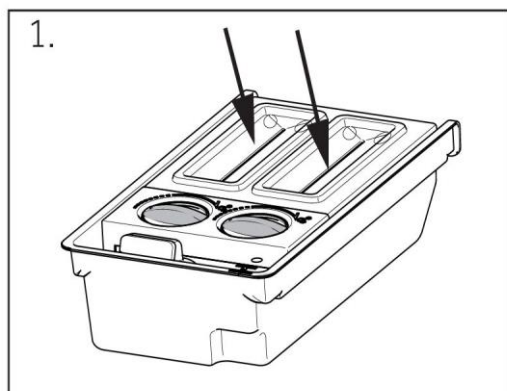
De ledverlichting aan de binnenkant gaat aan wanneer de deur wordt geopend en gaat automatisch uit als de deur meer dan 7 minuten open blijft staan. De werking van de verlichting wordt niet beïnvloed door een van de andere instellingen van het apparaat.



Tips voor energiebesparing

- ▶ Zorg ervoor dat het apparaat goed wordt geventileerd (raadpleeg INSTALLATIE).
- ▶ Installeer het apparaat niet in direct zonlicht of in de buurt van warmtebronnen (bijv. kachels, verwarmingstoestellen).
- ▶ Vermijd onnodig lage temperaturen in het apparaat. Het energieverbruik neemt toe naarmate de temperatuur in het apparaat lager is ingesteld.
- ▶ Functies zoals de Super-Freeze-functie verbruiken meer energie.
- ▶ Laat warm voedsel afkoelen voordat u het in de koelkast plaatst.
- ▶ Open de deur van het apparaat zo weinig en zo kort mogelijk.
- ▶ Vul het apparaat niet te vol om te voorkomen dat de luchtdoorstroming wordt geblokkeerd.
- ▶ Vermijd lucht in de verpakking van het voedsel.
- ▶ Houd de deurpakking schoon, zodat de deur altijd goed sluit.
- ▶ Ontdooi bevroren voedsel in de koelkast.
- ▶ De meest energiebesparende configuratie vereist dat de lades, voedselbakken en planken in fabrieksstaat worden gehouden, en dat voedsel zo diep mogelijk wordt geplaatst zonder dat de openingen van het luchtkanaal worden geblokkeerd.

Ijsblokjes maken

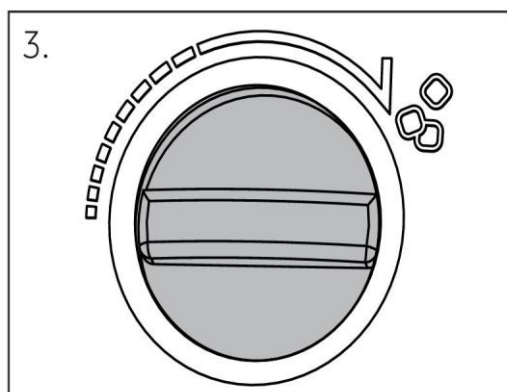


1. Giet vers drinkwater in elke ijsbak volgens de schaal-aanduiding in de maatbeker, overschrijd het schaalstreepje niet.



Let op:

Doe geen water tussen de 2 knoppen, anders kunnen de knoppen misschien bevroren en kunnen de ijsblokjes niet in de bewaarbak vallen.



2. Plaats de bak in het vriezergedeelte.
3. Verwijder zodra het water ijs wordt de ijsblokjesmachine uit het apparaat en verdraai de knop met de hand. De ijsblokjes vallen automatisch in de ijsbak. Verwijder het deksel en pak de ijsblokjes.



WAARSCHUWING!

Haal de stekker van het apparaat uit het stopcontact voordat u het reinigt.

Reinigen

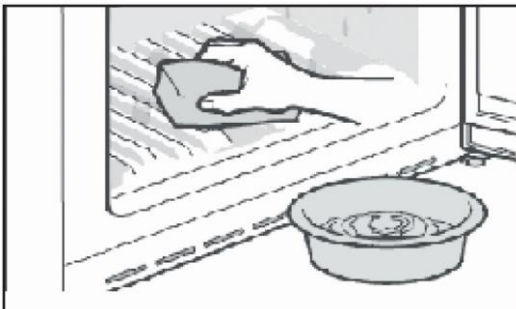
Reinig het apparaat als er weinig of geen voedsel in is opgeslagen.

Het apparaat moet om de vier weken worden schoongemaakt voor een goed onderhoud en om nare voedselgeuren te voorkomen.



WAARSCHUWING!

- ▶ Reinig het apparaat niet met harde borstels, draadborstels, waspoeder, benzine, amylacetaat, aceton en soortgelijke organische oplossingen, zure of alkalische oplossingen. Reinig het apparaat met een speciaal reinigingsmiddel voor koelkasten om schade te voorkomen.
- ▶ Spuit niet op het apparaat en spoel het niet af tijdens het reinigen.
- ▶ Gebruik geen waterstraal of stoom om het apparaat schoon te maken.
- ▶ Reinig de koude glazen planken niet met heet water. Door plotselinge temperatuurveranderingen kan het glas breken.
- ▶ Raak het binnenoppervlak van het vriezergedeelte niet aan, vooral niet met natte handen, omdat uw handen aan het oppervlak vast kunnen vriezen.
- ▶ Controleer in geval van opwarming de toestand van de ingevroren producten.

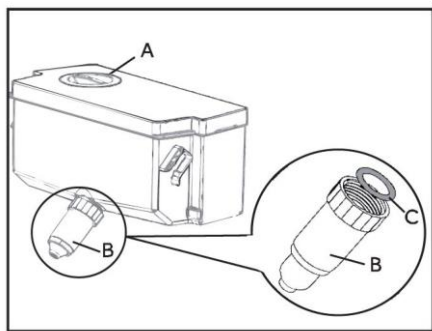


- ▶ Houd de deurpakking altijd schoon.
 - ▶ Reinig de binnenkant en behuizing van het apparaat met een spons die is bevochtigd in warm water en een neutraal reinigingsmiddel.
1. Was de binnenkant en buitenkant van de koelkast, waaronder deurrubbers, deurrek, glazen planken, bakken enzovoort, met een zachte handdoek of spons die in warm water is gedrenkt (u mag een neutraal schoonmaakmiddel toevoegen aan het warme water).
 2. Als er vloeistof is gemorst, verwijder dan alle verontreinigde onderdelen en spoel ze direct af met het stromend water. Daarna afdrogen en terug in de koelkast plaatsen.
 3. Als er room (zoals koffiemelk, smeltend ijs) wordt gemorst, moeten alle verontreinigde delen worden verwijderd. Zet ze een tijdje in warm water van ongeveer 40°C en spoel vervolgens af met stromend water. Daarna afdrogen en terug in de koelkast plaatsen.
 4. Als een klein deeltje of onderdeel vast komt te zitten in de koelkast (tussen planken of laden), gebruik dan een klein, zacht borsteltje om het weg te halen. Als u het onderdeel niet kan bereiken, neem dan contact op met de klantenservice van Haier.
- ▶ Spoel af en droog af met een zachte doek.
 - ▶ Reinig de onderdelen van het apparaat niet in een vaatwasser.
 - ▶ Laat het apparaat minstens 5 minuten rusten voordat u het opnieuw opstart, omdat vaak opstarten de compressor kan beschadigen.

Ontdooien

Het ontdooien van de koelkast en het vriezergedeelte gebeurt automatisch; er is geen handmatige bediening nodig.

Het waterreservoir schoonmaken



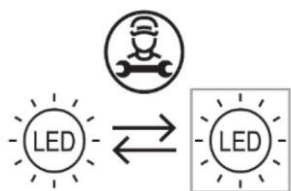
1. Haal het waterreservoir uit het apparaat.
2. Verwijder het deksel (A).
3. Draai de tuit van de dispenser (B).
4. Maak het reservoir en de tuit van de dispenser schoon met warm water en vloeibaar afwasmiddel. Zorg ervoor dat alle zeep is afgespoeld.
5. Plaats de dispensertuit (B) terug en zorg ervoor dat hij stevig op het waterreservoir is vastgeschroefd en dat de witte O-ring (C) in positie is.
6. Sluit het deksel (A) en plaats het reservoir in het apparaat.



Let op: Waterreservoir

Als het waterreservoir niet goed is geplaatst, kan er water uit de aansluiting lekken. Gebruik geen overmatige kracht bij het verwijderen of plaatsen van het waterreservoir, om schade te voorkomen.

De ledlampjes vervangen



Vervangbare lichtbron (alleen led), te vervangen door een professional.

Dit product bevat een lichtbron van energie-efficiëntieklasse G.

Compartiment	Spanning	Max. vermogen	Energie-efficiëntieklasse	Model
Koelkast	DC 12 V	5 W	G	HCW58F18EWMP

Niet gebruiken voor een langere periode

Als het apparaat gedurende langere tijd niet wordt gebruikt en u gebruikt niet de Holiday-functie of de 'koelkast uit'-functie bij de koelkast:

- ▶ Neem het voedsel eruit.
- ▶ Haal de stekker van het netsnoer uit het stopcontact.
- ▶ Leeg het waterreservoir en reinig het.
- ▶ Reinig het apparaat zoals hierboven beschreven.
- ▶ Houd de deuren open om de vorming van nare geuren binnenin te voorkomen.

**Let op**

Schakel het apparaat alleen uit als dat echt nodig is.

Het apparaat verplaatsen

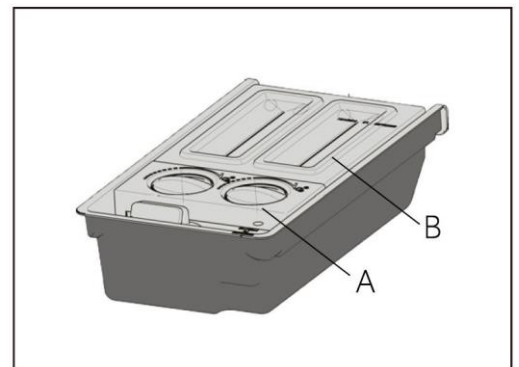
1. Verwijder alle etenswaren en haal de stekker van het apparaat uit het stopcontact.
2. Maak planken en andere beweegbare delen in de koelkast en vriezer vast met plakband.
3. Kantel de koelkast niet meer dan 45° om schade aan het koelsysteem te voorkomen.

**WAARSCHUWING!**

- ▶ Til het apparaat niet op aan de grepen.
- ▶ Plaats het apparaat nooit horizontaal op de grond.

De ijsblokjesmachine reinigen

1. Verwijder de ijsblokjesmachine uit het apparaat.
2. Verwijder deksel (A) en (B).
3. Maak de ijsblokjesmachine schoon met warm water en vloeibaar afwasmiddel. Zorg ervoor dat alle zeep is afgespoeld.
4. Sluit de deksels, vul weer met drinkwater en plaats de ijsblokjesmachine terug in het apparaat.



Veel problemen kunnen door uzelf worden opgelost zonder specifieke expertise. Raadpleeg in geval van een probleem alle getoonde mogelijkheden en volg de onderstaande instructies voordat u contact opneemt met de klantenservice. Raadpleeg KLANTENSERVICE.



WAARSCHUWING!

- ▶ Schakel het apparaat uit voordat u onderhoud uitvoert en haal de stekker uit het stopcontact.
- ▶ Elektrische apparatuur mag alleen worden onderhouden door gekwalificeerde elektrische experts, omdat onjuiste reparaties aanzienlijke gevolgschade kunnen veroorzaken.
- ▶ Als de voeding beschadigd is, mag deze alleen worden vervangen door de fabrikant, diens servicevertegenwoordiger of vergelijkbaar gekwalificeerde personen om gevaar te voorkomen.

Probleem	Mogelijke oorzaak	Mogelijke oplossing
De compressor werkt niet.	<ul style="list-style-type: none"> • De netstekker is niet aangesloten op het stopcontact. • Het apparaat is aan het ontdooien. 	<ul style="list-style-type: none"> • Steek de stekker in het stopcontact. • Dit is normaal voor automatisch ontdooien.
Het apparaat loopt vaak of te lang.	<ul style="list-style-type: none"> • De binnen- of buitentemperatuur is te hoog. • Het apparaat is een tijd lang niet ingeschakeld geweest. • Een deur van het apparaat is niet goed gesloten. • De deur is te vaak of te lang geopend. • De temperatuurstelling voor het vriezergedeelte is te laag. • De deurpakkingen zijn vuil, versleten, gebarsten of niet goed op elkaar afgestemd. • De vereiste luchtcirculatie is niet gegarandeerd. 	<ul style="list-style-type: none"> • In dit geval is het normaal dat het apparaat langer werkt. • Normaal gesproken duurt het 8–12 uur voordat het apparaat volledig is afgekoeld. • Sluit de deur/lade en zorg ervoor dat het apparaat op een vlakke ondergrond staat en dat er geen etenswaren of voedselbakjes de deur blokkeren. • Open de deur/lade niet te vaak. • Stel de temperatuur hoger in totdat een toereikende koelkasttemperatuur is bereikt. Het duurt 24 uur voordat de koelkasttemperatuur stabiel is. • Reinig de deur-/ladepakkingen of laat ze vervangen door de klantenservice. • Zorg voor voldoende ventilatie.
De binnenkant van de koelkast is vies en/of stinkt.	<ul style="list-style-type: none"> • De binnenkant van de koelkast moet worden schoongemaakt. • Er wordt voedsel met een sterke geur bewaard in de koelkast. 	<ul style="list-style-type: none"> • Reinig de binnenkant van de koelkast. • Verpak het voedsel goed.

Probleem	Mogelijke oorzaak	Mogelijke oplossing
Het is niet koud genoeg in het apparaat.	<ul style="list-style-type: none"> • De temperatuur is te hoog ingesteld. • Er zijn te warme producten opgeslagen. • Er is te veel voedsel in één keer bewaard. • De producten zijn te dicht bij elkaar geplaatst. • Een deur/lade van het apparaat zit niet goed dicht. • De deur/lade is te vaak of te lang geopend. 	<ul style="list-style-type: none"> • Stel de temperatuur opnieuw in. • Koel de producten altijd af voordat u ze opbergt. • Bewaar altijd kleine hoeveelheden voedsel. • Laat een gat tussen verschillende voedingsmiddelen waardoor lucht kan stromen. • Sluit de deur/lade. • Open de deur/lade niet te vaak.
Het is te koud in het apparaat.	<ul style="list-style-type: none"> • De temperatuur is te laag ingesteld. • De Super-Frz-/Super-Cool-functie wordt geactiveerd of loopt te lang. 	<ul style="list-style-type: none"> • Stel de temperatuur opnieuw in. • Schakel de Super-Frz-/Super-Cool-functie uit.
Vochtvorming aan de binnenkant van het koelkastgedeelte.	<ul style="list-style-type: none"> • Het klimaat is te warm en te vochtig. • Een deur/lade van het apparaat zit niet goed dicht. • De deur/lade is te vaak of te lang geopend. • Voedselbakjes of vloeistoffen zijn open gelaten. 	<ul style="list-style-type: none"> • Verhoog de temperatuur. • Sluit de deur/lade. • Open de deur/lade niet te vaak. • Laat warm voedsel afkoelen tot kamertemperatuur en dek voedsel en vloeistoffen af.
Vocht hoopt zich op het oppervlak aan de buitenkant van de koelkast en tussen de deuren/deur en lade op.	<ul style="list-style-type: none"> • Het klimaat is te warm en te vochtig. • De deur is niet goed gesloten. De koude lucht in het apparaat en de warme lucht buiten condenseert. 	<ul style="list-style-type: none"> • Dit is normaal in een vochtig klimaat en zal veranderen wanneer de luchtvochtigheid daalt. • Zorg dat de deur/lade goed dicht zit.
Veel ijs en rijp in het vriezergedeelte.	<ul style="list-style-type: none"> • De etenswaren zijn niet goed verpakt. • Een deur/lade van het apparaat zit niet goed dicht. • De deur/lade is te vaak of te lang geopend. • De deur-/ladepakkingen zijn vuil, versleten, gebarsten of niet goed op elkaar afgestemd. • Iets aan de binnenkant voorkomt dat de deur/lade goed kan sluiten. 	<ul style="list-style-type: none"> • Verpak de etenswaren altijd goed. • Sluit de deur/lade. • Open de deur/lade niet te vaak. • Reinig de deur-/ladepakkingen of vervang ze door nieuwe. • Verplaats de planken, deurrekken of interne container zodat de deur/lade kan worden gesloten.
De zijkanten van de kast en de deurstrip worden warm.	<ul style="list-style-type: none"> • - 	<ul style="list-style-type: none"> • Dit is normaal.

Probleem	Mogelijke oorzaak	Mogelijke oplossing
Het apparaat maakt afwijkende geluiden.	<ul style="list-style-type: none"> • Het apparaat staat niet op een vlakke ondergrond. • Het apparaat raakt voorwerpen rondom. 	<ul style="list-style-type: none"> • Stel de pootjes af om het apparaat waterpas te zetten. • Verwijder voorwerpen rondom het apparaat.
Er is een licht geluid te horen dat lijkt op dat van stromend water.	<ul style="list-style-type: none"> • - 	<ul style="list-style-type: none"> • Dit is normaal.
U hoort een alarm-piepton.	<ul style="list-style-type: none"> • De deur van het koelkastgedeelte staat open. 	<ul style="list-style-type: none"> • Sluit de deur.
U hoort een zacht gebrom.	<ul style="list-style-type: none"> • Het anticondensatiesysteem is aan het werk. 	<ul style="list-style-type: none"> • Dit voorkomt condensatie en is normaal.
De binnenverlichting of het koelsysteem werkt niet.	<ul style="list-style-type: none"> • De netstekker is niet aangesloten op het stopcontact. • De voeding is niet intact. • Het ledlampje is buiten werking. 	<ul style="list-style-type: none"> • Steek de stekker in het stopcontact. • Controleer de elektrische voeding naar de kamer. Bel het plaatselijke elektriciteitsbedrijf! • Bel de klantenservice om het lampje te laten vervangen.

Ga naar onze website om contact op te nemen met de technische dienst:

<https://corporate.haier-europe.com/en/>

Kies onder de kop 'website' het merk van uw product en uw land. U wordt doorgestuurd naar de specifieke website waar u het telefoonnummer kunt vinden en contact kunt opnemen met de technische dienst.

Stroomonderbreking

In het geval van een stroomstoring, zou voedsel ongeveer 5 uur lang veilig koud moeten blijven. Volg de volgende tips tijdens een langdurige stroomstoring, vooral in de zomer:

- ▶ Open de deur/lade zo weinig mogelijk.
- ▶ Plaats geen extra voedsel in het apparaat tijdens een stroomstoring.
- ▶ Als een stroomstoring vooraf wordt aangekondigd en de onderbrekingsduur langer is dan 5 uur, maak dan ijs en zet dit in een bak boven in het koelkastgedeelte.
- ▶ Onmiddellijk na de onderbreking is een controle van de producten vereist.
- ▶ Aangezien de temperatuur in de koelkast stijgt tijdens een stroomonderbreking of een andere storing, wordt de bewaarperiode en de eetbare kwaliteit van voedsel nadelig beïnvloedt. Alle levensmiddelen die ontdooien moeten worden gegeten, of worden bereid en daarna zo snel mogelijk opnieuw worden ingevroren (indien van toepassing) om gezondheidsrisico's te voorkomen.

Geheugenfunctie tijdens de stroomonderbreking

Na herstel van de stroom gaat het apparaat door met de instellingen die waren ingesteld voor de stroomstoring.

Uitpakken



WAARSCHUWING!

- ▶ Het apparaat is zwaar. Altijd hanteren met ten minste twee personen.
- ▶ Houd alle verpakkingsmaterialen buiten bereik van kinderen en gooi ze op een milieuvriendelijke manier weg.
- ▶ Haal het apparaat uit de verpakking.
- ▶ Verwijder al het verpakkingsmateriaal.

Omgevingsomstandigheden

De kamertemperatuur moet altijd tussen 10°C en 43°C liggen, aangezien het de temperatuur in het apparaat en het energieverbruik kan beïnvloeden. Installeer het apparaat niet in de buurt van andere warmtebronnen (ovens, koelkasten) zonder isolatie.

Benodigde ruimte

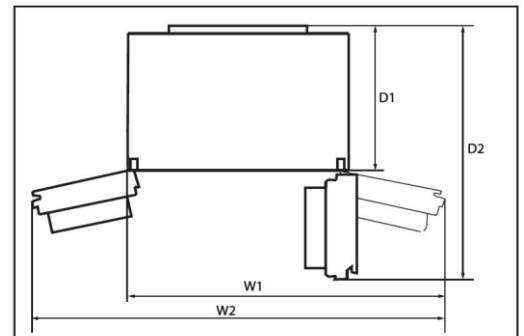
Vereiste ruimte als de deur open staat:

Breedte W1=1076 mm

Breedte W2=1360 mm

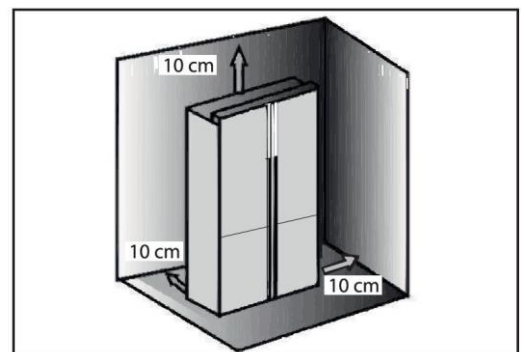
Diepte D1=628 mm

Diepte D2=1064 mm



Doorsnede van ventilatie

Om voor de veiligheid voldoende ventilatie van het apparaat te bereiken, moet de informatie over de vereiste ventilatiedoorsneden in acht worden genomen.

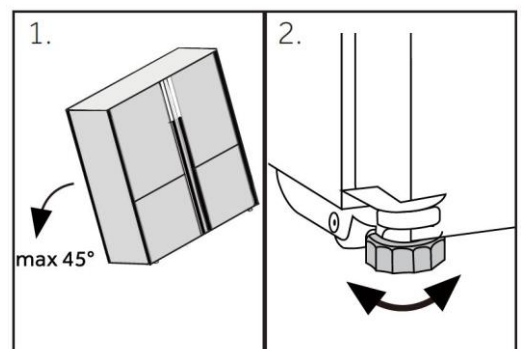


Het apparaat uitlijnen

Plaats het apparaat op een vlakke en vaste ondergrond.

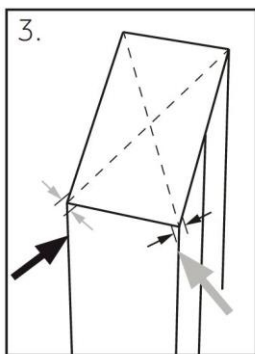
1. Kantel de koelkast iets naar achteren.
2. Stel de voeten in op het gewenste niveau.

Zorg dat de afstand tot de wand aan de scharnierzijde ten minste 10 cm is om de deur goed te kunnen openen.

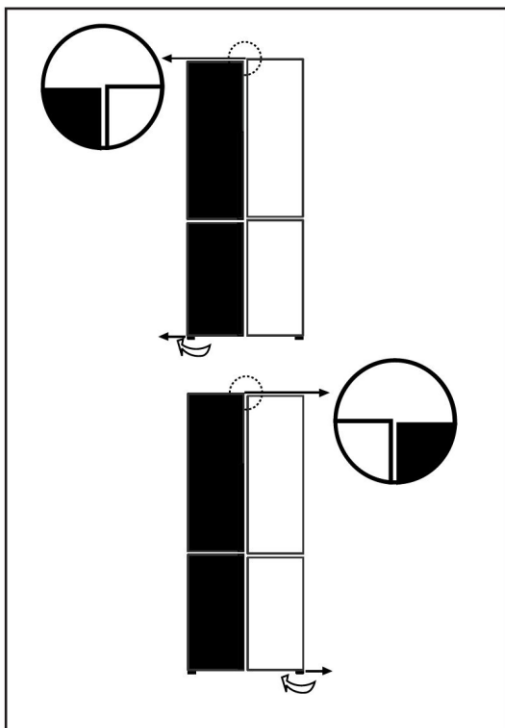


Let op:

Voor een vrijstaand apparaat: Dit koelapparaat is niet bedoeld voor gebruik als inbouwapparaat.



1. De stabiliteit kan worden gecontroleerd door afwisselend op de diagonalen te duwen. De lichte slingering moet in beide richtingen hetzelfde zijn. Anders kan het frame kromtrekken; mogelijk lekkende deurafdichtingen zijn het resultaat. Een kleine helling naar achteren vergemakkelijkt het sluiten van de deuren.



Fijnafstelling van de deuren

Als de deuren niet op één lijn zitten, kan deze afwijking als volgt worden verholpen:

Met een verstelbare voet

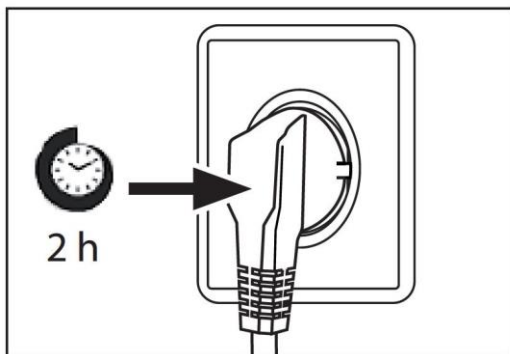
Draai de verstelbare voet in de richting van de pijl om de voet omhoog of omlaag te draaien.

Neem indien nodig contact op met de aftersalesdienst.



Let op:

Bij toekomstig gebruik van de koelkast kan het gebeuren dat de deuren niet gelijk zitten door het gewicht van opgeslagen voedsel. Pas dit aan volgens de bovenstaande methodes.



Wachttijd

De onderhoudsvrije smeerolie bevindt zich in de behuizing van de compressor. Deze olie kan door het gesloten buissysteem komen bij liggend transport. Voordat u het apparaat op de voeding aansluit, moet u ten minste 2 uur wachten zodat de olie weer in de behuizing loopt.

Elektrische aansluiting

Controleer vóór elke aansluiting of:

- ▶ voeding, stopcontact en zekering geschikt zijn volgens het typeplaatje;
- ▶ het stopcontact is geaard en er geen stekkerdoos of verlengsnoer is;
- ▶ de stekker en het stopcontact goed passen.


Sluit de stekker aan op een correct geïnstalleerd huishoudelijk stopcontact.



WAARSCHUWING!

Om risico's te vermijden moet een beschadigd netsnoer worden vervangen door de klantenservice (zie garantiekaart).

Productkaart volgens de verordening EU nr. 2019/2016

Merk	Haier
Modelnaam/identificatie	HCW58F18EWMP
Categorie van het model	Koelvriescombinatie
Energie-efficiëntieklasse	E
Jaarlijks energieverbruik (kWh/jaar)(1)	297
Totaal volume (liter)	507
Volume koelkast (liter)	321
Volume vriezer (liter)	87
Volume variabele temperatuurcompartiment (liter)	99
Steraanduiding	
Temperatuur van andere compartimenten > 14°C	Niet van toepassing
Vorstvrij systeem	Ja
Vriescapaciteit (kg/24 uur)	6
Klimaatklasse (2)	SN-N-ST
Geluidsemisatieklasse en geluidsemisatie via de lucht (db(A) re 1pW)	C(38)
Temperatuurstijgingstijd (uur)	9
Type apparaat	Vrijstaand
Overige	-

Uitleg:

- Ja, aanwezig

(1) Op basis van de resultaten van de normconformiteitstest gedurende 24 uur. Het werkelijke verbruik is afhankelijk van het gebruik en de locatie van het apparaat.

(2) Klimaatklasse SN: Dit apparaat is bedoeld voor gebruik bij een omgevingstemperatuur tussen +10°C en +32°C.

Klimaatklasse N: Dit apparaat is bedoeld voor gebruik bij een omgevingstemperatuur tussen +16°C en +32°C.

Klimaatklasse ST: Dit apparaat is bedoeld voor gebruik bij een omgevingstemperatuur tussen +16°C en +38°C.

Klimaatklasse T: Dit apparaat is bedoeld voor gebruik bij een omgevingstemperatuur tussen +16°C en +43°C.

Aanvullende technische gegevens

Spanning/frequentie	220–240 V ~/50 Hz
Ingangsstroom (A)	1,5
Belangrijkste zekering (A)	16
Koelmiddel	R600a
Afmetingen (H/B/D in mm)	1775 / 830 / 705

Wij adviseren onze Haier klantenservice en het gebruik van originele onderdelen.

Als u een probleem hebt met uw apparaat, controleer dan eerst het hoofdstuk **PROBLEMEN OPLOSSEN**.

Als u daar geen oplossing kunt vinden, neem dan contact op met

- ▶ uw plaatselijke dealer; of
- ▶ ons Europese service-callcentrum (zie onderstaande telefoonnummers); of
- ▶ het gedeelte Service & Support op www.haier.com, waar u de serviceclaim kunt activeren
- ▶ en ook veelgestelde vragen kunt vinden.

Om contact op te nemen met onze klantenservice, moet u ervoor zorgen dat u over de volgende gegevens beschikt.

De informatie is te vinden op het typeplaatje.

Model _____

Serienummer _____

Controleer ook de garantiekaart die met het product is meegeleverd in geval van garantie.

Europees service-callcentrum		
Land*	Telefoonnummer	Kosten
Haier Italy (IT)	199 100 912	
Haier Spain (ES)	902 509 123	
Haier Germany (DE)	0180 5 39 39 99	<ul style="list-style-type: none"> • 14 ct/min – vaste lijn • max. 42 ct/min – mobiel
Haier Austria (AT)	0820 001 205	<ul style="list-style-type: none"> • 14,53 ct/min – vaste lijn • max. 20 ct/min – alle andere
Haier United Kingdom (UK)	0333 003 8122	
Haier France (FR)	0980 406 409	

* Voor andere landen verwijzen wij u naar www.haier.com

Haier Europe Trading S.r.l

Branch UK

Westgate House, Westgate, Ealing

London, W5 1YY, Verenigd Koninkrijk

*Duur van de garantie van het koelapparaat:

De minimumgarantie is: 2 jaar voor EU-landen, 3 jaar voor Turkije, 1 jaar voor het Verenigd Koninkrijk, 1 jaar voor Rusland, 3 jaar voor Zweden, 2 jaar voor Servië, 5 jaar voor Noorwegen, 1 jaar voor Marokko, 6 maanden voor Algerije, Tunesië geen wettelijke garantie vereist.

*De beschikbaarheidsperiode van reserveonderdelen voor reparatie van het apparaat:

Thermostaten, temperatuursensoren, printplaten en lichtbronnen zijn gedurende minimaal zeven jaar na het op de markt brengen van de laatste eenheid van het model beschikbaar.

Deurgrepen, deurscharnieren, bakken en manden zijn minimaal zeven jaar en deurrubbers minimaal tien jaar na het in de handel brengen van de laatste eenheid van het model verkrijgbaar.

*Raadpleeg voor meer informatie over het product <https://eprel.ec.europa.eu/> of scan de QR-code op het energielabel dat met het apparaat wordt meegeleverd.

2022 Versie B

Haier Smart Home Co.,Ltd.
No.1 Haier Road,Haier Industry Park,Hi-Tech Zone,
266103 Qingdao,Shandong,China
MADE IN CHINA

Haier



0060535245



Instrukcja obsługi

Chłodziarko-zamrażarka

HCW58F18EWMP

PL

Haier

Dziękujemy za zakup produktu firmy Haier.

Przed użyciem urządzenia należy dokładnie przeczytać niniejsze instrukcje. Instrukcje zawierają ważne informacje, które pomogą możliwie najlepiej wykorzystać funkcje urządzenia, bezpiecznie i prawidłowo je zainstalować, eksploatować oraz konserwować.

Niniejszą instrukcję obsługi należy przechowywać w dostępnym miejscu, aby móc z niej zawsze skorzystać w celu bezpiecznego i właściwego użytkowania urządzenia.

Przy sprzedaży urządzenia należy do niego dołączyć niniejszą instrukcję obsługi, a w przypadku przeprowadzki przekazać ją nowemu właścicielowi, aby mógł się zapoznać z urządzeniem i ostrzeżeniami dotyczącymi bezpieczeństwa.

Legenda



Ostrzeżenie – ważne informacje dotyczące bezpieczeństwa



Ogólne informacje i wskazówki



Informacje dotyczące ochrony środowiska

Utylizacja



Pomóż chronić środowisko i ludzkie zdrowie. Wyrzuć opakowanie do odpowiednich pojemników do recyklingu. Pomóż w recyklingu odpadów z urządzeń elektrycznych i elektronicznych. Nie wyrzucaj urządzeń oznaczonych tym symbolem razem z odpadami domowymi. Oddaj produkt do miejscowego zakładu recyklingu lub skontaktuj się z urzędem miejskim.



OSTRZEŻENIE!

Ryzyko obrażeń lub uduszenia!

Czynniki chłodnicze i gazy muszą być utylizowane w profesjonalny sposób. Przed utylizacją upewnij się, że przewody układu chłodniczego nie są uszkodzone. Odłącz urządzenie od zasilania sieciowego. Odetnij przewód zasilający i zutylizuj go. Usuń tace i szuflady oraz zamek drzwi i uszczelki, aby zapobiec zamknięciu się dzieci i zwierząt w urządzeniu.

Informacje dotyczące bezpieczeństwa	4
Opis produktu.....	10
Panel sterowania	11
Użytkowanie	12
Wyposażenie	26
Pielęgnacja i czyszczenie.....	29
Usuwanie usterek	32
Instalacja.....	35
Dane techniczne.....	38
Obsługa klienta	40

Akcesoria

Sprawdź akcesoria i materiały zgodnie z tą listą:



Kostkarka do lodu
z łyżką do lodu



3 przekładki



Etykieta
wydajności
energetycznej



Karta gwarancyjna



Instrukcja
obsługi Naklejka
„OK” Instrukcja
obsługi

Uwaga: Tylko dla modelu HCW58F18EWMP

Przed włączeniem urządzenia po raz pierwszy, przeczytaj poniższe wskazówki dotyczące bezpieczeństwa:



OSTRZEŻENIE!

Przed pierwszym użyciem

- ▶ Upewnić się, że nie ma uszkodzeń powstałych podczas transportu.
- ▶ Usunąć wszystkie opakowania i przechowywać w miejscu niedostępnym dla dzieci.
- ▶ Odczekaj co najmniej dwie godziny przed zainstalowaniem urządzenia, aby upewnić się, że obwód czynnika chłodniczego jest w pełni efektywny.
- ▶ Zawsze przenosić urządzenie z pomocą co najmniej dwóch osób, ponieważ jest ono ciężkie.

Instalacja

- ▶ Urządzenie powinno być umieszczone w dobrze wentylowanym miejscu. Zapewnij przestrzeń co najmniej 10 cm nad urządzeniem i wokół niego.
- ▶ Nigdy nie umieszczaj urządzenia w wilgotnym miejscu lub w takim, w którym może być ochlapane wodą. Zetrzyj plamy i zachlapania do sucha miękką i czystą ściereczką.
- ▶ Nie należy instalować urządzenia w bezpośrednim świetle słonecznym lub w pobliżu źródeł ciepła (np. pieców, grzejników).
- ▶ Zainstaluj i wypoziomuj urządzenie w miejscu odpowiednim dla jego wielkości i przeznaczenia.
- ▶ **OSTRZEŻENIE:** Należy dbać o drożność otworów wentylacyjnych w obudowie urządzenia wolnostojącego lub w konstrukcji do zabudowy.
- ▶ Upewnij się, że informacje dotyczące elektryki na tabliczce znamionowej są zgodne z parametrami zasilania. Jeśli tak nie jest, skontaktuj się z elektrykiem.
- ▶ Urządzenie jest zasilane prądem 220–240 V/50 Hz. Odbiegające od normy wahania napięcia mogą spowodować niewłączenie się urządzenia albo uszkodzenie regulatora temperatury lub sprężarki. Mogą też być przyczyną nietypowego hałasu podczas pracy. W takim przypadku powinien zostać zamontowany automatyczny regulator.
- ▶ Nie używaj adapterów wtyczek i przedłużaczy.
- ▶ **OSTRZEŻENIE:** Za urządzeniem nie powinny się znajdować większe ilości listew zasilających ani przenośnych zasilaczy.
- ▶ **OSTRZEŻENIE:** Podczas ustawiania urządzenia należy się upewnić, że kabel zasilający nie został przygnieciony ani uszkodzony.
- ▶ Nie stawaj na przewodzie zasilającym.
- ▶ Używaj oddzielnego, łatwo dostępnego i uziemionego gniazdka. Urządzenie musi być uziemione.

**OSTRZEŻENIE!**

▶ **Dotyczy tylko Wielkiej Brytanii:** Kabel zasilający urządzenie jest wyposażony we wtyczkę z 3 bolcami (z uziemieniem), która pasuje do standardowego gniazda z 3 przewodami (z uziemieniem). Nigdy nie odcinaj ani nie demontuj trzeciego bolca (z uziemieniem). Po zainstalowaniu urządzenia wtyczka powinna być łatwo dostępna.

▶ **OSTRZEŻENIE:** Uważaj, aby nie uszkodzić obwodu chłodniczego.

Codzienne użytkowanie

▶ Urządzenie może być obsługiwane przez dzieci powyżej 8 roku życia i przez osoby o ograniczonych możliwościach fizycznych, sensorycznych lub umysłowych lub osoby nieposiadające doświadczenia ani wiedzy pod warunkiem, że są one pod odpowiednim nadzorem lub zostały poinstruowane, jak bezpiecznie obsługiwać urządzenie i rozumieją związane z nim zagrożenia.

▶ Dzieci nie powinny bawić się urządzeniem.

▶ Dzieciom w wieku od 3 do 8 lat zezwala się na załadunek i rozładunek urządzeń chłodniczych, ale nie wolno im ich czyścić i instalować.

▶ Trzymaj z dala od urządzenia dzieci poniżej 3 roku życia, chyba że są pod stałym nadzorem.

▶ Czyszczenie i konserwacja nie mogą być wykonywane przez dzieci bez dozoru.

▶ Urządzenie musi być ustawione tak, aby wtyczka była łatwo dostępna.

▶ Jeśli gaz węglowy lub inny łatwopalny gaz wycieka w pobliżu urządzenia, zamknij zawór wyciekającego gazu, otwórz drzwi oraz okna i nie odłączaj ani nie podłączaj kabla zasilającego chłodziarko-zamrażarki lub innego urządzenia.

▶ Zwróć uwagę, że urządzenie jest ustawione do pracy w określonym zakresie temperatur (10–38°C). Urządzenie może nie pracować prawidłowo, jeśli pozostanie na dłuższy czas w temperaturze powyżej lub poniżej podanego zakresu.

▶ Na chłodziarce nie należy umieszczać niestabilnych przedmiotów (ciężkich przedmiotów, pojemników wypełnionych wodą), aby uniknąć obrażeń ciała spowodowanych upadkiem lub porażeniem prądem elektrycznym w wyniku kontaktu z wodą.

▶ Nie ciągnąć za półki drzwiowe. Drzwi mogą być pochylone, stojak na butelki może zostać wyciągnięty lub urządzenie może się przewrócić.

▶ Otwieraj i zamykaj drzwi tylko za pomocą klamek. Szczelina między drzwiami a komorą jest bardzo wąska. Nie trzymaj rąk w tych obszarach, aby uniknąć przycięcia palców. Otwieraj i zamykaj drzwi chłodziarko-zamrażarki tylko wtedy, gdy nie ma dzieci stojących w obrębie ruchu drzwi.

**OSTRZEŻENIE!**

- ▶ Aby uniknąć zanieczyszczenia żywności, należy przestrzegać następujących instrukcji:
- ▶ – Otwarcie drzwi na długi czas może spowodować znaczny wzrost temperatury w komorach urządzenia.
- ▶ – Regularnie czyścić powierzchnie, które mogą mieć kontakt z żywnością oraz dostępne systemy odwadniające.
- ▶ – Wyczyścić zbiorniki na wodę, jeśli nie były używane przez 48 godzin; przepłukać instalację wodną podłączoną do wodociągu, jeśli woda nie była pobierana przez 5 dni.
- ▶ – Surowe mięso i ryby należy przechowywać w odpowiednich pojemnikach w chłodziarce, tak aby nie stykały się z innymi produktami spożywczymi ani nie skapywały na nie ich soki.
- ▶ – Dwugwiazdkowe komory do przechowywania mrożonek są odpowiednie do przechowywania wstępnie zamrożonej żywności, przechowywania lub przygotowywania lodów oraz wytwarzania kostek lodu.
- ▶ – Komory jedno-, dwu- i trzygwiazdkowe nie są odpowiednie do zamrażania świeżej żywności.
- ▶ – Jeżeli urządzenie chłodnicze pozostaje przez dłuższy czas puste, należy je wyłączyć, rozmrozić, wyczyścić, wysuszyć i pozostawić otwarte drzwi, aby zapobiec rozwojowi pleśni wewnątrz urządzenia.
- ▶ Nigdy nie przechowuj butelkowanego piwa lub napojów, płynów w butelkach lub puszkach (oprócz alkoholi wysokoprocentowych), zwłaszcza napojów gazowanych w zamrażarce, ponieważ mogą one pęknąć podczas zamrażania.
- ▶ Nie przechowuj w urządzeniu substancji wybuchowych takich jak aerozole w puszcze z łatwopalnymi gazami nośnymi.
- ▶ Nie należy przechowywać w urządzeniu leków, bakterii lub substancji chemicznych. To urządzenie jest urządzeniem gospodarstwa domowego. Nie zaleca się przechowywania materiałów, które wymagają ściśle określonej temperatury.
- ▶ Sprawdź stan żywności, jeśli w zamrażarce miało miejsce zwiększenie temperatury.
- ▶ Nie ustawiaj niepotrzebnie niskiej temperatury w komorze chłodziarki. Ujemne temperatury mogą wystąpić przy wysokich ustawieniach. Uwaga: Butelki mogą wybuchnąć
- ▶ Nie dotykaj zamrożonych towarów mokrymi rękami (załóż rękawiczki). Szczególnie nie należy jeść lizaków lodowych bezpośrednio po wyjęciu z komory zamrażarki. Istnieje ryzyko przymarznięcia lub powstania pęcherzy. PIERWSZA pomoc: natychmiast polej bieżącą zimną wodą. Nie odrywaj!

**OSTRZEŻENIE!**

- ▶ Nie dotykaj wnętrza komory zamrażalnika podczas pracy, zwłaszcza mokrymi rękami, ponieważ mogą one przymarznąć do jej powierzchni.
- ▶ Odłącz urządzenie w przypadku przerwy w zasilaniu lub przed czyszczeniem. Nie uruchamiaj ponownie urządzenia przez co najmniej 7 minut, ponieważ szybkie włączenie może doprowadzić do uszkodzenia sprężarki.
- ▶ **OSTRZEŻENIE:** Nie używać urządzeń elektrycznych wewnątrz komór do przechowywania żywności, chyba że są to urządzenia typu zalecanego przez producenta.

Konserwacja / czyszczenie

- ▶ Upewnij się, że dzieci są nadzorowane podczas czyszczenia i konserwacji urządzenia.
- ▶ Przed przystąpieniem do rutynowej konserwacji należy odłączyć urządzenie od zasilania elektrycznego. Odczekaj co najmniej 5 minut przed ponownym uruchomieniem urządzenia, ponieważ częste uruchamianie może uszkodzić sprężarkę.
- ▶ Podczas odłączania urządzenia trzymaj za wtyczkę, a nie za przewód.
- ▶ Nie czyść urządzenia za pomocą twardych szczotek, szczotek drucianych, detergentów proszkowych, benzyny, octanu amylu, acetonu i podobnych roztworów organicznych, kwasu lub roztworów alkalicznych. Do czyszczenia należy używać specjalnego detergentu do chłodziarek/zamrażarek, aby uniknąć uszkodzenia. Można użyć ciepłej wody i roztworu sody oczyszczonej – około jedna łyżka stołowa sody oczyszczonej na litr/kwartę wody. Dokładnie spłucz wodą i wytrzyj do sucha. Nie używaj proszków czyszczących ani innych środków czyszczących o właściwościach ściernych. Nie myj wyjmowanych części urządzenia w zmywarce.
- ▶ Nie zeskrobuj szronu i lodu ostrymi przedmiotami. Nie używaj rozpylaczy, grzejników elektrycznych, takich jak suszarka do włosów, myjek parowych lub innych źródeł ciepła, aby uniknąć uszkodzenia plastikowych części.
- ▶ **OSTRZEŻENIE:** Nie używaj urządzeń mechanicznych ani innych środków do przyspieszania procesu rozmrażania, chyba że są one zalecane przez producenta.
- ▶ Jeśli kabel zasilający ulegnie uszkodzeniu, dla bezpieczeństwa należy zlecić jego wymianę producentowi, autoryzowanemu serwisowi lub osobom o podobnych kwalifikacjach.
- ▶ Nie należy próbować samodzielnie naprawiać, demontować ani modyfikować urządzenia. W przypadku konieczności naprawy prosimy o kontakt z naszym działem obsługi klienta.
- ▶ Jeśli lampy oświetleniowe ulegną uszkodzeniu, dla bezpieczeństwa należy zlecić ich wymianę producentowi, autoryzowanemu serwisowi lub osobom o podobnych kwalifikacjach.



OSTRZEŻENIE!

- ▶ Usuń kurz z tyłu urządzenia co najmniej raz w roku, aby uniknąć zagrożenia ogniem, a także zwiększonego zużycia energii.
- ▶ Nie używaj aerozolu ani nie przepłukuj urządzenia podczas czyszczenia.
- ▶ Nie używaj wody lub pary do czyszczenia urządzenia.
- ▶ Nie czyść zimnych szklanych półek lub drzwi gorącą wodą. Nagła zmiana temperatury może spowodować pęknięcie szkła.
- ▶ Jeśli urządzenie nie będzie używane przez dłuższy czas, należy pozostawić je otwarte, aby zapobiec powstawaniu nieprzyjemnych zapachów w jego wnętrzu.

Informacje dotyczące czynnika chłodniczego



OSTRZEŻENIE!

Urządzenie zawiera łatwopalny czynnik chłodniczy IZOBUTAN (R600a). Upewnij się, że układ chłodniczy nie został uszkodzony podczas transportu lub instalacji. Wyciek czynnika może spowodować uszkodzenie wzroku lub zapalenie. Jeśli wystąpiło uszkodzenie, trzymaj urządzenie z dala od otwartych źródeł ognia, dokładnie przewietrz pomieszczenie, **nie** podłączaj ani nie odłączaj kabli zasilających tego lub innego urządzenia. Poinformuj obsługę klienta.

W przypadku kontaktu czynnika chłodniczego z oczami natychmiast przepłucz je pod bieżącą wodą i natychmiast skontaktuj się z okulistą.

OSTRZEŻENIE: Układ chłodniczy jest pod wysokim ciśnieniem. Nie manipuluj nim. Ponieważ stosowane są palne czynniki chłodnicze, urządzenie należy zainstalować, obsługiwać i serwisować ściśle według instrukcji obsługi i skontaktować się z profesjonalnym przedstawicielem lub naszym serwisem posprzedażowym w celu utylizacji urządzenia.



OSTRZEŻENIE!

W przypadku chłodziarek z funkcją Ice-Water należy zwrócić uwagę na następujące ostrzeżenie:

W przypadku urządzeń nieprzeznaczonych do podłączenia do sieci wodociągowej:

OSTRZEŻENIE: napełnić wyłącznie wodą pitną.

W przypadku urządzeń przeznaczonych do podłączenia do sieci wodociągowej:

OSTRZEŻENIE: podłącz tylko do zasilania wodą pitną.

Aby wyczyścić instalację wodną, należy zapoznać się z Instrukcją obsługi. W razie pytań prosimy o kontakt z serwisem posprzedażnym.

Przeznaczenie

To urządzenie jest przeznaczone do chłodzenia i zamrażania żywności. Został zaprojektowany wyłącznie do użytku w gospodarstwach domowych i podobnych zastosowaniach, takich jak pomieszczenia kuchenne dla personelu w sklepach, biurach i innych środowiskach pracy; w gospodarstwach rolnych oraz przez klientów w hotelach, motelach i innych obiektach mieszkalnych, a także w pensjonatach i gastronomii. Nie jest przeznaczone do użytku komercyjnego ani przemysłowego.

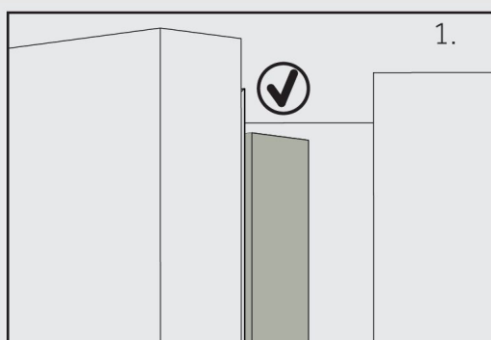
Zmiany lub modyfikacje urządzenia są niedozwolone. Użycie niezgodne z przeznaczeniem może spowodować zagrożenie i utratę roszczeń gwarancyjnych.

Normy i dyrektywy **CE** oraz **UKCA**

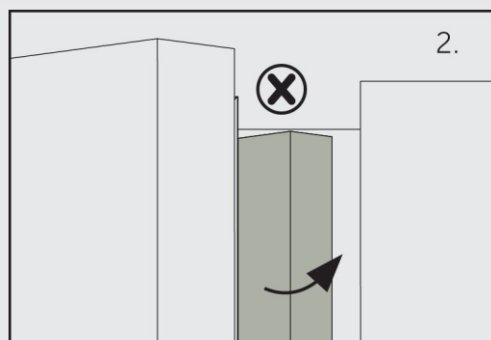
Produkt ten spełnia wymagania wszystkich obowiązujących dyrektyw UE z odpowiednimi normami zharmonizowanymi, które przewidują oznakowanie CE.



OSTROŻNIE!



Po zamknięciu drzwi pionowa listwa drzwi na lewych drzwiach powinna być wygięta wewnątrz (1).



Jeśli próbujesz zamknąć lewe drzwi, a pionowa listwa drzwiowa jest niezapięta (2), należy ją najpierw zgiąć, w przeciwnym razie listwa drzwiowa uderzy w wał mocujący lub prawe drzwi. W ten sposób może dojść do uszkodzenia drzwi lub wycieku.

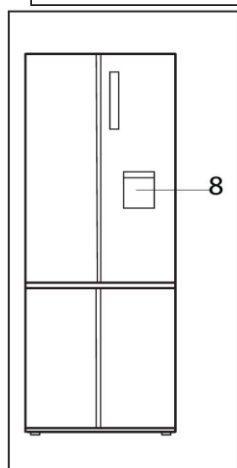
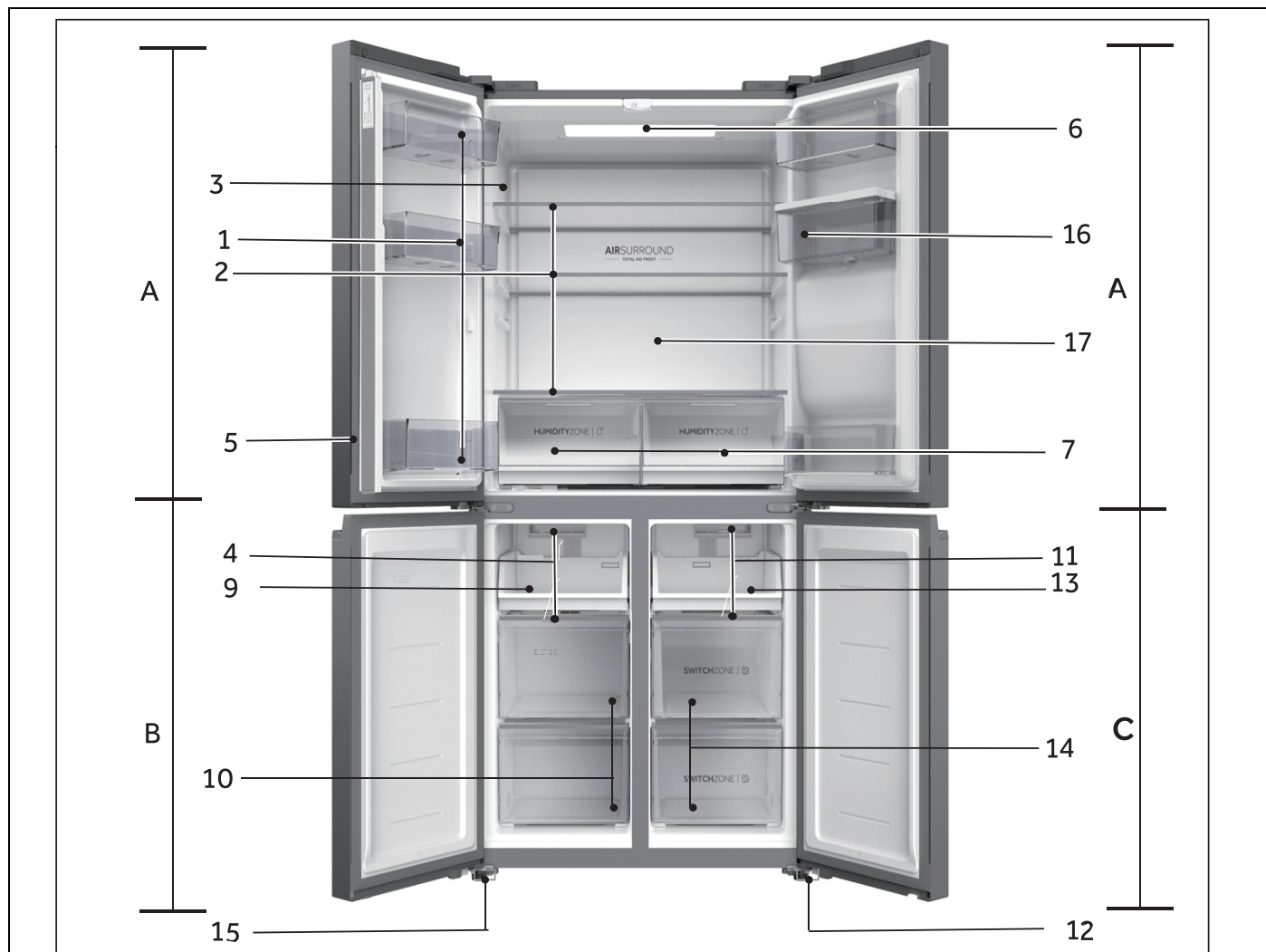
W ramie znajduje się gwint grzewczy. Temperatura powierzchni nieco wzrośnie, co jest normalne i nie wpłynie na działanie urządzenia.



Uwaga

Z powodu zmian technicznych i różnych modeli, niektóre ilustracje w tej instrukcji mogą się różnić od Twojego modelu.

Model (HCW58F18EWMP)



A: Komora chłodziarki

- 1 Półka w drzwiach
- 2 Półka szafki
- 3 Tabliczka znamionowa
- 5 Listwa drzwiowa
- 6 Oświetlenie sufitowe
- 7 Szuflada Humidity zone
- 8 Dozownik wody
- 16 Zbiornik na wodę
- 17 Kanał powietrzny

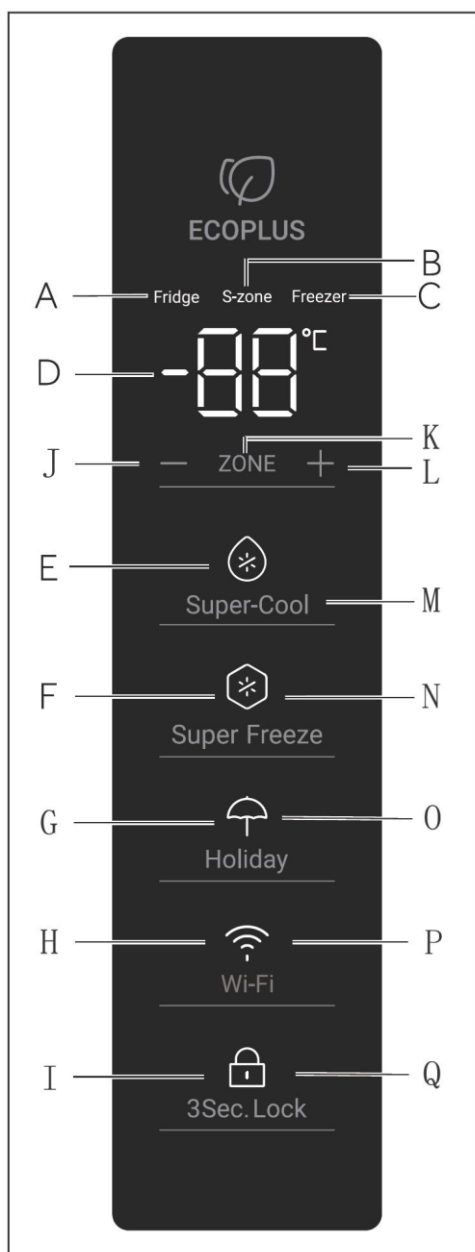
B: Komora zamrażarki

- 4 Kanał powietrzny
- 9 Taca do przechowywania
- 10 Szuflada
- 15 Regulowane nóżki

C: Komora Switch Zone

- 11 Kanał powietrzny
- 12 Regulowane nóżki
- 13 Taca do przechowywania
- 14 Szuflada do przechowywania w Switch Zone

Panel sterowania (HCW58F18EWMP)



Wskaźnik:

- A Komora chłodziarki
- B Switch Zone
- C Komora zamrażarki
- D Wyświetlacz temperatury
- E Funkcja Super Cool
- F Funkcja Super Freeze
- G Tryb Holiday
- H Funkcja Wi-Fi
- I Blokada panelu

Przyciski:

- J Regulacja temperatury „-”
- K Wybór komory
- L Regulacja temperatury „+”
- M Przełącznik funkcji Super Cool
- N Przełącznik funkcji Super Freeze
- O Przełącznik trybu Holiday
- P Funkcja Wi-Fi włączona/wyłączona
- Q Selektor blokady panelu

Przed pierwszym użyciem

- ▶ Usuń wszelkie opakowania, trzymaj je w miejscu niedostępnym dla dzieci i zutylizuj w sposób przyjazny dla środowiska.
- ▶ Przed włożeniem żywności wyczyść wnętrze i obudowę urządzenia wodą z dodatkiem łagodnego detergentu.
- ▶ Po wypoziomowaniu i wyczyszczeniu urządzenia odczekaj co najmniej 2-5 godzin przed podłączeniem go do zasilania. Zob. rozdział INSTALACJA.
- ▶ Przed załadowaniem żywności należy wstępnie schłodzić komory z wysokimi ustawieniami. Funkcja Power-Freeze pomaga szybko schłodzić komory.
- ▶ Temperatury chłodziarki, Switch Zone i zamrażarki są automatycznie ustawiane odpowiednio na 5°C, -18°C oraz -18°C. To są zalecane ustawienia. W razie potrzeby można ręcznie zmienić ustawioną temperaturę. Zob. rozdział REGULACJA TEMPERATURY.

Klawisze czujnika

Przyciski na panelu sterowania są klawiszami czujników, które reagują przy delikatnym dotknięciu palcem.

Włącz/Wyłącz urządzenie

Urządzenie zacznie pracę jak tylko zostanie podłączone do źródła energii.

Gdy chłodziarka jest włączana po raz pierwszy, zapala się wskaźnik „D” (wyświetlacz temperatury). Temperatura chłodziarki, temperatura Switch Zone i temperatura zamrażarki są automatycznie ustawiane odpowiednio na 5°C, -18°C i -18°C.

Może blokada panelu jest aktywna.



Uwaga

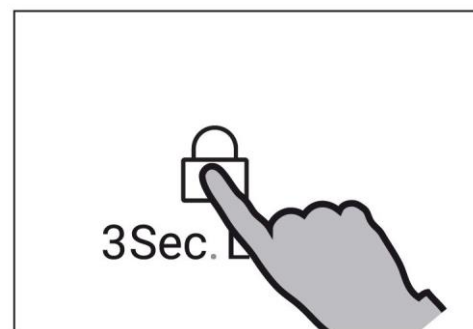
Urządzenie jest wstępnie ustawione na zalecaną temperaturę 5°C (chłodziarka), -18°C (Switch Zone) and - 18°C (zamrażarka). W normalnych warunkach otoczenia nie trzeba ustawiać temperatury.

Gdy urządzenie zostanie włączone po uprzednim odłączeniu od głównego źródła zasilania, osiągnięcie prawidłowej temperatury może potrwać do 12 godzin.

Przed wyłączeniem należy opróżnić urządzenie. Aby wyłączyć urządzenie, wyciągnij przewód zasilający z gniazdka.

Panel blokady/odblokowania

Ekran wyświetlacza wyłącza się automatycznie po 30 sekundach od naciśnięcia klawisza. Wyświetlacz zostanie automatycznie zablokowany. Zapala się automatycznie po naciśnięciu dowolnego klawisza lub otwarciu dowolnych drzwi.



Uwaga

Temperatura chłodziarki, temperatura Switch Zone, temperatura zamrażarki, funkcja Super Cool, funkcja Super Freeze, tryb Holiday, funkcja Wi-Fi nie mogą być regulowane w stanie blokady.

Tryb czuwania

Ekran wyświetlacza wyłącza się automatycznie 30 sekund po naciśnięciu klawisza. Wyświetlacz zostanie automatycznie zablokowany. Zapala się automatycznie po dotknięciu dowolnego klawisza lub otwarciu drzwi. (Alarm nie podświetla ekranu wyświetlacza).

Tryb regulacji ręcznej

Jeśli chcesz ręcznie wyregulować temperaturę urządzenia, możesz ustawić przycisk regulacji temperatury (patrz REGULACJA TEMPERATURY)

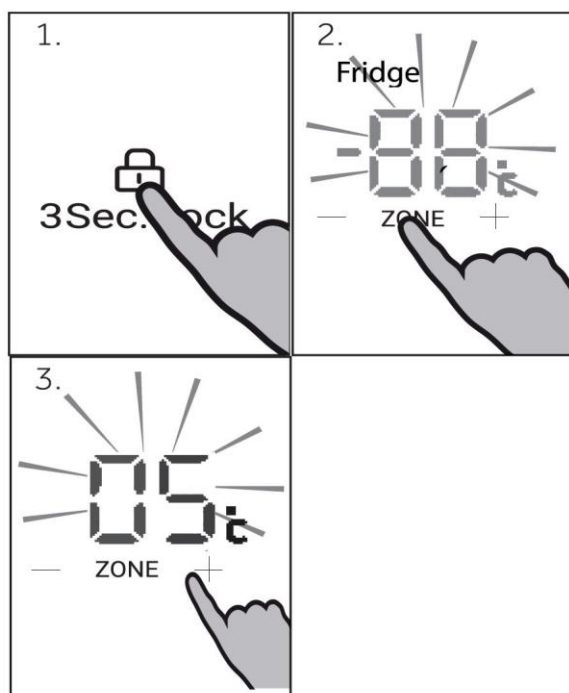
Wyreguluj temperaturę

Na temperaturę wewnątrz chłodziarki wpływają następujące czynniki:

- ▶ Temperatura otoczenia
- ▶ Częstotliwość otwierania drzwi
- ▶ Ilość przechowywanej żywności
- ▶ Instalacja urządzenia

Alarm drzwi

Alarm drzwi zostanie uruchomiony, gdy drzwi będą otwarte przez dłuższy czas lub nie zostaną prawidłowo zamknięte, jako przypomnienie.



Wyreguluj temperaturę chłodziarki

Odblokuj ustawienia przez przytrzymanie naciśnięcia klawisza „Q” przez 3 sekundy.

W stanie odblokowania naciśnij klawisz „K” (wybór komory), aby przełączać się między komorami. Gdy zaświeci się wskaźnik „A” (wskaźnik komory chłodziarki), naciśnij przycisk „J” (kontrola temperatury lub przycisk „L” (kontrola temperatury „+”), aby wyregulować temperaturę komory chłodziarki. Wartość wyświetlana na wskaźniku „D” zmniejsza się o 1°C po każdym naciśnięciu przycisku „J”.

Wyświetlacz miga i świeci stałym światłem z ustawioną temperaturą, a następnie gaśnie po kilku sekundach. Odpowiednio, wartość wyświetlana na wskaźniku „D” wzrasta o 1°C przy każdym naciśnięciu przycisku „L”. Wyświetlacz miga i świeci stałym światłem z ustawioną temperaturą, a następnie gaśnie po kilku sekundach. Temperaturę komory chłodziarki można regulować w zakresie od 1°C do 9°C z przyrostem o 1°C.



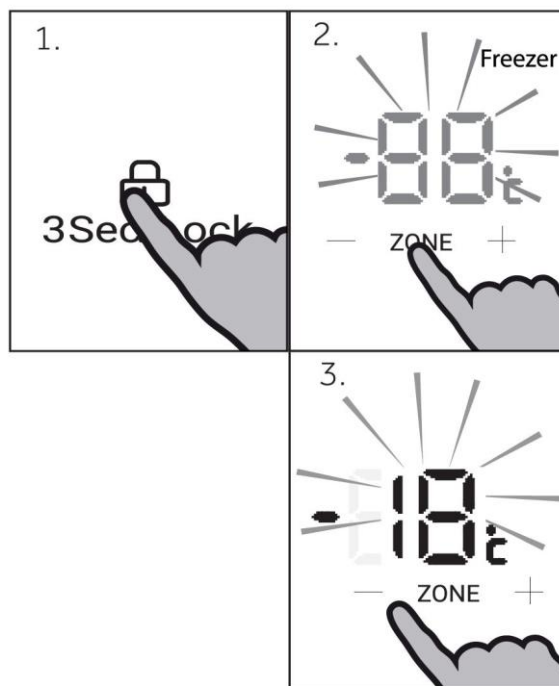
Uwaga

Temperatury chłodziarki nie można regulować w trybie Super Cool, Holiday i blokady.

Ustaw temperaturę zamrażarki

Odblokuj ustawienia przez przytrzymanie naciśnięcia klawisza „Q” przez 3 sekundy.

W stanie odblokowania naciśnij klawisz „K” (wybór komory), aby przełączać się między komorami. Gdy zaświeci się wskaźnik „C” (wskaźnik komory zamrażarki), naciśnij przycisk „J” (kontrola temperatury „-”) lub przycisk „L” (kontrola temperatury „+”), aby ustawić temperaturę komory zamrażarki. Wartość wyświetlana na wskaźniku „D” zmniejsza się o 1°C po każdym naciśnięciu przycisku „J”. Wyświetlacz miga i świeci stałym światłem z ustawioną temperaturą, a następnie gaśnie po kilku sekundach. Odpowiednio, wartość wyświetlana na wskaźniku „D” wzrasta o 1°C przy każdym naciśnięciu przycisku „L”. Wyświetlacz miga i świeci stałym światłem z ustawioną temperaturą, a następnie gaśnie po kilku sekundach. Temperaturę w komorze zamrażarki można regulować w zakresie od -14°C do -24°C z przyrostem o 1°C.



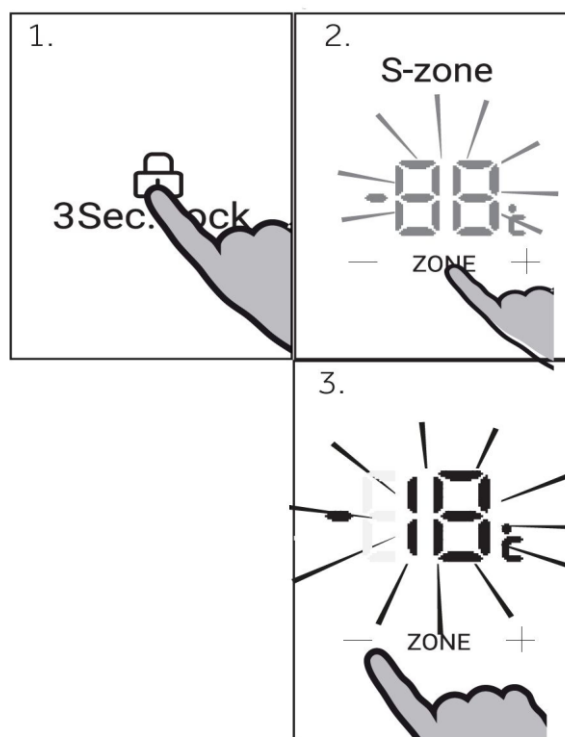
Uwaga

Temperatury zamrażarki nie można regulować w stanie Super Freeze i blokady.

Dostosuj temperaturę Switch Zone

Odblokuj ustawienia przez przytrzymanie naciśnięcia klawisza „Q” przez 3 sekundy.

W stanie odblokowania naciśnij klawisz „K” (wybór komory), aby przełączać się między komorami. Gdy zaświeci się wskaźnik „B” (wskaźnik Switch Zone), naciśnij przycisk „J” (kontrola temperatury „-”) lub przycisk „L” (kontrola temperatury „+”), aby wyregulować temperaturę komory Switch Zone. Wartość wyświetlana na wskaźniku „D” zmniejsza się o 1°C po każdym naciśnięciu przycisku „J”. Wyświetlacz miga i świeci stałym światłem z ustawioną temperaturą, a następnie gaśnie po kilku sekundach. Odpowiednio, wartość wyświetlana na wskaźniku „D” wzrasta o 1°C przy każdym naciśnięciu przycisku „L”. Wyświetlacz miga i świeci stałym światłem z ustawioną temperaturą, a następnie gaśnie po kilku sekundach. Temperaturę komory Switch Zone można regulować w zakresie od 5°C do -18°C z przyrostem o 1°C.



Uwaga

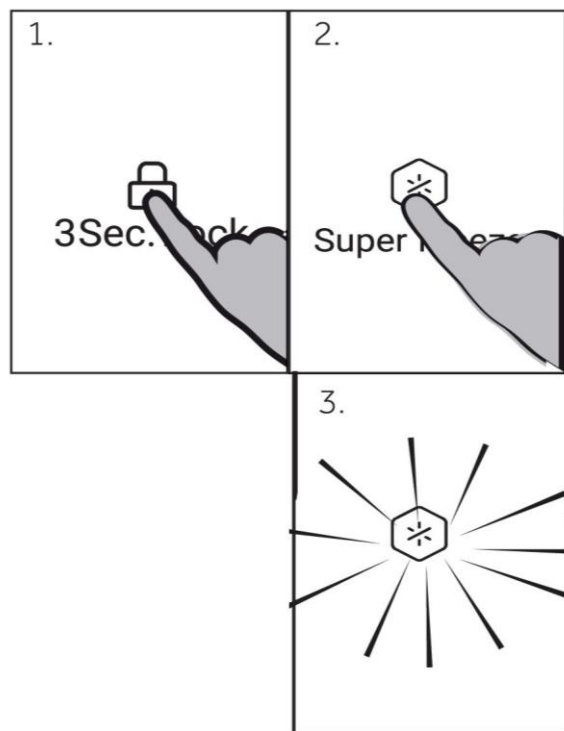
Temperatura Switch Zone nie może być regulowana w stanie blokady.

Funkcja Super Freeze

Funkcja Super Freeze może zamrozić świeżą żywność tak szybko, jak to możliwe, poprzez przyspieszenie zamrażania, aby zachować najlepszą wartość odżywczą, wygląd i smak żywności. Jeśli konieczne jest jednorazowe zamrożenie dużej ilości żywności, zaleca się włączenie funkcji Super Freeze na 24 godziny przed użyciem komory zamrażarki.

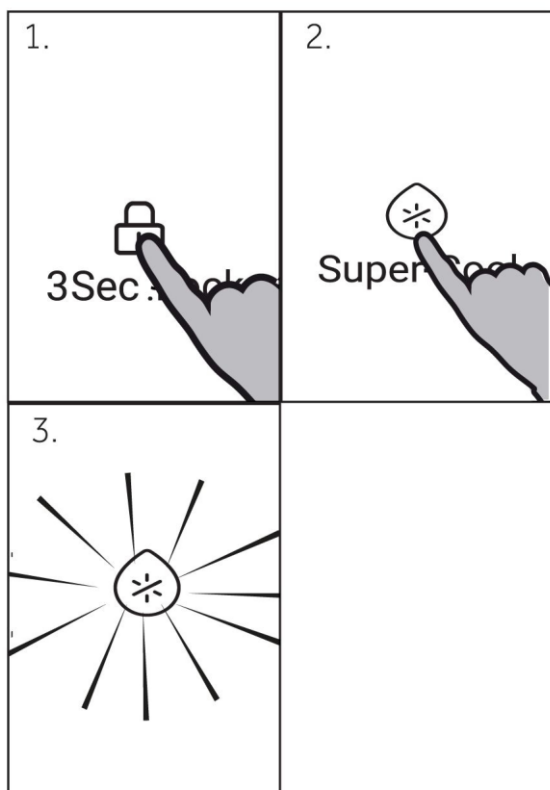
Odblokuj ustawienia przez przytrzymanie naciśnięcia klawisza „Q” przez 3 sekundy.

W stanie odblokowania naciśnij przycisk „N” (wybór funkcji Super Freeze), wskaźnik „F” (wskaźnik funkcji Super Freeze) zapali się, produkt przejdzie w tryb Super Freeze. Produkt automatycznie wychodzi z trybu Super Freeze po 50 godzinach aktywacji. Aby ręcznie wyjść z trybu Super Freeze, naciśnij przycisk „N” (wybór funkcji Super Freeze) w stanie odblokowania, wskaźnik „F” (wskaźnik funkcji Super Freeze) zgaśnie, produkt wyjdzie z trybu Super Freeze.



Uwaga

W trybie Super Freeze przyciski „J” (kontrola temperatury „-”) i przycisk „L” (kontrola temperatury „+”) są zablokowane, gdy wybrana jest komora zamrażarki i nie można regulować temperatury w komorze zamrażarki.



Funkcja Super Cool

Po włożeniu żywności do komory chłodziarki, jeśli chcesz ją szybko schłodzić, możesz włączyć funkcję Super Cool.

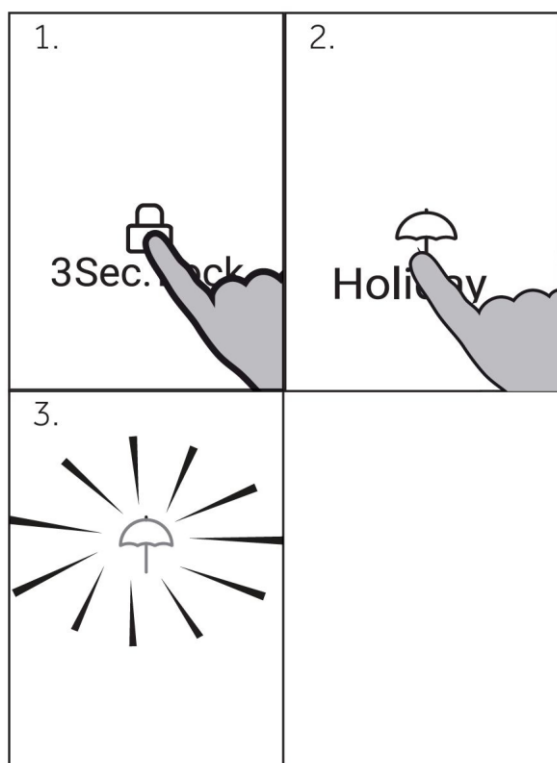
Odblokuj ustawienia przez przytrzymanie naciśnięcia klawisza „Q” przez 3 sekundy.

W stanie odblokowania naciśnij klawisz „M” (wybór funkcji Super Cool), wskaźnik „E” (wskaźnik funkcji Super Cool) zapala się, produkt przechodzi w tryb Super Cool. Produkt automatycznie wychodzi z trybu Super Cool po 6 godzinach od aktywacji. Aby ręcznie wyjść z trybu Super Cool, naciśnij klawisz „M” (selektor funkcji Super Cool) w stanie odblokowania, wskaźnik „E” (wskaźnik funkcji Super Cool) gaśnie, produkt wychodzi z trybu Super Cool.



Uwaga

Funkcja Super Cool wyłącza się automatycznie po wybraniu trybu Holiday. W trybie Super Cool, klawisz T (kontrola temperatury „-”) i klawisz „L” (kontrola temperatury „+”) są zablokowane, gdy wybrana jest komora chłodziarki i nie można regulować temperatury komory chłodziarki.



Tryb Holiday

W trybie Holiday komora chłodziarki automatycznie ustawia się na 17°C (dla oszczędności energii), podczas gdy Switch Zone i komora zamrażarki działają w normalnych ustawieniach temperatury.

Odblokuj ustawienia przez przytrzymanie naciśnięcia klawisza „Q” przez 3 sekundy.

W stanie odblokowania naciśnij przycisk „O” (wybór trybu Holiday), wskaźnik „G” (wskaźnik trybu Holiday) zapala się, produkt przechodzi w tryb Holiday; aby wyjść, naciśnij przycisk „O” (przełącznik trybu Holiday), wskaźnik „G” gaśnie, a produkt wychodzi z trybu Holiday.



Uwaga


Tryb Holiday kończy się automatycznie po włączeniu funkcji Super Cool.




W trybie Holiday klawisz „J” (kontrola temperatury „-”) i klawisz „L” (kontrola temperatury „+”) jest zablokowany, gdy wybrana jest komora chłodziarki i nie można regulować temperatury komory chłodziarki.

Ustawienia trybu Wi-Fi

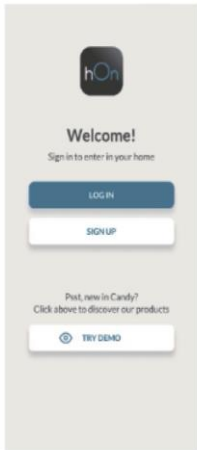
PROCEDURA PAROWANIA APLIKACJI

Krok 1 • Pobierz aplikację hOn w sklepie




Krok 2 Załóż konto w aplikacji hOn lub zaloguj się, jeśli masz już konto



Krok 3 Postępuj zgodnie z instrukcjami parowania w aplikacji hOn App



Funkcja Wi-Fi

Jeśli sieć Wi-Fi nie została jeszcze skonfigurowana, po włączeniu chłodziarki po raz pierwszy automatycznie przejdzie ona w tryb konfiguracji i utrzyma ten stan przez 30 minut.

Ikona Wi-Fi „H” szybko miga i można rozpocząć rejestrację produktu.

1. Należy postępować zgodnie z instrukcjami aplikacji, aby skonfigurować sieć Wi-Fi.
2. Po skonfigurowaniu sieci Wi-Fi i nawiązaniu połączenia ikona Wi-Fi „H” jest włączona i stała.
3. Po 30 minutach bez wykonywania żadnych operacji, sieć Wi-Fi automatycznie wyjdzie z trybu konfiguracji.
4. Jeśli sieć Wi-Fi została już skonfigurowana, po włączeniu sieci Wi-Fi automatycznie połączy się ponownie zgodnie z informacjami konfiguracyjnymi.



Uwaga

1. Ten produkt nie jest przeznaczony do użytku komercyjnego.
2. Częstotliwość robocza nadajnika: 2400 MHz ~ 2483,5 MHz
3. Maksymalna moc wyjściowa nadajnika: 20dBm



Uwaga

1. Aby wyłączyć Wi-Fi, naciśnij klawisz Wi-Fi „P”, a ikona Wi-Fi „H” zgaśnie.
2. Aby włączyć Wi-Fi i rozpocząć konfigurację, naciśnij klawisz Wi-Fi „P”, a ikona Wi-Fi „H” zacznie powoli migać. Jeśli chcesz wyłączyć funkcję Wi-Fi, naciśnij raz klawisz „P”. Jeśli chcesz skonfigurować funkcję Wi-Fi, naciśnij przycisk „P” przez 3 sekundy, ale krócej niż 20 sekund, a zabrzmi sygnał dźwiękowy, ikona Wi-Fi zacznie szybko migać i przejdzie do trybu konfiguracji. Powyższe kroki są powtarzane.
3. jeśli produkt został skonfigurowany, a funkcja Wi-Fi została wyłączona, chłodziarka nie wejdzie w tryb konfiguracji po ponownym podłączeniu do zasilania.
4. Po skonfigurowaniu sieci Wi-Fi i nawiązaniu połączenia ikona Wi-Fi „H” jest włączona i stała.

Alarm drzwi

Alarm drzwi zostanie uruchomiony, gdy drzwi będą otwarte przez dłuższy czas lub nie zostaną prawidłowo zamknięte, jako przypomnienie.

DRZWI CHŁODZIARKI LEWE

DRZWI CHŁODZIARKI PRAWO

DRZWI ZAMRAŻARKI

DRZWI SWITCH ZONE

Dozownik wody

Za pomocą dozownika wody można pobierać zimną wodę pitną.

Przed pierwszym użyciem należy wyczyścić zbiornik na wodę (patrz PIELĘGNACJA I CZYSZCZENIE).

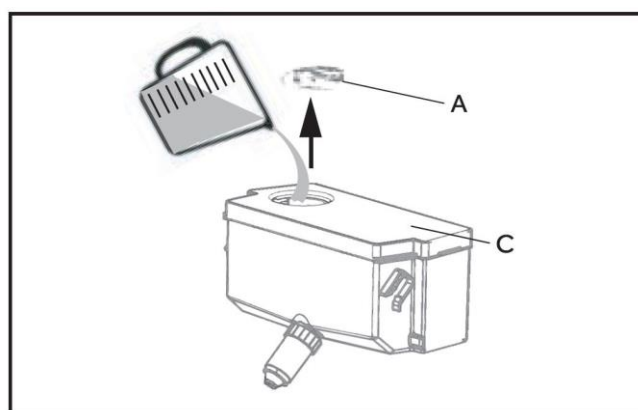
Napełnienie zbiornika na wodę



OSTRZEŻENIE!

Napełniaj tylko wodą pitną.

1. Upewnij się, że zbiornik na wodę został wstawiony prawidłowo (patrz WYPOSAŻENIE)
2. Obróć i unieś okrągłą pokrywę (A) i napełnij zbiornik świeżą wodą pitną.
3. Nalej wodę tylko kreski (2,5l), ponieważ może wylać się podczas otwierania i zamykania drzwi.
4. Zamknij okrągłą pokrywę (A), aż zatrzaśnie się na swoim miejscu.

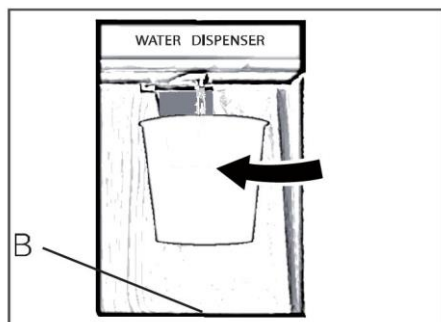


Uwaga: Dozownik wody

Przed ponownym napełnieniem usuń resztki wody i wyczyść zbiornik.

Jeśli nie potrzebujesz wody przez dłuższy czas, opróżnij zbiornik na wodę i włóż wyczyszczony zbiornik.

Pokrywa (C) zbiornika na wodę jest dodatkowo wykorzystywana w celu oszczędzania energii. Jeśli nie chcesz pobierać wody z dozownika przez dłuższy czas, to mimo wszystko zainstaluj pokrywę ze względu na lepszą izolację i oszczędność energii.



Pobieranie wody z dozownika

1. Umieść szklankę pod wylotem wody.
2. Delikatnie naciśnij dźwignię dozownika wody. Upewnij się, że szklanka znajduje się w jednej linii z dozownikiem, aby zapobiec rozpryskiwaniu się wody.
3. Woda w tacy (B) powinna być w porę usunięta, gdyż może się przelać podczas otwierania i zamykania drzwi.

Wskazówki dotyczące przechowywania świeżej żywności

Przechowywanie w komorze chłodziarki

- ▶ Należy utrzymywać temperaturę w chłodziarce poniżej 5°C.
- ▶ Gorące jedzenie musi zostać schłodzone do temperatury pokojowej przed włożeniem go do urządzenia.
- ▶ Żywność przechowywana w chłodziarce powinna zostać wcześniej umyta i wysuszona
- ▶ Przechowywana żywność powinna być odpowiednio zamknięta, co pozwoli uniknąć zmiany zapachu lub smaku.
- ▶ Nie przechowuj nadmiernych ilości żywności. Należy zachować odstępy pomiędzy produktami spożywczymi, aby umożliwić cyrkulację zimnego powietrza dla zapewnienia lepszego i bardziej jednorodnego chłodzenia.
- ▶ Żywność spożywaną codziennie należy przechowywać z przodu półki.
- ▶ Pozostaw szczelinę pomiędzy żywnością a wewnętrznymi ściankami, umożliwiającą przepływ powietrza. W szczególności nie należy przechowywać żywności przy tylnej ścianie: żywność może zamarznąć przy tylnej ścianie. Unikać bezpośredniego kontaktu żywności (zwłaszcza tłustej lub kwaśnej) z wkładką wewnętrzną, ponieważ olej/kwas może spowodować erozję wkładki wewnętrznej. Usuwać tłuste/kwaśne zabrudzenia, gdy tylko się pojawią.
- ▶ Rozmrażaj mrożoną żywność w komorze chłodziarki. W ten sposób można wykorzystać zamrożoną żywność do obniżenia temperatury w komorze i oszczędzania energii.
- ▶ W chłodziarce można przyspieszyć proces starzenia się owoców i warzyw takich jak cukinia, melon, papaja, banan, ananas itp. Dlatego nie zaleca się przechowywania ich w chłodziarce. Jednak przez pewien czas możliwe jest przyspieszenie dojrzewania zielonych owoców. Cebula, czosnek, imbir i inne warzywa korzeniowe również powinny być przechowywane w temperaturze pokojowej.
- ▶ Nieprzyjemne zapachy wewnątrz chłodziarki to znak, że coś się rozlało i konieczne jest czyszczenie. Zobacz „PIELĘGNACJA I CZYSZCZENIE”.
- ▶ Różne rodzaje żywności powinny być umieszczane w różnych miejscach w zależności od ich właściwości:



Uwaga

Należy zachować odległość większą niż 10 mm między umieszczoną żywnością a kanałem wentylacyjnym lub czujnikami, aby zapewnić efekt chłodzenia.



- 1 Masło, sery itp.
- 2 Jaja, napoje w puszkach, konserwy, przyprawy itp.
- 3 Napoje i żywność w butelkach.
- 4 Żywność marynowana, konserwy itp.
- 5 Produkty mięsne, przekąski, makarony, konserwy, mleko, tofu, nabiał itp.
- 6 Gotowane mięso, kiełbaski itp.
- 7 Szuflada Humidity zone: Owoce, warzywa, sałatka itp.
- 8 Szuflada Humidity zone: Owoce, warzywa, sałatka itp.

Przechowywanie w komorze Switch Zone

Komora Switch Zone umożliwia regulację temperatury w zakresie od -18°C do 5°C zgodnie z zapotrzebowaniem przechowywania żywności i zapewnia dodatkową elastyczność opcji przechowywania dla Twojej wygody.

-18°C	Dla mrożonych artykułów spożywczych, które wymagają przechowywania od 1 do 12 miesięcy.	Mięso, drób, owoce morza, wstępnie ugotowane potrawy i resztki, niektóre owoce i warzywa, lody i inne mrożone desery.
-7°C	Umożliwia łatwe porcjowanie żywności oraz możliwość podgrzewania, gotowania lub serwowania żywności bezpośrednio z komory bez czekania, aż się rozmrozi.	Mięsa, owoce morza, zupy, sosy, przeciery, chleb, desery i ciastka. Uwaga: Polecany do przechowywania kremowych deserów, np. lodów.
0°C	Zapewniają idealną strefę przechowywania szybko psującej się żywności, aby zapewnić jej niezbędną świeżość i jakość.	Szybko psujące się mięsa, drób i owoce morza. Napoje alkoholowe, takie jak piwo.
5°C	Idealny tryb do świeżej żywności, takiej jak owoce i warzywa, nabiał, mięso i napoje.	Owoce i warzywa, nabiał, dżemy i chutney/przetwory, mięso i napoje.

Przechowywanie w komorze zamrażarki

- ▶ Należy utrzymywać temperaturę zamrażarki na poziomie - 18°C
- ▶ 24 godziny przed włączeniem funkcji Super-freeze; - dla małych ilości żywności wystarczy 4-6 godzin.
- ▶ Gorące jedzenie musi zostać schłodzone do temperatury pokojowej przed włożeniem go do komory zamrażarki.
- ▶ Żywność pokrojona na małe porcje zamraża się szybciej i jest łatwiejsza do rozmrożenia i ugotowania. Zalecana waga każdej porcji wynosi mniej niż 2,5 kg
- ▶ Zaleca się zapakowanie żywności przed jej włożeniem do zamrażarki. Zewnętrzna strona opakowania musi być sucha, aby uniknąć sklejaną się worków. Materiały opakowaniowe powinny być bezwonne, hermetyczne, nietrujące i nietoksyczne.
- ▶ Aby uniknąć upływu terminu przydatności do spożycia, należy podać na opakowaniu datę zamrożenia, termin i nazwę produktu, zgodnie z okresami przechowywania różnych produktów spożywczych.
- ▶ **OSTRZEŻENIE!:** Kwas, zasady, sól itp. mogą spowodować erozję wewnętrznej powierzchni zamrażarki. Nie należy umieszczać żywności zawierającej te substancje (np. ryb morskich) bezpośrednio na wewnętrznej powierzchni. Słona woda w zamrażarce powinna być natychmiast oczyszczona.
- ▶ Nie należy przekraczać czasu przechowywania żywności zalecanego przez producentów. Należy wyjąć z zamrażarki tylko wymaganą ilość jedzenia.
- ▶ Należy szybko spożyć rozmrożoną żywność. Rozmrożonego jedzenia nie wolno ponownie zamrażać, jeśli nie zostanie najpierw ugotowane, w przeciwnym razie może być niejadalne.
- ▶ Nie wkładaj nadmiernej ilości świeżej żywności do komory zamrażarki. Patrz pojemność zamrażarki - patrz DANE TECHNICZNE lub dane na tabliczce znamionowej.
- ▶ Żywność może być przechowywana w zamrażarce w temperaturze wynoszącej co najmniej -18°C przez okres od 2 do 12 miesięcy, w zależności od jej właściwości (np. mięso: 3-12 miesięcy, warzywa: 6-12 miesięcy)
- ▶ Podczas zamrażania świeżej żywności należy unikać kontaktu z już zamrożoną żywnością. Ryzyko rozmrożenia!

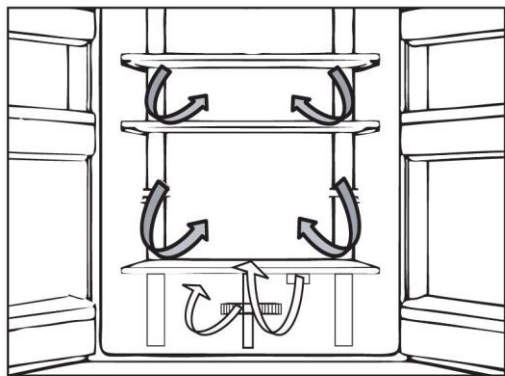
Przechowując komercyjnie zamrożoną żywność, należy przestrzegać następujących wytycznych:

- ▶ Zawsze postępuj zgodnie z wytycznymi producenta dotyczącymi czasu przechowywania żywności. Nie przekraczaj czasu wskazanego w tych wytycznych!
- ▶ Staraj się, aby czas od zakupu do umieszczenia w zamrażarce był jak najkrótszy, aby zachować jakość żywności.
- ▶ Kupuj mrożonki, które były przechowywane w temperaturze -18°C lub niższej.
- ▶ Unikaj kupowania żywności, której opakowanie jest pokryte lodem lub szronem — oznacza to, że produkty mogły w pewnym momencie zostać częściowo rozmrożone i ponownie zamrożone — wzrost temperatury wpływa na jakość żywności..



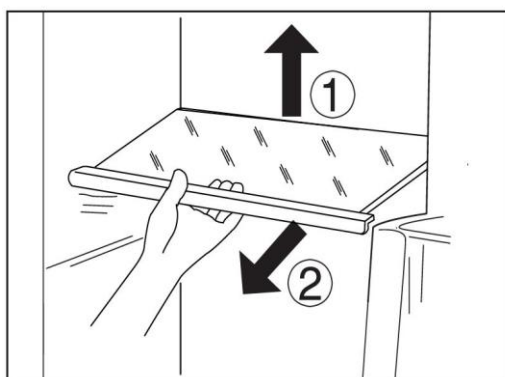
Uwaga

- ▶ Należy zachować odległość większą niż 10 mm między umieszczoną żywnością a kanałem wentylacyjnym, aby zapewnić efekt chłodzenia.



System obiegu powietrza

Chłodziarka jest wyposażona w system obiegu powietrza, dzięki któremu chłodne strumienie powietrza znajdują się na każdym poziomie półki. Pomaga to utrzymać jednolitą temperaturę, dzięki czemu żywność jest dłużej świeża.



Regulowane półki

Wysokość półek można dostosować do potrzeb przechowywania.

1. Aby przenieść półkę, zdejmij ją najpierw, podnosząc tylną krawędź (1) i wyciągając (2).
2. Aby ponownie zamontować półkę, należy nałożyć ją na uchwyty po obu stronach i przesunąć do pozycji najbardziej wysuniętej do tyłu, aż tylna część półki znajdzie się w szczelinach po bokach



Uwaga:

Upewnij się, że wszystkie końce półki są wypoziomowane.

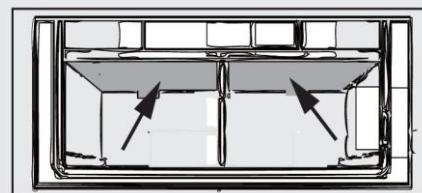
Szuflada Humidity zone

W tej komorze poziom wilgotności wynosi około 85%. Jest sterowany automatycznie przez system i pozwala na przechowywanie owoców, warzyw, sałatek itp.



Uwaga:

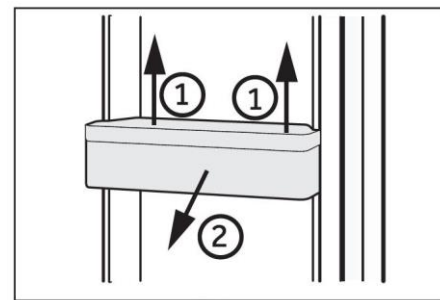
- ▶ Nie zdejmuj plastikowych osłon wewnątrz dwóch stref. Utrzymują one odpowiednią wilgotność.
- ▶ Owoce wrażliwe na zimno, takie jak ananas, awokado, banany, grejpfruty, i warzywa takie jak ziemniaki, bakłażany, fasola, ogórki, cukinia i pomidory oraz ser nie powinny być przechowywane w tych dwóch szufladach.



Zdemontowane półki w drzwiach

Półki na drzwiach można zdemontować w celu czyszczenia: Połóż dłonie po obu stronach półki, podnieś ją do góry (1) i wyciągnij (2).

W celu ponownego zamontowania półek powyższe czynności wykonuje się w odwrotnej kolejności.

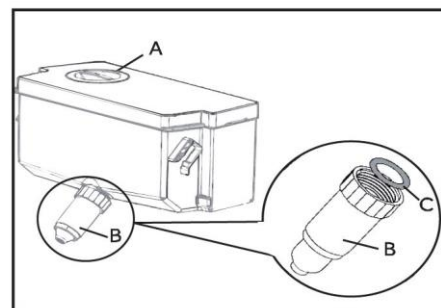


Wymowany zbiornik na wodę

Zbiornik na wodę można wyjąć do czyszczenia i ponownie włożyć w ten sam sposób, jak półki na drzwiach.

Włóż zbiornik na wodę

Umieść zbiornik na wodę w takiej pozycji, aby wylot wody (B) pasował do otworu w drzwiach. Upewnij się, że zbiornik na wodę został zablokowany.



Uwaga: Zbiornik na wodę

Upewnij się, że dziobek jest mocno przykręcony do zbiornika na wodę, a biały pierścień O-ring (C) jest na swoim miejscu.

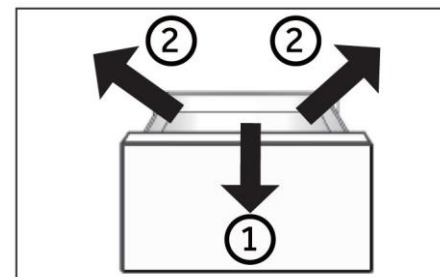
Jeśli zbiornik na wodę nie jest założony prawidłowo, woda może kapać z przyłącza.

Nie używaj nadmiernej siły przy wyjmowaniu lub zakładaniu zbiornika na wodę, aby uniknąć jego uszkodzenia.

Wymowana szuflada zamrażarki

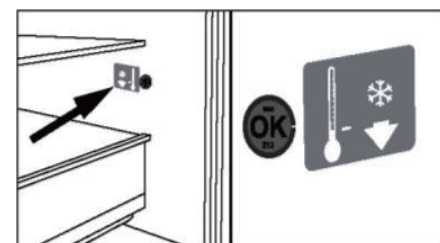
Aby wyjąć szufladę, wyciągnij ją maksymalnie (1), podnieś i wyjmij (2).

W celu ponownego włożenia szuflady powyższe czynności wykonuje się w odwrotnej kolejności.



OPTIONAL: OK-temperature indicator

The OK-temperature indicator can be used to determine temperatures below +4°C. Gradually reduce the temperature if the sign does not indicate OK".



Światło

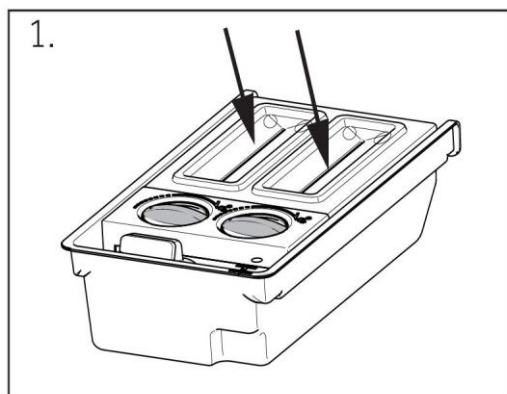
Oświetlenie wewnętrzne LED zapala się po otwarciu drzwi i gaśnie automatycznie, jeśli drzwi pozostaną otwarte przez ponad 7 minut. Na działanie świateł nie ma wpływu żadne z pozostałych ustawień urządzenia.



Wskazówki dotyczące oszczędzania energii

- ▶ Upewnij się, że urządzenie jest właściwie wentylowane (patrz MONTAŻ).
- ▶ Nie należy instalować urządzenia w bezpośrednim świetle słonecznym lub w pobliżu źródeł ciepła (np. pieców, grzejników).
- ▶ Unikaj niepotrzebnie niskiej temperatury w urządzeniu. Zużycie energii zwiększa się wraz z ustawieniem niższej temperatury w urządzeniu.
- ▶ Funkcje takie jak Super-Freeze zwiększają zużycie energii.
- ▶ Przed włożeniem ciepłej żywności do urządzenia należy poczekać, aż ostygnie.
- ▶ Otwieraj drzwi możliwie rzadko i na krótko.
- ▶ Nie przepelniaj urządzenia, aby nie blokować przepływu powietrza.
- ▶ Unikaj powietrza w opakowaniu z żywnością.
- ▶ Utrzymuj w czystości uszczelki drzwi, aby zapewnić prawidłowe ich zamykanie.
- ▶ Rozmrażaj mrożoną żywność w komorze chłodziarki.
- ▶ Najbardziej energooszczędna konfiguracja wymaga, aby pojemniki i półki były umieszczone w urządzeniu jak w stanie fabrycznym, a żywność powinna być rozmieszczona w taki sposób, aby nie blokowała wylotu kanału wentylacyjnego.

Robienie kostek lodu

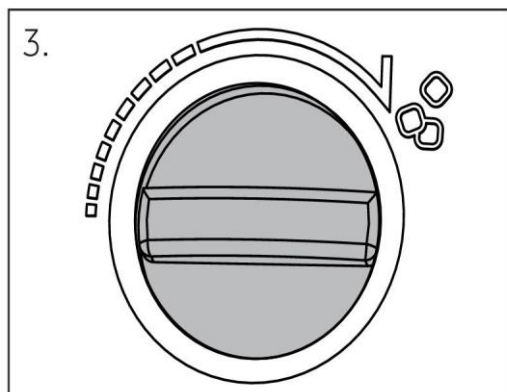


1. Wlej świeżą wodę pitną do każdej chłodziarki zgodnie z oznaczeniem skali wewnątrz miarki, nie przekraczaj oznaczenia na skali



Uwaga:

Nie wlewaj wody pomiędzy 2 przyciski, bo przyciski mogą zamarznąć i kostki lodu nie będą mogły spaść do pojemnika.



2. Włóż pudełko do komory zamrażarki.
3. Gdy woda stanie się lodem, wyjmij kostkarkę z urządzenia i obróć ręcznie przycisk. Następnie bloki lodu automatycznie wpadną do chłodziarki. Zdejmij pokrywę i sięgnij po kostki lodu.



OSTRZEŻENIE!

Przed czyszczeniem odłącz urządzenie od zasilania sieciowego.

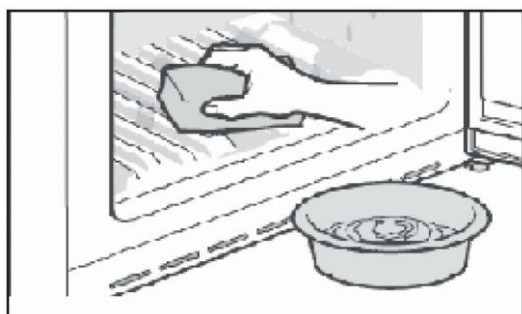
Czyszczenie

Urządzenie należy czyścić, gdy przechowywana jest niewielka ilość żywności lub nie ma jej wcale. Urządzenie powinno być czyszczone co cztery tygodnie, aby zapewnić dobrą konserwację i zapobiec nieprzyjemnym zapachom przechowywanej żywności.



OSTRZEŻENIE!

- ▶ Nie czyść urządzenia za pomocą twardych szczotek, szczotek drucianych, detergentów proszkowych, benzyny, octanu amylu, acetonu i podobnych roztworów organicznych, kwasu lub roztworów alkalicznych. Do czyszczenia należy używać specjalnego detergentu do chłodziarek, aby uniknąć uszkodzenia.
- ▶ Nie używaj aerozolu ani nie przepłukuj urządzenia podczas czyszczenia.
- ▶ Nie używaj wody lub pary do czyszczenia urządzenia.
- ▶ Nie czyść zimnych szklanych półek gorącą wodą. Nagła zmiana temperatury może spowodować pęknięcie szkła.
- ▶ Nie dotykaj wnętrza komory, zwłaszcza mokrymi rękami, ponieważ mogą one przymarznąć do jej powierzchni.
- ▶ W przypadku zwiększenia temperatury sprawdzić stan zamrożonych produktów.

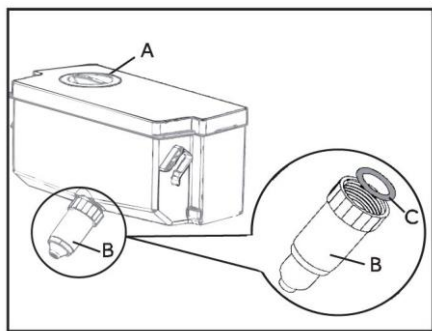


- ▶ Uszczelka drzwi powinna być zawsze utrzymywana w czystości.
 - ▶ Czyść wnętrze i obudowę urządzenia gąbką zanurzoną w ciepłej wodzie i neutralnym detergentem.
1. Czyścić wnętrze i zewnętrzną część chłodziarki, w tym uszczelnienie drzwi, stojak na drzwi, szklane półki, pudełka itd., miękkim ręcznikiem lub gąbką zanurzoną w ciepłej wodzie (można dodać neutralny detergent do ciepłej wody).
 2. W przypadku rozlania płynu usunąć wszystkie zanieczyszczone części, bezpośrednio spłukać bieżącą wodą, osuszyć i włożyć z powrotem do chłodziarki.
 3. W przypadku rozlanego kremu (np. śmietany, topniejących lodów), należy wyjąć wszystkie zanieczyszczone części, włożyć je na chwilę do ciepłej wody o temperaturze ok. 40°C, następnie spłukać bieżącą wodą, osuszyć i włożyć z powrotem do chłodziarki.
 4. W przypadku, gdy jakaś mała część lub element dostanie się do wnętrza chłodziarki (pomiędzy półki lub szuflady), użyć małego miękkiego pędzelka, aby go wyciągnąć. Jeśli nie udało się dotrzeć do tego elementu, prosimy o kontakt z serwisem Haier
- ▶ Spłucz i wysusz miękką ściereczką.
 - ▶ Nie należy myć żadnych części urządzenia w zmywarce do naczyń.
 - ▶ Odczekaj co najmniej 5 minut przed ponownym uruchomieniem urządzenia, ponieważ częste uruchamianie może uszkodzić sprężarkę.

Rozmrażanie

Rozmrażanie chłodziarki i zamrażarki przebiega automatycznie; nie jest wymagana ręczna obsługa.

Czyszczenie zbiornika na wodę



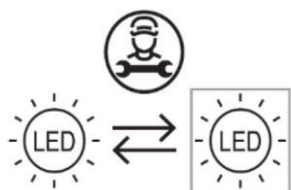
1. Wyjmij zbiornik na wodę z urządzenia
2. Zdejmij pokrywę (A).
3. Odkręć dziobek dozownika (B).
4. Wyczyść zbiornik i dziobek dozownika ciepłą wodą i płynem do mycia naczyń. Upewnij się, że całe mydło zostało spłukane.
5. Zamontuj dozownik (B) i upewnij się, że jest dobrze przykręcony do zbiornika na wodę, a biały O-ring (C) jest na swoim miejscu.
6. Zamknij pokrywę (A) i wymień zbiornik wewnątrz urządzenia.



Uwaga: Zbiornik na wodę

Jeśli zbiornik na wodę nie jest założony prawidłowo, woda może kapać z przyłącza. Nie używaj nadmiernej siły przy wyjmowaniu lub zakładaniu zbiornika na wodę, aby uniknąć uszkodzenia.

Wymiana lampek LED



Wymianę źródła światła (tylko LED) może przeprowadzać wyłącznie fachowiec

Ten produkt zawiera źródło światła o klasie efektywności energetycznej G

Komora	Napięcie	Maksymalna moc	Klasa efektywności energetycznej	Model
Chłodziarka	DC 12V	5 W	G	HCW58F18EWMP

Dłuższa przerwa w użytkowaniu

Jeżeli urządzenie nie będzie używane przez dłuższy czas i będzie wykorzystywana tylko funkcja Holiday lub funkcji wyłączenia chłodziarki, to:

- ▶ Wyjmij żywność.
- ▶ Odłącz przewód zasilający.
- ▶ Opróżnij i wyczyść zbiornik wody
- ▶ Wyczyść urządzenie jak opisano powyżej.
- ▶ Zostaw drzwi otwarte, aby zapobiec tworzeniu się wewnątrz nieprzyjemnych zapachów.



Uwaga

Wyłącz urządzenie tylko wtedy, gdy jest to absolutnie konieczne.

Przenoszenie urządzenia

1. Wyjmij wszystkie produkty spożywcze i odłącz urządzenie od zasilania.
2. Zabezpiecz taśmą klejącą półki i inne ruchome części w zamrażarce.
3. Nie przechylaj chłodziarki pod kątem większym niż 45°, aby uniknąć uszkodzenia układu chłodniczego.

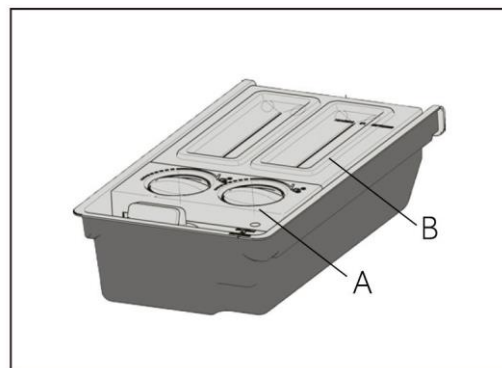


OSTRZEŻENIE!

- ▶ Nie podnoś urządzenia za klamki.
- ▶ Nigdy nie należy ustawiać urządzenia poziomo na ziemi.

Czyszczenie kostkarki do lodu

1. Wyjmij kostkarkę do lodu z urządzenia.
2. Zdejmij pokrywę (A) i (B).
3. Kostkarkę do lodu należy czyścić ciepłą wodą i płynem do mycia naczyń. Upewnij się, że całe mydło zostało spłukane.
4. Zamknij pokrywy, napełnij wodą pitną i włóż kostkarkę do lodu wewnątrz urządzenia.



Wiele problemów można rozwiązać samodzielnie, bez specjalistycznej wiedzy. W przypadku problemów prosimy sprawdzić wszystkie pokazane możliwości i postępować zgodnie z poniższymi instrukcjami przed skontaktowaniem się z obsługą posprzedażową. Zob. OBSŁUGA KLIENTA.



OSTRZEŻENIE!

- ▶ Przed przystąpieniem do konserwacji wyłącz urządzenie i wyjmij wtyczkę z gniazdka sieciowego.
- ▶ Urządzenie elektryczne powinno być serwisowane tylko przez wykwalifikowanych ekspertów, ponieważ niewłaściwe naprawy mogą spowodować znaczne szkody.
- ▶ Jeśli kabel zasilania jest uszkodzony, musi on zostać wymieniony przez producenta, serwisanta lub inną wykwalifikowaną osobę w celu uniknięcia niebezpieczeństwa.

Problem	Potencjalna przyczyna	Możliwe rozwiązanie
Sprężarka nie działa.	<ul style="list-style-type: none"> • Wtyczka sieciowa nie jest podłączona do gniazdka. • Urządzenie znajduje się w cyklu rozmrażania 	<ul style="list-style-type: none"> • Podłącz wtyczkę sieciową. • Jest to normalne w przypadku automatycznego odszraniania
Urządzenie działa często lub przez zbyt długi okres czasu.	<ul style="list-style-type: none"> • Temperatura wewnątrz i na zewnątrz urządzenia jest za wysoka. • Urządzenie było odłączone od zasilania przez jakiś okres czasu. • Drzwi urządzenia nie są szczelnie zamknięte. • Drzwi były za często otwierane lub pozostawały długo otwarte. • Ustawienie temperatury w komorze zamrażarki jest zbyt niskie. • Uszczelki drzwi są zabrudzone, zużyte, pęknięte lub niedopasowane. • Wymagany przepływ powietrza nie jest gwarantowany. 	<ul style="list-style-type: none"> • W tym przypadku to normalne, że urządzenie będzie pracować dłużej. • Całkowite schłodzenie urządzenia trwa zazwyczaj od 8 do 12 godzin. • Zamknij drzwi i upewnij się, że urządzenie jest ustawione na płaskiej powierzchni i jedzenie lub pojemniki nie blokują drzwi. • Nie otwieraj drzwi/szuflad zbyt często. • Ustaw wyższą temperaturę, aż do uzyskania zadowalającej temperatury w chłodziarce. Temperatura chłodziarki ustabilizuje się po 24 godzinach. • Wyczyść uszczelki drzwi/szuflady lub wymień je z pomocą serwisu obsługi klienta. • Zapewnij odpowiednią wentylację.
Wnętrze chłodziarki jest brudne i/lub nieprzyjemnie pachnie.	<ul style="list-style-type: none"> • Wnętrze chłodziarki wymaga czyszczenia. • W chłodziarce przechowywana jest żywność o intensywnym zapachu. 	<ul style="list-style-type: none"> • Wyczyść wnętrze chłodziarki. • Dokładnie owiń żywność.
Wewnątrz urządzenia nie jest wystarczająco zimno.	<ul style="list-style-type: none"> • Ustawiona temperatura jest za wysoka. • Była przechowywana zbyt ciepła żywność. • W chłodziarce umieszczono zbyt dużą ilość żywności. 	<ul style="list-style-type: none"> • Ponownie ustaw temperaturę. • Zawsze schładzaj żywność przed jej przechowywaniem. • Zawsze przechowuj małe ilości żywności.

Problem	Potencjalna przyczyna	Możliwe rozwiązanie
	<ul style="list-style-type: none"> Żywność jest zbyt blisko siebie. Drzwi/szuflada urządzenia nie są szczelnie zamknięte. Drzwi/szuflad były za często otwierane lub pozostawały długo otwarte. 	<ul style="list-style-type: none"> Pozostawić przerwę między produktami spożywczymi, umożliwiając przepływ powietrza. Zamknij drzwi/szufladę. Nie otwieraj drzwi/szuflad zbyt często.
Wewnątrz urządzenia jest za zimne.	<ul style="list-style-type: none"> Temperatura jest za niska. Funkcja Super-Frz/Super-Cool jest włączona lub działa zbyt długo. 	<ul style="list-style-type: none"> Ponownie ustaw temperaturę. Wyłącz funkcję Super-Frz/Super-Cool
Powstawanie wilgoci na wewnętrznych ściankach komory.	<ul style="list-style-type: none"> Klimat jest zbyt ciepły i zbyt wilgotny. Drzwi/szuflada urządzenia nie są szczelnie zamknięte. Drzwi/szuflad były za często otwierane lub pozostawały długo otwarte. Pojemniki na żywność lub płyny są otwarte. 	<ul style="list-style-type: none"> Zwiększ temperaturę. Zamknij drzwi/szufladę. Nie otwieraj drzwi/szuflad zbyt często. Pozostaw gorącą żywność do ostygnięcia do temperatury pokojowej i przykryj żywność oraz płyny.
Wilgoć gromadzi się na zewnętrznej powierzchni chłodziarki lub między drzwiami a szufladą.	<ul style="list-style-type: none"> Klimat jest zbyt ciepły i wilgotny. Drzwi nie są szczelnie zamknięte. Zimne powietrze skrapla się wewnątrz urządzenia, a ciepłe powietrze na zewnątrz. 	<ul style="list-style-type: none"> Jest to normalne zjawisko w wilgotnym klimacie i zmieni się, gdy wilgotność spadnie. Upewnij się, że drzwi/szuflada są szczelnie zamknięte.
Nadmierny lód i szron w komorze zamrażarki.	<ul style="list-style-type: none"> Artykuły spożywcze nie zostały odpowiednio zapakowane. Drzwi/szuflada urządzenia nie są szczelnie zamknięte. Drzwi/szuflad były za często otwierane lub pozostawały długo otwarte. Uszczelki drzwi/szuflady są brudne, zużyte, pęknięte lub niedopasowane. Coś wewnątrz uniemożliwia prawidłowe zamknięcie drzwi/szuflady. 	<ul style="list-style-type: none"> Zawsze właściwie zapakuj artykuły spożywcze. Zamknij drzwi/szufladę. Nie otwieraj drzwi/szuflad zbyt często. Wyczyść uszczelki drzwi lub wymień je na nowe. Ponownie umieść półki, półki na drzwi lub pojemniki wewnętrzne, aby umożliwić zamknięcie drzwi/szuflady.
Boki obudowy i listwa drzwiowa nagrzewają się.	<ul style="list-style-type: none"> - 	<ul style="list-style-type: none"> To normalne.
Urządzenie wydaje dziwne dźwięki.	<ul style="list-style-type: none"> Urządzenie nie znajduje się na wypoziomowanym podłożu. Urządzenie dotyka jakiegoś obiektu. 	<ul style="list-style-type: none"> Wyreguluj nóżki, aby wypoziomować urządzenie. Usuń obiekty znajdujące się w pobliżu urządzenia.

Problem	Potencjalna przyczyna	Możliwe rozwiązanie
Słysząc delikatny szum podobny do płynącej wody.	• -	• To normalne.
Usłyszysz sygnał alarmowy.	• Drzwi komory chłodziarki są otwarte.	• Zamknij drzwi.
Usłyszysz słaby szum.	• Układ antykondensacyjny działa	• Zapobiega to kondensacji i jest normalne
Oświetlenie wnętrza lub układ chłodzenia nie działa.	<ul style="list-style-type: none"> • Wtyczka sieciowa nie jest podłączona do gniazdka. • Zasilanie nie jest w dobrym stanie. • Lampa LED nie działa. 	<ul style="list-style-type: none"> • Podłącz wtyczkę sieciową. • Sprawdź zasilanie elektryczne w pomieszczeniu. Skontaktuj się z lokalnym dostawcą energii elektrycznej! • Wezwij serwis w celu wymiany lampki.

Aby skontaktować się z pomocą techniczną, odwiedź naszą stronę internetową:

<https://corporate.haier-europe.com/en/>

W sekcji „Strona internetowa” wybierz markę swojego produktu i kraj. Zostaniesz przekierowany/a na konkretną stronę internetową, na której znajdziesz numer telefonu i formularz do kontaktu z pomocą techniczną.

Przerwa w zasilaniu

W przypadku przerwy w dostawie prądu żywność powinna zachować bezpieczną temperaturę przez około 5 godzin. Podczas dłuższej przerwy w dostawie prądu, zwłaszcza latem, należy stosować się do poniższych wskazówek:

- ▶ Unikaj częstego otwierania drzwi/szuflady.
- ▶ Nie wkładaj do urządzenia dodatkowej żywności podczas przerwy w dostawie prądu.
- ▶ Jeśli przerwa w dostawie prądu została zgłoszona z wyprzedzeniem i trwa dłużej niż 5 godzin, należy przygotować trochę lodu i umieścić go w pojemniku w górnej części komory chłodziarki.
- ▶ Kontrola towaru jest wymagana niezwłocznie po przerwie.
- ▶ Ponieważ temperatura w chłodziarce wzrośnie podczas przerwy w zasilaniu lub innej awarii, okres przechowywania i jadalna jakość żywności ulegną skróceniu. Każda żywność, która się rozmraża, powinna zostać spożyta lub ugotowana i ponownie zamrożona (w stosownych przypadkach) wkrótce po tym, aby zapobiec zagrożeniom dla zdrowia.

Funkcja pamięci podczas przerwy w zasilaniu

Po przywróceniu zasilania urządzenie kontynuuje ustawienia ustawione przed awarią zasilania.

Rozpakowanie



OSTRZEŻENIE!

- ▶ Urządzenie jest ciężkie. Prace powinny być wykonywane przez co najmniej dwie osoby.
- ▶ Wszystkie materiały opakowaniowe należy przechowywać poza zasięgiem dzieci i utylizować w sposób przyjazny dla środowiska.
- ▶ Wyjmij urządzenie z opakowania.
- ▶ Usuń całe opakowanie.

Warunki środowiskowe

Temperatura w pomieszczeniu powinna zawsze wynosić od 10°C do 43°C, ponieważ może wpływać na temperaturę wewnątrz urządzenia i zużycie energii. Nie ustawiaj urządzenia w pobliżu innych urządzeń bez izolacji emitujących ciepło (piekarniki, chłodziarki).

Wymagana przestrzeń

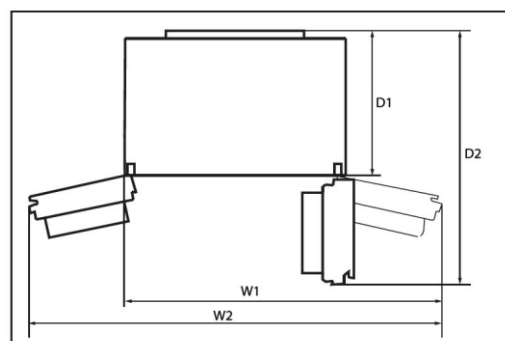
Wymagana przestrzeń przy otwarciu drzwi:

W1=1076 mm

W2=1360 mm

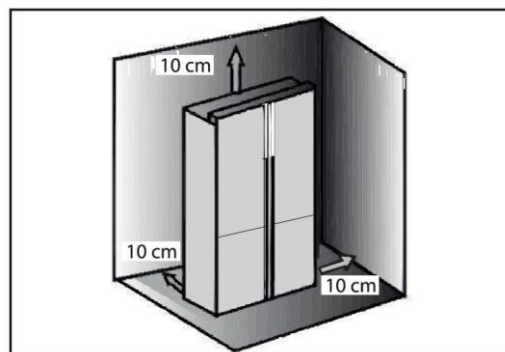
D1=628 mm

D2=1064mm



Przekrój przewodu wentylacyjnego

Aby zapewnić wystarczającą wentylację urządzenia ze względów bezpieczeństwa, należy przestrzegać informacji o wymaganych przekrojach wentylacji.

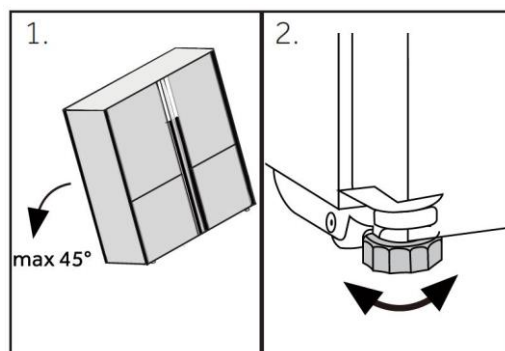


Ustawianie urządzenia

Urządzenie powinno być umieszczone na płaskiej i stabilnej powierzchni.

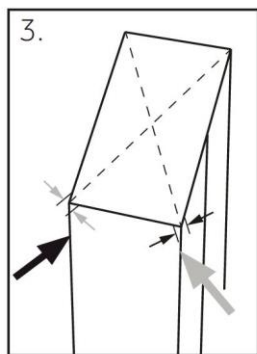
1. Odchyl chłodziarkę lekko do tyłu.
2. Ustaw nóżki na żądanym poziomie.

Upewnij się, że odległość od ściany po stronie zawiasu wynosi co najmniej 10 cm, aby drzwi mogły się prawidłowo otworzyć.

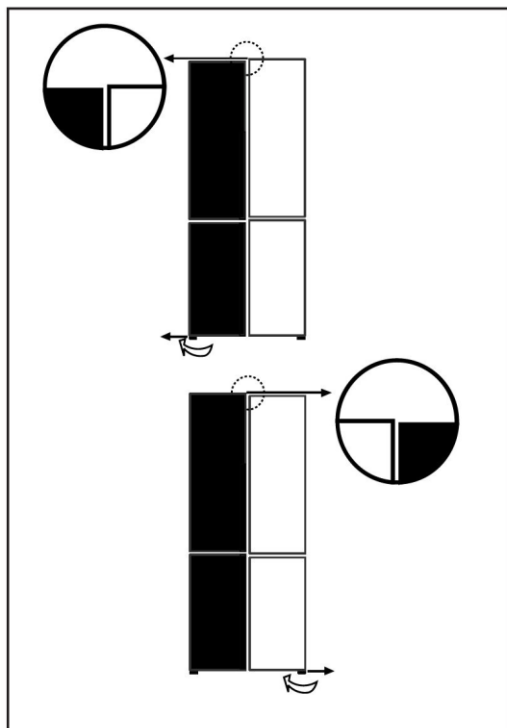


Uwaga:

Dotyczy urządzenia wolnostojącego: To urządzenie chłodnicze nie jest przeznaczone do zabudowy



1. Stabilność można sprawdzić, popychając urządzenie naprzemiennie w linii przekątnych. Lekkie kołysanie powinno być takie same w obu kierunkach. W przeciwnym razie rama może się wykrzywić; w rezultacie może dojść do rozszczelnienia drzwi. Niewielki przechył do tyłu pomaga przy zamykaniu drzwi.



Regulowanie drzwi

Jeśli drzwi nie znajdują się na jednym poziomie, tę niezgodność można usunąć, wykonując następujące czynności:

Korzystanie z regulowanej nóżki

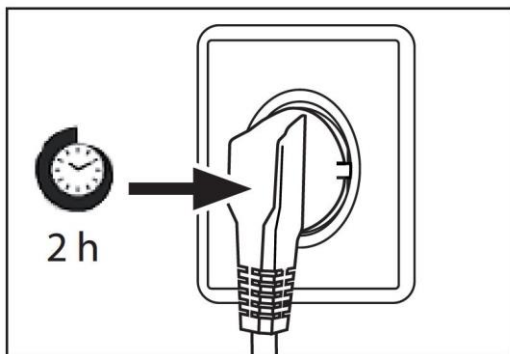
Obrócić regulowaną nóżkę zgodnie z kierunkiem strzałki, aby podnieść lub opuścić nóżkę.

W razie potrzeby skontaktuj się z obsługą posprzedażną.



Uwaga:

W przyszłym użytkowaniu chłodziarki może wystąpić zjawisko nierówności drzwi w stosunku do wagi przechowywanej żywności. Należy je wyregulować zgodnie z powyższymi metodami.



Czas oczekiwania

W zbiorniku sprężarki znajduje się olej bezobsługowy. Olej ten może przedostać się poprzez zamknięty system rur podczas transportu w pozycji przechylonej. Przed podłączeniem urządzenia do zasilania trzeba odczekać co najmniej 2 godziny, aby olej spłynął z powrotem do zbiornika.

Podłączenie do prądu

Przed każdym podłączeniem sprawdź, czy:

- ▶ zasilacz, gniazdo i bezpieczniki odpowiadają parametrom podanym na tabliczce znamionowej.
- ▶ gniazdko jest uziemione i nie zastosowano rozgałęźnika lub przedłużacza.
- ▶ wtyczka i gniazdko są ściśle zgodne.


Podłącz wtyczkę do prawidłowo zainstalowanego gniazdka domowego.



OSTRZEŻENIE!

Aby uniknąć ryzyka, uszkodzony przewód zasilający musi zostać wymieniony przez serwis (zob. karta gwarancyjna).

Karta produktu zgodnie z rozporządzeniem UE nr 2019/2016

Marka	Haier
Nazwa modelu / identyfikator	HCW58F18EWMP
Kategoria modelu	Chłodziarko-zamrażarka
Klasa efektywności energetycznej	E
Roczne zużycie energii (kWh/rok)(1)	297
Całkowita pojemność (l)	507
Pojemność chłodziarki (l)	321
Pojemność zamrażarki (l)	87
Komora o zmiennej objętości (l)	99
Oznakowanie gwiazdkami	
Temperatura pozostałych komór > 14°C	Nie dotyczy
System bez szronu	Tak
Wydajność zamrażania (kg/24h)	6
Klasyfikacja klimatyczna (2)	SN-N-ST
Klasa emisji hałasu i emisja hałasu akustycznego w powietrzu (db(A) re 1pW)	C (38)
Czas wzrostu temperatury (h)	9
Rodzaj konstrukcji	wolnostojąca
Inne	-

Objaśnienie:

• Tak, wyróżnione

(1) Na podstawie wyników badania zgodności norm w ciągu 24 godzin. Rzeczywiste zużycie zależy od użytkownika i lokalizacji urządzenia.

(2) Klasa klimatyczna SN: To urządzenie jest przeznaczone do użytku w temperaturze otoczenia od +10°C do +32°C

Klasa klimatyczna N: To urządzenie jest przeznaczone do użytku w temperaturze otoczenia od +16°C do +32°C

Klasa klimatyczna ST: To urządzenie jest przeznaczone do użytku w temperaturze otoczenia od +16°C do +38°C

Klasa klimatyczna T: To urządzenie jest przeznaczone do użytku w temperaturze otoczenia od +16°C do +43°C

Dodatkowe dane techniczne

Napięcie / Częstotliwość	220-240V ~/50Hz
Natężenie wejściowe (A)	1,5
Bezpiecznik główny (A)	16
Płyn chłodzący	R600a
Wymiary (wys./szer./gł. w mm)	1775 / 830 / 705

Polecamy nasz system Obsługi Klienta Haier i stosowanie oryginalnych części zamiennych. Jeśli masz problem z urządzeniem, najpierw sprawdź sekcję ROZWIĄZYWANIE PROBLEMÓW.

Jeżeli nie możesz znaleźć rozwiązania, prosimy o

- ▶ kontakt z lokalnym sprzedawcą lub
- ▶ naszym Europejskim Centrum Obsługi Klienta (zob. poniżej wymienione numery telefonów) lub
- ▶ obszarem serwisu i wsparcia na stronie www.haier.com, gdzie można aktywować zgłoszenie serwisowe i znaleźć odpowiedzi na najczęściej zadawane pytania.

Zanim skontaktujesz się z naszym działem obsługi, upewnij się, że masz następujące dane. Informacje można znaleźć na tabliczce znamionowej.

Model _____

Nr seryjny _____

Sprawdź także kartę gwarancyjną dostarczoną z produktem.

Europejskie Centrum Obsługi Klienta		
Kraj*	Numer telefonu	Koszty
Haier Italy (IT)	199 100 912	
Haier Spain (ES)	902 509 123	
Haier Germany (DE)	0180 5 39 39 99	<ul style="list-style-type: none"> • 14 centów/min. telefon stacjonarny • maks. 42 centów/min. telefon komórkowy
Haier Austria (AT)	0820 001 205	<ul style="list-style-type: none"> • 14,53 centów/min. (telefon stacjonarny) • maks. 20 centów/min. wszystkie pozostałe
Haier United Kingdom (UK)	0333 003 8122	
Haier France (FR)	0980 406 409	

* Numery innych krajów można znaleźć na stronie www.haier.com

Haier Europe Trading S.r.l
Oddział Wielka Brytania
Westgate House, Westgate, Ealing
Londyn, W5 1YY

*Okres gwarancji na urządzenie chłodnicze:

Minimalna gwarancja wynosi: 2 lata dla krajów UE, 3 lata dla Turcji, 1 rok dla Wielkiej Brytanii, 1 rok dla Rosji, 3 lata dla Szwecji, 2 lata dla Serbii, 5 lat dla Norwegii, 1 rok dla Maroka, 6 miesięcy dla Algierii, w Tunezji nie jest wymagana gwarancja prawna.

*Okres dla części zamiennych do naprawy urządzenia:

Termostaty, czujniki temperatury, płytki drukowane i źródła światła są dostępne przez okres co najmniej siedem lat od wprowadzenia na rynek ostatniego egzemplarza modelu.

Klamki, zawiasy drzwi, tace i kosze przez okres co najmniej siedem lat, a uszczelki drzwi przez okres co najmniej 10 lat od wprowadzenia na rynek ostatniego egzemplarza modelu.

*Aby uzyskać więcej informacji o produkcie, odwiedź stronę internetową <https://eprel.ec.europe.eu/> lub zeskanuj kod QR na etykiecie wydajności energetycznej dołączonej do urządzenia.

2022 Wersja B

Haier Smart Home Co.,Ltd.
No.1 Haier Road,Haier Industry Park,Hi-Tech Zone,
266103 Qingdao,Shandong,China
MADE IN CHINA

Haier



0060535245



Manual do Utilizador

Frigorífico-Congelador

HCW58F18EWMP

PT

Haier

Obrigado por comprar um produto Haier.

Leia atentamente estas instruções antes de utilizar este aparelho. As instruções contêm informações importantes que irão ajudá-lo a obter o melhor proveito do aparelho e garantir a instalação, o uso e a manutenção seguros e adequados.

Mantenha este manual num local conveniente para que o possa sempre consultar para uma utilização segura e adequada do aparelho.

Se vender, oferecer ou deixar ficar o aparelho, caso mude de casa, certifique-se de que entrega também este manual para que o novo proprietário se possa familiarizar com o aparelho e os avisos de segurança.

Legenda



Aviso - Informação importante de segurança



Informações gerais e dicas



Informação ambiental

Eliminação



Ajude a proteger o ambiente e a saúde humana. Coloque a embalagem em recipientes adequados para reciclagem. Ajude a reciclar resíduos de aparelhos elétricos e eletrónicos. Não elimine os aparelhos identificados com este símbolo com o lixo doméstico. Entregue o produto na sua unidade de reciclagem local ou entre em contacto com seu gabinete municipal.



AVISO!

Risco de lesão ou sufocação!

Os refrigerantes e os gases devem ser eliminados de forma profissional. Certifique-se de que os tubos do circuito refrigerante não estão danificados antes de serem devidamente eliminados. Desligue o aparelho da alimentação elétrica. Corte o cabo de alimentação de rede e elimine-o. Remova as bandejas e gavetas, bem como a pega e vedantes da porta, para evitar que crianças e animais de estimação se fechem no interior do aparelho.

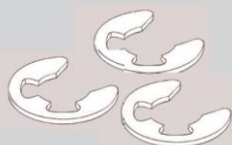
Informações de segurança	4
Descrição do produto	10
Painel de controlo.....	11
Utilização	12
Equipamento	26
Cuidados e limpeza	29
Resolução de problemas	32
Instalação	35
Dados técnicos	38
Assistência ao cliente	40

Acessórios

Verifique os acessórios e a literatura de acordo com esta lista:



Máquina de fazer gelo com colher para gelo



3 espaçadores



Etiqueta energética



Cartão de garantia



Autocolante Manual do Utilizador "OK"

Nota: Apenas para o modelo HCW58F18EWMP

Antes de ligar o aparelho pela primeira vez, leia as seguintes dicas de segurança!:



AVISO!

Antes da primeira utilização

- ▶ Certifique-se de que não há danos provocados pelo transporte.
- ▶ Remova todas as embalagens e mantenha-as fora do alcance das crianças.
- ▶ Aguarde no mínimo duas horas antes de instalar o aparelho, de forma a garantir que o circuito refrigerante está com eficiência total.
- ▶ Manuseie o aparelho sempre com pelo menos duas pessoas porque é pesado.

Instalação

- ▶ O aparelho deve ser colocado num local bem ventilado. Certifique-se de que existe um espaço de, pelo menos, 10 cm por cima e ao redor do aparelho.
- ▶ Nunca coloque o aparelho numa área húmida ou num local onde possa ser salpicado com água. Limpe e seque as salpicos de água e manchas com um pano macio limpo.
- ▶ Não instale o aparelho sob luz solar direta ou na proximidade de fontes de calor (por exemplo, fogões, aquecedores).
- ▶ Instale e nivele o aparelho numa área adequada para o seu tamanho e utilização.
- ▶ **AVISO:** Mantenha as aberturas de ventilação no aparelho ou na estrutura embutida livres de obstruções.
- ▶ Certifique-se de que as informações elétricas na placa de classificação correspondem à fonte de alimentação. Se não, entre em contato com um electricista.
- ▶ O aparelho é operado por uma fonte de alimentação de 220-240 VAC/ 50 Hz. Uma flutuação da tensão anormal pode fazer com que o aparelho não ligue ou danifique o controlo da temperatura ou o compressor, ou pode haver um ruído anormal durante o funcionamento. Nesse caso, deve ser montado um regulador automático.
- ▶ Não use adaptadores de fichas múltiplas nem cabos de extensão.
- ▶ **AVISO:** Não coloque tomadas triplas múltiplas portáteis ou fontes de alimentação portáteis na parte traseira do aparelho.
- ▶ **AVISO:** Ao posicionar o aparelho, certifique-se de que o cabo de alimentação não se encontra preso nem danificado.
- ▶ Não pise o cabo de alimentação.
- ▶ Use uma tomada de terra separada para a fonte de alimentação que seja fácil de aceder. Este aparelho deve ser ligado à terra.

**AVISO!**

- ▶ **Apenas para o Reino Unido:** O cabo de alimentação do aparelho está equipado com uma ficha de 3 cabos (terra) que se encaixa numa tomada standard de 3 cabos (ligada à terra). Nunca corte ou desmonte o terceiro pino (terra). Após a instalação do aparelho, a tomada deve ficar acessível.
- ▶ **AVISO:** Não danifique o circuito refrigerante.

Utilização diária

- ▶ Este aparelho pode ser utilizado por crianças de idade igual ou superior a 8 anos e por pessoas com capacidades físicas, sensoriais ou mentais reduzidas ou falta de experiência e conhecimento, caso lhes tenha sido fornecida supervisão ou instruções relativas à utilização do aparelho de forma segura e desde que compreendam os perigos envolvidos.
- ▶ As crianças não devem brincar com o aparelho.
- ▶ As crianças de 3 a 8 anos são autorizadas a carregar e descarregar aparelhos de refrigeração, mas não podem limpar e instalar os aparelhos de refrigeração.
- ▶ Mantenha as crianças com menos de 3 anos de idade afastadas do aparelho, a menos que estejam constantemente sob supervisão.
- ▶ A limpeza e manutenção pelo utilizador não deve ser realizada por crianças sem supervisão.
- ▶ O aparelho deve ser posicionado de modo a que a ficha fique acessível.
- ▶ Se gás de carvão de outro gás inflamável verter para a proximidade do aparelho, desligue a válvula do gás de fuga, abra as portas e janelas e não desligue o cabo de alimentação do frigorífico/congelador ou de qualquer outro aparelho.
- ▶ Notar que o aparelho está definido para funcionar num intervalo de temperatura ambiente específico entre 10 °C e 38 °C. O aparelho não pode funcionar corretamente se for deixado por um longo período a uma temperatura acima ou abaixo do intervalo indicado.
- ▶ Não coloque artigos instáveis (objetos pesados, recipientes cheios de água) em cima do frigorífico/congelador, para evitar lesões causadas por queda ou choque elétrico causado pelo contato com a água.
- ▶ Não puxe pelas prateleiras da porta. A porta pode inclinar-se, o suporte de garrafas pode sair para fora ou o aparelho pode tombar.
- ▶ Abra e feche a porta apenas pelas pegas. O espaço entre a porta e o armário é muito estreito. Não coloque as mãos nessas áreas para evitar entalar os dedos. Abra ou feche as portas do frigorífico/congelador apenas quando não houver crianças dentro do alcance do movimento das portas.



AVISO!

- ▶ Para evitar a contaminação de alimentos considere as seguintes instruções:
- ▶ – Abrir a porta durante longos períodos provoca um aumento de temperatura significativo nos componentes do aparelho.
- ▶ – Limpar regularmente as superfícies que entram em contacto com alimentos e sistemas de drenagem acessíveis.
- ▶ – Limpar os depósitos de água se não tiverem sido usados durante 48 h; enxague o sistema de água conectado a uma alimentação de água se a água não tiver sido extraída durante 5 dias.
- ▶ – Guarde a carne e o peixe crus em recipientes adequados no frigorífico, de forma a não estarem em contacto nem gotejarem para outros alimentos.
- ▶ – Os compartimentos de comida congelada de duas estrelas são adequados para se guardar alimentos pré-congelados, guardar ou fazer gelado e fazer cubos de gelo.
- ▶ – Os compartimentos de uma, duas ou três estrelas não são adequados para congelar alimentos frescos.
- ▶ – Se o frigorífico for deixado vazio durante períodos longos, desligue, descongele, limpe, seque e deixe a porta aberta para evitar que se forme bolor dentro do aparelho.
- ▶ Nunca guarde cerveja nem refrigerantes engarrafados, líquidos em garrafas ou latas (exceto bebidas alcoólicas) especialmente bebidas gaseificadas no congelador, porque estas rebentam quando congeladas.
- ▶ Não guarde substâncias explosivas como, por exemplo, latas de aerossóis, com um carburante inflamável, no interior deste aparelho.
- ▶ Não guarde medicamentos, bactérias ou agentes químicos no aparelho. Este aparelho é um eletrodoméstico. Não é recomendado armazenar materiais que necessitem de temperaturas rigorosas.
- ▶ Verifique o estado dos alimentos caso ocorra aquecimento no congelador.
- ▶ Não ajuste uma temperatura desnecessariamente baixa no frigorífico. Podem ocorrer temperaturas negativas com altas definições. Atenção: As garrafas podem rebentar
- ▶ Não toque em artigos congelados com as mãos húmidas (use luvas). Especialmente não coma gelados de gelo imediatamente depois de os retirar do congelador. Existe o risco de congelar ou de se formarem bolhas de queimadura por gelo. PRIMEIROS socorros: passar imediatamente por água fria corrente. Não puxe!

**AVISO!**

- ▶ Não toque na superfície interna do compartimento do congelador, quando em funcionamento, especialmente com as mãos molhadas, pois as mãos podem congelar na superfície.
- ▶ Desligue o aparelho em caso de interrupção da energia ou antes da limpeza. Deixe passar pelo menos 7 minutos antes de reiniciar o aparelho, pois o arranque frequente pode danificar o compressor.
- ▶ **AVISO:** Não use aparelhos elétricos no interior dos compartimentos para alimentos do aparelho, a não ser que sejam do tipo recomendado pelo fabricante.

Manutenção/limpeza

- ▶ Certifique-se de que as crianças estão vigiadas caso estejam a realizar a limpeza e manutenção.
- ▶ Desligue o aparelho da alimentação elétrica antes de realizar qualquer manutenção de rotina. Deixe passar pelo menos 5 minutos antes de voltar a ligar o aparelho pois o arranque frequente pode danificar o compressor.
- ▶ Segure a ficha, não o cabo, ao desligar o aparelho.
- ▶ Não limpe o aparelho com escovas duras, escovas de arame, detergente em pó, gasolina, acetato de amilo, acetona e soluções orgânicas semelhantes, soluções ácidas ou alcalinas. Limpe com detergente especial para frigorífico/congelador para evitar danos. No final use água morna e solução de bicarbonato de sódio - cerca de uma colher de sopa de bicarbonato de sódio para um litro de água. Enxaguar abundantemente com água e secar. Não utilize pós de limpeza ou outros produtos de limpeza abrasivos. Não lave as peças removíveis na máquina de lavar loiça.
- ▶ Não raspe o gelo com objetos afiados. Não use sprays, aquecedores elétricos, como secadores de cabelo, dispositivos de limpeza a vapor ou outras fontes de calor, de forma a evitar danos às peças plásticas.
- ▶ **AVISO:** Não utilize dispositivos mecânicos ou outros meios para acelerar o processo de descongelação, que não os recomendados pelo fabricante.
- ▶ Se o cabo de alimentação estiver danificado, tem de ser substituído pelo fabricante, pelo agente de serviço ou por pessoas igualmente qualificadas de forma a evitar o perigo.
- ▶ Não tente reparar, desmontar ou modificar o aparelho sozinho. Em caso de reparação, entre em contato com a nossa assistência ao cliente.
- ▶ Se as luzes de iluminação estiverem danificadas, devem ser substituídas pelo fabricante, pelo seu agente de serviço ou por pessoas qualificadas similares, a fim de evitar riscos.
- ▶ Elimine o pó na parte de trás da unidade pelo menos uma vez no ano para evitar perigo de incêndio, bem como o aumento do consumo de energia.
- ▶ Não pulverize ou lave o aparelho durante a limpeza.



AVISO!

- ▶ Não use spray de água ou vapor para limpar o aparelho.
- ▶ Não lave prateleiras de vidro frias ou a porta de vidro com água quente. A mudança súbita de temperatura pode fazer com que o vidro se quebre.
- ▶ Se deixar de utilizar o seu aparelho durante um período prolongado, deixe-o aberto para evitar odores e cheiros desagradáveis dentro.

Informações sobre gases refrigerantes



AVISO!

O aparelho contém o refrigerante inflamável ISOBUTANO (R600a). Certifique-se de que o circuito refrigerante não fica danificado durante o transporte ou instalação. A fuga de refrigerante pode causar lesões oculares ou inflamações. Se ocorrer um dano, mantenha afastadas fontes de chama aberta, ventile completamente a sala, **não** ligue ou desligue os cabos de alimentação do eletrodoméstico ou de qualquer outro aparelho. Informe a assistência ao cliente.

No caso de os olhos entrarem em contacto com o fluido refrigerante, lave-os imediatamente sob água corrente e contacte imediatamente um oftalmologista.

AVISO: O sistema de refrigeração está sob alta pressão. Não o viole. Uma vez que são utilizados refrigerantes inflamáveis, instale, manuseie e repare o aparelho estritamente de acordo com as instruções e contacte o agente profissional ou o nosso serviço pós-venda para eliminar o aparelho.



AVISO!

Para frigoríficos com função de água gelada, preste atenção ao seguinte aviso:

Para aparelhos que não se destinam a ser ligados ao abastecimento de água:

AVISO: encher apenas com água potável.

Para aparelhos que se destinam a ser ligados ao abastecimento de água:

AVISO: conectar apenas ao abastecimento de água potável.

Se quiser limpar o sistema de água, consulte o Manual do Utilizador. Se tiver alguma dúvida, entre em contato com o serviço pós-venda.

Utilização prevista

Este aparelho destina-se a arrefecer e congelar alimentos. Foi desenhado exclusivamente para uso em aplicações domésticas e semelhantes, como áreas de cozinha para pessoal em lojas, escritórios e outros ambientes de trabalho; casas agrícolas e por clientes em hotéis, motéis e outros ambientes de tipo residencial, bem como em negócios de pousada e de catering. Não se destina a utilização comercial ou industrial.

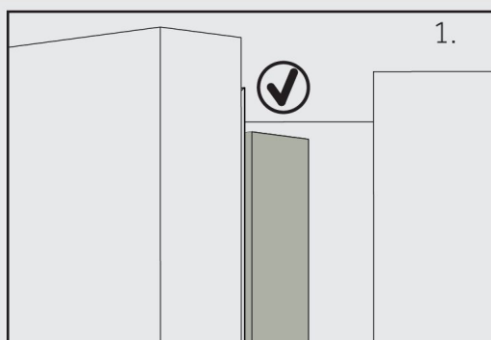
Não são permitidas alterações ou modificações no aparelho. Uma utilização indevida pode causar riscos e perda de reivindicações de garantia.

Normas e diretivas **CE** e **UKCA**

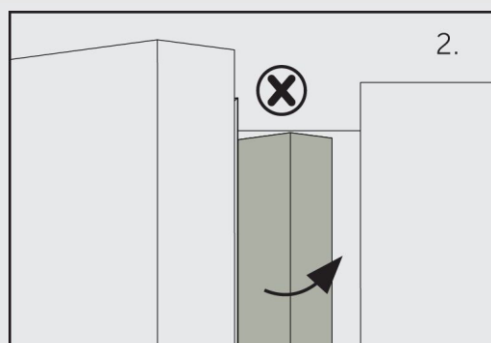
Este produto cumpre os requisitos de todas as diretivas CE aplicáveis com as normas harmonizadas correspondentes e normas UK, que permitem a marcação CE e UKCA.



CUIDADO!



Ao fechar a porta, a tira vertical da porta esquerda no frigorífico deve ficar dobrada para dentro (1).



Se tentar fechar a porta esquerda e a tira vertical da porta não estiver dobrada (2), dobre-a primeiro, caso contrário, a tira da porta irá bater no eixo de fixação ou na porta direita. Isto pode danificar a tira da porta ou provocar uma fuga.

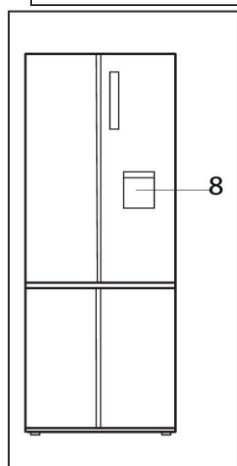
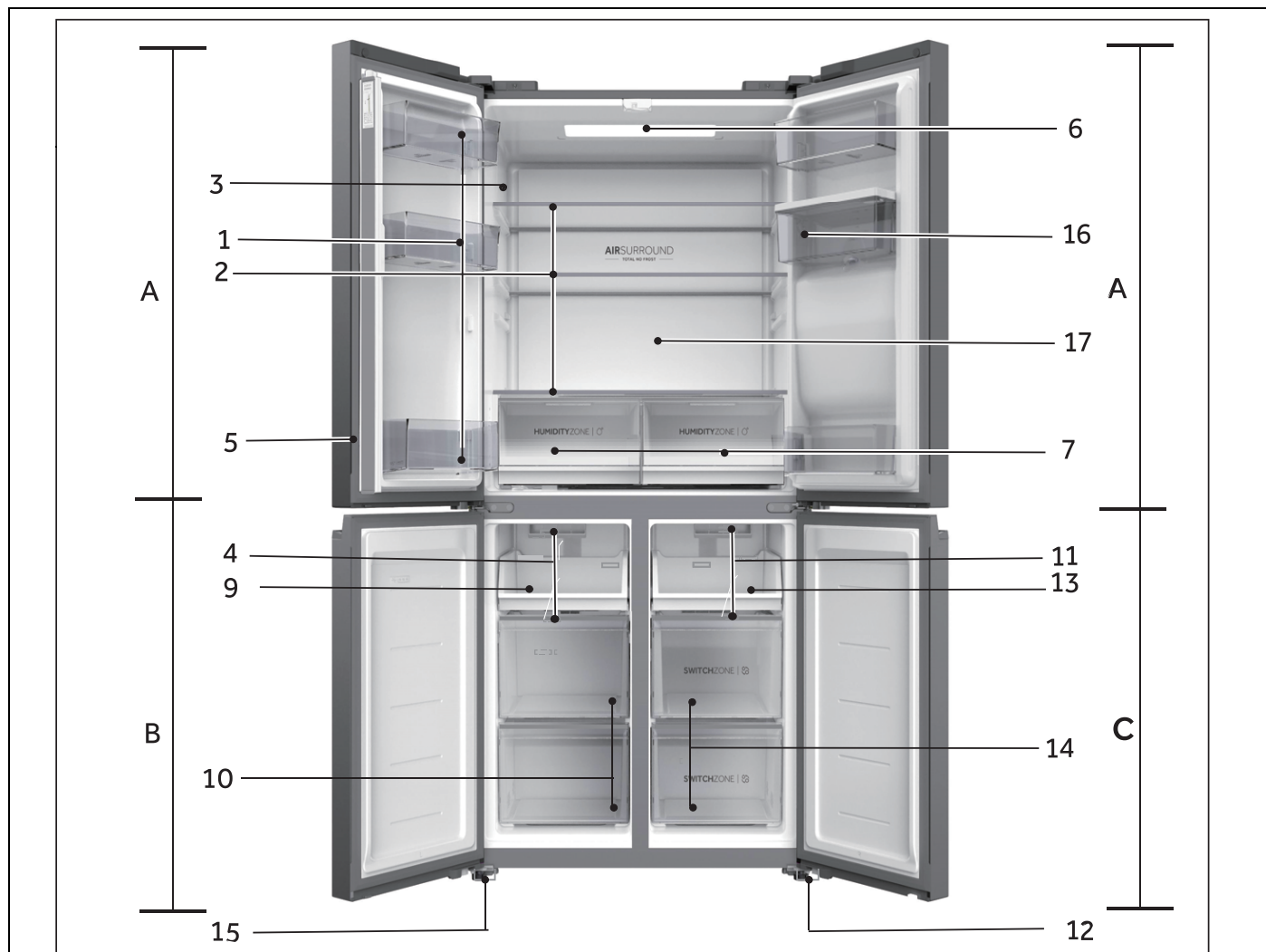
Há um piso de aquecimento dentro da estrutura. A temperatura da superfície subirá um pouco, o que é normal e não afetará a função do aparelho.



Aviso

Devido a alterações técnicas e a modelos diferentes, algumas das ilustrações neste manual podem ser diferentes do seu modelo.

Modelo (HCW58F18EWMP)



A: Compartimento do frigorífico

- 1 Prateleira da porta
- 2 Prateleira do armário
- 3 Placa de classificação
- 5 Tira da porta
- 6 Luz do teto
- 7 Gaveta Humidity zone
- 8 Dispensador de água
- 16 Depósito de água
- 17 Ducto de ar

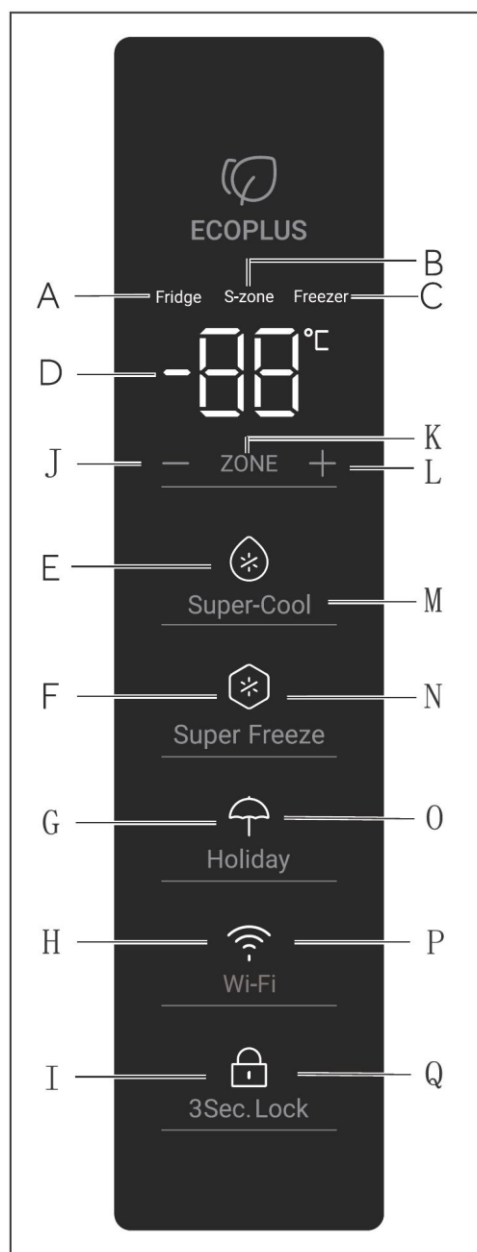
B: Compartimento do congelador

- 4 Conduto de ar
- 9 Tabuleiro de armazenamento
- 10 Gaveta de armazenamento
- 15 Pés ajustáveis

C: Compartimento Switch Zone

- 11 Conduto de ar
- 12 Pés ajustáveis
- 13 Tabuleiro de armazenamento
- 14 Gaveta de armazenamento Switch Zone

Painel de controlo (HCW58F18EWMP)



Indicador:

- A Compartimento do frigorífico
- B Switch Zone
- C Compartimento do congelador
- D Indicação da temperatura
- E Função Super Cool
- F Função Super Freeze
- G Modo Holiday
- H Função Wi-Fi
- I Bloqueio do painel

Botões:

- J Controlo da temperatura "-"
- K Seleção do compartimento
- L Controlo da temperatura "+"
- M Seletor de função Super Cool
- N Seletor de função Super Freeze
- O Seletor do modo Holiday
- P Função Wi-Fi on/off
- Q Seletor de bloqueio do painel

Antes da primeira utilização

- ▶ Remova todos os materiais de embalagem e mantenha fora do alcance das crianças e elimine-os de forma ecológica.
- ▶ Limpe o interior e o exterior do aparelho com água e um detergente suave antes de colocar qualquer alimento no seu interior.
- ▶ Após o aparelho ter sido nivelado e limpo, aguarde pelo menos 2 a 5 horas antes de o ligar à fonte de alimentação. Consulte a secção INSTALAÇÃO.
- ▶ Pré-arrefeça os compartimentos em definições elevadas antes de carregar com alimentos. A função Power-Freeze ajuda a arrefecer rapidamente os compartimentos.
- ▶ A temperatura do frigorífico, a temperatura da Switch Zone e a temperatura do congelador são automaticamente definidas para 5°C, -18° C e -18° C, respetivamente. Estas são as definições recomendadas. Se desejar, pode alterar estas temperaturas manualmente. Ver AJUSTAR A TEMPERATURA.

Botões do sensor

Os botões no painel de controlo são teclas de sensor que respondem logo quando tocadas levemente com o dedo.

Ligar/Desligar o aparelho

O aparelho fica em funcionamento assim que for ligado à corrente elétrica.

Quando o frigorífico é ligado pela primeira vez, o indicador "D" (visor de temperatura) acende-se. A temperatura do frigorífico, a temperatura da Switch Zone e a temperatura do congelador são automaticamente definidas para 5° C, -18° C e -18° C, respetivamente.

Provavelmente o bloqueio do painel está ativo.



Aviso

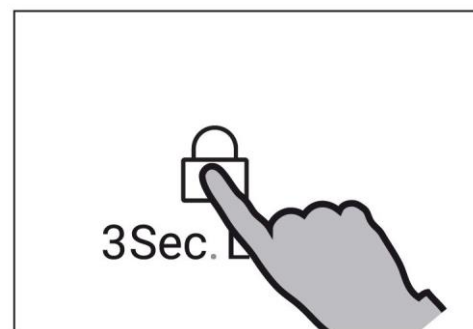
O aparelho está pré-ajustado para a temperatura recomendada de 5°C (frigorífico), -18°C, (Switch Zone) e - 18°C (congelador). Em condições ambientais normais, não precisa de definir uma temperatura.

Quando o aparelho é ligado após a desconexão da fonte de alimentação principal, pode levar até 12 horas para que as temperaturas corretas sejam alcançadas.

Esvazie o aparelho antes de desligar. Para desligar o aparelho, puxe o cabo de alimentação para fora da tomada de alimentação.

Bloquear/desbloquear o painel

A tela de exibição desliga automaticamente 30 segundos após pressionar uma tecla. O visor será bloqueado automaticamente. Acende-se automaticamente ao premir qualquer tecla ou ao abrir qualquer porta.



Aviso

Temperatura do frigorífico, Temperatura da Switch Zone, temperatura do congelador, função Super Cool, função Super Freeze, modo Holiday, função Wi-Fi não podem ser ajustados no estado de bloqueio.

Modo Standby

O visor desliga-se automaticamente 30 segundos após premir um botão. O visor é bloqueado automaticamente. Acende automaticamente, tocando em qualquer tecla ou abrindo a porta. (O alarme não acende o ecrã do visor).

Modo de ajuste manual

Se desejar ajustar manualmente a temperatura do aparelho, pode ajustar a temperatura através de uma tecla (consulte AJUSTAR A TEMPERATURA)

Ajustar a temperatura

As temperaturas interiores são influenciadas pelos seguintes fatores:

- ▶ Temperatura ambiente
- ▶ Frequência de abertura da porta
- ▶ Quantidade de alimentos armazenados
- ▶ Instalação do aparelho

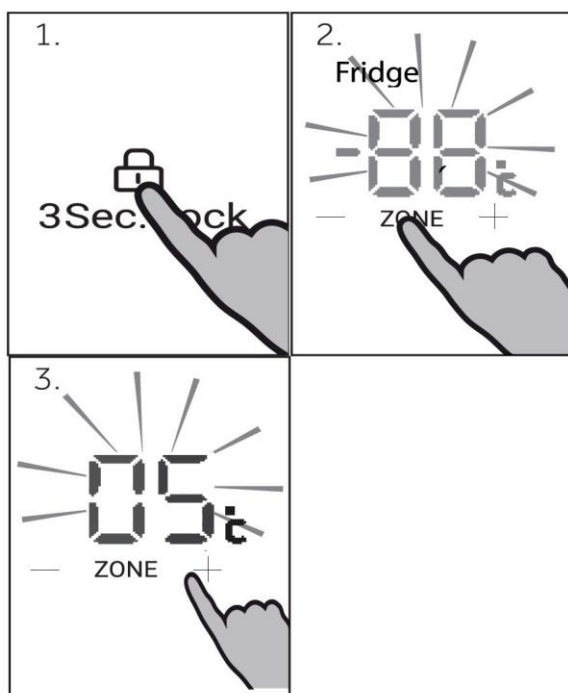
Alarme da porta

O alarme de porta dispara quando a porta se abre durante muito tempo ou não está fechada corretamente, como lembrete.

Ajuste a temperatura para o Frigorífico

Desbloqueie as definições premindo a tecla "Q" durante 3 segundos.

No estado de desbloqueio, prima a tecla "K" (Seleção de Compartimento) para alternar entre compartimentos. Quando o indicador "A" (indicador do compartimento do frigorífico) se acende, prima a tecla "J" (Controlo de temperatura "-" ou tecla "L" Controlo de temperatura "+") para ajustar a temperatura do compartimento do frigorífico. O valor exibido no indicador "D" diminui em 1 °C quando a tecla "J" é premida de cada vez.



O visor pisca e fica fixo com a temperatura definida, em seguida, apaga-se após alguns segundos. Da mesma forma, o valor exibido no indicador "D" aumenta 1 °C quando a tecla "L" é premida de cada vez. O visor pisca e fica fixo com a temperatura definida, em seguida, apaga-se após alguns segundos. A temperatura do compartimento do frigorífico pode ser ajustada entre 1 °C e 9°C com incrementos de 1°C.



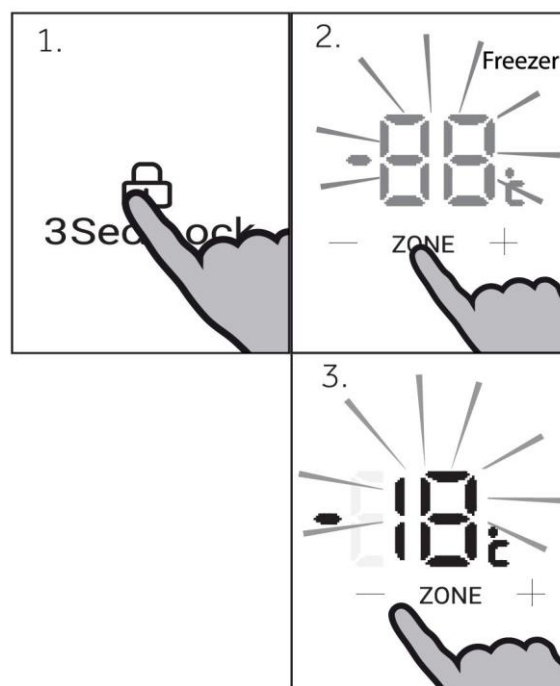
Aviso

A temperatura do frigorífico não pode ser ajustada no estado Super Cool, Holiday e bloqueado.

Ajuste a temperatura para o Congelador

Desbloqueie as definições premindo a tecla "Q" durante 3 segundos.

No estado de desbloqueio, prima a tecla "K" (Seleção de Compartimento) para alternar entre compartimentos. Quando o indicador "A" (indicador do compartimento do congelador) se acende, prima a tecla "J" (Controlo de temperatura "-") ou a tecla "L" (Controlo de temperatura "+") para ajustar a temperatura do compartimento do congelador. O valor exibido no indicador "D" diminui em 1 °C quando a tecla "J" é premida de cada vez. O visor pisca e fica fixo com a temperatura definida, em seguida, apaga-se após alguns segundos. Da mesma forma, o valor exibido no indicador "D" aumenta 1 °C quando a tecla "L" é premida de cada vez. O visor pisca e fica fixo com a temperatura definida, em seguida, apaga-se após alguns segundos. A temperatura do compartimento do congelador pode ser ajustada entre 14 °C e 24 °C com incrementos de 1°C.



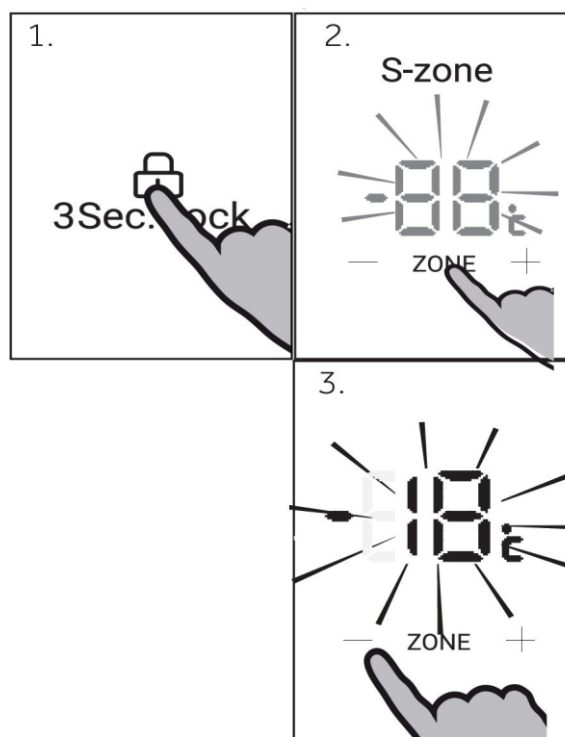
Aviso

A temperatura do congelador não pode ser ajustada no estado Super Freeze e bloqueado.

Ajustar a temperatura da Switch Zone

Desbloqueie as definições premindo a tecla "Q" durante 3 segundos.

No estado de desbloqueio, prima a tecla "K" (Seleção de Compartimento) para alternar entre compartimentos. Quando o indicador "B" (indicador da Switch Zone) se acende, prima a tecla "J" (Controlo de temperatura "-") ou a tecla "L" (Controlo de temperatura "+") para ajustar a temperatura do compartimento da Switch Zone. O valor exibido no indicador "D" diminui em 1 °C quando a tecla "J" é premida de cada vez. O visor pisca e fica fixo com a temperatura definida, em seguida, apaga-se após alguns segundos. Da mesma forma, o valor exibido no indicador "D" aumenta 1 °C quando a tecla "L" é premida de cada vez. O visor pisca e fica fixo com a temperatura definida, em seguida, apaga-se após alguns segundos. A temperatura do compartimento da Switch Zone pode ser ajustada entre 5 °C e 18°C com incrementos de 1°C.



Aviso

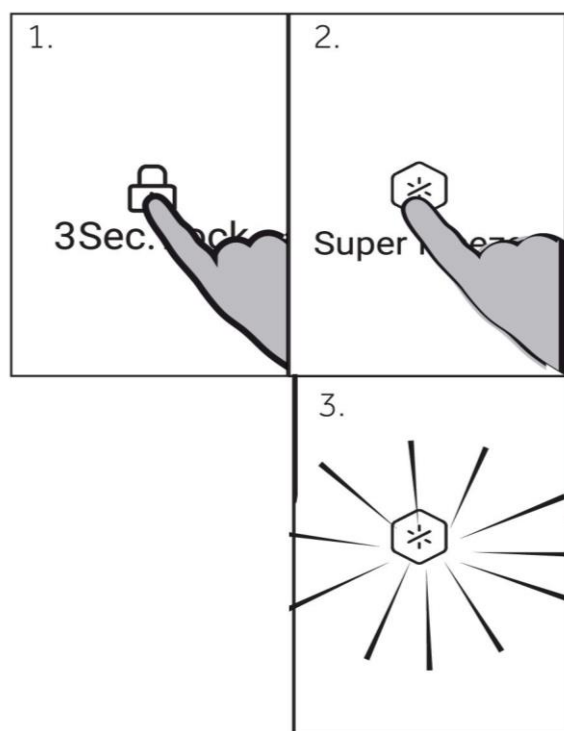
A temperatura da Switch Zone não pode ser ajustada no estado de bloqueio.

Função Super Freeze

A função Super Freeze pode congelar os alimentos frescos o mais rapidamente possível até ao núcleo, acelerando o congelamento para preservar o melhor valor nutricional, aparência e sabor dos alimentos. Se precisar de congelar uma grande quantidade de alimentos de uma vez, recomenda-se definir a função Super Freeze atempadamente 24 horas antes da utilização do compartimento do congelador.

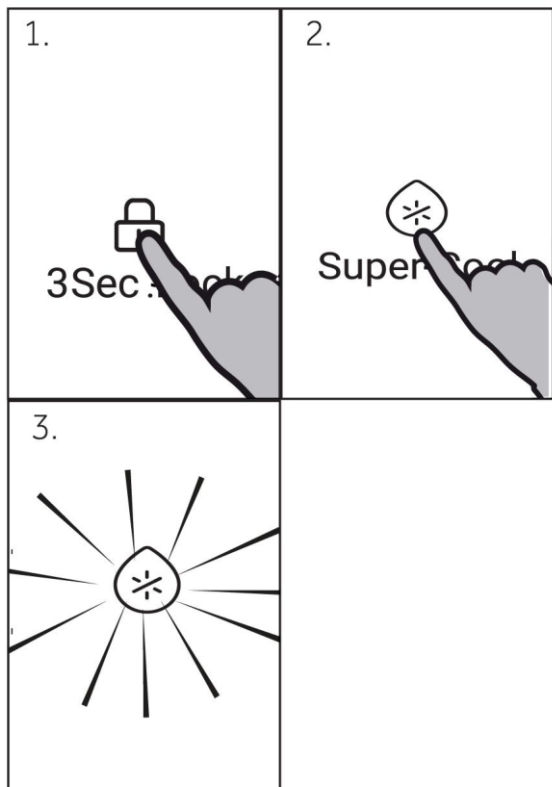
Desbloqueie as definições premindo a tecla "Q" durante 3 segundos.

No estado de desbloqueio, prima a tecla "N" (seletor da função Super Freeze), o indicador "F" (indicador da função Super Freeze) acende, o produto entra no modo Super Freeze. O produto sai automaticamente do modo Super Freeze após 50 horas de ativação. Para sair manualmente do modo Super Freeze, prima a tecla "N" (seletor da função Super Freeze) no estado de desbloqueio, o indicador "F" (indicador da função Super Freeze) apaga-se, o produto sai do modo Super Freeze.



Aviso

No modo Super Freeze, a tecla "J" (Controlo de temperatura "-") e a tecla "L" (Controlo de temperatura "+") ficam bloqueadas quando o compartimento do congelador está selecionado e a temperatura do compartimento do congelador não pode ser ajustada.



Função Super Cool

Depois de colocar os alimentos no compartimento do frigorífico, se quiser arrefecê-los rapidamente, pode ativar a função Super Cool.

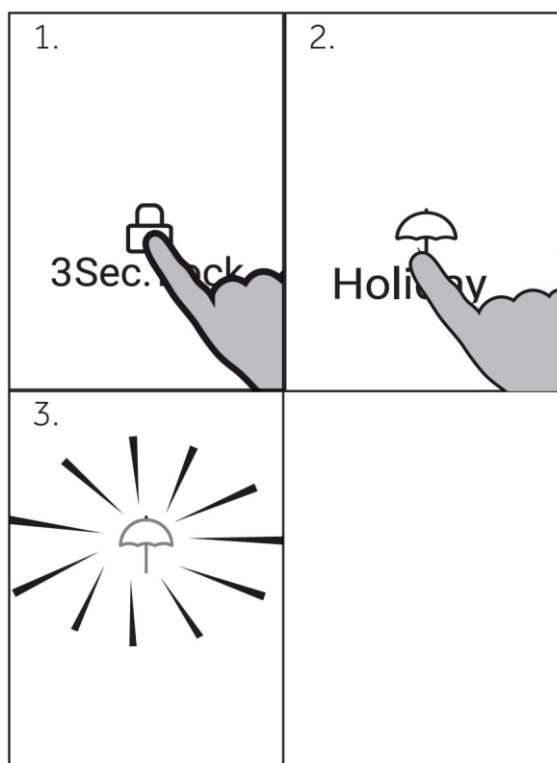
Desbloqueie as definições premindo a tecla "Q" durante 3 segundos.

Em estado de desbloqueio, prima a tecla "M" (Seletor de função Super Cool), o indicador "E" (Indicador da função Super Cool) acende, o produto entra no modo Super Cool. O produto sai automaticamente do modo Super Cool após 6 horas de ativação. Para sair manualmente do modo Super Cool, prima a tecla "M" (seletor de função Super Cool) em estado de desbloqueio, o indicador "E" (indicador da função Super Cool) apaga-se, o produto sai do modo Super Cool.



Aviso

A função Super Cool desativa-se automaticamente quando o modo Holiday é selecionado. No modo Super Cool, a tecla T (Controlo de temperatura "-") e a tecla "L" (Controlo de temperatura "+") ficam bloqueadas quando o compartimento do frigorífico está selecionado e a temperatura do compartimento do frigorífico não pode ser ajustada.



Modo Holiday

No modo Holiday, o compartimento do frigorífico ajusta-se automaticamente para 17° C (para economia de energia), enquanto o compartimento da Switch Zone e o compartimento do congelador funcionam com ajustes normais de temperatura.

Desbloqueie as definições premindo a tecla "Q" durante 3 segundos.

Em estado de desbloqueio, prima a tecla "O" (seletor do modo Holiday), o indicador "G" (indicador do modo Holiday) acende, o produto entra no modo Holiday; para sair, prima a tecla "O" (seletor de modo Holiday), o indicador "G" apaga-se e o produto sai do modo Holiday.



Aviso


O modo Holiday sai automaticamente quando a função Super Cool é ativada.

No modo Holiday, tecla "J" (Controlo de temperatura "-") & tecla "L" (Controlo de temperatura "+") ficam bloqueadas quando o compartimento do frigorífico é selecionado e a temperatura do compartimento do frigorífico não pode ser ajustada.

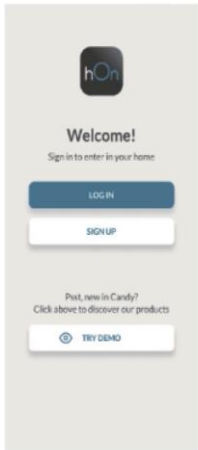
Configuração do modo Wi-Fi

PROCEDIMENTO DE APP PAIRING


Passo 1 • Faça download da aplicação hOn nas lojas



Passo 2 Crie a sua conta na aplicação hOn ou faça login se já tiver uma conta



Passo 3 Siga as instruções de emparelhamento na aplicação hOn



Função Wi-Fi

Se o Wi-Fi ainda não estiver configurado, quando o frigorífico é ligado pela primeira vez, entra automaticamente no modo de configuração e mantém esse estado durante 30 minutos.

O ícone Wi-Fi "H" pisca rapidamente e o registo do produto pode começar.

1. Siga as instruções da aplicação para configurar o Wi-Fi.
2. Logo que o Wi-Fi esteja configurado e a conexão seja estabelecida, o ícone "H" Wi-Fi fica aceso e fixo.
3. Após 30 minutos sem realizar qualquer operação, o Wi-Fi sai automaticamente do modo de configuração.
4. Se o Wi-Fi já estiver configurado, será reconectado automaticamente de acordo com as informações de configuração se ligar o Wi-Fi.



Aviso

1. Este produto não se destina a uso comercial.
2. Frequência de trabalho do transmissor: 2400 MHz ~ 2483,5 MHz
3. Potência máxima de saída do transmissor: 20dBm

**Aviso**

1. Para desligar o Wi-Fi, prima a tecla Wi-Fi "P" e o ícone Wi-Fi "H" desliga-se.
2. Para ativar o Wi-Fi e iniciar a configuração, prima a tecla Wi-Fi "P" e o ícone Wi-Fi "H" começa a piscar lentamente. Se quiser desligar a função Wi-Fi, prima uma vez a tecla "P", uma vez. Se quiser configurar a função Wi-Fi, prima a tecla "P" durante 3 segundos, mas menos de 20 segundos, um sinal acústico é emitido, o ícone Wi-Fi pisca rapidamente e entra no modo de configuração. Os passos acima são repetidos.
3. se o produto estiver configurado e a função Wi-Fi tiver sido desligada, o frigorífico não entrará no modo de configuração assim que for novamente conectado à energia elétrica.
4. Logo que o Wi-Fi esteja configurado e a conexão seja estabelecida, o ícone "H" Wi-Fi fica aceso e fixo.

Alarme da porta

O alarme de porta dispara quando a porta se abre durante muito tempo ou não está fechada corretamente, como lembrete.

PORTA DO FRIGORÍFICO PARA A ESQUERDA

PORTA DO FRIGORÍFICO PARA A DIREITA

PORTA DO CONGELADOR

PORTA DA SWITCH ZONE

Dispensador de água

Com o doseador de água é possível servir-se de água potável.

O depósito de água deve ser limpo antes da primeira utilização (ver CUIDADO E LIMPEZA).

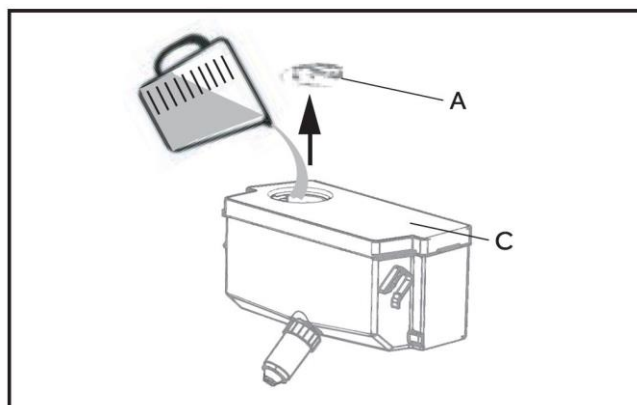
Encher do depósito de água



AVISO!

encher apenas com água potável.

1. Certifique-se de que a água é devidamente inserida (ver EQUIPAMENTO)
2. Rode e levante a tampa redonda (A) e encha o depósito de água com água potável fresca.
3. Encha água apenas até a marca (2.5l), uma vez que pode transbordar quando se abre e fecha a porta.
4. Feche a tampa redonda (A) até encaixar no lugar com um "click".

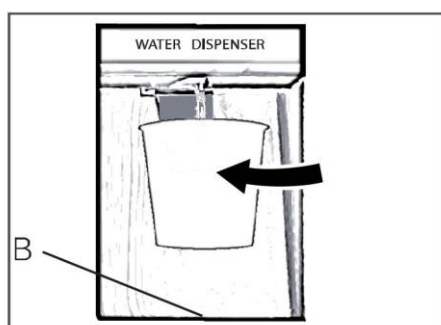


Aviso: Dispensador de água

Antes de voltar a encher, eliminar a água residual e limpar o depósito.

Quando não precisar de água durante um período prolongado, esvazie o depósito de água e insira o depósito limpo.

A tampa (C) no depósito de água é também utilizada para economizar energia. Se não quiser obter água do dispensador de água por um longo período, coloque a tampa no mesmo para melhor isolamento e economia de energia.



Obter água do dispensador

1. Coloque um copo debaixo da saída de água.
2. Empurre a alavanca dispensadora de água suavemente. Certifique-se de que o copo está alinhado com o dispensador para evitar que a água salpique.
3. A água na bandeja (B) deve ser removida a tempo, pois pode transbordar quando a porta se abre e fecha.

Dicas para armazenar alimentos frescos

Guardar no compartimento do frigorífico

- ▶ Mantenha a temperatura do frigorífico inferior a 5°C.
- ▶ Os alimentos quentes devem ser arrefecidos até à temperatura ambiente antes de serem armazenados no aparelho.
- ▶ Os alimentos armazenados no frigorífico devem ser lavados e secos antes de serem armazenados
- ▶ Os alimentos a armazenar devem estar devidamente selados para evitar alterações no aroma ou no sabor.
- ▶ Não guarde quantidades excessivas de alimentos. Deixe espaços entre os alimentos para permitir que o ar frio flua ao seu redor, para um arrefecimento melhor e mais homogéneo.
- ▶ Os alimentos consumidos diariamente devem ser guardados na frente da prateleira.
- ▶ Deixe um espaço entre os alimentos e as paredes internas, permitindo que o ar flua. Em especial, não armazene alimentos contra a parede traseira: os alimentos podem congelar contra a parede traseira. Evite o contacto direto dos alimentos (especialmente os alimentos oleosos ou ácidos) com o revestimento interno, pois o óleo/ácido pode erodir o revestimento interno. Limpe a sujidade oleosa/ácida sempre que for encontrada.
- ▶ Descongele alimentos congelados no frigorífico. Desta forma, pode usar a comida congelada para diminuir a temperatura no compartimento e economizar energia.
- ▶ O processo de envelhecimento da fruta e dos legumes, como curgetes, melões, papaia, banana, abacaxi, etc. pode ser acelerado no frigorífico. Portanto, não é aconselhável armazená-los no frigorífico. No entanto, o amadurecimento de frutas muito verdes pode ser promovido durante um determinado período. Cebolas, alho, gengibre e outros vegetais radiculares também devem ser armazenados à temperatura ambiente.
- ▶ Odores desagradáveis dentro do frigorífico são um sinal de que algo foi derramado e é necessário limpar. Ver CUIDADOS E LIMPEZA.
- ▶ Diferentes alimentos devem ser colocados em diferentes áreas, de acordo com as suas propriedades:



Aviso

Mantenha uma distância superior a 10 mm entre os alimentos colocados e a conduta de ar ou sensores, para garantir o efeito de arrefecimento.



- 1 Manteiga, queijos, etc.
- 2 Ovos, latas, conservas, condimentos, etc.
- 3 Bebidas e alimentos engarrafados.
- 4 Alimentos em conserva, alimentos enlatados, etc.
- 5 Produtos à base de carne, lanches, massas, alimentos enlatados, leite, tofu, laticínios etc.
- 6 Carne cozinhada, salsichas, etc.
- 7 Gaveta Humidity zone: Fruta, legumes, salada, etc.
- 8 Gaveta Humidity zone: Fruta, legumes, salada, etc.

Armazenamento para o compartimento Switch Zone

O compartimento da Switch Zone permite ajustar a temperatura entre -18 °C a 5 °C de acordo com a necessidade de armazenamento de alimentos e fornecer mais flexibilidade nas opções de armazenamento para sua conveniência.

-18°C	Para produtos alimentares congelados em geral, que necessitam de armazenamento entre 1-12 meses.	Carnes, aves, frutos do mar, alimentos pré-cozinhados e sobras, algumas frutas e legumes, gelados e outras sobremesas congeladas.
-7°C	Permite o porcionamento fácil dos alimentos e a capacidade de aquecer, cozinhar ou servir alimentos diretamente do compartimento sem esperar para descongelar.	Carnes, frutos do mar, sopas, molhos, alimentos em puré, pão, sobremesas e doces. Nota: Recomendado para o armazenamento de sobremesas cremosas, como gelados.
0°C	Oferece uma zona de armazenamento perfeita para alimentos altamente perecíveis para garantir que mantêm a sua frescura e qualidade vital.	Carnes altamente perecíveis, aves e frutos do mar. Bebidas alcoólicas, como cerveja.
5°C	O modo ideal para alimentos frescos, como frutas e legumes, produtos lácteos, carnes e bebidas.	Frutas e legumes, produtos lácteos, compotas e chutneys/conservas, carnes e bebidas.

Armazenamento no congelador

- ▶ Mantenha a temperatura do congelador a -18°C .
- ▶ 24 horas antes do congelar, ligue a função Super-freeze; - para pequenas quantidades de alimentos 4-6 horas são suficientes.
- ▶ Os alimentos quentes devem ser arrefecidos até à temperatura ambiente antes de serem armazenados no congelador.
- ▶ Alimentos cortados em pequenas porções irão congelar mais depressa e serão mais fáceis de descongelar e cozinhar. O peso recomendado para cada porção é inferior a 2,5 kg
- ▶ É melhor embalar os alimentos antes de os colocar no congelador. O exterior da embalagem deve estar seco para evitar que os sacos colem. Os materiais de embalagem devem estar isentos de odores, serem herméticos, não serem venenosos nem tóxicos.
- ▶ Para evitar a expiração dos períodos de conservação, tome nota da data de congelamento, do prazo e o nome dos alimentos na embalagem, de acordo com os períodos de armazenamento dos diferentes alimentos.
- ▶ **AVISO!** Ácido, alcalino e sal, etc. podem erodir a superfície interna do congelador. Não coloque alimentos com estas substâncias (p.ex. peixe diretamente do mar) diretamente na superfície interna. A água salgada no congelador deve ser limpa imediatamente.
- ▶ Não exceda o tempo de armazenamento de alimentos recomendado pelos fabricantes. Retire apenas a quantidade necessária de alimentos do congelador.
- ▶ Consuma os alimentos descongelados rapidamente. Os alimentos descongelados não podem voltar a ser congelados, a menos que sejam primeiramente cozinhados.
- ▶ Não coloque quantidades excessivas de alimentos frescos no congelador. Consulte a capacidade de congelação do congelador - Ver DADOS TÉCNICOS ou dados na placa do tipo.
- ▶ Os alimentos podem ser armazenados no congelador a uma temperatura mínima de -18°C durante 2 a 12 meses, dependendo das suas propriedades (por exemplo, carne: 3-12 meses, legumes: 6-12 meses)
- ▶ Quando congelar alimentos frescos, evite pô-los em contato com alimentos já congelados. Risco de descongelamento!

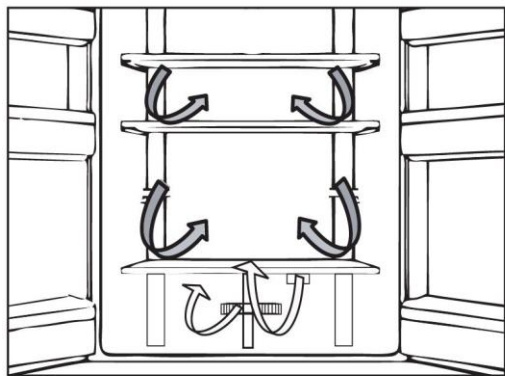
Ao armazenar alimentos congelados comercialmente, siga estas diretrizes:

- ▶ Siga sempre as diretrizes dos fabricantes relativas ao período de tempo que deve armazenar alimentos. Não exceda estas diretrizes!
- ▶ Tente manter o tempo entre a compra e o armazenamento o mais curto possível para preservar a qualidade dos alimentos.
- ▶ Compre alimentos congelados que tenham sido armazenados a uma temperatura igual ou inferior a -18°C .
- ▶ Evite comprar alimentos com gelo ou gelo na embalagem - Isto indica que os produtos podem ter sido parcialmente descongelados e congelados em algum momento - a temperatura afeta a qualidade dos alimentos.



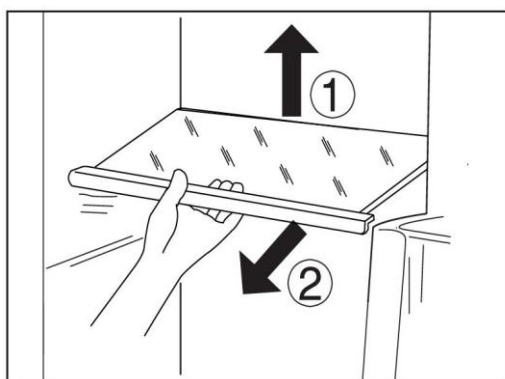
Aviso

- ▶ Mantenha uma distância superior a 10 mm entre os alimentos colocados e o tubo de ar para assegurar o efeito de arrefecimento.



Fluxo de ar múltiplo

O frigorífico está equipado com um sistema de fluxo de ar múltiplo que oferece fluxos de ar frio em cada nível de prateleira. Isso ajuda a manter uma temperatura uniforme para garantir que a sua comida é mantida mais fresca durante mais tempo.



Prateleiras ajustáveis

A altura das prateleiras pode ser ajustada para se adaptar às suas necessidades de armazenamento.

1. Para transferir uma prateleira, remova-a primeiro levantando a sua extremidade traseira (1) e puxando-a para fora (2).
2. Para a reinstalar, coloque-a sobre as patilhas dos dois lados e empurre-a para a posição mais para trás até que a parte traseira da prateleira fique fixa no interior das ranhuras nos lados

i Aviso:

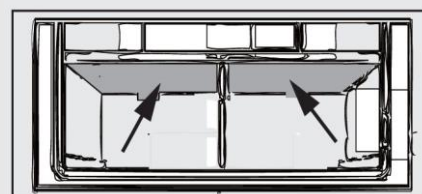
Certifique-se de que todas as extremidades de uma prateleira estão niveladas.

Gaveta Humidity zone

Neste compartimento, o nível de humidade é de cerca de 85%. Este é controlado automaticamente pelo sistema e é adequado para armazenar frutas, legumes, saladas, etc.

i Aviso:

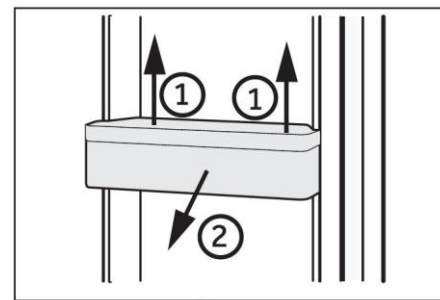
- ▶ Não retire a cobertura plástica dentro das duas zonas. Mantém a humidade.
- ▶ Frutas sensíveis ao frio como ananás, abacate, bananas, toranjas e legumes como batatas, beringelas, feijão, pepinos, abobrinha e tomates e queijos não devem ser armazenados nestas duas gavetas.



Prateleiras amovíveis da porta

As prateleiras da porta podem ser removidas para limpeza: Coloque as mãos de cada lado da prateleira, levante-a para cima (1) e puxe-a para fora (2).

Para inserir a prateleira da porta, deve executar os passos acima na ordem inversa.

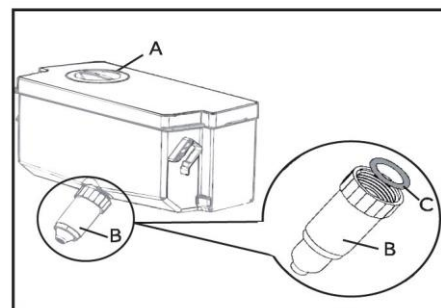


Depósito de água amovível

O depósito de água pode ser removido e reinstalado para limpeza da mesma forma que as prateleiras da porta.

Insira o depósito de água

Coloque o depósito de água na posição em que a saída de água (B) se encaixa na abertura da porta. Certifique-se de que o depósito de água está bloqueado.



Aviso: Depósito de água

Certifique-se de que o ralo está firmemente enroscado no depósito de água e que o anel branco (C) está em posição.

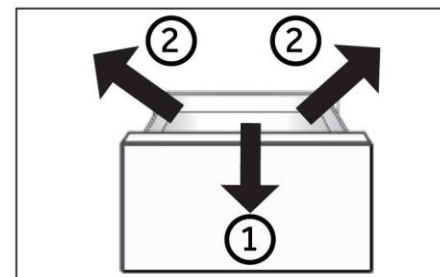
Se o depósito de água não estiver devidamente inserido, pode pingar água da ligação.

Não use força excessiva quando remover ou instalar o depósito de água, para evitar danificar o depósito.

Gaveta do congelador amovível

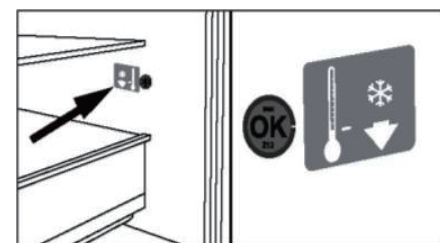
Para remover a gaveta, puxe até à extensão máxima (1), levante e remova (2).

Para inserir a gaveta, os passos acima são executados em ordem inversa.



OPCIONAL: Indicador de temperatura OK

O indicador de temperatura OK pode ser usado para determinar temperaturas abaixo de +4°C. Reduza gradualmente a temperatura se o sinal não indicar "OK".



A luz

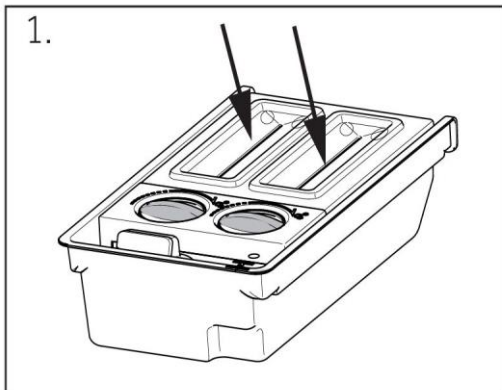
A luz interior LED acende-se quando a porta é aberta e desliga-se automaticamente se a porta for deixada aberta durante mais de 7 minutos. O desempenho das luzes não é afetado por nenhuma das outras definições de aparelhos.



Dicas de poupança de energia

- ▶ Certifique-se de que o aparelho está devidamente ventilado (ver INSTALAÇÃO).
- ▶ Não instale o aparelho sob luz solar direta ou na proximidade de fontes de calor (por exemplo, fogões, aquecedores).
- ▶ Evite temperaturas desnecessariamente baixas no aparelho. O consumo de energia aumenta quanto menor for a temperatura do aparelho.
- ▶ Funções como Super-Freeze consomem mais energia.
- ▶ Deixe os alimentos arrefecer antes de os colocar no aparelho.
- ▶ Abra a porta do aparelho o mínimo e tão brevemente quanto possível.
- ▶ Não encha demasiado o aparelho para evitar obstruir o fluxo de ar.
- ▶ Evite ar dentro das embalagens de alimentos.
- ▶ Mantenha os vedantes da porta limpos para que a porta feche sempre corretamente.
- ▶ Descongele alimentos congelados no frigorífico.
- ▶ A configuração mais economizadora de energia requer que o aparelho mantenha as gavetas, caixa de comida e prateleiras em condições de frescura de fábrica, e os alimentos devem ser colocados tanto quanto possível, sem bloquear a saída de ar da conduta.

Fazer cubos de gelo

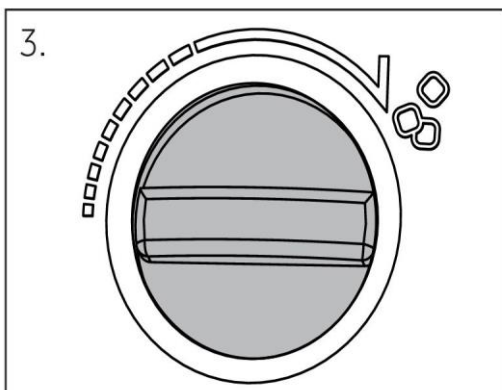


1. Despeje água potável fresca em cada caixa de gelo de acordo com a marca da escala dentro do copo de medição, não exceda a marca de escala



Aviso:

Não ponha água entre os 2 botões, caso contrário os botões podem congelar e os cubos de gelo não podem cair na caixa de armazenamento.



2. Coloque a caixa no compartimento de congelação.
3. Depois de a água se tornar gelo, retire a máquina de gelo do aparelho e rode o botão à mão. Em seguida, os blocos de gelo cairão automaticamente na caixa de gelo. Retire a tampa e recolha os cubos de gelo.

**AVISO!**

Desligue o aparelho da fonte de alimentação antes de limpar.

Limpeza

Limpe o aparelho quando apenas tiver armazenado pouca ou nenhuma comida.

O aparelho deve ser limpo a cada quatro semanas para uma boa manutenção e para evitar maus odores de alimentos armazenados.

**AVISO!**

- ▶ Não limpe o aparelho com escovas duras, escovas de arame, detergente em pó, gasolina, acetato de amilo, acetona e soluções orgânicas semelhantes, soluções ácidas ou alcalinas. Limpe com detergente especial para frigoríficos para evitar danos.
- ▶ Não pulverize ou lave o aparelho durante a limpeza.
- ▶ Não use spray de água ou vapor para limpar o aparelho.
- ▶ Não lave prateleiras de vidro frias com água quente. A mudança súbita de temperatura pode fazer com que o vidro se quebre.
- ▶ Não toque na superfície interna do compartimento do congelador, especialmente com as mãos molhadas, pois as mãos podem congelar na superfície.
- ▶ No caso de aquecimento, verificar a condição das mercadorias congeladas.

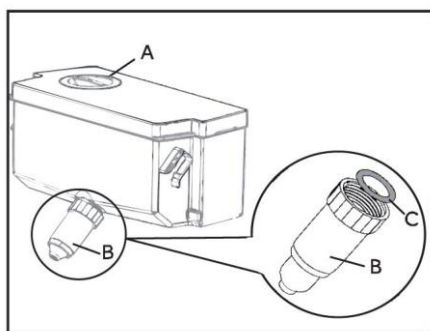


- ▶ Mantenha a junta de vedação da porta sempre limpa.
 - ▶ Limpe o interior e a caixa do aparelho com uma esponja molhada em água morna e detergente neutro.
1. Esfregue o interior e o exterior do frigorífico, incluindo junta de vedação da porta, prateleira da porta, prateleiras de vidro, caixas e assim por diante, com uma toalha macia ou esponja embebida em água morna (pode adicionar-se detergente neutro).
 2. Se houver líquido derramado, remova todas as partes contaminadas, lave-as diretamente com água corrente, seque e coloque novamente no frigorífico.
 3. Se houver derramamento de produtos cremosos (como natas, gelado derretido), remova todas as peças contaminadas, coloque-as em água morna a cerca de 40 °C durante algum tempo, passe por água corrente, seque e volte a colocar no frigorífico.
 4. Caso alguma peça ou componente pequeno entre no interior do frigorífico (entre as prateleiras ou gavetas), use uma pequena escova macia para a liberar. Se não conseguir alcançar a peça, entre em contato com a assistência da Haier
- ▶ Enxague e seque com um pano macio.
 - ▶ Não limpe nenhuma das peças do aparelho numa máquina de lavar loiça.
 - ▶ Deixe passar pelo menos 5 minutos antes de voltar a ligar o aparelho pois o arranque frequente pode danificar o compressor.

Descongelamento

O descongelamento do frigorífico e do congelador é feito automaticamente; sem necessidade de operação manual.

Limpeza do depósito de água



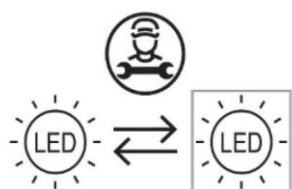
1. Retire o depósito de água do aparelho
2. Retire a tampa (A).
3. Desenrosque o ralo do dispensador (B).
4. Limpe o depósito e o ralo do dispensador com água morna e detergente da loiça líquido. Certifique-se de que todo sabão é enxaguado.
5. Monte o dispensador (B) e tenha cuidado para que fique firmemente enroscado no depósito de água e que o anel branco (C) esteja em posição.
6. Feche a tampa (A) e volte a colocar o reservatório no interior do aparelho.



Aviso: Depósito de água

Se o depósito de água não estiver devidamente inserido, pode pingar água da ligação. Não use força excessiva quando remover ou instalar o depósito de água, para evitar danificar.

Substituir as lâmpadas LED



Fonte de luz substituível (LED apenas) por um profissional

Este produto contém uma fonte de luz de classe de eficiência energética G

compartimento	Tensão	potência máxima	Classe de eficiência energética	Modelo
Frigorífico	DC 12V	5 W	G	HCW58F18EWMP

Não utilizar durante um período maior

Se o aparelho não for utilizado durante um período de tempo prolongado, e se não usar apenas a função Holiday ou a função de desligar o frigorífico:

- ▶ Retire os alimentos.
- ▶ Desligue o cabo de alimentação.
- ▶ Esvazie e limpe o depósito de água
- ▶ Limpe o aparelho conforme descrito acima.
- ▶ Mantenha as portas abertas para evitar a criação de maus odores no interior.

**Aviso**

Desligue o aparelho apenas se estritamente necessário.

Mover o aparelho

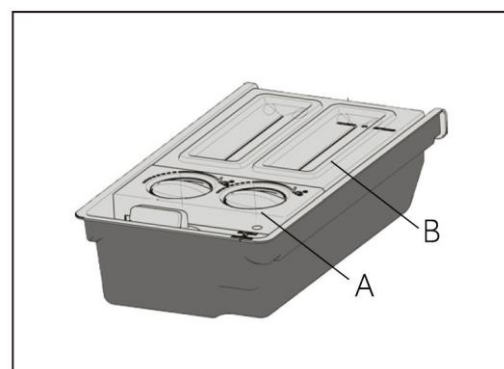
1. Remova todos os alimentos e desligue o aparelho.
2. Fixe as prateleiras e outras peças móveis no frigorífico e no congelador com fita adesiva.
3. Não incline o frigorífico mais de 45° para evitar danificar o sistema de refrigeração.

**AVISO!**

- ▶ Não levante o aparelho pelas suas pegas.
- ▶ Nunca coloque o aparelho na horizontal no chão.

Limpeza da máquina de fazer gelo

1. Retire a máquina de fazer gelo do aparelho.
2. Retire a tampa (A) e (B).
3. Limpe a máquina de fazer gelo com água morna e detergente líquido de lavar louça. Certifique-se de que todo sabão é enxaguado.
4. Feche as tampas, volte a encher com água potável e volte a colocar a máquina de fazer gelo no interior do aparelho.



Muitos problemas que ocorrem podem ser resolvidos por si mesmo sem experiência específica. Em caso de problema, por favor verifique todas as possibilidades apresentadas e siga as instruções abaixo antes de contactar um serviço pós-venda. Consultar a ASSISTÊNCIA AO CLIENTE.



AVISO!

- ▶ Antes da manutenção, desative o aparelho e desligue a ficha da tomada.
- ▶ Os equipamentos elétricos devem ser reparados apenas por eletricistas qualificados, uma vez que reparações inadequadas podem causar danos consequenciais consideráveis.
- ▶ Se o cabo de alimentação estiver danificado, este apenas pode ser substituído pelo fabricante, pelo agente de serviço ou por pessoas igualmente qualificadas de forma a evitar o perigo.

Problema	Causa possível	Possível solução
O compressor não funciona.	<ul style="list-style-type: none"> • A ficha de alimentação não está ligada na tomada de alimentação. • O aparelho está no ciclo de descongelamento 	<ul style="list-style-type: none"> • Ligue a ficha de alimentação. • Isto é normal para um descongelamento automático
O aparelho funciona frequentemente ou funciona por um período de tempo demasiado longo.	<ul style="list-style-type: none"> • A temperatura interior ou exterior é muito alta. • O aparelho foi desligado da alimentação por um período de tempo. • Uma porta do aparelho não está bem fechada. • A porta foi aberta com muita frequência ou por muito tempo. • A definição de temperatura para o congelador é muito baixa. • A junta de vedação da porta está suja, gasta, partida ou desalinhada. • A circulação de ar necessária não é garantida. 	<ul style="list-style-type: none"> • Neste caso, é normal que o aparelho funcione mais tempo. • Normalmente, demora 8 a 12 horas até o aparelho arrefecer completamente. • Feche a porta/gaveta e certifique-se de que o aparelho está localizado num piso plano e de que não existe qualquer alimento ou recipiente a obstruir a porta. • Não abra a porta/gaveta com muita frequência. • Ajuste uma temperatura mais elevada até obter uma temperatura satisfatória do frigorífico. Demora 24 horas até a temperatura do frigorífico se tornar estável. • Limpe a junta de vedação da porta/gaveta ou peça à assistência ao cliente que a substitua. • Assegure uma ventilação adequada.
O interior do frigorífico está sujo e/ou com cheiro.	<ul style="list-style-type: none"> • O interior do frigorífico precisa de ser limpo. • Alimentos com forte odor estão armazenados no frigorífico. 	<ul style="list-style-type: none"> • Limpe o interior do frigorífico. • Embrulhe os alimentos completamente.

Problema	Causa possível	Possível solução
Não está frio o suficiente dentro do aparelho.	<ul style="list-style-type: none"> • A temperatura definida é demasiado alta. • Foram guardados alimentos demasiado quentes. • Foram armazenados demasiados alimentos de uma vez. • Os produtos estão demasiado próximos uns dos outros. • Uma porta/gaveta do aparelho não está bem fechada. • A porta/gaveta foi aberta com muita frequência ou durante muito tempo. 	<ul style="list-style-type: none"> • Repor a temperatura. • Arrefeça os alimentos antes de os guardar. • Guarde sempre pequenas quantidades de alimentos. • Deixe um intervalo entre os vários alimentos permitindo o fluxo de ar. • Feche a porta/gaveta. • Não abra a porta/gaveta com muita frequência.
Está demasiado frio no interior do aparelho.	<ul style="list-style-type: none"> • A temperatura é demasiado baixa. • A função Super-Frz/Super-Cool está ativada ou está a funcionar há demasiado tempo. 	<ul style="list-style-type: none"> • Repor a temperatura. • Desligue a função Super-Frz/Super-Cool
Formação de humidade no interior do compartimento do frigorífico.	<ul style="list-style-type: none"> • O clima é demasiado quente e demasiado húmido. • Uma porta/gaveta do aparelho não está bem fechada. • A porta/gaveta foi aberta com muita frequência ou durante muito tempo. • Recipientes para alimentos ou líquidos foram deixados abertos. 	<ul style="list-style-type: none"> • Aumente a temperatura. • Feche a porta/gaveta. • Não abra a porta/gaveta com muita frequência. • Deixe os alimentos quentes arrefecerem até à temperatura ambiente e cubra os alimentos e líquidos.
A humidade acumula-se nos frigoríficos fora da superfície ou entre as portas/porta e gaveta.	<ul style="list-style-type: none"> • O clima é demasiado quente e demasiado húmido. • A porta não está totalmente fechada. O ar frio no aparelho e o ar quente no exterior condensam. 	<ul style="list-style-type: none"> • Isso é normal num clima húmido e mudará quando a humidade diminuir. • Certifique-se de que a porta/gaveta está bem fechada.
Gelo forte e geada no compartimento do congelador.	<ul style="list-style-type: none"> • Os alimentos não foram devidamente embalados. • Uma porta/gaveta do aparelho não está bem fechada. • A porta/gaveta foi aberta com muita frequência ou durante muito tempo. • A junta de vedação da porta/gaveta está suja, gasta, fissurada ou não é adequada. • Algo no interior está a impedir que a porta/gaveta feche corretamente. 	<ul style="list-style-type: none"> • Embale sempre bem os alimentos. • Feche a porta/gaveta. • Não abra a porta/gaveta com muita frequência. • Limpe a junta de vedação da porta/gaveta ou substitua por novas. • Reposicione as prateleiras, prateleiras das portas ou recipientes internos para permitir que a porta/gaveta feche.

Problema	Causa possível	Possível solução
Os lados do armário e a tira da porta ficam quentes.	• -	• Isto é normal.
O aparelho faz ruídos fora do normal.	<ul style="list-style-type: none"> • O aparelho não está colocado sobre um piso nivelado. • O aparelho toca em algum objeto em seu redor. 	<ul style="list-style-type: none"> • Ajuste os pés para nivelar o aparelho. • Remova objetos em redor do aparelho.
Deve ouvir-se um som leve semelhante ao de água a correr.	• -	• Isto é normal.
Irá ouvir um sinal sonoro de alarme.	• A porta do frigorífico está aberta.	• Feche a porta.
Irá ouvir um som abafado.	• O sistema anti condensação está a funcionar	• Isto impede a condensação e é normal
O sistema de iluminação interior ou de arrefecimento não funciona.	<ul style="list-style-type: none"> • A ficha de alimentação não está ligada na tomada de alimentação. • A fonte de alimentação não está intacta. • A lâmpada LED está avariada. 	<ul style="list-style-type: none"> • Ligue a ficha de alimentação. • Verifique a alimentação elétrica da divisão. Ligue para a companhia de eletricidade local! • Por favor, ligue para a assistência para substituir a lâmpada.

Para contactar a assistência técnica, consulte o nosso website:

<https://corporate.haier-europe.com/en/>

Na seção "website", escolha a marca do seu produto e o seu país. Será redirecionado para o website específico onde pode encontrar o número de telefone e o formulário para contactar a assistência técnica.

Falha de energia

Em caso de falha de energia, os alimentos permanecem arrefecidos de forma segura durante cerca de 5 horas. Siga estas dicas durante uma falha de energia prolongada, especialmente no verão:

- ▶ Abra a porta/gaveta o mínimo de vezes possível.
- ▶ Não coloque mais alimentos no aparelho durante uma falha de energia.
- ▶ Se for dada uma notificação prévia de interrupção da energia e a duração da interrupção for superior a 5 horas, faça algum gelo e coloque-o num recipiente na parte superior do compartimento do frigorífico.
- ▶ É necessária uma inspeção dos alimentos imediatamente após a interrupção.
- ▶ Como a temperatura no frigorífico irá subir durante uma interrupção da energia ou outra falha, o período de armazenamento e a qualidade dos alimentos serão reduzidos. Qualquer alimento que descongele deve ser consumido, cozido e novamente congelado (se for caso disso) imediatamente, a fim de evitar riscos para a saúde.

Função de memória durante a falha de energia

Depois de restabelecida a energia elétrica, o aparelho continua com as definições definidas antes da falha de energia.

Desembalar



AVISO!

- ▶ O aparelho é pesado. Deve ser manuseado sempre por, pelo menos, duas pessoas.
- ▶ Mantenha todos os materiais de embalagem fora do alcance das crianças e elimine-os de forma ecológica.
- ▶ Retire o aparelho da embalagem.
- ▶ Remova todos os materiais de embalagem.

Condições ambientais

A temperatura ambiente deve estar sempre entre 10 °C e 43 °C, uma vez que pode influenciar a temperatura no interior do aparelho e o seu consumo de energia. Não instale o aparelho perto de outros aparelhos emissores de calor (fornos, frigoríficos) sem isolamento.

Requisitos de espaço

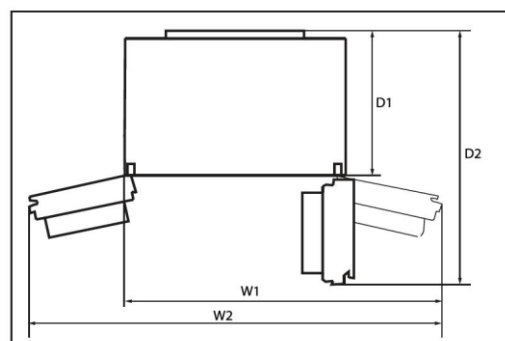
Espaço necessário quando a porta é aberta:

W1=1076 mm

W2=1360 mm

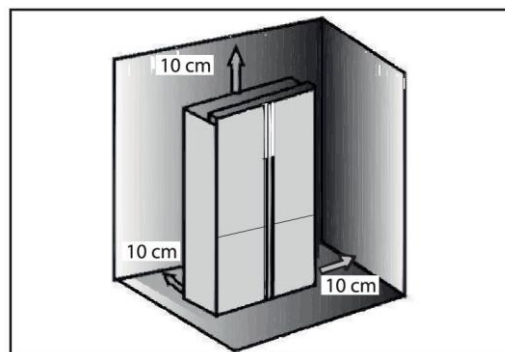
D1=628 mm

D2=1064mm



Ventilação transversal

Para obter uma ventilação suficiente do aparelho por motivos de segurança, deve observar-se a informação das secções de ventilação transversal necessárias.

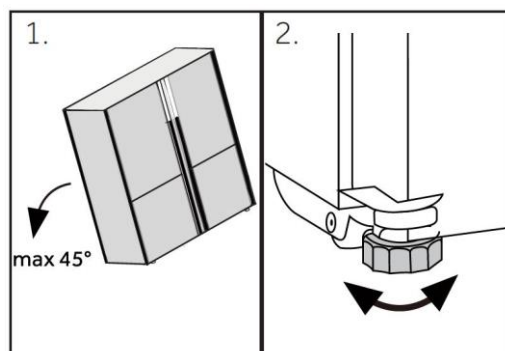


Alinhar o aparelho

O aparelho deve ser colocado sobre uma superfície plana e sólida.

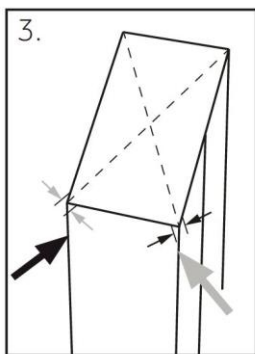
1. Incline o frigorífico ligeiramente para trás.
2. Coloque os pés na altura desejada.

Certifique-se de que a distância à parede do lado da dobradiça é de, pelo menos, 10 cm para que a porta se abra corretamente.

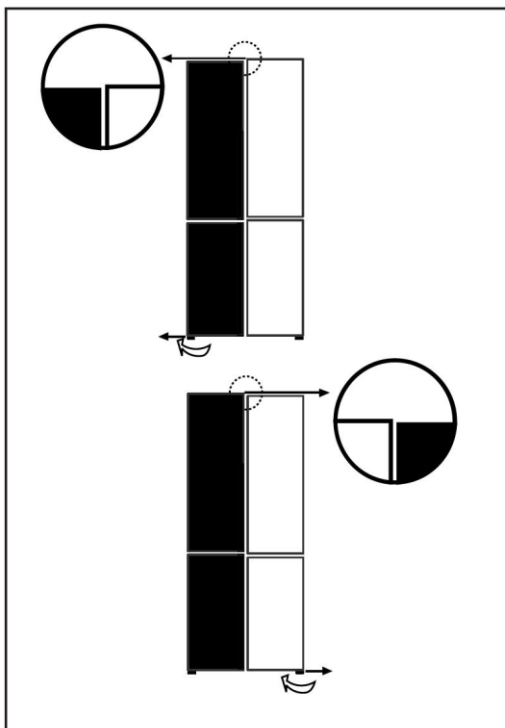


Aviso:

Para um aparelho independente: este frigorífico não se destina a ser utilizado como eletrodoméstico de encastrar



1. A estabilidade pode ser verificada por empurrando alternadamente as diagonais. Uma ligeira oscilação deve ser a mesma em ambas as direções. Caso contrário, a estrutura pode empenar; a consequência pode ser fugas dos vedantes da porta. Uma leve inclinação para a traseira facilita o fecho das portas.



Ajuste fino das portas

Se as portas não estiverem no mesmo nível, esta discrepância pode ser solucionada da seguinte forma:

Utilizando o pé ajustável

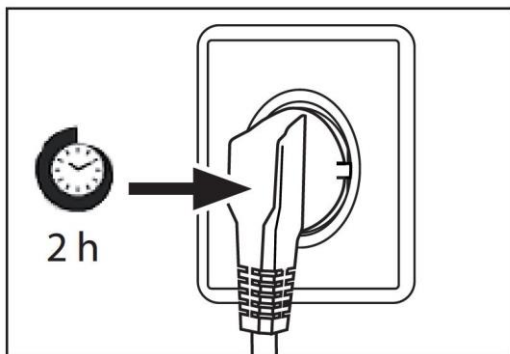
Rode o pé ajustável de acordo com a direção da seta para subir ou descer o pé.

Entre em contato com o serviço pós-venda se necessário.



Aviso:

Quando voltar a utilizar o frigorífico, pode ocorrer um fenómeno de portas desiguais devido ao peso dos alimentos armazenados. Se for esse o caso, ajuste de acordo com os métodos acima.



Tempo de espera

O óleo de lubrificação sem manutenção está localizado na câpsula do compressor. Este óleo pode atravessar o sistema de tubulação fechada durante o transporte inclinado. Antes de ligar o aparelho à fonte de alimentação, tem de esperar pelo menos 2 horas para que o óleo volte à câpsula.

Ligação elétrica

Antes de cada conexão verificar se:

- ▶ a fonte de alimentação, tomada e fusíveis são adequados à placa de classificação.
- ▶ a tomada de alimentação está ligada à terra sem fichas múltiplas nem extensão.
- ▶ a ficha de alimentação e a tomada estão de acordo com as especificações.


Ligue a ficha a uma tomada doméstica instalada corretamente.



AVISO!

Para evitar riscos, um cabo de alimentação danificado deve ser substituído pela assistência ao cliente (ver cartão de garantia).

Ficha de produto de acordo com o Regulamento UE N.º 2019/2016

Marca	Haier
Nome do modelo / identificador	HCW58F18EWMP
Categoria do modelo	Frigorífico-congelador
Classe de eficiência energética	E
Consumo anual de energia (kWh/year)(1)	297
Volume total(L)	507
Volume do frigorífico(L)	321
Volume do congelador(L)	87
Compartimento de temperatura variável do volume(L)	99
Classificação em estrelas	
Temperatura dos outros compartimentos >14 °C	Não aplicável
Sistema Frost-free	Sim
Capacidade de congelação(kg/24h)	6
Classificação climática(2)	SN-N-ST
Classe de emissão de ruído e emissões de ruído aéreo (db(A) re 1pW)	C(38)
Tempo de subida da temperatura (h)	9
Tipo de aparelho	instalação independente
Outros	-

Explicações:

• Sim, existe

- (1) Com base nos resultados do teste de conformidade das normas ao longo de 24 horas. O consumo real depende da utilização e da localização do aparelho.
- (2) Classificação climática SN: Este aparelho destina-se a ser utilizado a uma temperatura ambiente compreendida entre + 10°C e +32°C
Classificação climática N: Este aparelho destina-se a ser utilizado a uma temperatura ambiente compreendida entre + 16°C e +32°C
Classificação climática ST: Este aparelho destina-se a ser utilizado a uma temperatura ambiente compreendida entre + 16°C e +38°C
Classificação climática T: Este aparelho destina-se a ser utilizado a uma temperatura ambiente compreendida entre + 16°C e +43°C

Dados técnicos adicionais

Tensão/Frequência	220-240V ~/50Hz
Corrente de entrada (A)	1,5
Fusível principal (A)	16
Líquido de refrigeração	R600a
Dimensões (A/L/P em mm)	1775 / 830 / 705

Recomendamos o nosso Serviço de Assistência ao Cliente da Haier e a utilização de peças de reposição originais.

Se tiver algum problema com o seu aparelho, consulte primeiro a secção RESOLUÇÃO DE PROBLEMAS.

Se não conseguir encontrar uma solução nesta secção, entre em contacto

- ▶ com o seu revendedor local ou
- ▶ o nosso Serviço de Assistência Europeu (veja números de telefone listados abaixo) ou
- ▶ a área de Serviço e Suporte em www.haier.com onde pode ativar a reclamação de serviço e também encontrar FAQs.

Para contactar a nossa Assistência, certifique-se de que tem os seguintes dados disponíveis. As informações encontram-se na placa de classificação.

Modelo _____

N.º de série _____

Verifique também o cartão de garantia fornecido com o produto em caso de garantia.

Centro de Assistência Europeu		
País*	Número de telefone	Custos
Haier Italy (IT)	199 100 912	
Haier Spain (ES)	902 509 123	
Haier Germany (DE)	0180 5 39 39 99	<ul style="list-style-type: none">• 14 CT/Min telefone fixo• Max 42 Ct/Min móvel
Haier Austria (AT)	0820 001 205	<ul style="list-style-type: none">• 14,53 CT/Min telefone fixo• máx. 20 Ct/Min todos os outros
Haier United Kingdom (UK)	0333 003 8122	
Haier France (FR)	0980 406 409	

* Para outros países, consulte www.haier.com

Haier Europe Trading S.r.l

Branch UK

Westgate House, Westgate, Ealing

London, W5 1YY

*Duração da garantia do aparelho de refrigeração:

A garantia mínima é: 2 anos para os países da UE, 3 anos para a Turquia, 1 ano para o Reino Unido, 1 ano para a Rússia, 3 anos para a Suécia, 2 anos para a Sérvia, 5 anos para a Noruega, 1 ano para Marrocos, 6 meses para a Argélia, Tunísia nenhuma garantia legal necessária.

*O período de peças sobressalentes para a reparação do aparelho:

Termostatos, sensores de temperatura, placas de circuitos impressos e fontes de luz estão disponíveis durante um período mínimo de sete anos após a colocação da última unidade do modelo no mercado.

Puxadores da porta, dobradiças da porta, bandejas e cestos durante um período mínimo de sete anos e juntas da porta durante um período mínimo de 10 anos, depois de colocada a última unidade do modelo no mercado.

*Para mais informações sobre o produto, consulte <https://eprel.ec.europa.eu/> ou digitalize o código QR na etiqueta energética fornecida com o aparelho.

2022 versão B

Haier Smart Home Co.,Ltd.
No.1 Haier Road,Haier Industry Park,Hi-Tech Zone,
266103 Qingdao,Shandong,China
MADE IN CHINA

Haier



0060535245



Manualul utilizatorului

Combină frigorifică

HCW58F18EWMP

RO

Haier

Vă mulțumim că ați achiziționat un produs Haier.

Citiți aceste instrucțiuni cu atenție înainte de a utiliza acest aparat. Instrucțiunile conțin informații importante care vă vor ajuta să folosiți aparatul la capacitate maximă și să asigurați instalarea, utilizarea și întreținerea sigure și corespunzătoare.

Păstrați manualul de față la îndemână astfel încât să îl puteți consulta pentru utilizarea sigură și corectă a aparatului.

Dacă vindeți, oferiți sau lăsați aparatul în vechea locuință când vă mutați, asigurați-vă că lăsați și manualul de utilizare, astfel încât noul proprietar să se poată familiariza cu aparatul și cu avertismentele de siguranță.

Legendă



Avertizare - Informații importante legate de siguranță



Informații și sfaturi generale



Informații legate de mediu

Eliminare



Ajutați la protejarea mediului și sănătății omului. Puneți ambalajul în containerele corespunzătoare în vederea reciclării. Ajutați la reciclarea deșeurilor de aparate electrice și electronice. Nu aruncați electronicele marcate cu acest simbol în același loc cu deșeurile menajere. Returnați produsul la centrul local de reciclare sau contactați agenția municipală.



AVERTIZARE!

Risc de vătămare sau sufocare!

Agenții de refrigerare și gazele trebuie eliminate profesionist. Asigurați-vă că tubulatura circuitului de agent frigorific nu este deteriorată înainte de eliminarea corespunzătoare a acesteia. Deconectați aparatul de la rețeaua de curent. Tăiați cablul de alimentare de la rețeaua de curent și eliminați-l. Scoateți tăvile și sertarele, dar și opritorul și garniturile ușii, pentru a preveni închiderea copiilor și a animalelor în aparat.

Informații de siguranță	4
Descrierea produsului	10
Panou de comenzi.....	11
Utilizarea	12
Echipament.....	26
Îngrijire și curățare	29
Depanare	32
Instalare	35
Date tehnice	38
Serviciul pentru clienți	40

Accesorii

Verificați accesoriile și documentația în conformitate cu această listă:



Dispozitiv pentru cuburi de gheață cu dozator de gheață



3 distanțiere



Eticheta de energie



Fișa de garanție



Manual de utilizare
Autocolant „OK”
Manual de utilizare

Notă: Numai pentru modelul HCW58F18EWMP

Înainte de pornirea aparatului pentru prima dată, citiți următoarele sfaturi legate de siguranță:



AVERTIZARE!

Înainte de prima utilizare

- ▶ Asigurați-vă că nu există deteriorări provocate de transport.
- ▶ Eliminați toate ambalajele și păstrați-le la distanță de copii.
- ▶ Așteptați cel puțin două ore înainte de a instala aparatul pentru a lăsa timp circuitului frigorific să devină perfect eficient.
- ▶ Manevrați întotdeauna dispozitivul cu cel puțin încă două persoane, pentru că este greu.

Instalare

- ▶ Aparatul trebuie amplasat într-un loc bine ventilat. Asigurați un spațiu de cel puțin 10 cm deasupra aparatului și în jurul acestuia.
- ▶ Nu amplasați niciodată aparatul într-o zonă cu umezeală sau într-un loc în care acesta poate fi stropit cu apă. Curățați și uscați stropiturile de apă și petele cu o cârpă curată, moale.
- ▶ Nu instalați aparatul în lumina directă a soarelui sau în apropierea surselor de căldură (de ex., cuptoare, radiatoare).
- ▶ Instalați și poziționați dispozitivul într-o zonă potrivită dimensiunilor și destinației sale.
- ▶ **AVERTISMENT:** Mențineți fantele de aerisire ale aparatului sau încorporate în structură fără obstrucții.
- ▶ Asigurați-vă că informațiile electrice de pe plăcuța cu date tehnice se potrivesc cu sursa de electricitate. Dacă nu se potrivesc, contactați un electrician.
- ▶ Dispozitivul este operat de o sursă de electricitate de 220-240 V c.a./50 Hz. Fluctuațiile anormale de tensiune pot face dispozitivul să nu pornească sau pot deteriora controlul temperaturii sau compresorul sau pot provoca un zgomot anormal în timpul utilizării. În acest caz, ar trebui să fie montat un regulator automat.
- ▶ Nu utilizați adaptoare cu ștecăre multiple și prelungitoare.
- ▶ **AVERTISMENT:** Nu amplasați prizele portabile multiple sau alimentările portabile în spatele aparatului.
- ▶ **AVERTISMENT:** Atunci când poziționați aparatul, cablul de alimentare nu trebuie să fie prins sau deteriorat.
- ▶ Nu călcați pe cablul de alimentare.
- ▶ Folosiți o priză separată cu împământare pentru alimentarea cu energie electrică, care să fie ușor accesibilă. Aparatul trebuie legat la împământare.

**AVERTIZARE!**

► **Doar pentru Regatul Unit:** Cablul de alimentare al dispozitivului este prevăzut cu ștecăr cu 3 pini (împământare) care se potrivește cu o priză standard cu 3 găuri (împământată). Nu demontați sau nu tăiați niciodată cel de-al treilea pin (împământarea). După instalarea dispozitivului, ștecărul ar trebui să fie accesibil.

► **AVERTISMENT:** Nu deteriorați circuitul frigorific.

Utilizarea cotidiană

► Acest aparat poate fi utilizat de către copiii cu vârste de minim 8 ani și de către persoanele cu abilități fizice, senzoriale sau mentale reduse sau fără experiență sau cunoștințe, cu condiția să fie supravegheate sau instruite corespunzător privind modul de utilizare a acestui aparat în siguranță și să înțeleagă pericolele implicate.

► Nu lăsați copiii să se joace cu aparatul.

► Copiilor cu vârsta cuprinsă între 3 și 8 ani pot încărca și descărca aparate frigorifice, dar nu li se permite să curețe și să instaleze aparatele frigorifice.

► Țineți copiii mai mici de 3 ani la distanță de aparat, cu excepția cazului în care aceștia sunt supravegheați constant.

► Curățarea și întreținerea de către utilizator nu vor fi efectuate de copii fără supraveghere.

► Aparatul trebuie poziționat astfel încât ștecherul să fie accesibil.

► În cazul scurgerii gazului de cărbune sau a altor gaze inflamabile în vecinătatea aparatului, închideți valva gazului care curge, deschideți ușile și ferestrele și nu deconectați niciun ștecher al cablului de alimentare al frigiderului/congelatorului sau al oricărui alt aparat.

► Observați că aparatul este setat să funcționeze într-un interval de mediu specific, între 10 și 38 °C. Este posibil ca aparatul să nu funcționeze corect dacă este lăsat pentru o perioadă lungă de timp la o temperatură superioară sau inferioară intervalului indicat.

► Nu puneți articole instabile (obiecte grele, recipiente umplute cu apă) deasupra frigiderului/congelatorului, pentru a evita vătămarea cauzată de cădere sau de electrocutarea cauzată de contactul cu apa.

► Nu trageți de rafturile ușii. În caz contrar, ușa poate fi înclinată, raftul pentru sticle poate ieși sau aparatul se poate răsturna.

► Deschideți și închideți ușa numai cu ajutorul mânerelor. Spațiul liber dintre ușă și dulap este foarte îngust. Nu introduceți mâinile în zonele respective, pentru a evita ciupirea degetelor. Deschideți sau închideți ușile frigiderului/congelatorului numai atunci când nu se află niciun copil în raza de deplasare a ușii.

► Pentru a evita contaminarea alimentelor, respectați următoarele instrucțiuni:



AVERTIZARE!

- ▶ – Deschiderea ușii pentru perioade lungi de timp poate provoca o creștere semnificativă a temperaturii în compartimentele aparatului.
- ▶ – Curățați regulat suprafețele care pot intra în contact cu alimente și sisteme de drenaj accesibile.
- ▶ – Curățați rezervoarele de apă dacă nu au fost utilizate timp de 48 de ore; spălați sistemul de apă conectat la o sursă de alimentare în cazul în care apa nu a circulat timp de 5 zile.
- ▶ – Păstrați carnea crudă și peștele în recipiente adecvate în frigider, astfel încât să nu fie în contact cu alte alimente sau să nu picure pe alte alimente.
- ▶ – Compartimentele de două stele pentru alimente congelate sunt potrivite pentru depozitarea alimentelor congelate, depozitarea sau pregătirea înghețatei și pregătirea cuburilor de gheață.
- ▶ – Compartimentele de una, două și trei stele nu sunt potrivite pentru înghețarea alimentelor proaspete.
- ▶ – Dacă aparatul este lăsat gol pentru perioade lungi de timp, opriți, dezghețați, curățați, uscați și lăsați ușa deschisă pentru a preveni apariția mușgaiului în interiorul aparatului.
- ▶ Nu depozitați niciodată în congelator bere la sticlă sau băuturi în sticle sau doze (cu excepția băuturilor cu conținut ridicat de alcool), în special băuturi carbogazoase, deoarece acestea se vor sparge în timpul înghețării.
- ▶ Nu depozitați substanțe explozive, cum ar fi canistrele de aerosoli cu gaz inflamabil în interiorul acestui aparat.
- ▶ Nu depozitați medicamente, bacterii sau agenți chimici în dispozitiv. Acest dispozitiv este un aparat electrocasnic. Nu este recomandat pentru depozitarea materialelor care necesită temperaturi stricte.
- ▶ Verificați starea alimentelor în cazul în care a avut loc încălzirea congelatorului.
- ▶ Nu setați o temperatură nenecesar de joasă în compartimentul frigiderului. În cazul setărilor ridicate, pot apărea temperaturi sub punctul de îngheț. Atenție: Sticlele se pot sparge
- ▶ Nu atingeți produsele înghețate cu mâinile ude (purtați mănuși). În special, nu consumați înghețată pe băț imediat după scoaterea din compartimentul congelatorului. Există riscul de îngheț sau de producere a leziunilor provocate de îngheț. PRIMUL ajutor: puneți imediat sub jet de apă rece. Nu trageți!
- ▶ Nu atingeți suprafața interioară a compartimentului de depozitare al congelatorului atunci când este în funcțiune, în special cu mâinile ude, deoarece mâinile pot îngheța pe suprafață.
- ▶ Deconectați aparatul de la energia electrică în cazul unei pene de curent sau înainte de curățare. Așteptați cel puțin 7 minute înainte de repornirea aparatului, deoarece pornirea frecventă poate deteriora compresorul.

**AVERTIZARE!**

- ▶ **AVERTISMENT:** Nu utilizați aparate electrice în interiorul compartimentelor de depozitare a alimentelor ale aparatului decât dacă acestea sunt de tipul recomandat de către producător.

Întreținere/curățare

- ▶ Asigurați-vă că supravegheați copiii dacă aceștia se ocupă de curățare și întreținere.
- ▶ Deconectați aparatul de la rețeaua de alimentare înainte de efectuarea întreținerii de rutină. Așteptați cel puțin 5 minute înainte de repornirea aparatului, deoarece pornirea frecventă poate deteriora compresorul.
- ▶ Țineți de ștecăr, nu de cablu, atunci când deconectați aparatul.
- ▶ Nu curățați aparatul cu perii aspre, cu perii de sârmă, cu detergent pulbere, benzină, acetat de amil, acetonă sau soluții organice similare, soluții acide sau alcaline. Curățați cu detergent special pentru frigider/congelator pentru a evita deteriorările. Puteți utiliza apă caldă și soluție de bicarbonat de sodiu – aproximativ o lingură de bicarbonat de sodiu la un litru/vas de un litru de apă. Clătiți temeinic cu apă și uscați. Nu folosiți pulberi de curățare sau alte produse de curățare abrazive. Nu spălați piesele detașabile în mașina de spălat vase.
- ▶ Nu răzuiți gheața cu obiecte ascuțite. Nu folosiți pulverizatoare, dispozitive electrice de încălzire precum radiatoare, uscătoare de păr, aparate de curățat cu abur sau alte surse de căldură, pentru a evita deteriorarea pieselor din plastic.
- ▶ **AVERTISMENT:** Nu utilizați dispozitive mecanice sau alte mijloace de a accelera procesul de decongelare, în afara celor recomandate de producător.
- ▶ În cazul în care cablul de alimentare este deteriorat, acesta trebuie înlocuit de către producător, agentul său de service sau persoane calificate similare, pentru a evita orice pericol.
- ▶ Nu încercați să reparați, să dezamblați sau să modificați dispozitivul pe cont propriu. În cazul în care este necesară o reparație, contactați serviciul de relații cu clienții.
- ▶ Dacă becurile de iluminare sunt deteriorate, acestea trebuie înlocuite de către producător sau de agentul de service sau de persoane calificate, pentru a evita orice pericol.
- ▶ Eliminați praful din spatele unității cel puțin o dată pe an, pentru a evita riscul de incendiu, dar și consumul mărit de energie.
- ▶ Nu pulverizați și nu spălați aparatul în timpul curățării.
- ▶ Nu folosiți pulverizarea cu apă sau aburi de apă în timpul curățării aparatului.



AVERTIZARE!

- ▶ Nu curățați rafturile reci din sticlă sau ușa din sticlă cu apă fierbinte. Schimbarea bruscă de temperatură poate face ca sticla să se spargă.
- ▶ Dacă nu veți utiliza aparatul pentru o perioadă îndelungată, lăsați-l deschis pentru a preveni apariția mirosurilor și mirosurilor neplăcute în interior.

Informații privind gazul refrigerant



AVERTIZARE!

Aparatul conține agentul frigorific inflamabil IZOBUTAN (R600a). Asigurați-vă că circuitul frigorific nu este deteriorat în timpul transportării sau instalării. Scurgerile de agent frigorific pot cauza vătămări ale ochilor sau se pot aprinde. Dacă s-a produs o deteriorare a aparatului, țineți la distanță de sursele de flăcări deschise, ventilați bine camera, **nu** conectați și nu deconectați cablurile de alimentare ale aparatului sau ale oricărui alt aparat. Informați serviciul de asistență pentru clienți.

În cazul în care agentul frigorific intră în contact cu ochii, spălați imediat în jet de apă și contactați imediat un specialist oftalmolog.

AVERTISMENT: Sistemul de refrigerare este sub presiune ridicată. Nu-l manipulați. Deoarece se utilizează agenți frigorifici inflamabili, instalați, manipulați și efectuați operațiuni de service asupra aparatului strict urmând instrucțiunile și să contactați agentul profesional sau serviciul nostru post-vânzare pentru a elimina aparatul.



AVERTIZARE!

Pentru frigiderule cu funcție apă-gheață, vă rugăm să acordați atenție următorului avertisment:

Pentru aparatele care nu sunt destinate conectării la sursa de apă:

AVERTIZARE: se umple numai cu apă potabilă.

Pentru aparatele destinate conectării la sursa de apă:

AVERTIZARE: racordați numai la alimentarea cu apă potabilă.

Dacă doriți să curățați sistemul de apă, vă rugăm să consultați manualul de utilizatorului. Dacă aveți întrebări, vă rugăm să contactați serviciul post-vânzare.

Utilizarea prevăzută

Acest aparat este proiectat pentru răcirea și congelarea alimentelor. Acesta a fost conceput exclusiv pentru utilizarea în aplicații casnice și similare, precum în zona de bucătărie pentru personalul din magazine, în birouri și în alte medii de lucru; ferme și clienți din hoteluri, moteluri și alte tipuri de medii rezidențiale, precum și în pensiunile de tip bed-and-breakfast și de catering. Nu este destinat utilizării comerciale sau industriale.

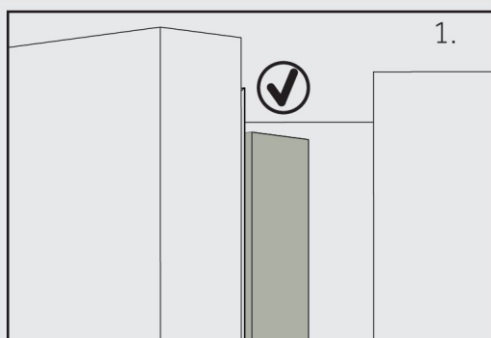
Nu este permisă aducerea schimbărilor sau modificărilor dispozitivului. Utilizarea necorespunzătoare poate duce la apariția pericolelor și la pierderea garanției.

Standarde și directive **CE** și **UKCA**

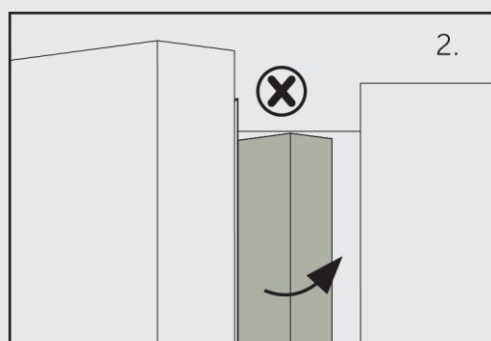
Acest produs îndeplinește cerințele tuturor directivelor CE aplicabile cu standardele armonizate corespunzătoare și standardele din Regatul Unit, prevăzute pentru marcajul CE și UKCA.



ATENȚIE!



Atunci când închideți ușa, banda verticală a ușii din ușa din stânga a frigiderului trebuie să se îndoie în interior (1).



Dacă încercați să închideți ușa din stânga fără să îndoiiți banda verticală a ușii (2), banda ușii va lovi arborele de prindere sau ușa din dreapta. Astfel, poate fi deteriorată garnitura ușii sau pot apărea scurgeri.

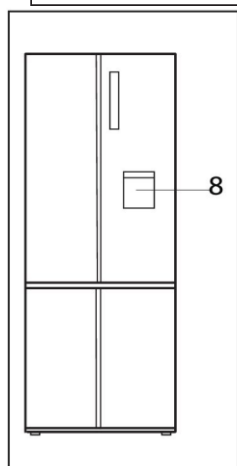
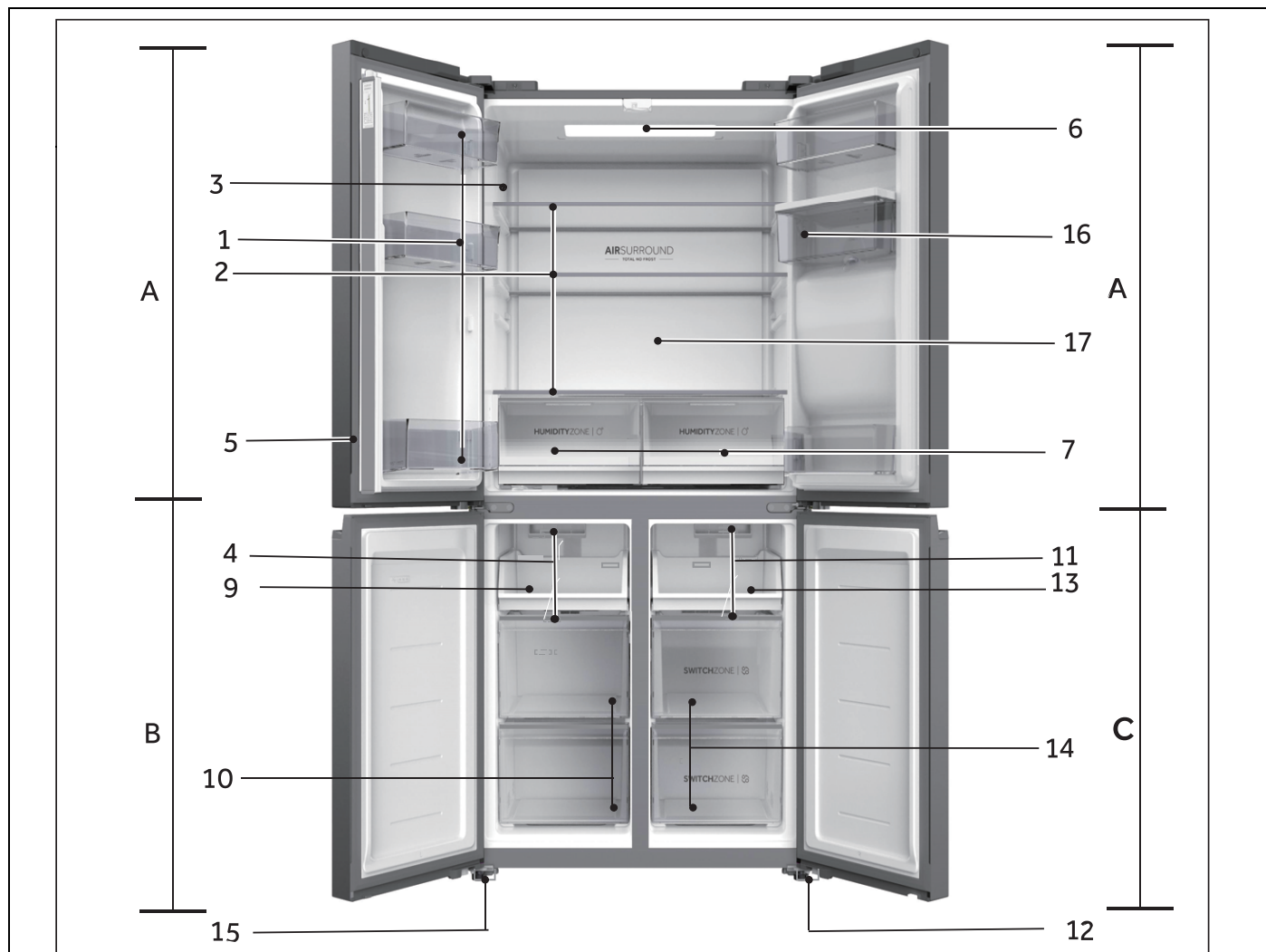
În interiorul cadrului există un fir de încălzire. Temperatura suprafeței va crește puțin, lucru care este normal și nu afectează funcționarea aparatului.



Notificare

Ca urmare a modificărilor tehnice și a diferitelor modele, unele ilustrații din acest manual pot diferi de modelul dvs.

Model (HCW58F18EWMP)



A: Compartiment frigider

- 1 Raft pe ușă
- 2 Raft dulap
- 3 Plăcuța cu date tehnice
- 5 Bandă ușă
- 6 Bec plafon
- 7 Sertar Humidity zone
- 8 Dozator de apă
- 16 Rezervor de apă
- 17 Conductă de aer

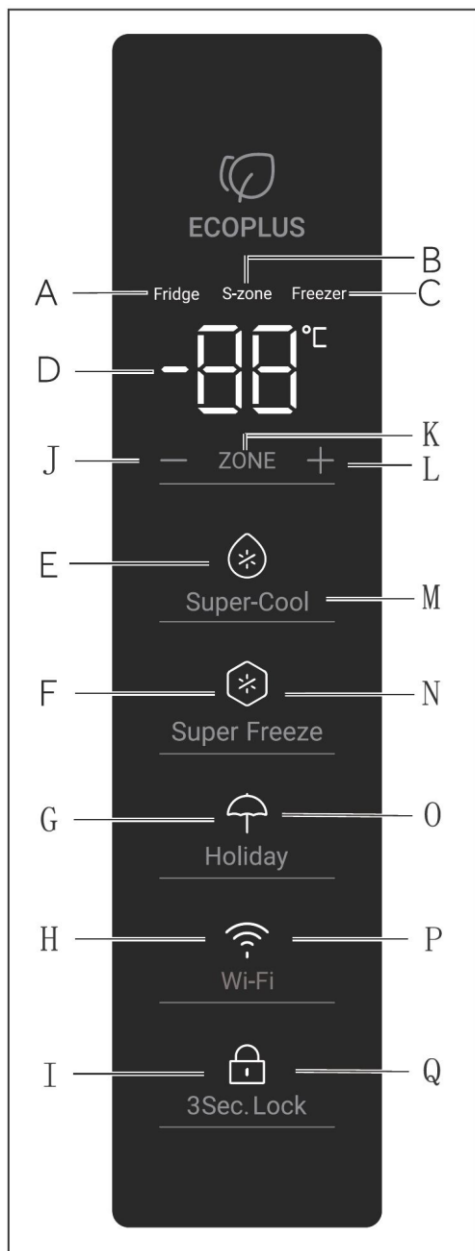
B: Compartiment congelator

- 4 Conductă de aer
- 9 Tavă de depozitare
- 10 Sertar de depozitare
- 15 Picioare ajustabile

C: Compartiment Switch Zone

- 11 Conductă de aer
- 12 Picioare ajustabile
- 13 Tavă de depozitare
- 14 Sertar de depozitare Switch Zone

Panou de comenzi (HCW58F18EWMP)



Indicator:

- A Compartiment frigider
- B Switch Zone
- C Compartiment congelator
- D Afișaj temperatură
- E Funcția Super Cool
- F Funcția Super Freeze
- G Modul Holiday
- H Funcția Wi-Fi
- I Blocare panou

Butoane:

- J Controlul temperaturii „-”
- K Selectare compartiment
- L Control temperatură
- M Selector de funcție Super Cool
- N Selector de funcție Super Freeze
- O Selector mod Holiday
- P Funcția Wi-Fi activată/dezactivată
- Q Selector blocare panoul

Înainte de prima utilizare

- ▶ Scoateți toate materialele de ambalare, țineți-le departe de copii și eliminați-le într-un mod ecologic.
- ▶ Curățați interiorul și exteriorul aparatului cu apă și un detergent neutru înainte de a pune alimente în interior.
- ▶ După echilibrarea și curățarea aparatului, așteptați cel puțin 2-5 ore înainte de a-l conecta la rețeaua de alimentare. Consultați secțiunea INSTALARE.
- ▶ Răciți în prealabil compartimentele cu setări ridicate înainte de ale umple cu alimente. Funcția Power-Freeze ajută la răcirea rapidă a compartimentelor.
- ▶ Temperaturile frigiderului, compartimentului Switch Zone și congelatorului sunt setate automat la 5 °C, -18° C, respectiv -18 °C. Acestea sunt setările recomandate. Dacă doriți, puteți modifica manual aceste temperaturi. Consultați REGLARE TEMPERATURĂ.

Taste cu senzor

Butoanele de pe panoul de comenzi sunt taste cu senzori, care răspund imediat ce sunt apăstate ușor cu degetul.

Pornire/oprire aparat

Aparatul intră în funcțiune imediat ce este conectat la rețeaua de alimentare.

Când frigiderul este pornit pentru prima dată, indicatorul „D” (afișajul temperaturii) se aprinde. Temperaturile frigiderului, compartimentului Switch Zone și congelatorului sunt setate automat la 5 °C, -18° C, respectiv -18 °C.

Este posibil ca blocarea panoului să fie activă.



Notificare

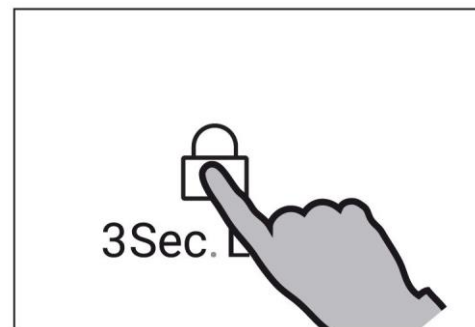
Aparatul este presetat la temperatura recomandată de 5 °C (frigider), -18°C (Switch Zone) și -18 °C (congelator). În condiții de temperaturi ambientale normale nu este necesară setarea unei temperaturi.

Atunci când aparatul este pornit după deconectarea de la rețeaua de alimentare, poate dura până la 12 ore pentru atingerea temperaturilor corecte.

Goliți aparatul înainte de oprire. Pentru oprirea aparatului, scoateți cablul de alimentare din priză.

Blocare/deblocare panou

Ecranul de afișare se oprește automat la 30 de secunde după apăsarea unei taste. Afișajul va fi blocat automat. Se aprinde automat la apăsarea oricărei taste sau la deschiderea oricărei uși.



Notificare

Temperatura frigiderului, temperatura Switch Zone, temperatura congelatorului, funcția Super Cool, funcția Super Freeze, modul Holiday, funcția Wi-Fi nu pot fi reglate în starea de blocare.

Modul de așteptare

Ecranul de afișare se oprește automat după 30 de secunde de la apăsarea unei taste. Afișajul va fi blocat automat. Se aprinde automat prin apăsarea oricărei taste sau prin deschiderea ușii. (Alarma nu duce la aprinderea ecranului).

Modul de ajustare manuală

Dacă doriți să reglați manual temperatura aparatului, puteți seta butonul de reglare a temperaturii (consultați REGLAREA TEMPERATURII)

Reglarea temperaturii

Temperaturile din interior sunt influențate de următorii factori:

- ▶ Temperatura ambientală
- ▶ Frecvența de deschidere a ușii
- ▶ Cantitatea de alimente depozitate
- ▶ Instalarea aparatului

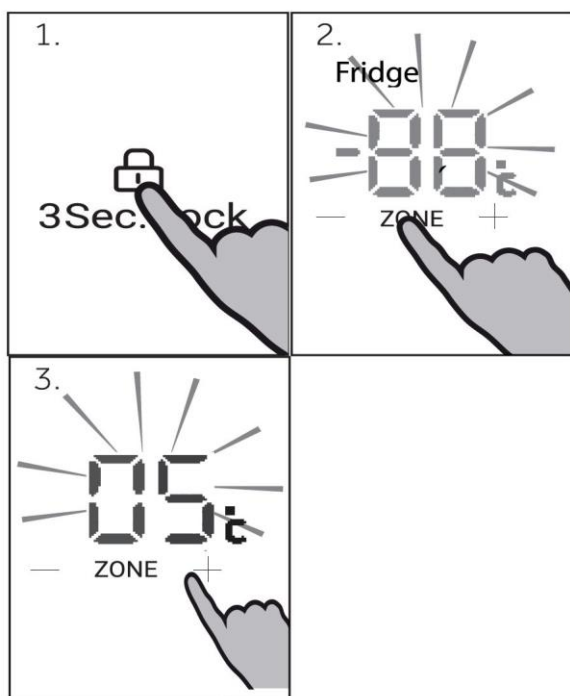
Alarma privind ușa

Alarma privind ușa se va declanșa atunci când ușa se deschide pentru o perioadă lungă de timp sau, ca memento, atunci când nu este închisă corect.

Ajustarea temperaturii frigiderului

Deblocați setările ținând apăsată tasta „Q” timp de 3 secunde.

În starea de deblocare, apăsați tasta „K” (Selectare compartiment) pentru a comuta între compartimente. Când indicatorul „A” (indicatorul compartimentului frigider) se aprinde, apăsați tasta „J” (controlul temperaturii sau tasta „L” (controlul temperaturii „+”) pentru a regla temperatura compartimentului frigider. Valoarea afișată pe indicatorul „D” scade cu 1 °C la fiecare apăsare a tastei „J”.



Afișajul se luminează intermitent și apoi continuu, cu valoarea setată a temperaturii, apoi se stinge după câteva secunde. În același mod, valoarea afișată pe indicatorul „D” crește cu 1 °C la fiecare apăsare a tastei „L”. Afișajul se luminează intermitent și apoi continuu, cu valoarea setată a temperaturii, apoi se stinge după câteva secunde. Temperatura compartimentului frigider poate fi reglată de la 1 °C la 9 °C, gradat, cu o creștere de 1 °C.



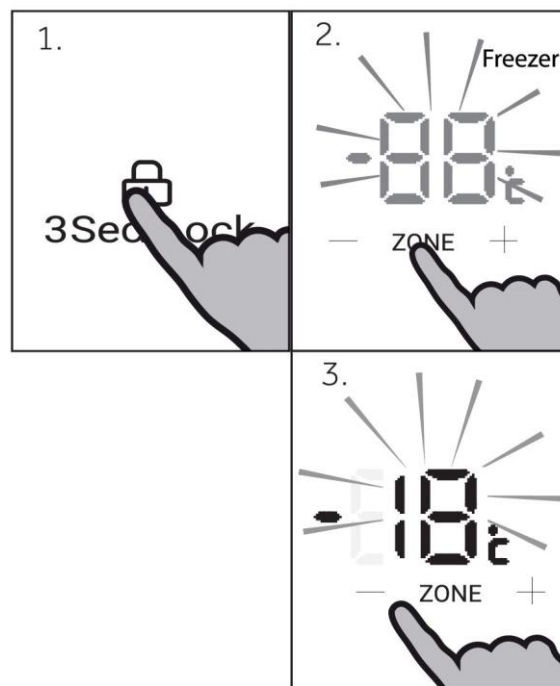
Notificare

Temperatura frigiderului nu poate fi reglată în starea Super Cool, Holiday și blocare.

Ajustarea temperaturii congelatorului

Deblocăți setările ținând apăsată tasta „Q” timp de 3 secunde.

În starea de deblocare, apăsați tasta „K” (Selectare compartiment) pentru a comuta între compartimente. Când indicatorul „C” (indicatorul compartimentului congelator) se aprinde, apăsați tasta „J” (controlul temperaturii „-”) sau tasta „L” (controlul temperaturii „+”) pentru a regla temperatura compartimentului congelator. Valoarea afișată pe indicatorul „D” scade cu 1 °C la fiecare apăsare a tastei „J”. Afișajul se luminează intermitent și apoi continuu, cu valoarea setată a temperaturii, apoi se stinge după câteva secunde. În același mod, valoarea afișată pe indicatorul „D” crește cu 1 °C la fiecare apăsare a tastei „L”. Afișajul se luminează intermitent și apoi continuu, cu valoarea setată a temperaturii, apoi se stinge după câteva secunde. Temperatura compartimentului congelator poate fi reglată de la -14 °C la -24 °C, gradat, cu o creștere de 1 °C.



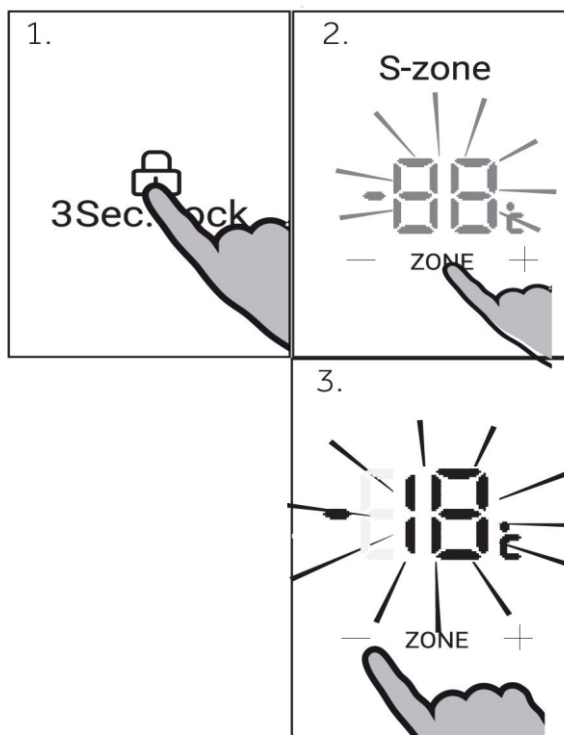
Notificare

Temperatura congelatorului nu poate fi reglată în starea Super Freeze și blocare.

Reglarea temperaturii compartimentului Switch Zone

Deblocați setările ținând apăsată tasta „Q” timp de 3 secunde.

În starea de deblocare, apăsați tasta „K” (Selectare compartiment) pentru a comuta între compartimente. Când indicatorul „B” (indicatorul Switch Zone) se aprinde, apăsați tasta „J” (controlul temperaturii „-”) sau tasta „L” (controlul temperaturii „+”) pentru a regla temperatura compartimentului Switch Zone. Valoarea afișată pe indicatorul „D” scade cu 1 °C la fiecare apăsare a tastei „J”. Afișajul se luminează intermitent și apoi continuu, cu valoarea setată a temperaturii, apoi se stinge după câteva secunde. În același mod, valoarea afișată pe indicatorul „D” crește cu 1 °C la fiecare apăsare a tastei „L”. Afișajul se luminează intermitent și apoi continuu, cu valoarea setată a temperaturii, apoi se stinge după câteva secunde. Temperatura compartimentului Switch Zone poate fi reglată de la 5 °C la -18 °C, gradat, cu o creștere de 1 °C.



Notificare

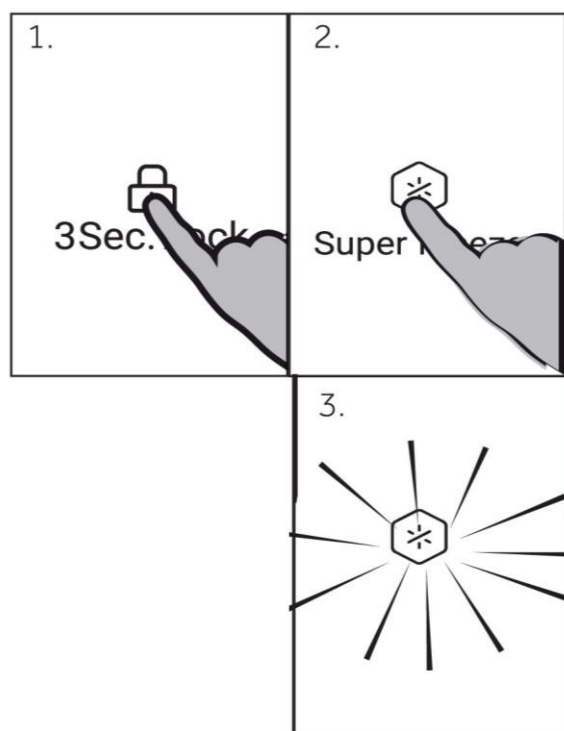
Temperatura Switch Zone nu poate fi reglată în starea Blocare.

Funcția Super Freeze

Funcția Super Freeze poate congela alimentele proaspete, în cel mai scurt timp posibil, până în partea lor centrală, accelerând înghețarea pentru a păstra cea mai bună valoare nutritivă, aspect și gust. Dacă trebuie să congelați o cantitate mare de alimente pe loc, este recomandat să activați funcția Super Freeze cu 24 de ore înainte de utilizarea compartimentului de congelare.

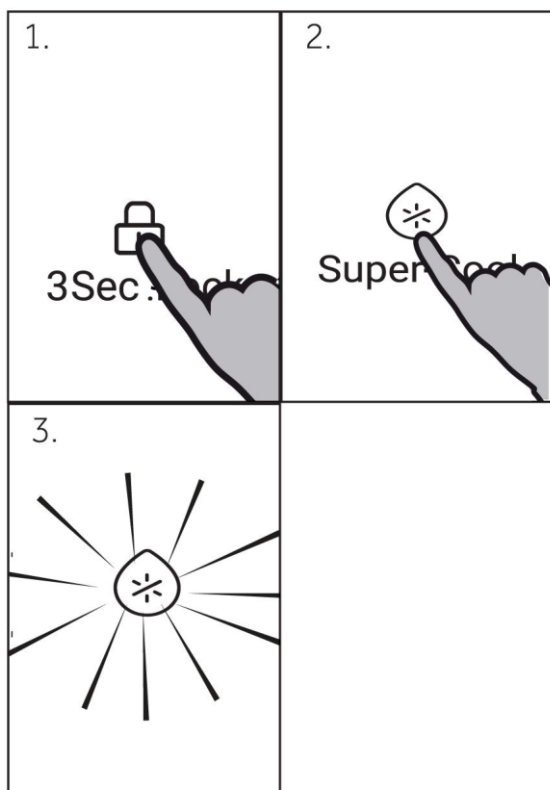
Deblocăți setările ținând apăsată tasta „Q” timp de 3 secunde.

În starea Deblocare, apăsați tasta „N” (selectorul funcției Super Freeze), indicatorul „F” (indicatorul funcției Super Freeze) se aprinde, produsul intră în modul Super Freeze. Produsul iese automat din modul Super Freeze după 50 de ore de la activarea sa. Pentru a ieși manual din modul Super Freeze, apăsați tasta „N” (selectorul funcției Super Freeze) în starea Deblocare; indicatorul „F” (indicatorul funcției Super Freeze) se stinge, produsul iese din modul Super Freeze.



Notificare

În modul Super Freeze, tasta „J” (controlul temperaturii „-”) și tasta „L” (controlul temperaturii „+”) sunt blocate când este selectat compartimentul congelator, iar temperatura compartimentului congelator nu poate fi reglată.



Funcția Super Cool

După ce ați introdus alimentele în compartimentul frigider, dacă doriți să le răciți rapid, puteți activa funcția Super Cool.

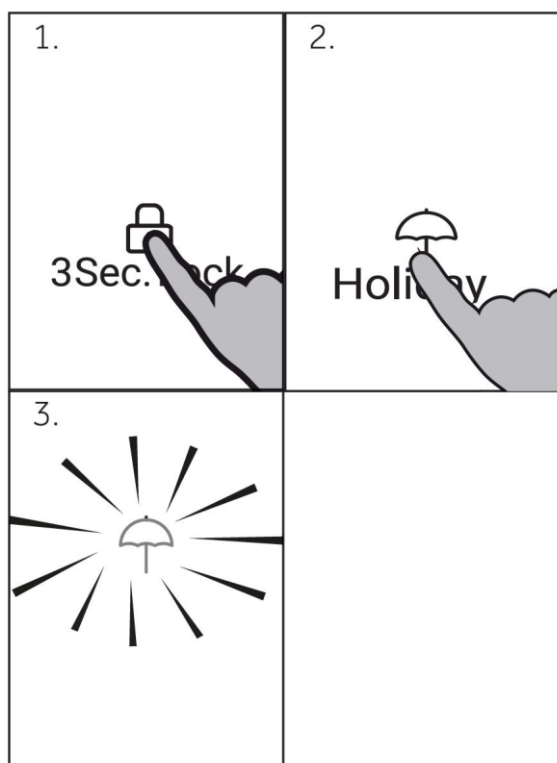
Deblocați setările ținând apăsată tasta „Q” timp de 3 secunde.

În starea Deblocare, apăsați tasta „M” (selectorul funcției Super Cool), indicatorul „E” (indicator al funcției Super Cool) se aprinde, produsul intră în modul Super Cool. Produsul iese automat din modul Super Cool după 6 ore de la activarea sa. Pentru a ieși manual din modul Super Cool, apăsați tasta „M” (selector al funcției Super Cool) în starea de deblocare, indicatorul „E” (indicatorul funcției Super Cool) se stinge, produsul iese din modul Super Cool.



Notificare

Funcția Super Cool se dezactivează automat când este selectat modul Holiday. În modul Super Cool, tasta „J” (controlul temperaturii „-”) și tasta „L” (controlul temperaturii „+”) sunt blocate când este selectat compartimentul frigider, iar temperatura compartimentului frigider nu poate fi reglată.



Modul Holiday

În modul Holiday, compartimentul frigiderului se setează automat la 17° C (pentru economisirea energiei), în timp ce compartimentul Switch Zone și compartimentul congelator funcționează la setările normale de temperatură.

Deblocați setările ținând apăsată tasta „Q” timp de 3 secunde.

În starea Deblocare, apăsați tasta „O” (selector mod Holiday). Indicatorul „G” (indicator mod Holiday) se aprinde, iar produsul intră în modul Holiday; pentru a ieși, apăsați tasta „O” (selectorul modului Holiday), indicatorul „G” se stinge, iar produsul iese din modul Holiday.

Notificare


Modul Holiday se dezactivează automat când funcția Super Cool este activată.

În modul Holiday, tasta „J” (controlul temperaturii „-”) și tasta „L” (Controlul temperaturii „+”) sunt blocate când este selectat compartimentul frigider, iar temperatura compartimentului frigider nu poate fi reglată.

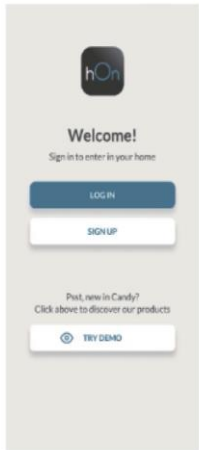
Setarea modului Wi-Fi

PROCEDURA DE ASOCIERE ÎN APLICAȚIE


Pasul 1 • Descărcați aplicația hOn din magazinele digitale



Pasul 2 Creați-vă contul în aplicația hOn sau conectați-vă dacă aveți deja un cont



Pasul 3 Urmați instrucțiunile de asociere în aplicația hOn



Funcția Wi-Fi

Dacă Wi-Fi nu a fost configurat încă, atunci când frigiderul pornește pentru prima dată, acesta va intra automat în modul de configurare și va rămâne în această stare timp de 30 de minute.

Pictograma Wi-Fi „H” se aprinde intermitent rapid și poate începe înregistrarea produsului.

1. Urmați instrucțiunile aplicației pentru a configura Wi-Fi.
2. După configurarea Wi-Fi și stabilirea conexiunii, pictograma Wi-Fi „H” este activată și remediată.
3. Dacă în 30 de minute nu s-a efectuat nicio operație, Wi-Fi va ieși automat din modul de configurare.
4. Dacă Wi-Fi-ul este deja configurat, acesta se va reconecta automat în funcție de informațiile de configurare, dacă se activează conexiunea Wi-Fi.



Notificare

1. Acest produs nu este destinat utilizării comerciale.
2. Frecvența de lucru a emițătorului: 2400 MHz ~ 2483,5 MHz
3. Puterea maximă de ieșire a transmițătorului: 20dBm



Notificare

1. Pentru a opri Wi-Fi, apăsați tasta Wi-Fi „P” și pictograma Wi-Fi „H” se oprește.
2. Pentru a porni Wi-Fi și a începe configurarea, apăsați tasta Wi-Fi „P”, iar pictograma Wi-Fi „H” începe să lumineze intermitent ușor. Dacă doriți să dezactivați funcția Wi-Fi, apăsați tasta „P” o dată. Dacă doriți să configurați funcția Wi-Fi, apăsați tasta „P” timp de 3 secunde, dar mai puțin de 20 de secunde. Se va emite un semnal acustic, pictograma Wi-Fi se luminează intermitent rapid și dispozitivul intră în modul de configurare. Repetați pașii de mai sus.
3. Dacă produsul a fost configurat și funcția Wi-Fi a fost dezactivată, frigiderul nu va intra în modul de configurare odată ce este din nou conectat la curent.
4. După configurarea Wi-Fi și stabilirea conexiunii, pictograma Wi-Fi „H” este activată și remediată.

Alarma privind ușa

Alarma privind ușa se va declanșa atunci când ușa se deschide pentru o perioadă lungă de timp sau, ca memento, atunci când nu este închisă corect.

UȘĂ FRIGIDER PE STÂNGA

UȘĂ FRIGIDER PE DREAPTA

UȘĂ CONGELATOR

UȘĂ SWITCH ZONE

Dozator de apă

Cu ajutorul dozatorului de apă poate fi asigurată apă potabilă rece.

Rezervorul de apă trebuie curăţat înainte de prima utilizare (consultaţi secţiunea ÎNGRIJIRE ŞI CURĂŢARE).

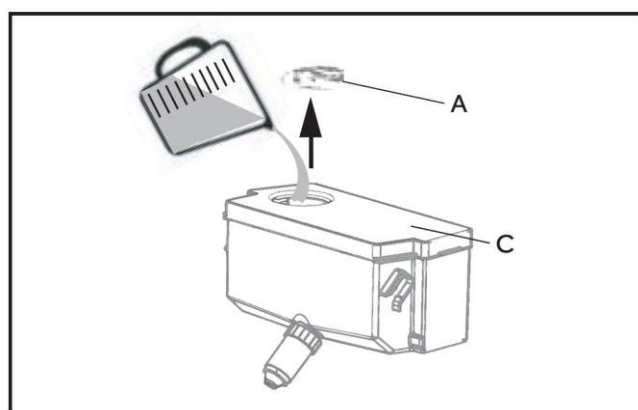
Umplerea rezervorului de apă



AVERTIZARE!

Umpleţi numai cu apă potabilă.

1. Asiguraţi-vă că apa este introdusă corect (consultaţi secţiunea ECHIPAMENT)
2. Rotiţi şi ridicaţi capacul rotund (A) şi umpleţi rezervorul de apă cu apă potabilă proaspătă.
3. Umpleţi cu apă numai până la marcaj (2.5l); în caz contrar, apa se poate revărsa la deschiderea şi închiderea uşii.
4. Închideţi capacul rotund (A) până când se aude un clic.

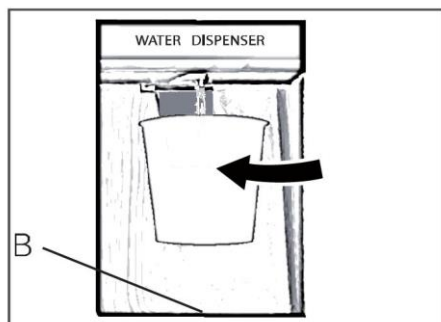


Observaţie: Dozator de apă

Înainte de reumplere, aruncaţi apa reziduală şi curăţaţi rezervorul.

Atunci când nu aveţi nevoie de apă pentru o perioadă lungă de timp, goliţi rezervorul de apă şi introduceţi rezervorul curăţat.

Capacul (C) rezervorului de apă este utilizat şi pentru economisirea energiei. Dacă nu doriţi să folosiţi apă de la dozatorul de apă pentru o perioadă lungă de timp, montaţi, totuşi, capacul, deoarece acesta ajută la izolare şi la economisirea energiei.



Obţinerea apei de la dozator

1. Puneţi un pahar sub orificiul de ieşire a apei.
2. Împingeţi uşor mânerul dozatorului de apă. Asiguraţi-vă că paharul este la acelaşi nivel cu dozatorul pentru a preveni stropirea cu apă.
3. Apa din tavă (B) trebuie îndepărtată la timp, deoarece s-ar putea scurge când uşa se deschide şi se închide.

Sfaturi legate de depozitarea alimentelor proaspete

Depozitarea în compartimentul frigiderului

- ▶ Mențineți temperatura frigiderului sub 5 °C.
- ▶ Alimentele fierbinți trebuie răcite la temperatura camerei înainte de a fi depozitate în aparat.
- ▶ Alimentele depozitate în frigider trebuie spălate și uscate înainte de depozitare
- ▶ Alimentele care vor fi depozitate trebuie sigilate corespunzător pentru a evita modificarea mirosului sau a gustului.
- ▶ Nu depozitați cantități excesive de alimente. Lăsați spații între alimente pentru a permite trecerea fluxului de aer rece în jurul acestora, pentru o răcire mai bună și mai omogenă.
- ▶ Alimentele consumate zilnic trebuie depozitate în partea din față a raftului.
- ▶ Lăsați un spațiu între alimente și pereții interior, pentru a permite trecerea aerului. În special, nu depozitați alimente lipite de perețele din spate: alimentele pot îngheța pe perețele din spate. Evitați contactul direct dintre alimente (în special alimentele uleioase sau acide) și căptușeala interioară, deoarece uleiul/acidul poate eroda căptușeala interioară. Curățați reziduurile de ulei/acid atunci când le depistați.
- ▶ Decongețați alimentele congelate în compartimentul de depozitare al frigiderului. În acest fel, puteți utiliza alimentele congelate pentru a reduce temperatura din compartiment și pentru a economisi energie.
- ▶ Procesul de îmbătrânire a fructelor și legumelor precum dovlecei, pepene, papaya, banane, ananas etc. poate fi accelerat în frigider. Prin urmare, nu este recomandată depozitarea lor în frigider. Totuși, coacerea fructelor foarte verzi poate fi accelerată pentru o anumită perioadă. Și ceapa, usturoiul, ghimbirul și alte legume rădăcinoase trebuie depozitate la temperatura camerei.
- ▶ Mirosurile neplăcute din interiorul frigiderului reprezintă un semn că ceva s-a vărsat și este necesară curățarea. Consultați secțiunea ÎNGRIJIRE ȘI CURĂȚARE.
- ▶ Alimentele diferite trebuie amplasate în zone diferite, în funcție de proprietățile acestora:



Notificare

Vă rugăm să păstrați distanța mai mare de 10 mm între alimentele stocate și conducta de aer sau senzorii pentru a asigura efectul de răcire.



- 1 Unt, brânză etc.
- 2 Ouă, conserve, alimente în conserve, condimente etc.
- 3 Băuturi și alimente în sticle.
- 4 Alimente murate, alimente în conserve etc.
- 5 Produse din carne, gustări, paste, conserve, lapte, tofu, lactate etc.
- 6 Carne gătită, cârnați etc.
- 7 Sertar Humidity Zone: Fructe, legume, salată etc.
- 8 Sertar Humidity Zone: Fructe, legume, salată etc.

Depozitare în compartimentul Switch Zone

Compartimentul Switch Zone vă permite să reglați temperatura între -18 °C și 5 °C, în funcție de cerința de depozitare a alimentelor, și vă oferă o flexibilitate suplimentară la opțiunile de depozitare, pentru confortul dvs.

-18 °C	Pentru alimente congelate obișnuite, care necesită păstrarea între 1-12 luni.	Carne, carne de pasăre, fructe de mare, alimente pre-gătite și resturi de alimente, unele fructe și legume, înghețată și alte deserturi congelate.
-7 °C	Permite porționarea ușoară a alimentelor și capacitatea de a încălzi, găti sau servi alimente direct din compartiment, fără a aștepta ca acestea să se dezghețe.	Carne, fructe de mare, supe, sosuri, piure, pâine, deserturi și produse de patiserie. Notă: Recomandat pentru depozitarea deserturilor cremoase precum înghețata.
0 °C	Oferă zona de depozitare perfectă pentru alimente foarte perisabile, pentru a se asigura că își păstrează prospețimea și calitatea specifică.	Carne, carne de pasăre și fructe de mare foarte perisabile. Băuturi alcoolice, cum ar fi berea.
5 °C	Modul ideal pentru alimente proaspete precum fructe și legume, produse lactate, carne și băuturi.	Fructe și legume, produse lactate, gemuri și sosuri/ conserve, carne și băuturi.

Depozitarea în compartimentul congelatorului

- ▶ Mențineți temperatura congelatorului la $-18\text{ }^{\circ}\text{C}$.
- ▶ Cu 24 de ore înainte de congelare porniți funcția Super-freeze: -pentru cantități mici de alimente sunt suficiente 4-6 ore.
- ▶ Alimentele fierbinți trebuie răcite la temperatura camerei înainte de a fi depozitate în compartimentul congelatorului.
- ▶ Alimentele tăiate în bucăți mici vor congela mai repede și vor fi mai ușor de decongelat și gătit. Greutatea recomandată pentru fiecare bucată este de sub 2,5 kg.
- ▶ Este recomandată ambalarea alimentelor înainte de amplasarea lor în congelator. Exteriorul ambalajului trebuie să fie uscat pentru a evita lipirea pungilor între ele. Materialele folosite pentru ambalare trebuie să nu aibă miros, să fie etanșe, să nu fie otrăvitoare sau toxice.
- ▶ Pentru a evita expirarea perioadelor de depozitare, notați data congelării, limita în timp și denumirea alimentelor pe ambalaj în funcție de perioadele de depozitare ale diferitelor alimente.
- ▶ **AVERTIZARE!** Produsele acide, alcaline și sarea etc. pot eroda suprafața interioară a congelatorului. Nu puneți alimentele care conțin aceste substanțe (de exemplu, pește marin) direct pe suprafața interioară. Apa sărată din interiorul congelatorului trebuie curățată imediat.
- ▶ Nu depășiți perioadele de depozitare a alimentelor recomandate de producători. Scoateți din congelator numai cantitatea necesară de alimente.
- ▶ Consumați rapid alimentele decongelate. Alimentele decongelate nu pot fi recongelate decât dacă sunt gătite, mai întâi. În caz contrar, acestea pot fi mai puțin comestibile.
- ▶ Nu încărcăți cantități excesive de alimente proaspete în compartimentul congelatorului. Consultați capacitatea de congelare a congelatorului - Vedeți DATELE TEHNICE sau datele de pe plăcuța de identificare.
- ▶ Alimentele pot fi depozitate în congelator la o temperatură de cel puțin $-18\text{ }^{\circ}\text{C}$ timp de 2-12 luni, în funcție de proprietăți (de ex. carnea: 3-12 luni, legumele: 6-12 luni)
- ▶ Atunci când congelați alimente proaspete, evitați contactul dintre acestea și alimentele deja congelate. Risc de decongelare!

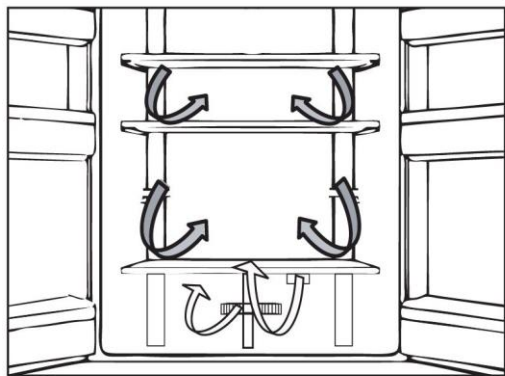
În cazul depozitării alimentelor congelate comercial, urmați următoarele indicații:

- ▶ Urmați întotdeauna instrucțiunile producătorilor privind durata de timp în care puteți depozita alimentele. Nu depășiți aceste indicații!
- ▶ Încercați să păstrați durata de timp dintre cumpărare și depozitare cât mai mică posibil pentru a menține calitatea alimentelor.
- ▶ Cumpărați alimente congelate care au fost depozitate la o temperatură de $-18\text{ }^{\circ}\text{C}$ sau mai joasă.
- ▶ Evitați să cumpărați alimente care au gheață pe ambalaj - acest lucru indică faptul că produsele pot să fi fost decongelate parțial și recongelate într-un anumit moment; creșterile de temperatură afectează calitatea alimentelor.



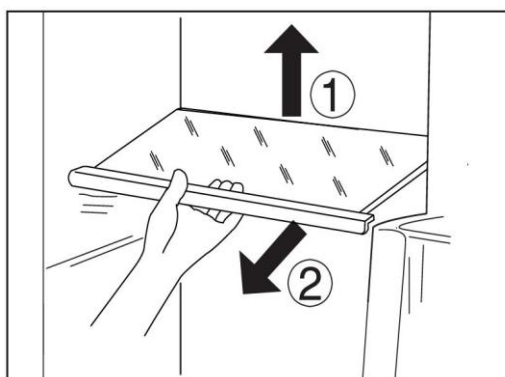
Notificare

- ▶ Vă rugăm să păstrați distanța mai mare de 10 mm între alimentele stocate și conducta de aer pentru a asigura efectul de răcire.



Flux de aer multiplu

Frigiderul este prevăzut cu un sistem cu flux de aer multiplu, prin care fluxurile de aer rece sunt asigurate la nivelul fiecărui raft. Acest lucru ajută la păstrarea unei temperaturi uniforme pentru a asigura faptul că alimentele dvs. sunt menținute proaspete pentru mai mult timp.



Rafturi ajustabile

Înălțimea rafturilor poate fi ajustată pentru a se potrivi nevoilor dvs. de depozitare.

1. Pentru re poziționarea unui raft, scoateți-l mai întâi prin ridicarea marginii din spate (1) și tragerea în afară (2).
2. Pentru montarea la loc, așezați-l pe canalele de pe ambele părți și împingeți-l în cea mai din spate poziție, până când partea din spate a raftului este fixată în interiorul fantelor laterale.



Observație:

Asigurați-vă că toate capetele unui raft sunt drepte.

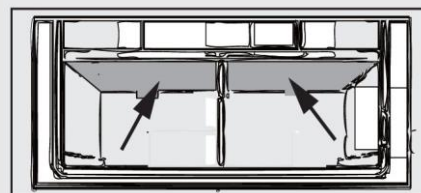
Sertar Humidity zone

În acest compartiment nivelul de umiditate este de aproximativ 85%. Acesta este controlat automat de sistem și este potrivit pentru a stoca fructe, legume, salate etc.



Observație:

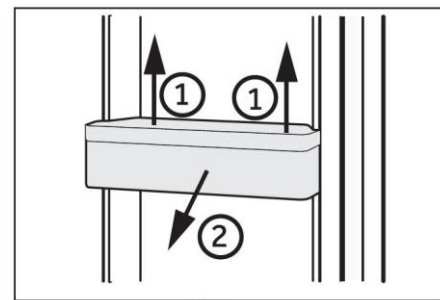
- ▶ Nu îndepărtați capacul de plastic din interiorul celor două zone. Acesta menține umiditatea.
- ▶ Fructele sensibile la temperaturile scăzute, precum ananasul, avocado, bananele, grepfruturile și legumele precum cartofii, vinetele, fasolea, castraveții, dovleceii și roșiile, dar și brânzeturile, nu trebuie depozitate în aceste două sertare.



Rafturi detașabile de pe ușă

Rafturile de pe ușă pot fi demontate pentru curățare: Puneți mâinile pe fiecare parte a raftului, ridicați-l (1) și trageți-l în afară (2).

Pentru introducerea raftului de ușă urmați pașii de mai sus în ordine inversă.

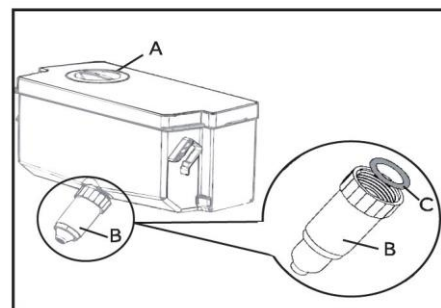


Rezervor de apă demontabil

Rezervorul de apă poate fi demontat pentru curățare și montat la loc în același mod ca rafturile de pe ușă.

Introducerea rezervorului de apă

Amplasați rezervorul de apă în poziția în care evacuarea apei (B) se potrivește în deschiderea ușii. Asigurați-vă că rezervorul de apă este blocat.



Observație: Rezervor de apă

Asigurați-vă că duza este bine înșurubată pe rezervorul de apă și că garnitura inelară albă (C) este la locul său.

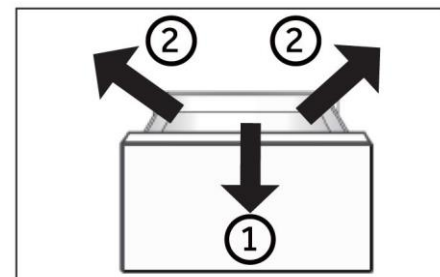
Dacă rezervorul de apă nu este introdus corespunzător, apa poate curge pe la racord.

Nu aplicați o forță excesivă atunci când scoateți sau montați la loc rezervorul de apă, pentru a evita deteriorarea acestuia.

Sertar demontabil congelator

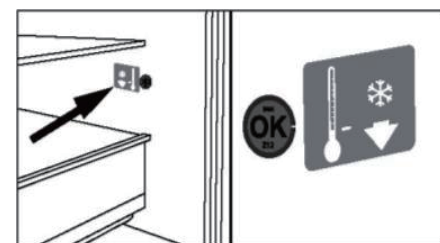
Pentru a scoate sertarul, trageți în afară până la maximum (1), ridicați și scoateți (2).

Pentru introducerea sertarului urmați pașii de mai sus în ordine inversă.



OPȚIONAL: Indicator de temperatură OK

Indicatorul de temperatură OK poate fi utilizat pentru a determina temperaturi sub +4°C. Reduceți treptat temperatura dacă semnul nu indică OK".



Lumina

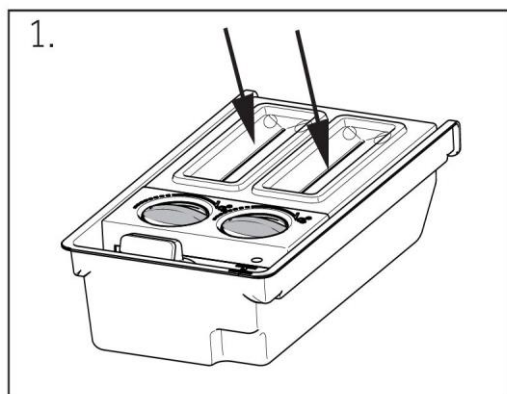
Lumina LED din interior se aprinde când ușa este deschisă și se stinge automat dacă ușa este lăsată deschisă mai mult de 7 minute. Performanța luminilor nu este afectată de nicio altă setare a aparatului.



Sfaturi de economisire a energiei

- ▶ Asigurați-vă că aparatul este ventilat corespunzător (consultați secțiunea INSTALARE).
- ▶ Nu instalați aparatul în lumina directă a soarelui sau în apropierea surselor de căldură (de ex., cuptoare, radiatoare).
- ▶ Evitați setarea temperaturilor nenecesare de scăzute în aparat. Consumul de energie crește odată cu scăderea temperaturii setate în aparat.
- ▶ Funcții precum Super-Freeze consumă mai multă energie.
- ▶ Lăsați alimentele calde să se răcească înainte de a le amplasa în aparat.
- ▶ Deschideți ușa aparatului cât mai puțin și pentru o perioadă cât mai scurtă posibil.
- ▶ Nu umpleți excesiv aparatul, pentru a evita obstrucționarea fluxului de aer.
- ▶ Evitați prezența aerului în ambalajul alimentelor.
- ▶ Mențineți garniturile ușii curate astfel încât ușa să se închidă corect întotdeauna.
- ▶ Decongeleți alimentele congelate în compartimentul de depozitare al frigiderului.
- ▶ Configurația pentru economisirea cea mai mare de energie necesită păstrarea sertarelor, cutiilor de alimente și rafturilor etc. în starea lor din fabrică, iar alimentele trebuie plasate cât mai departe posibil, fără a bloca orificiile de ieșire a aerului de pe conducta de aer.

Dispozitiv pentru cuburi de gheață

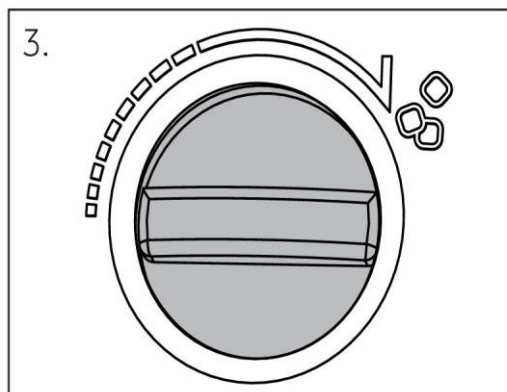


1. Se toarnă apă potabilă proaspătă în fiecare cutie pentru prepararea gheții, conform marcajelor din paharul de măsurare: Nu depășiți marcajul paharului.



Observație:

Nu stropiți cu apă zona dintre cele 2 butoane întrucât acestea pot îngheța, iar cuburile de gheață nu vor putea cădea în cutia de depozitare.



2. Puneți cutia în compartimentul congelatorului.
3. După ce apa îngheață, scoateți dispozitivul pentru cuburi de gheață și rotiți manual butonul. Apoi, bucățile de gheață vor cădea automat în cutia de gheață. Scoateți capacul și luați cuburile de gheață.



AVERTIZARE!

Deconectați aparatul de la rețeaua de alimentare înainte de curățare.

Curățare

Curățați aparatul atunci când sunt depozitate puține alimente sau când acesta este gol. Aparatul trebuie curățat o dată la patru săptămâni pentru o întreținere corectă și pentru a preveni mirosurile neplăcute cauzate de mâncarea depozitată.



AVERTIZARE!

- ▶ Nu curățați aparatul cu perii aspre, cu perii de sârmă, cu detergent pulbere, benzină, acetat de amil, acetonă sau soluții organice similare, soluții acide sau alcaline. Curățați cu detergent special pentru frigider pentru a evita deteriorările.
- ▶ Nu pulverizați și nu spălați aparatul în timpul curățării.
- ▶ Nu folosiți pulverizarea cu apă sau aburi de apă în timpul curățării aparatului.
- ▶ Nu curățați rafturile reci din sticlă cu apă fierbinte. Schimbarea bruscă de temperatură poate face ca sticla să se spargă.
- ▶ Nu atingeți suprafața interioară a compartimentului de depozitare al congelatorului, în special cu mâinile ude, deoarece mâinile pot îngheța pe suprafață.
- ▶ În cazul încălzirii, verificați starea produselor congelate.

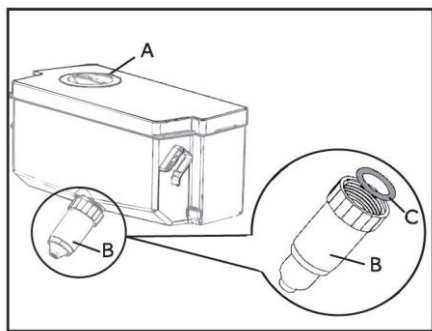


- ▶ Asigurați întotdeauna curățenia garniturii ușii.
 - ▶ Curățați interiorul și carcasa aparatului cu un burete înmuiat în apă caldă și detergent neutru.
1. Este indicat să ștergeți interiorul și exteriorul frigiderului, inclusiv garniturile ușilor, raftul de pe uși, rafturile din sticlă, cutiile și celelalte elemente, cu un prosop moale sau cu un burete înmuiat în apă caldă (puteți adăuga detergent neutru în apa caldă).
 2. Dacă se varsă lichid, îndepărtați toate părțile contaminate, clătiți direct cu jet de apă, uscați-le și puneți-le înapoi în frigider.
 3. Dacă se varsă alimente cu consistență cremoasă (cum ar fi smântâna, înghețata topită), vă rugăm să îndepărtați toate părțile contaminate, puneți-le în apă caldă la aproximativ 40 °C pentru o perioadă de timp, apoi clătiți-le cu jet de apă, uscați-le și puneți-le înapoi în frigider.
 4. În cazul în care o parte mică sau o componentă este blocată în interiorul frigiderului (între rafturi sau sertare), utilizați o perie mică și moale pentru a o elibera. Dacă nu ați putut ajunge la piesa respectivă, contactați serviciul Haier.
- ▶ Clătiți și uscați cu o cârpă moale.
 - ▶ Nu curățați nicio parte a aparatului în mașina de spălat vase.
 - ▶ Așteptați cel puțin 5 minute înainte de repornirea aparatului, deoarece pornirea frecventă poate deteriora compresorul.

Decongelarea

Decongelarea compartimentului frigiderului și congelatorului are loc automat, nefiind necesară intervenția manuală.

Curățarea rezervorului de apă



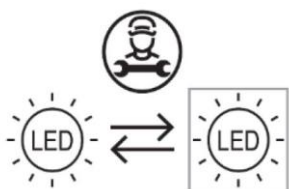
1. Scoateți rezervorul de apă din aparat
2. Îndepărtați capacul (A).
3. Deșurubați duza dozatorului (B).
4. Curățați rezervorul și duza dozatorului cu apă caldă și detergent lichid pentru vase. Asigurați-vă că săpunul este complet îndepărtat prin clătire.
5. Montați duza dozatorului (B) și aveți grijă ca acesta să fie bine înșurubat pe rezervorul de apă și ca garnitura inelară albă (C) să fie în poziția corespunzătoare.
6. Închideți capacul (A) și înlocuiți rezervorul din interiorul aparatului.



Observație: Rezervor de apă

Dacă rezervorul de apă nu este introdus corespunzător, apa poate curge pe la racord. Nu aplicați o forță excesivă atunci când scoateți sau montați la loc rezervorul de apă, pentru a evita deteriorarea acestuia.

Înlocuirea becului LED



Sursă de lumină (numai cu LED) care poate fi înlocuită de către un profesionist

Acest produs conține o sursă de lumină cu clasa de eficiență energetică G

compartiment	Tensiune	Putere maximă	Clasa de eficiență energetică	Model
Frigider	c.c. 12V	5 W	G	HCW58F18EWMP

Neutilizare pentru o perioadă lungă de timp

Dacă aparatul nu este utilizat pe o perioadă extinsă de timp și nu veți folosi funcția Holiday sau funcția de oprire a frigiderului:

- ▶ Scoateți alimentele.
- ▶ Deconecta cablul de alimentare.
- ▶ Goli și curăța rezervorul de apă.
- ▶ Curăța aparatul conform descrierii de mai sus.
- ▶ Ține ușile congelatorului deschise pentru a preveni apariția mirosurilor neplăcute în interior.



Notificare

Opriți aparatul numai dacă este strict necesar.

Mutarea aparatului

1. Scoateți toate alimentele și deconectați aparatul.
2. Securizați rafturile și restul părților mobile din frigider și congelator cu bandă adezivă.
3. Nu înclinați frigiderul la mai mult de 45°, pentru a evita deteriorarea sistemului frigorific.

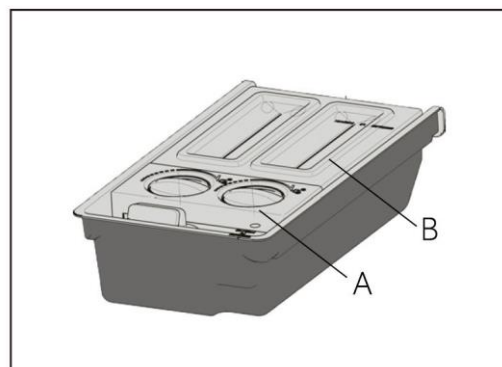


AVERTIZARE!

- ▶ Nu ridicați aparatul de mânăre.
- ▶ Nu poziționați niciodată aparatul orizontal pe sol.

Curățarea dispozitivului pentru cuburi de gheață

1. Scoateți dispozitivul pentru cuburi de gheață din aparat.
2. Îndepărtați capacul (A) și (B).
3. Curățați dispozitivul pentru cuburi de gheață cu apă caldă și detergent lichid pentru vase. Asigurați-vă că săpunul este complet îndepărtat prin clătire.
4. Închideți capacele, reumpleți cu apă potabilă și puneți dispozitivul pentru cuburi de gheață înapoi în aparat.



Multe probleme care pot apărea pot fi rezolvate de dvs., fără cunoștințe specifice. În cazul unei probleme verificați toate posibilitățile afișate și urmați instrucțiunile de mai jos înainte de a apela la un serviciu post-vânzare. Consultați secțiunea **SERVICIU PENTRU CLIENȚI**.



AVERTIZARE!

- ▶ Înainte de întreținere, dezactivați aparatul și deconectați ștecărul de la rețeaua de alimentare.
- ▶ Echipamentele electrice trebuie depanate numai de către specialiști calificați în domeniul electric, deoarece reparațiile necorespunzătoare pot provoca daune indirecte considerabile.
- ▶ Un articol furnizat deteriorat trebuie înlocuit numai de către producător, agentul său de service sau persoane calificate similare, pentru a evita orice pericol.

Problemă	Cauză posibilă	Soluție posibilă
Compresorul nu funcționează.	<ul style="list-style-type: none"> • Ștecărul de alimentare nu este conectat la priza de alimentare. • Aparatul este în ciclul de decongelare 	<ul style="list-style-type: none"> • Conectați ștecărul de alimentare. • Acest lucru este normal în cazul unei decongelări automate
Aparatul pornește frecvent sau pentru o perioadă prea mare de timp.	<ul style="list-style-type: none"> • Temperatura interioară sau exterioară este prea ridicată. • Aparatul a fost deconectat de la energia electrică pentru o perioadă de timp. • O ușă a aparatului nu este închisă etanș. • Ușa a fost deschisă prea des sau pentru o perioadă prea lungă de timp. • Setarea temperaturii pentru compartimentul congelatorului este prea joasă. • Garnitura ușii este murdară, uzată, crăpată sau așezată incorect. • Circulația necesară a aerului nu este garantată. 	<ul style="list-style-type: none"> • În acest caz, este normal ca aparatul să funcționeze mai mult timp. • În mod normal, durează între 8 și 12 ore ca aparatul să se răcească complet. • Închideți ușa/sertarul și asigurați-vă că aparatul este amplasat pe o suprafață dreaptă și că nu există vreun aliment sau recipient care să deranjeze ușa. • Nu deschideți ușa/sertarul prea des. • Setați temperatura la un valoare mai ridicată până când este obținută o temperatură satisfăcătoare a frigiderului. Durează 24 de ore ca temperatura frigiderului să se stabilizeze. • Curățați garnitura ușii/sertarului sau înlocuiți-o prin serviciul pentru clienți. • Asigurați o ventilare adecvată.
Interiorul frigiderului este murdar și/sau miroase.	<ul style="list-style-type: none"> • Interiorul frigiderului necesită curățare. • Sunt depozitate alimente cu miros puternic în frigider. 	<ul style="list-style-type: none"> • Curățați interiorul frigiderului. • Ambalați bine alimentele.

Problemă	Cauză posibilă	Soluție posibilă
În interiorul aparatului nu este suficient de rece.	<ul style="list-style-type: none"> • Temperatura setată este prea ridicată. • Au fost depozitate alimente prea calde. • Au fost depozitate prea multe alimente în același timp. • Produsele sunt prea apropiate între ele. • O ușă/un sertar al aparatului nu este închis etanș. • Ușa/sertarul a fost deschis prea des sau pentru o perioadă prea mare de timp. 	<ul style="list-style-type: none"> • Resetați temperatura. • Răciți întotdeauna produsele înainte de a le depozita. • Depozitați întotdeauna cantități mici de alimente. • Lăsați un spațiu liber între mai multe alimente pentru a permite trecerea aerului. • Închideți ușa/sertarul. • Nu deschideți ușa/sertarul prea des.
În interiorul aparatului este prea rece.	<ul style="list-style-type: none"> • Temperatura setată este prea joasă. • Funcția Super-Frz/Super-Cool este activată sau este activă de prea mult timp. 	<ul style="list-style-type: none"> • Resetați temperatura. • Opriți funcția Super-Frz/Super-Cool
Se formează umezeală în interiorul compartimentului frigiderului.	<ul style="list-style-type: none"> • Climatul este prea călduros și prea umed. • O ușă/un sertar al aparatului nu este închis etanș. • Ușa/sertarul a fost deschis prea des sau pentru o perioadă prea mare de timp. • Recipientele cu alimente sau lichide sunt lăsate deschise. 	<ul style="list-style-type: none"> • Creșteți temperatura. • Închideți ușa/sertarul. • Nu deschideți ușa/sertarul prea des. • Lăsați alimentele fierbinți să se răcească la temperatura camerei și acoperiți alimentele și lichidele.
Umezeala se acumulează pe suprafața exterioară a frigiderului sau între uși/ușă și sertar.	<ul style="list-style-type: none"> • Climatul este prea călduros și prea umed. • Ușa nu este închisă etanș. Aerul rece din aparat și aerul cald din exterior formează condens. 	<ul style="list-style-type: none"> • Acest lucru este normal într-un climat umed și se va modifica atunci când umiditatea va scădea. • Asigurați-vă că ușa/sertarul este închis etanș.
Gheață solidă în compartimentul congelatorului.	<ul style="list-style-type: none"> • Produsele nu au fost ambalate corespunzător. • O ușă/un sertar al aparatului nu este închis etanș. • Ușa/sertarul a fost deschis prea des sau pentru o perioadă prea mare de timp. • Garnitura ușii/sertarului este murdară, uzată, crăpată sau așezată incorrect. • Ceva din interior împiedică închiderea corespunzătoare a ușii/sertarului. 	<ul style="list-style-type: none"> • Ambalați întotdeauna bine produsele. • Închideți ușa/sertarul. • Nu deschideți ușa/sertarul prea des. • Curățați garnitura ușii/sertarului sau înlocuiți-o cu una nouă. • Repoziționați rafturile, rafturile de ușă sau recipientele interne pentru a permite închiderea ușii/sertarului.

Problemă	Cauză posibilă	Soluție posibilă
Lateralele dulapului și garnitura ușii se încălzesc.	<ul style="list-style-type: none"> - 	<ul style="list-style-type: none"> Acest lucru este normal.
Aparatul emite sunete anormale.	<ul style="list-style-type: none"> Aparatul nu se află pe o suprafață dreaptă. Aparatul atinge unele obiecte din jurul acestuia. 	<ul style="list-style-type: none"> Reglați suportul pentru a aduce aparatul la același nivel. Îndepărtați obiectele din jurul aparatului.
Se aude un sunet similar cu cel al apei care curge.	<ul style="list-style-type: none"> - 	<ul style="list-style-type: none"> Acest lucru este normal.
Veți auzi o alarmă sonoră.	<ul style="list-style-type: none"> Ușa compartimentului de depozitare al frigiderului este deschisă. 	<ul style="list-style-type: none"> Închideți ușa.
Veți auzi un zumzet slab.	<ul style="list-style-type: none"> Sistemul anti-condens este în funcțiune 	<ul style="list-style-type: none"> Acesta împiedică formarea condensului și este normal
Iluminarea interioară sau sistemul de răcire nu funcționează.	<ul style="list-style-type: none"> Ștecărul de alimentare nu este conectat la priza de alimentare. Sursa de alimentare nu este intactă. Becul cu led este defect. 	<ul style="list-style-type: none"> Conectați ștecărul de alimentare. Verificați sursa de alimentare cu energie electrică din cameră. Contactați compania locală de electricitate! Contactați serviciul de depanare pentru înlocuirea becului.

Pentru contactarea asistenței tehnice, vizitați site-ul nostru web:

<https://corporate.haier-europe.com/en/>

La secțiunea „website” alegeți marca produsului dvs. și țara dvs. Veți fi redirecționat către website-ul specific unde puteți găsi numărul de telefon și formularul de contactare a asistenței tehnice.

Pană de curent

În cazul unei pene de curent, alimentele ar trebui să rămână reci timp de aproximativ 5 ore. Urmați aceste sfaturi în cazul unei pene de curent prelungite, în special pe timpul verii:

- ▶ Deschideți ușa/sertarul de cât mai puține ori posibil.
- ▶ Nu puneți alimente adiționale în aparat în timpul unei pene de curent.
- ▶ În cazul în care știți că se va produce o pană de curent, iar durata acesteia va fi mai mare de 5 ore, faceți cuburi de gheață și puneți-le într-un recipient în partea de sus a compartimentului frigiderului.
- ▶ Imediat după întreruperea energiei electrice este necesară inspectarea produselor.
- ▶ Dat fiind faptul că temperatura din frigider va crește în timpul unei pene de curent sau în cazul altei defecțiuni, perioada de depozitare și calitatea alimentelor comestibile vor fi reduse. Alimentele care se decongelează trebuie consumate sau gătitе și recongelate (unde este cazul) cât mai curând după aceea, pentru a preveni apariția riscurilor pentru sănătate.

Funcția de memorare în timpul penei de curent

După restabilirea alimentării cu energie electrică, aparatul continuă să funcționeze cu setările stabilite înaintea penei de curent.

Despachetare



AVERTIZARE!

- ▶ Aparatul este greu. Manevrați-l întotdeauna cu cel puțin două persoane.
- ▶ Țineți toate materialele de ambalare la distanță de copii și eliminați-le într-un mod ecologic.
- ▶ Scoateți aparatul din ambalaj.
- ▶ Îndepărtați toate materialele de ambalare.

Condiții ambientale

Temperatura camerei trebuie să fie cuprinsă întotdeauna între 10 °C și 43 °C, deoarece poate influența temperatura din interiorul aparatului și consumul de energie al acestuia. Nu instalați aparatul în apropierea altor aparate care emit căldură (cuptoare, frigider) fără izolare.

Cerințe legate de spațiu

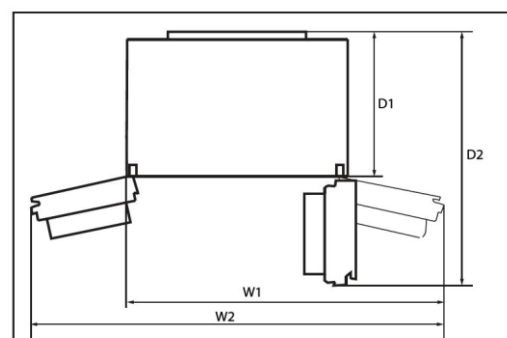
Spațiul necesar atunci când ușa este deschisă

W1=1076 mm

L2=1360 mm

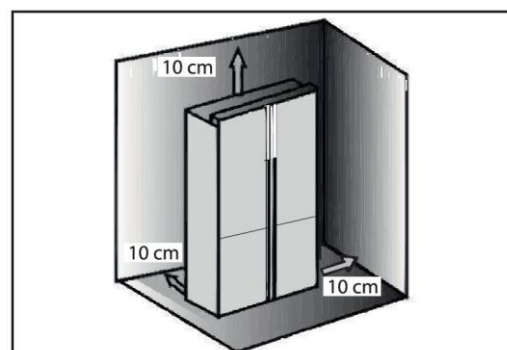
D1=628 mm

D2=1064mm



Secțiune transversală ventilare

Pentru a obține o ventilare suficientă a aparatului din motive de siguranță, trebuie respectate informațiile legate de secțiunile transversale ale ventilării necesare.

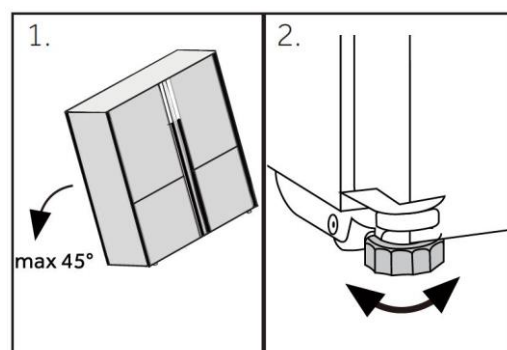


Alinierea aparatului

Aparatul trebuie amplasat pe o suprafață dreaptă și solidă.

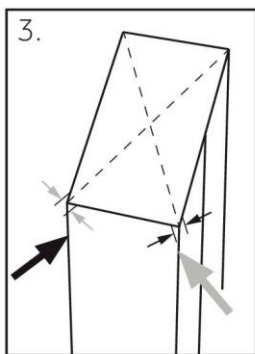
1. Înclinați frigiderul ușor înapoi.
2. Reglați picioarele la nivelul dorit.

Asigurați-vă că distanța până la peretele de pe partea balamalei este de cel puțin 10 cm pentru ca ușa să se deschidă corect.

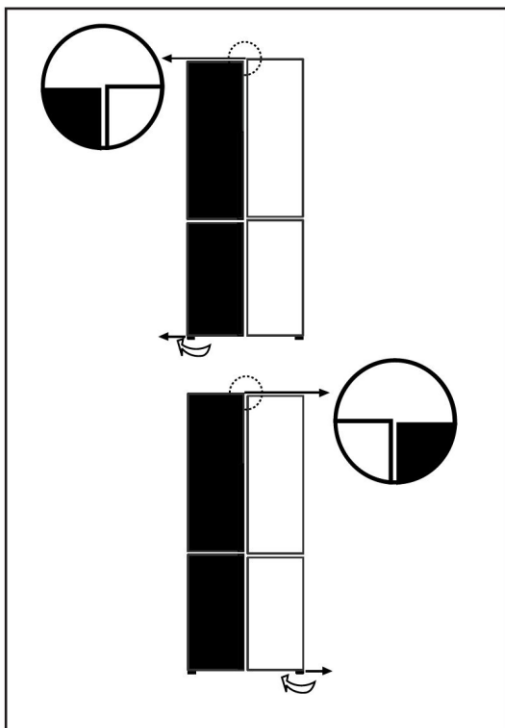


Observație:

Aparat de sine stătător: acest aparat frigorific nu este destinat utilizării ca aparat încorporabil



1. Stabilitatea poate fi verificată împingând alternativ pe diagonală. Balansarea ușoară trebuie să fie aceeași în ambele direcții. În caz contrar, cadrul se poate încovoia; drept rezultat pot apărea pierderi pe la garniturile ușii. Înclinarea ușoară spre spate favorizează închiderea ușilor.



Reglarea fină a ușilor

Dacă ușile nu sunt la același nivel, această nepotrivire poate fi remediată prin următoarele metode:

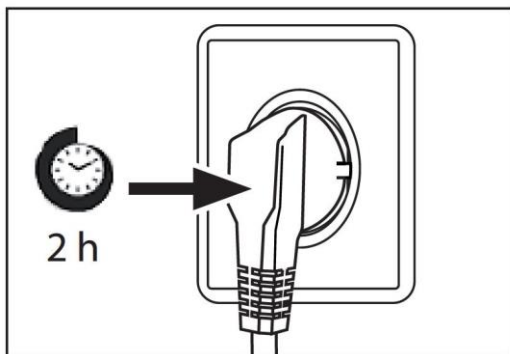
Utilizarea piciorului de reglare

Rotiți piciorul de reglare conform direcției săgeții pentru a ridica sau coborî piciorul.

Contactați serviciul post-vânzări, dacă este necesar.

i Observație:

În timpul utilizării viitoare a frigiderului, fenomenul de nealiniere a ușilor poate apărea ca urmare a greutateii alimentelor depozitate. În acest caz, ajustați în consecință prin metodele de mai sus.



Timpul de așteptare

Uleiul de ungere fără întreținere este amplasat în capsula compresorului. Uleiul respectiv poate trece prin sistemul cu țevi închis în timpul transportării înclinate. Înainte de conectarea aparatului la sursa de alimentare, trebuie să așteptați cel puțin 2 ore pentru ca uleiul să curgă înapoi în capsulă.

Conexiunea electrică

Înainte de fiecare conexiune verificați dacă:

- ▶ sursa de alimentare, priza și siguranța sunt conforme cu plăcuța cu date tehnice.
- ▶ priza de alimentare este legată la împământare și nu este de tip prize multiple sau prelungitor.
- ▶ ștecărul și priza de alimentare sunt strict conforme.


Conectați ștecărul la o priză de la domiciliu instalată corespunzător.



AVERTIZARE!

Pentru evitarea riscurilor, cablul de alimentare deteriorat trebuie înlocuit prin serviciul pentru clienți (consultați fișa de garanție).

Fișa de produs conform reglementării UE nr. 2019/2016

Marca	Haier
Numele/identificatorul modelului	HCW58F18EWMP
Categoria modelului	Combină frigorifică
Clasa de eficiență energetică	E
Consumul anual de energie (kWh/an)(1)	297
Volumul total (l)	507
Volum frigider (l)	321
Volum congelator (l)	87
Volum compartiment cu temperatură variabilă (l)	99
Clasificarea prin stele	
Temperatura altor compartimente > 14 °C	Nu se aplică
Sistem fără îngheț	Da
Capacitatea de congelare (kg/24 h)	6
Evaluare temperatură (2)	SN-N-ST
Clasa de emisii sonore și emisii de zgomote acustice aeropurtate (db(A) re 1pW)	C(38)
Timpul necesar creșterii temperaturii (h)	9
Tipul aparatului	de sine stătător
Alt informații	-

Explicații:

- Da, prezentate

- (1) Pe baza rezultatelor testului de conformitate cu standardele, cu o durată de peste 24 de ore. Consumul real depinde de utilizarea și locația aparatului.
- (2) Evaluare temperatură SN: Acest aparat este destinat utilizării la o temperatură ambientală cuprinsă între + 10°C și +32°C
Evaluare temperatură N: Acest aparat este destinat utilizării la o temperatură ambientală cuprinsă între + 16°C și +32°C
Evaluare temperatură ST: Acest aparat este destinat utilizării la o temperatură ambientală cuprinsă între + 16°C și +38°C
Evaluare temperatură T: Acest aparat este destinat utilizării la o temperatură ambientală cuprinsă între + 16°C și +43°C

Date tehnice suplimentare

Tensiune/Frecvență	220-240 V ~/50 Hz
Curentul de intrare (A)	1,5
Siguranța principală (A)	16
Răcire	R600a
Dimensiuni (Î/L/A în mm)	1775 / 830 / 705

Vă recomandăm să apelați la serviciul pentru clienți Haier și să utilizați piese de schimb originale. Dacă aveți o problemă cu aparatul, consultați mai întâi secțiunea DEPANARE.

Dacă nu găsiți nicio soluție acolo, contactați

- ▶ distribuitorul local sau
- ▶ Centrul nostru european de servicii telefonice (vedeți numerele de telefon enumerate mai jos) sau
- ▶ zona Service și Asistență pe www.haier.com, unde puteți activa cererea de service și găsi, de asemenea, întrebări frecvente.

Pentru contactarea Serviciului nostru, asigurați-vă că aveți următoarele date. Informațiile pot fi găsite pe plăcuța cu date tehnice.

Model _____

Nr. serie _____

De asemenea, verificați și fișa de garanție furnizată cu produsul, în cazul garanției.

Centrul european de servicii telefonice

Țara*	Număr de telefon	Costuri
Haier Italy (IT)	199 100 912	
Haier Spain (ES)	902 509 123	
Haier Germany (DE)	0180 5 39 39 99	<ul style="list-style-type: none">• 14 Ct/min de pe telefon fix• max 42 Ct/Min de pe mobil
Haier Austria (AT)	0820 001 205	<ul style="list-style-type: none">• 14,53 Ct/min de pe telefon fix• max 20 Ct/Min de pe toate celelalte
Haier United Kingdom (UK)	0333 003 8122	
Haier France (FR)	0980 406 409	

* Pentru alte țări, consultați www.haier.com

Haier Europe Trading S.r.l

Filiala Marea Britanie

Westgate House, Westgate, Ealing

Londra, W5 1YY

* Durata garanției aparatului frigorific:

Garanția minimă este de: 2 ani pentru țările din UE, 3 ani pentru Turcia, 1 an pentru Marea Britanie, 1 an pentru Rusia, 3 ani pentru Suedia, 2 ani pentru Serbia, 5 ani pentru Norvegia, 1 an pentru Maroc, 6 luni pentru Algeria, Tunisia nu necesită nicio garanție legală.

* Perioada de piese de schimb pentru repararea aparatului:

Termostatele, senzorii de temperatură, plăcile cu circuite imprimate și sursele de lumină sunt disponibile timp de o perioadă minimă de șapte ani de la punerea pe piață a ultimei unități a modelului. Mânerele de uși, balamalele de uși, tăvile și coșurile, timp de o perioadă minimă de șapte ani, iar garniturile de uși timp de o perioadă minimă de 10 ani de la punerea pe piață a ultimei unități a modelului.

* Pentru mai multe informații despre produs, vă rugăm consultați <https://eprel.ec.europa.eu/> sau scanați codul QR de pe eticheta energetică furnizată cu aparatul.

2022 Versiunea B

Haier Smart Home Co.,Ltd.
No.1 Haier Road,Haier Industry Park,Hi-Tech Zone,
266103 Qingdao,Shandong,China
MADE IN CHINA

Haier



0060535245



Kullanım Kılavuzu

Buzdolabı-Dondurucu

HCW58F18EWMP

TR

Haier

Bir Haier Ürünü satın aldığınız için teşekkür ederiz.

Lütfen bu cihazı kullanmadan önce bu talimatları dikkatlice okuyun. Talimatlar, cihazdan en iyi şekilde yararlanmanıza ve güvenli ve doğru kurulum, kullanım ve bakım sağlamanıza yardımcı olacak önemli bilgiler içerir.

Bu kılavuzu, cihazın güvenli ve doğru kullanımı için her zaman başvurabileceğiniz uygun bir yerde saklayın.

Cihazı satarsanız, başka birine verirsiniz veya taşınırken geride bırakırsanız, yeni sahibinin cihaza ve güvenlik uyarılarına aşına olabilmesi için bu kılavuzu da teslim ettiğinizden emin olun.

Açıklama**Uyarı - Önemli Güvenlik Bilgileri**

Genel bilgiler ve ipuçları



Çevre bilgisi

Bertaraf

Çevrenin ve insan sağlığının korunmasına yardımcı olun. Ambalajı geri dönüştürmek için uygun kaplara koyun. Elektrikli ve elektronik aletlerin atıklarının geri dönüştürülmesine yardımcı olun. Bu sembole işaretlenmiş cihazları evsel atıklarla birlikte atmayın. Ürünü yerel geri dönüşüm tesisinize iade edin veya belediye ofisinizle iletişime geçin.

**UYARI!****Yaralanma veya boğulma tehlikesi!**

Soğutucu akışkanlar ve gazlar profesyonelce bertaraf edilmelidir. Uygun şekilde atılmadan önce soğutucu devresinin borularının hasar görmediğinden emin olun. Cihazı elektrik şebekesinden ayırın. Elektrik kablosunu kesin ve atın. Çocukların ve evcil hayvanların cihaz içinde kapanmasını önlemek için tepsileri ve çekmeceleri, kapı mandalını ve contaları çıkarın.

Güvenlik bilgisi.....	4
Ürün açıklaması.....	10
Kumanda paneli.....	11
Kullanım.....	12
Ekipman.....	26
Bakım ve temizlik.....	29
Sorun Giderme.....	32
Kurulum.....	35
Teknik veriler.....	38
Müşteri hizmetleri.....	40

Aksesuarlar

Bu listeye göre aksesuarları ve literatürü kontrol edin:



Buz kepçesi ile
buz makinesi



3 ayırıcı



Enerji etiketi



Garanti belgesi



Kullanım
kılavuzu "OK"
Etiketi Kullanım
kılavuzu

Not: Yalnızca HCW58F18EWMP modeli için

Cihazı ilk kez çalıştırmadan önce aşağıdaki güvenlik ipuçlarını okuyun!:



UYARI!

İlk kullanımdan önce

- ▶ Nakliye hasarı olmadığından emin olun.
- ▶ Tüm ambalajları çıkarın ve çocukların erişemeyeceği bir yerde saklayın.
- ▶ Cihazın gücünü açmadan önce, soğutucu devresinin tam verimli hale gelmesini sağlamak için en az iki saat bekleyin.
- ▶ Ağır olduğu için cihazı her zaman en az iki kişi ile taşıyın.

Kurulum

- ▶ Cihaz iyi havalandırılan bir yere yerleştirilmelidir. Cihazın üstünde ve çevresinde en az 10 cm boşluk bırakın.
- ▶ Cihazı asla nemli bir alana veya üzerine su sıçrayabilecek bir yere koymayın. Sıçrayan suları ve lekeleri yumuşak temiz bir bezle temizleyin ve kurulayın.
- ▶ Cihazı doğrudan güneş ışığı alan bir yere veya ısı kaynaklarının (örn. soba, ısıtıcı) yakınına kurmayın.
- ▶ Cihazı, boyutuna ve kullanımına uygun bir alana kurun ve düzleştirin.
- ▶ **UYARI:** Cihazdaki veya ankastre yapıdaki havalandırma deliklerini engelden uzak tutun.
- ▶ Anma değeri plakasındaki elektrik bilgilerinin güç kaynağı ile uyumlu olduğundan emin olun. Değilse, bir elektrikçiye başvurun.
- ▶ Cihaz 220-240 VAC/50 Hz güç kaynağı ile çalıştırılır. Anormal voltaj dalgalanması, cihazın çalışmamasına veya sıcaklık kontrolünün veya kompresörün hasar görmesine neden olabilir veya çalışırken anormal bir gürültü olabilir. Bu durumda otomatik regülatör takılmalıdır.
- ▶ Çoklu fiş adaptörleri ve uzatma kabloları kullanmayın.
- ▶ **UYARI:** Cihazın arkasına birden fazla portatif priz veya portatif güç kaynağı yerleştirmeyin.
- ▶ **UYARI:** Cihazı yerleştirirken, besleme kablosunun sıkışmadığından veya hasar görmediğinden emin olun.
- ▶ Güç kablosunun üzerine basmayın.
- ▶ Güç kaynağı için kolay erişilebilen ayrı bir topraklı priz kullanın. Cihaz topraklanmalıdır.
- ▶ **Yalnızca İngiltere için:** Cihazın güç kablosu, standart bir 3 kablolu (topraklı) prize uyan 3 kablolu (topraklı) fiş ile donatılmıştır. Üçüncü pimi (topraklama) asla kesmeyin veya sökmeyin. Cihaz kurulduktan sonra fiş erişilebilir olmalıdır.
- ▶ **UYARI:** Soğutucu devresine zarar vermeyin.

**UYARI!****Günlük kullanım**

- ▶ Bu cihaz, 8 yaş ve üzeri çocuklar ve fiziksel, duyuşsal veya zihinsel yetenekleri azalmıř veya deneyim ve bilgi eksiklięi olan kiřiler tarafından, cihazın güvenli bir řekilde kullanımına iliřkin gözetim veya talimat verildiyse ve ięerdięi tehlikeleri anlıyorlarsa kullanılabilir.
- ▶ Çocuklar cihazla oynamamalıdır.
- ▶ 3-8 yař arası çocukların soęutma cihazlarını yüklemelerine ve boşaltmalarına izin verilir, ancak soęutma cihazlarını temizlemelerine ve kurmalarına izin verilmez.
- ▶ Sürekli gözetim altında olmadıkları sürece 3 yařından küçük çocukları cihazdan uzak tutun.
- ▶ Temizlik ve kullanıcı bakımı yetiřkin gözetimi olmadan çocuklar tarafından yapılamaz.
- ▶ Cihaz, fiře eriřilebilecek řekilde yerleřtirilmelidir.
- ▶ Cihazın yakınına kömür gazı veya bařka bir yanıcı gaz sızıyorsa, sızan gazın vanasını kapatın, kapı ve pencereleri açın ve buzdolabının/ dondurucunun veya herhangi bir cihazın elektrik kablosunu prizden çekmeyin.
- ▶ Cihazın, 10 ile 38°C arasındaki özel ortam sıcaklıęı aralıęında çalıştırılmak üzere ayarlandıęına dikkat edin. Cihaz, belirtilen aralıęın üstünde veya altında bir sıcaklıkta uzun süre bırakılırsa düzgün çalışmayabilir.
- ▶ Düşmeden kaynaklanan kiřisel yaralanmaları veya suyla temastan kaynaklanan elektrik çarpmasını önlemek için buzdolabının/ dondurucunun üzerine dengesiz nesnelere (aęır nesnelere, su dolu kaplar) koymayın.
- ▶ Kapı raflarını çekmeyin. Kapak eğik çekilebilir, řiře rafı dıřarı çekilebilir veya cihaz devrilebilir.
- ▶ Kapıyı sadece kulplarla açıp kapatın. Kapı ve dolap arasındaki boşluk çok dardır. Parmaklarınızı sıkıřtırmamak için ellerinizi bu alanlara koymayın. Buzdolabı/dondurucu kapılarını sadece kapı hareket alanı içinde çocuklar yokken açın veya kapatın.
- ▶ Yiyeceklerin kirlenmesini önlemek için lütfen ařaęıdaki talimatlara uyun:
 - ▶ - Kapaęın uzun süre açık kalması, cihazın bölmelerinde önemli ölçüde sıcaklık artışına neden olabilir.
 - ▶ - Gıda ile temas edebilecek yüzeyleri ve eriřilebilir drenaj sistemlerini düzenli olarak temizleyin.

**UYARI!**

- ▶ - 48 saat kullanılmamışsa temiz su depolarını temizleyin; 5 gün boyunca su çekilmemişse, bir su kaynağına bağlı su sistemini yıkayın.
- ▶ - Çiğ et ve balıkları başka yiyeceklerle temas etmeyecek ve üzerine damlamayacak şekilde buzdolabında uygun kaplarda saklayın.
- ▶ - İki yıldızlı dondurulmuş gıda bölmeleri, önceden dondurulmuş gıdaları saklamak, dondurma yapmak veya saklamak ve buz küpleri yapmak için uygundur.
- ▶ - Bir, iki ve üç yıldızlı bölmeler, taze yiyeceklerin dondurulması için uygun değildir.
- ▶ - Buzdolabı uzun süre boş bırakılacaksa, cihaz içinde küf oluşumunu önlemek için kapatın, buzunu çözün, temizleyin, kurulayın ve kapısını açık bırakın.
- ▶ Şişelenmiş bira veya içecekleri, şişe veya kutulardaki sıvıları (yüksek alkollü içkiler dışında), özellikle gazlı içecekleri asla dondurucuda saklamayın, çünkü bunlar dondurma sırasında patlayabilir.
- ▶ Bu cihazda yanıcı itici gaz içeren aerosol kutuları gibi patlayıcı maddeler saklamayın.
- ▶ Cihazda ilaç, bakteri veya kimyasal maddeler saklamayın. Bu cihaz bir ev aletidir. Katı sıcaklık gerektiren malzemelerin saklanması önerilmez.
- ▶ Dondurucuda bir ısınma gerçekleşmişse yiyeceğin durumunu kontrol edin.
- ▶ Soğutucu bölmesinde gereksiz yere düşük sıcaklık ayarlamayın. Yüksek ayarlarda eksi sıcaklıklar oluşabilir. Dikkat: Şişeler patlayabilir
- ▶ Donmuş ürünlere ıslak ellerle dokunmayın (eldiven giyin). Özellikle buzlu şekerleri dondurucu bölmesinden çıkardıktan hemen sonra yemeyin. Donma veya donma kabarcıkları oluşma riski vardır. İLK YARDIM: Hemen akan soğuk su altında tutun. Geri çekmeyin!
- ▶ Ellerinizi yüzeyde donabileceğinden, çalışırken özellikle ıslak ellerle dondurucu depolama bölmesinin iç yüzeyine dokunmayın.
- ▶ Elektrik kesintisi durumunda veya temizlemeden önce cihazın fişini çekin. Sık çalıştırma kompresöre zarar verebileceğinden, cihazı yeniden başlatmadan önce en az 7 dakika bekleyin.
- ▶ **UYARI:** Üretici tarafından önerilen tipte olmadıkça, cihazın gıda saklama bölmelerinde elektrikli cihazlar kullanmayın.

**UYARI!****Bakım / temizlik**

- ▶ Temizlik ve bakım yaparken çocukların gözetim altında olduğundan emin olun.
- ▶ Herhangi bir rutin bakım yapmadan önce cihazın elektrik bağlantısını kesin. Sık çalıştırma kompresöre zarar verebileceğinden, cihazı yeniden başlatmadan önce en az 5 dakika bekleyin.
- ▶ Cihazın fişini prizden çekerken kablodan değil fişten tutun.
- ▶ Cihazı sert fırçalar, tel fırçalar, deterjan tozu, benzin, amil asetat, aseton ve benzeri organik solüsyonlar, asit veya alkali solüsyonlarla temizlemeyin. Hasarı önlemek için lütfen özel buzdolabı/dondurucu deterjanı ile temizleyin. En son ılık su ve kabartma tozu çözeltisi kullanın (bir litre suya yaklaşık bir yemek kaşığı kabartma tozu). Su ile iyice durulayın ve kurulayın. Temizleme tozları veya diğer aşındırıcı temizleyiciler kullanmayın. Çıkarılabilir parçaları bulaşık makinesinde yıkamayın.
- ▶ Buzlanma ve buzu keskin nesnelere kazımayın. Plastik parçalara zarar vermemek için spreyleyiciler, ısıtıcı ve saç kurutma makinesi gibi elektrikli ısıtıcılar, buharlı temizleyiciler veya diğer ısı kaynaklarını kullanmayın.
- ▶ **UYARI:** Üretici tarafından önerilenler dışında, buz çözme işlemini hızlandırmak için mekanik cihazlar veya başka araçlar kullanmayın.
- ▶ Besleme kablosu hasarlıysa, bir tehlikeyi önlemek için üretici, servis acentesi veya benzer kalifiye kişiler tarafından değiştirilmelidir.
- ▶ Cihazı kendi başınıza tamir etmeye, parçalarına ayırmaya veya üzerinde değişiklik yapmaya çalışmayın. Onarım durumunda lütfen müşteri hizmetlerimizle iletişime geçin.
- ▶ Aydınlatma lambaları hasarlıysa, bir tehlikeyi önlemek için üretici, servis acentesi veya benzer kalifiye kişiler tarafından değiştirilmelidir.
- ▶ Yangın tehlikesini ve artan enerji tüketimini önlemek için ünitenin arkasındaki tozu yılda en az bir kez ortadan kaldırın.
- ▶ Temizlik sırasında cihaza bir şey püskürtmeyin veya onu yıkamayın.
- ▶ Cihazı temizlemek için su spreyi veya buhar kullanmayın.
- ▶ Soğuk cam rafları veya cam kapıyı sıcak suyla temizlemeyin. Ani sıcaklık değişimi camın kırılmasına neden olabilir.
- ▶ Cihazınızı uzun süre kullanmayacaksanız, içinde koku ve hoş olmayan kokuların oluşmasını önlemek için açık bırakın.

Soğutucu gaz bilgisi**UYARI!**

Cihaz, yanıcı soğutucu İZOBÜTAN (R600a) içerir. Nakliye veya kurulum sırasında soğutucu devresinin hasar görmediğinden emin olun. Sızan soğutucu, göz yaralanmalarına veya tutuşmaya neden olabilir. Bir hasar meydana gelirse, açık ateş kaynaklarından uzak tutun, odayı iyice havalandırın, cihazın veya başka bir cihazın güç kablolarını **takmayın** veya çıkarmayın. Müşteri hizmetlerini bilgilendirin.

Soğutucu ile göz teması halinde, hemen akan su altında yıkayın ve hemen göz uzmanını arayın.

UYARI: Soğutma sistemi yüksek basınç altındadır. Onu kurcalamayın. Yanıcı soğutucular kullanıldığından, lütfen cihazı kesinlikle talimatlara göre kurun, kullanın ve bakımını yapın ve cihazı imha etmek için profesyonel acente veya satış sonrası servisimizle iletişime geçin.

**UYARI!**

Buzlu su işlevli buzdolapları için lütfen aşağıdaki uyarıya dikkat edin:

Su kaynağına bağlanması amaçlanmayan cihazlar için:

UYARI: Sadece içme suyu ile doldurun.

Su kaynağına bağlanması amaçlanan cihazlar için:

UYARI: Sadece içme suyu kaynağına bağlayın.

Su sisteminizi temizlemek istiyorsanız, lütfen Kullanım Kılavuzuna bakın.

Herhangi bir sorunuz varsa, lütfen satış sonrası servisle iletişime geçin.

Kullanım amacı

Bu cihaz, yiyecekleri soğutmak ve dondurmak için tasarlanmıştır. Bu cihaz mağazalar, ofisler ve diğer çalışma ortamlarındaki personel mutfak alanları; çiftlik evleri ve pansiyon ve yemek hizmetleri işinin yanı sıra oteller, moteller ve diğer konut tipi ortamlardaki müşteriler tarafından olmak üzere ev içi ve benzeri uygulamalarda kullanılmak üzere özel olarak tasarlanmıştır. Ticari veya endüstriyel kullanım için tasarlanmamıştır.

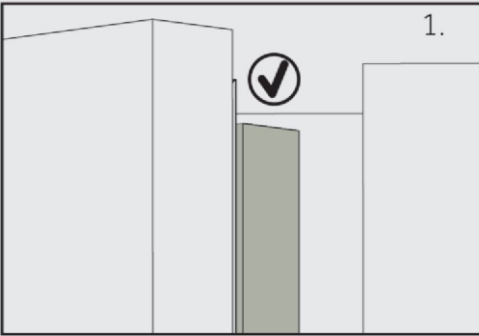
Cihazda değişiklik veya modifikasyon yapılmasına izin verilmez. Amaç dışı kullanım, tehlikelere ve teminat taleplerinin kaybına neden olabilir.

Standartlar ve direktifler **CE** ve **UKCA**

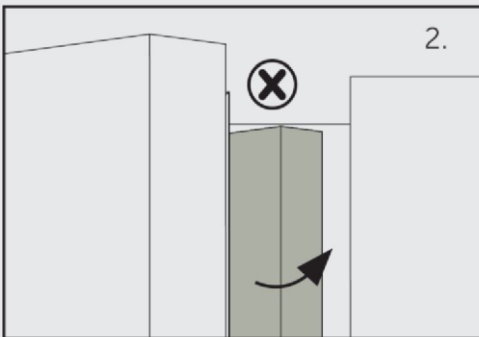
Bu ürün, CE ve UKCA işareti sağlayan ilgili uyumlaştırılmış standartlar ve Birleşik Krallık standartlarıyla birlikte geçerli tüm EC direktiflerinin gereksinimlerini karşılar.



DİKKAT!



Kapıyı kapattığınızda, buzdolabı sol kapısındaki dikey kapı çitası içe doğru bükülmelidir (1).



Sol kapıyı kapatmaya çalışırsanız ve dikey kapı şeridi bükülmemişse (2), önce onu bükmelisiniz, aksi takdirde kapı şeridi sabitleme miline veya sağ kapıya çarpacaktır. Böylece kapıda bir hasar kayması veya sızıntı meydana gelecektir.

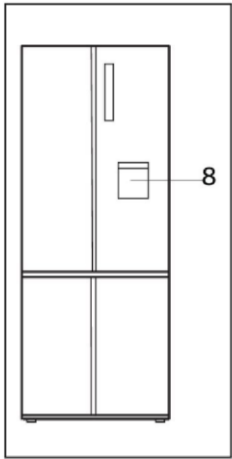
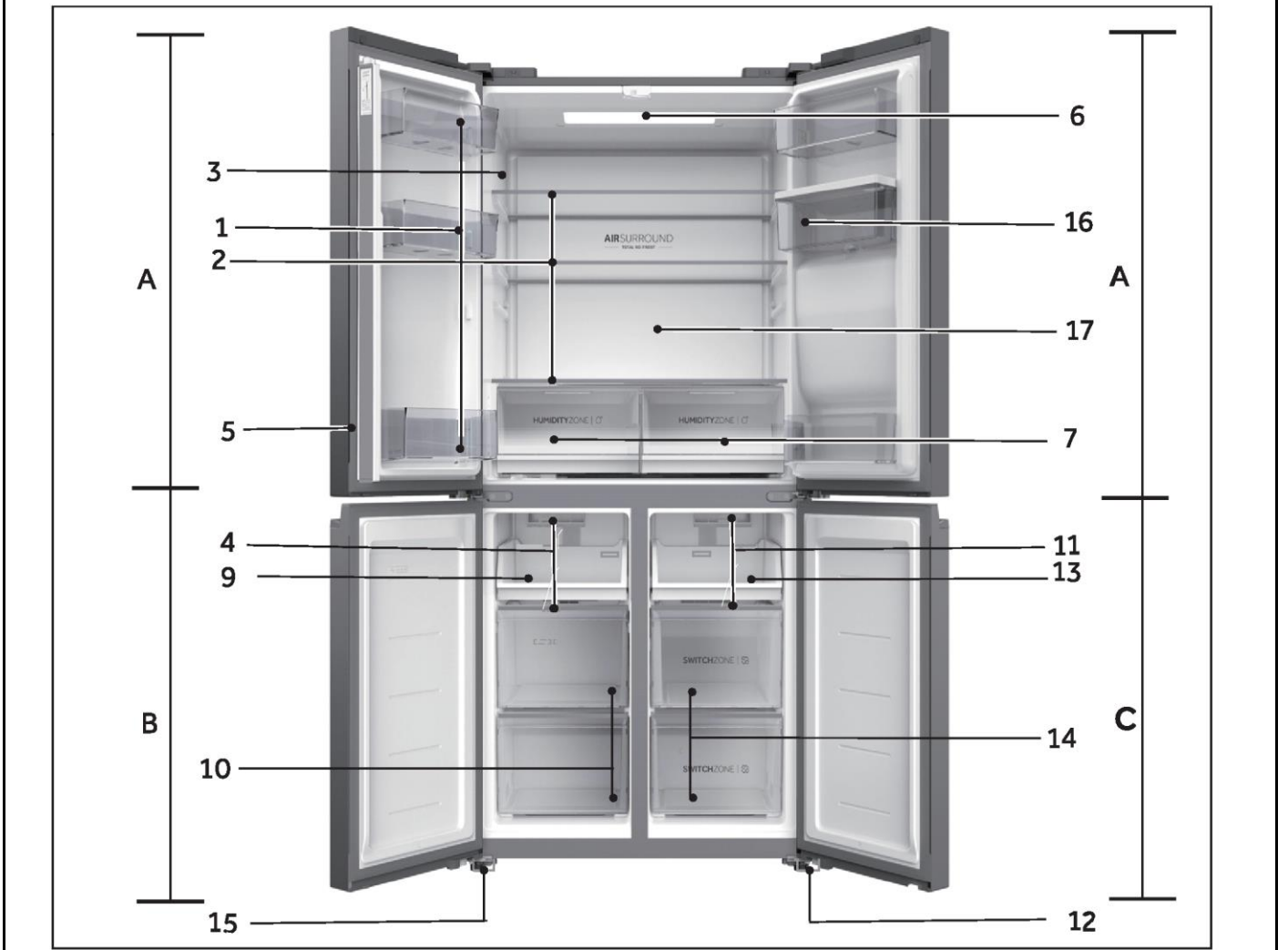
Çerçevenin içinde bir ısıtma ipliği vardır. Yüzey sıcaklığı biraz artacaktır, bu normaldir ve cihazın işlevini etkilemez.



Açıklama

Teknik değişiklikler ve farklı modeller nedeniyle bu kılavuzdaki bazı resimler sizin modelinizden farklı olabilir.

Model (HCW58F18EWMP)



A: Soğutucu bölümü

- 1 Kapı rafı
- 2 Dolap rafı
- 3 Derecelendirme plakası
- 5 Kapı şeridi
- 6 Tavan lambası
- 7 Humidity zone çekmecesini
- 8 Su dağıtıcısı
- 16 Su tankı
- 17 Havalandırma kanalı

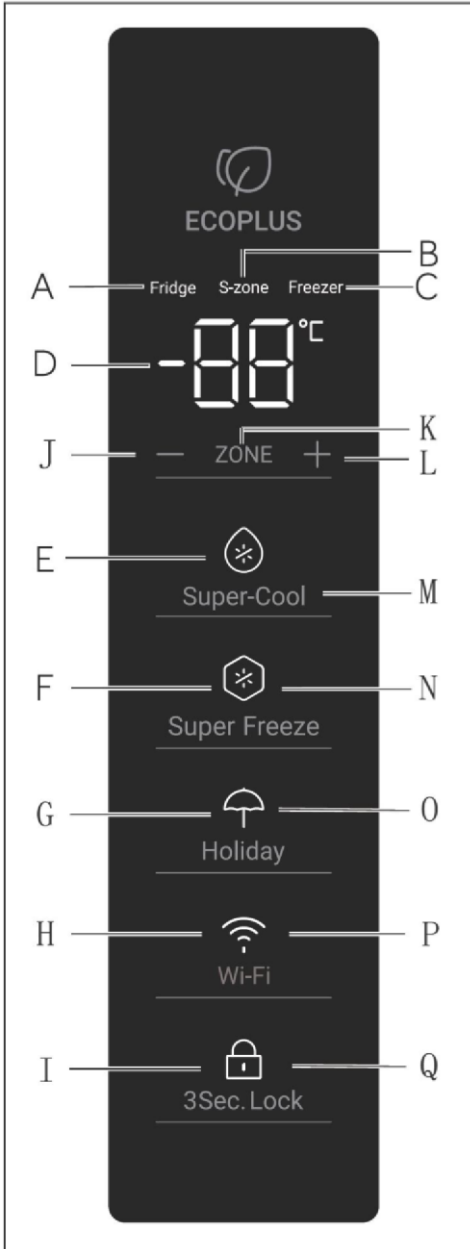
B: Dondurucu bölümü

- 4 Havalandırma kanalı
- 9 Saklama tepsi
- 10 Saklama çekmecesini
- 15 Ayarlanabilir ayak

C: Switch Zone bölümü

- 11 Havalandırma kanalı
- 12 Ayarlanabilir ayak
- 13 Saklama tepsi
- 14 Switch Zone saklama çekmecesini

Kumanda paneli (HCW58F18EWMP)



Gösterge:

- A Buzdolabı Bölmesi
- B Switch Zone
- C Dondurucu Bölmesi
- D Sıcaklık göstergesi
- E Super Cool işlevi
- F Super Freeze işlevi
- G Holiday modu
- H Wi-Fi işlevi | Panel kilidi

Düğmeler:

- J Sıcaklık kontrolü "-"
- K Bölme seçimi
- L Sıcaklık kontrolü "+"
- M Super Cool işlevi seçici
- N Super Freeze işlevi seçici
- O Holiday modu seçici
- P Wi-Fi işlevi açık/kapalı
- Q Panel kilidi seçici

İlk kullanımdan önce

- Tüm ambalajlar malzemelerini çıkarın, çocukların erişemeyeceği bir yerde saklayın ve çevreye zarar vermeyecek şekilde atın.
- İçine yiyecek koymadan önce cihazın içini ve dışını su ve hafif bir deterjanla temizleyin.
- Cihaz seviyelendirilip temizlendikten sonra, güç kaynağına bağlamadan önce en az 2-5 saat bekleyin. KURULUM Bölümüne bakın.
- Yiyecekleri yüklemeyen önce bölmeleri yüksek ayarlarda önceden soğutun. Power-Freeze işlevi, bölmelerin hızlı bir şekilde soğutulmasına yardımcı olur.
- Buzdolabı sıcaklığı, Switch Zone sıcaklığı ve dondurucu sıcaklığı sırasıyla 5°C, -18°C ve -18°C'ye otomatik olarak ayarlanır. Bunlar önerilen ayarlardır. İsterseniz, bu sıcaklıkları manuel olarak değiştirebilirsiniz. Lütfen SICAKLIĞI AYARLAMA bölümüne bakın.

Sensör tuşları

Kumanda panelindeki düğmeler, parmakla hafifçe dokunulduğunda tepki veren sensörlü tuşlardır.

Cihazı açma/kapatma

Cihaz, güç kaynağına bağlanır bağlanmaz çalışmaya başlar.

Buzdolabı ilk çalıştırıldığında gösterge "D" (Sıcaklık göstergesi) yanar. Buzdolabı sıcaklığı, Switch Zone sıcaklığı ve dondurucu sıcaklığı sırasıyla 5°C, -18° C ve -18° C'ye otomatik olarak ayarlanır.

Panel kilidi aktif olabilir.



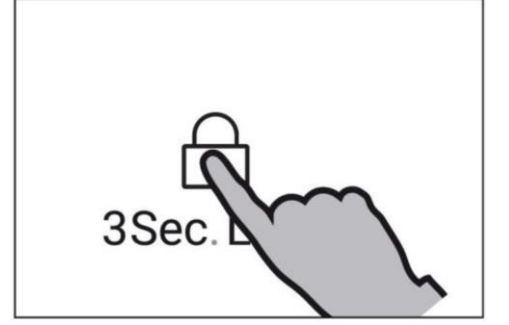
Açıklama

Cihaz, önerilen 5°C (buzdolabı), -18°C, (Switch Zone) ve - 18°C (dondurucu) sıcaklıklarına önceden ayarlanmıştır. Normal ortam koşullarında bir sıcaklık ayarlamana gerek yoktur. Ana güç kaynağıyla bağlantısı kesildikten sonra cihaz açıldığında, doğru sıcaklıklara ulaşılması 12 saate kadar sürebilir.

Cihazı kapatmadan önce boşaltın. Cihazı kapatmak için güç kablosunu prizden çekin.

Paneli kilitleme/kilidini açma

Bir tuşa basıldıktan 30 saniye sonra görüntü ekranı otomatik olarak kapanır. Ekran otomatik olarak kilitlenecektir. Herhangi bir tuşa basıldığında veya herhangi bir kapı açıldığında otomatik olarak yanar.



Açıklama

Buzdolabı sıcaklığı, Switch Zone sıcaklığı, Dondurucu sıcaklığı, Super Cool işlevi, Super Freeze işlevi, Holiday modu, Wi-Fi işlevi kilitli durumda ayarlanamaz.

Bekleme modu

Bir tuşa basıldıktan 30 saniye sonra görüntü ekranı otomatik olarak kapanır. Ekran otomatik olarak kilitlenecektir. Herhangi bir tuşa dokunulduğunda veya kapı açıldığında otomatik olarak yanar. (Alarm, ekranı aydınlatmaz).

Manuel ayarlama modu

Cihazın sıcaklığını manuel olarak ayarlamak isterseniz, sıcaklık ayar düğmesini ayarlayabilirsiniz (SICAKLIĞI AYARLAMA bölümüne bakın).

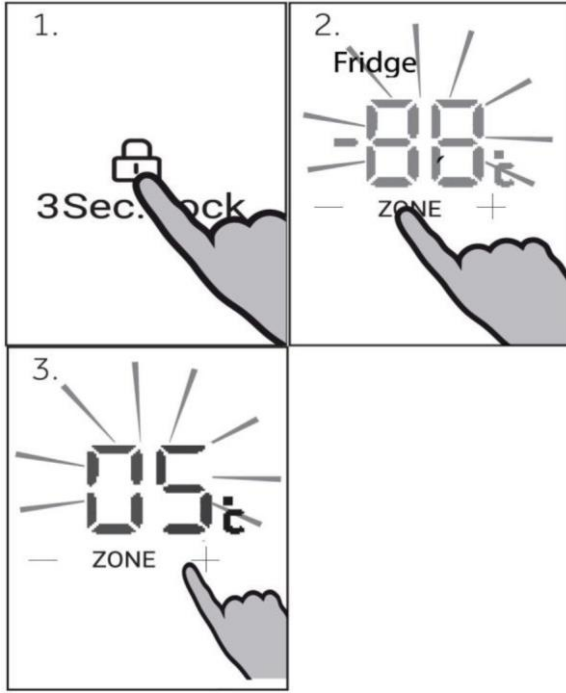
Sıcaklığı ayarlayın

İç ortam sıcaklıkları aşağıdaki faktörlerden etkilenir:

- Ortam sıcaklığı
- Kapı açma sıklığı
- Depolanan gıda miktarı
- Cihazın kurulumu

Kapı alarmı

Kapı uzun süre açıldığında veya düzgün kapanmadığında, bir hatırlatma olarak kapı alarmı tetiklenir.



Buzdolabı için sıcaklığı ayarlayın

3 saniye boyunca "Q" tuşuna uzun basarak ayarların kilidini açın.

Kilit açma durumunda, bölmeler arasında geçiş yapmak için "K" (Bölme seçimi) tuşuna basın. Gösterge "A" (Buzdolabı bölmesi göstergesi) yandığında, buzdolabı bölmesi sıcaklığını ayarlamak için "J" tuşuna (Sıcaklık kontrolü "-") veya "L" (Sıcaklık kontrolü "+") tuşuna basın. "J" tuşuna her basıldığında "D" göstergesinde görüntülenen değer 1 °C azalır.

Ekran yanıp söner ve ayarlanan sıcaklıkta sabit kalır, ardından birkaç saniye sonra söner. Buna göre "L" tuşuna her basıldığında "D" göstergesinde görüntülenen değer 1 °C artar. Ekran yanıp söner ve ayarlanan sıcaklıkta sabit kalır, ardından birkaç saniye sonra söner. Buzdolabı bölmesi sıcaklığı 1°C ile 9°C arasında 1°C'lik artışlarla ayarlanabilir.



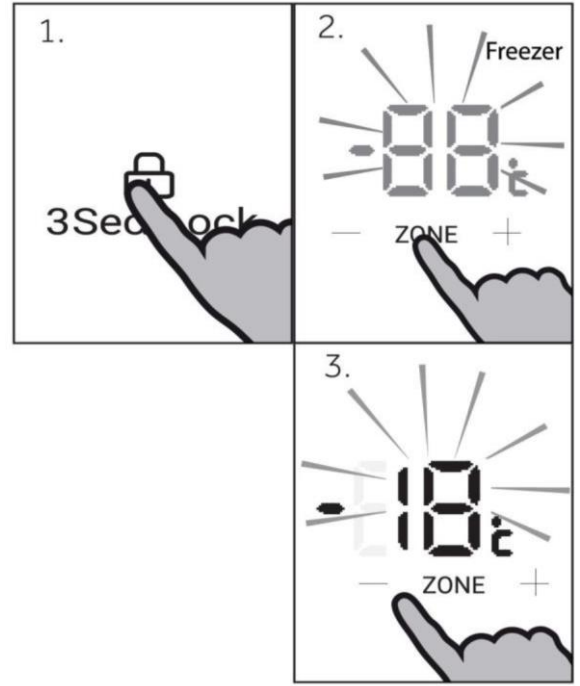
Açıklama

Super Cool, Holiday ve kilitli durumundayken buzdolabı sıcaklığı ayarlanamaz.

Dondurucu için sıcaklığı ayarlayın

3 saniye boyunca "Q" tuşuna uzun basarak ayarların kilidini açın.

Kilit açma durumunda, bölmeler arasında geçiş yapmak için "K" (Bölme seçimi) tuşuna basın. Gösterge "C" (Dondurucu Bölmesi göstergesi) yandığında, Dondurucu bölümü sıcaklığını ayarlamak için "J" (Sıcaklık kontrolü "-") veya "L" (Sıcaklık kontrolü "+") tuşuna basın. "J" tuşuna her basıldığında "D" göstergesinde görüntülenen değer 1 °C azalır. Ekran yanıp söner ve ayarlanan sıcaklıkta sabit kalır, ardından birkaç saniye sonra söner. Buna göre "L" tuşuna her basıldığında "D" göstergesinde görüntülenen değer 1 °C artar. Ekran yanıp söner ve ayarlanan sıcaklıkta sabit kalır, ardından birkaç saniye sonra söner. Dondurucu bölümü sıcaklığı -14°C ile -24°C arasında 1°C'lik artışlarla ayarlanabilir.



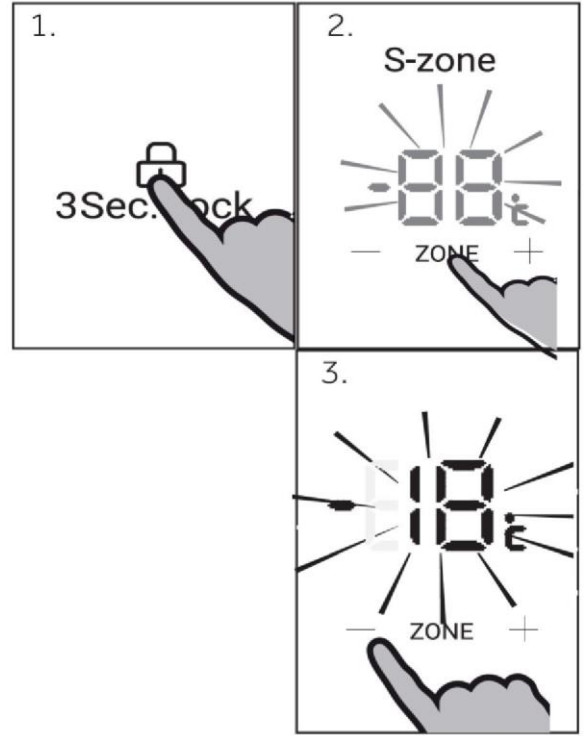
Açıklama

Super Freeze ve kilit durumundayken dondurucu sıcaklığı ayarlanamaz.

Switch Zone sıcaklığını ayarlayın

3 saniye boyunca "Q" tuşuna uzun basarak ayarların kilidini açın.

Kilit açma durumunda, bölmeler arasında geçiş yapmak için "K" (Bölme seçimi) tuşuna basın. Gösterge "B" (Switch Zone göstergesi) yandığında, Switch Zone bölgesi sıcaklığını ayarlamak için "J" tuşuna (Sıcaklık kontrolü "-") veya "L" tuşuna (Sıcaklık kontrolü "+") basın. "J" tuşuna her basıldığında "D" göstergesinde görüntülenen değer 1 °C azalır. Ekran yanıp söner ve ayarlanan sıcaklıkta sabit kalır, ardından birkaç saniye sonra söner. Buna göre "L" tuşuna her basıldığında "D" göstergesinde görüntülenen değer 1 °C artar. Ekran yanıp söner ve ayarlanan sıcaklıkta sabit kalır, ardından birkaç saniye sonra söner. Switch Zone bölgesi sıcaklığı 5 °C ile -18 °C arasında 1 °C'lik artışlarla ayarlanabilir.



Açıklama

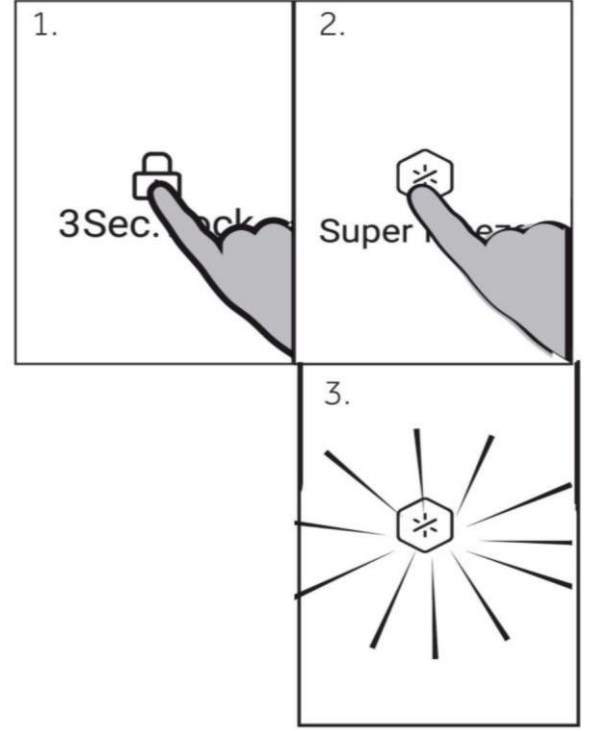
Switch Zone sıcaklığı kilit durumunda ayarlanamaz.

Super Freeze işlevi

Super Freeze işlevi, gıdanın en iyi besin değerini, görünümünü ve tadını korumak için dondurma işlemini hızlandırarak taze gıdayı en kısa sürede özüne kadar dondurabilir. Bir defada çok miktarda yiyecek dondurmanız gerekiyorsa, dondurucu bölmesini kullanmadan önce Super Freeze işlevini 24 saat önceden ayarlamanız önerilir.

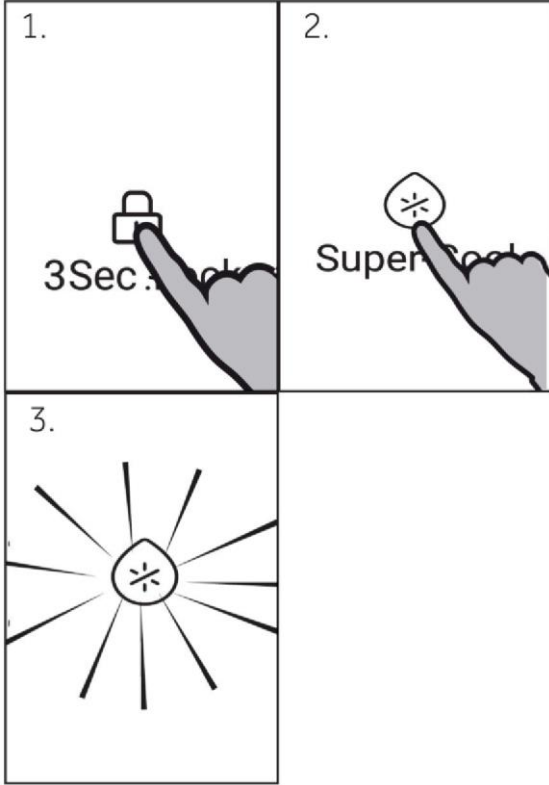
3 saniye boyunca "Q" tuşuna uzun basarak ayarların kilidini açın.

Kilit açma durumunda, "N" (Super Freeze işlevi seçici) tuşuna basın, "F" göstergesi (Super Freeze işlevi göstergesi) yanar, ürün Super Freeze moduna girer. Ürün, 50 saatlik aktivasyondan sonra Super Freeze modundan otomatik olarak çıkar. Super Freeze modundan manuel olarak çıkmak için, kilit açma durumunda "N" (Super Freeze işlevi seçici) tuşuna basın, "F" göstergesi (Super Freeze işlevi göstergesi) söner, ürün Super Freeze modundan çıkar.



Açıklama

Super Freeze modunda, "J" tuşu (Sıcaklık kontrolü "-") ve "L" tuşu (Sıcaklık kontrolü "+"), dondurucu bölmesi seçildiğinde ve dondurucu bölmesi sıcaklığı ayarlanamadığında kilitlenir.



Super Cool işlevi

Yiyecekleri buzdolabı bölmesine koyduktan sonra hızlı bir şekilde soğutmak isterseniz Super Cool işlevini etkinleştirebilirsiniz.

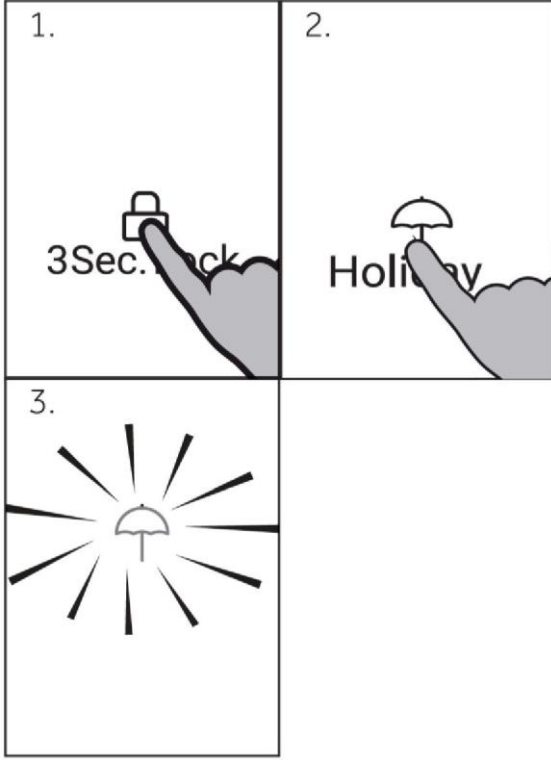
3 saniye boyunca "Q" tuşuna uzun basarak ayarların kilidini açın.

Kilit açma durumunda, "M" (Super Cool işlevi seçici) tuşuna basın, "E" göstergesi (Super Cool işlevi göstergesi) yanar, ürün Super Cool moduna girer. Ürün, 6 saatlik aktivasyondan sonra Super Cool modundan otomatik olarak çıkar. Super Cool modundan manuel olarak çıkmak için, kilit açma durumunda "M" (Super Cool işlevi seçici) tuşuna basın, "E" göstergesi (Super Cool işlevi göstergesi) söner, ürün Super Cool modundan çıkar.



Açıklama

Holiday modu seçildiğinde Super Cool işlevi otomatik olarak devre dışı kalır. Super Cool modunda, T tuşu (Sıcaklık kontrolü "-") ve "L" tuşu (Sıcaklık kontrolü "+"), buzdolabı bölmesi seçildiğinde ve buzdolabı bölmesi sıcaklığı ayarlanamadığında kilitlenir.



Holiday Modu

Holiday modunda, buzdolabı bölmesi otomatik olarak 17° C'ye (enerji tasarrufu için) ayarlanırken, Switch Zone ve dondurucu bölmesi normal sıcaklık ayarlarında çalışır.

3 saniye boyunca "Q" tuşuna uzun basarak ayarların kilidini açın.

Kilit açma durumunda, "O" (Holiday modu seçici) tuşuna basın, "G" (Holiday modu göstergesi) göstergesi yanar, ürün Holiday moduna girer; çıkmak için "O" tuşuna (Holiday modu seçici) basın, "G" göstergesi söner ve ürün Holiday modundan çıkar.



Açıklama

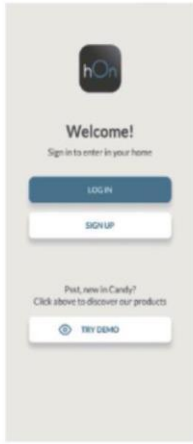
Super Cool işlevi etkinleştirildiğinde Holiday modundan otomatik olarak çıkar. Holiday modunda, "J" tuşu (Sıcaklık kontrolü "-") ve "L" tuşu (Sıcaklık kontrolü "+"), buzdolabı bölmesi seçildiğinde ve buzdolabı bölmesi sıcaklığı ayarlanamadığında kilitlenir.

Wi-Fi modu ayarı**UYGULAMA İÇİ EŞLEŞTİRME PROSEDÜRÜ**

Adım 1 • Mağazalardan hOn uygulamasını indirin



Adım 2 hOn Uygulamasında hesabınızı oluşturun veya zaten bir hesabınız varsa giriş yapın



Adım 3 hOn Uygulamasındaki eşleştirme talimatlarını izleyin

**WiFi İşlevi**

Wi-Fi henüz yapılandırılmamışsa, buzdolabı ilk kez açıldığında otomatik olarak yapılandırma moduna girecek ve bu durumu 30 dakika boyunca koruyacaktır.

Wi-Fi simgesi "H" hızla yanıp söner ve ürün kaydı başlayabilir.

1. Wi-Fi'yi yapılandırmak için uygulamada verilen talimatları izleyin.
2. Wi-Fi yapılandırıldığında ve bağlantı kurulduğunda, Wi-Fi simgesi "H" açılır ve sabit olarak yanar.
3. Herhangi bir işlem yapılmadan 30 dakika geçtikten sonra Wi-Fi otomatik olarak yapılandırma modundan çıkacaktır.
4. Wi-Fi zaten yapılandırılmışsa, Wi-Fi açıldığında yapılandırma bilgilerine göre otomatik olarak yeniden bağlanacaktır.

**Açıklama**

1. Bu ürün ticari kullanım için tasarlanmamıştır.
2. Verici çalışma frekansı: 2400 MHz~2483,5 MHz
3. Verici maksimum çıkış gücü: 20dBm



Açıklama

1. Wi-Fi'yi kapatmak için Wi-Fi tuşuna "P" basın ve Wi-Fi simgesi "H" kapanır.
2. Wi-Fi'yi açmak ve yapılandırmayı başlatmak için Wi-Fi tuşuna "P" basın ve Wi-Fi simgesi "H" yavaşça yanıp sönmeye başlar. Wi-Fi işlevini kapatmak istiyorsanız, "P" tuşuna bir kez basın. Wi-Fi işlevini yapılandırmak istiyorsanız, "P" tuşuna 3 saniye (ancak 20 saniyeden az) basın ve sesli bir sinyal verilir, Wi-Fi simgesi hızlı bir şekilde yanıp söner ve yapılandırma moduna girer. Yukarıdaki adımlar tekrarlanır.
3. Ürün yapılandırılmışsa ve Wi-Fi işlevi kapatılmışsa, buzdolabı güce yeniden bağlandıktan sonra yapılandırma moduna girmeyecektir.
4. Wi-Fi yapılandırıldığında ve bağlantı kurulduğunda, Wi-Fi simgesi "H" açılır ve sabit olarak yanar.

Kapı alarmı

Kapı uzun süre açıldığında veya düzgün kapanmadığında, bir hatırlatma olarak kapı alarmı tetiklenir.

SOL BUZDOLABI KAPISI

SAĞ BUZDOLABI KAPISI

DONDURUCU KAPISI

SWITCH ZONE KAPISI

Su dağıtıcısı

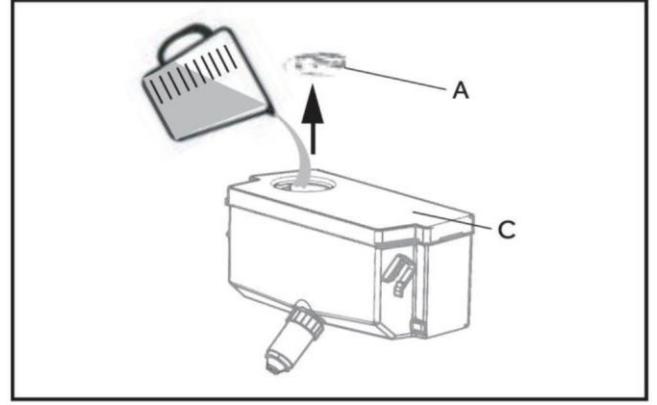
Su dağıtıcısı ile soğuk içme suyu alınabilir.

Su deposu ilk kullanımdan önce temizlenmelidir (bkz. BAKIM VE TEMİZLİK).

Su deposunun doldurulması**UYARI!**

Sadece içme suyu ile doldurun.

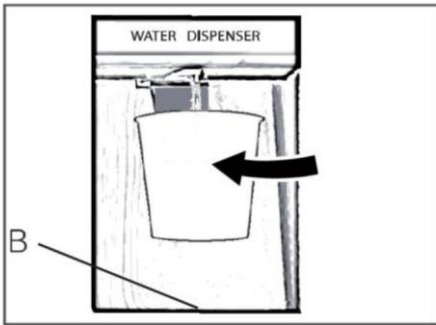
1. Suyun düzgün bir şekilde yerleştirildiğinden emin olun (bkz. EKİPMAN)
2. Yuvarlak kapağı (A) döndürüp kaldırın ve su tankını temiz içme suyuyla doldurun.
3. Kapı açılıp kapandığında taşabileceği için sadece işarete (2.51) kadar su doldurun.
4. Yuvarlak kapağı (A) yerine oturana kadar kapatın.

**Açıklama: Su dağıtıcısı**

Yeniden doldurmadan önce kalan suyu atın ve depoyu temizleyin.

Uzun süre suya ihtiyacınız olmadığında, lütfen su tankını boşaltın ve temizlenmiş tankı takın.

Su tankı üzerindeki kapak (C) ayrıca enerji tasarrufu için kullanılmaktadır. Su dağıtıcısından uzun süre su almak istemiyorsanız, daha iyi yalıtım ve enerji tasarrufu için lütfen yine de kapağı takın.

**Dağıtıcıdan su almak**

1. Su çıkışının altına bir bardak yerleştirin.
2. Su dağıtıcısı koluna doğru hafifçe itin. Suyun dışarı sıçramasını önlemek için camın dağıtıcıyla aynı hizada olduğundan emin olun.
3. Kapı açılıp kapanırken taşabileceğinden tepsideki (B) su zamanında boşaltılmalıdır.

Taze yiyecekleri saklamayla ilgili ipuçları

Soğutucu bölümünde saklama

- ▶ Buzdolabınızın sıcaklığını 5°C'nin altında tutun.
- ▶ Sıcak yiyecekler cihaza yerleştirilmeden önce oda sıcaklığına soğutulmalıdır.
- ▶ Buzdolabında saklanan yiyecekler saklanmadan önce yıkanmalı ve kurutulmalıdır.
- ▶ Saklanacak yiyecekler, koku veya tat değişikliklerini önlemek için uygun şekilde kapatılmalıdır.
- ▶ Aşırı miktarda yiyecek saklamayın. Daha iyi ve daha homojen bir soğutma için yiyecekler arasında soğuk havanın dolaşmasına izin verecek boşluklar bırakın.
- ▶ Günlük yenen yiyecekler rafın ön tarafında saklanmalıdır.
- ▶ Yiyecekler ile iç duvarlar arasında hava akışına izin verecek bir boşluk bırakın. Özellikle yiyecekleri arka duvara dayalı olarak saklamayın: yiyecekler arka duvara yaslanarak donabilir. Yağ/asit iç kaplamayı aşındırabileceğinden, yiyeceklerin (özellikle yağlı veya asitli yiyecekler) iç kaplamayla doğrudan temasından kaçının. Yağ/asit kiri bulunduğunda temizleyin.
- ▶ Dondurulmuş yiyecekleri buzdolabı saklama bölümünde çözün. Bu sayede donmuş gıdayı bölme içindeki sıcaklığı düşürmek ve enerji tasarrufu sağlamak için kullanabilirsiniz.
- ▶ Kabak, kavun, papaya, muz, ananas gibi meyve ve sebzelerin yaşlanma süreci buzdolabında hızlanabilir. Bu nedenle, buzdolabında saklanması tavsiye edilmez. Bununla birlikte, fazlasıyla yeşil meyvelerin olgunlaşması belirli bir süre için teşvik edilebilir. Soğan, sarımsak, zencefil ve diğer kök sebzeler de oda sıcaklığında saklanmalıdır.
- ▶ Buzdolabının içindeki hoş olmayan kokular, bir şeyin döküldüğünün ve temizlenmesi gerektiğinin bir işaretidir. Bkz. BAKIM VE TEMİZLİK.
- ▶ Farklı gıdalar özelliklerine göre farklı alanlara yerleştirilmelidir:

i Açıklama

Soğutma etkisini sağlamak için lütfen konulan yiyecek ile hava kanalı veya sensörler arasındaki mesafeyi 10 mm'den fazla tutun.



1. Tereyağı, peynir vb.
2. Yumurta, konserve kutular, konserve yiyecekler, baharat vb.
3. İçecekler ve şişelenmiş yiyecekler.
4. Salamura yiyecekler, konserve yiyecekler vb.
5. Et ürünleri, atıştırmalık yiyecekler, makarna, konserve yiyecekler, süt, tofu, süt ürünleri vb.
6. Pişmiş et, sosis vb.
7. Humidity zone çekmecesini: Meyve, sebze, salata vb.
8. Humidity zone çekmecesini: Meyve, sebze, salata vb.

Switch Zone bölmesinde saklama

Switch Zone bölümü, gıda saklama talebine göre sıcaklığı -18° C ile 5° C arasında ayarlamana olanak tanır ve rahatınız için saklama seçeneklerinde size daha fazla esneklik sağlar.

-18°C	1-12 ay arasında saklama gerektiren genel dondurulmuş gıda maddeleri için.	Et, kümes hayvanları, deniz ürünleri, önceden pişirilmiş yiyecekler ve artıklar, bazı meyve ve sebzeler, dondurma ve diğer dondurulmuş tatlılar.
-7°C	Yiyeceklerin kolayca porsiyonlanmasına ve yiyeceklerin çözülmesini beklemeden doğrudan bölmeden ısıtılmasına, pişirilmesine veya servis edilmesine olanak tanır.	Etler, deniz ürünleri, çorbalar, soslar, püreler, ekmekler, tatlılar ve hamur işleri. Not: Dondurma gibi kremalı tatlıların saklanması için önerilir.
0°C	Canlı tazeliklerini ve kalitelerini korumalarını sağlamak için son derece çabuk bozulan yiyecekler için mükemmel depolama bölgesi sağlamak.	Çabuk bozulan etler, kümes hayvanları ve deniz ürünleri. Bira gibi alkollü içecekler.
5°C	Meyve ve sebzeler gibi taze yiyecekler, süt ürünleri, etler ve içecekler için ideal mod.	Meyve ve sebzeler, süt ürünleri, reçeller ve acı soslar/ konserveler, etler ve içecekler.

Dondurucu bölmesinde saklama

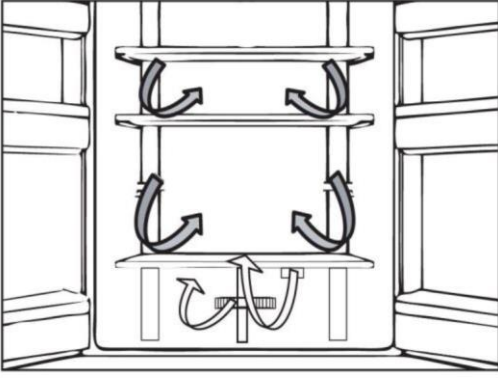
- ▶ Dondurucu sıcaklığını - 18°C'de tutun.
- ▶ Dondurmadan 24 saat önce Super-freeze işlevini açın; az miktarda yiyecek için 4-6 saat yeterlidir.
- ▶ Sıcak yiyecekler, dondurucu bölmesine yerleştirilmeden önce oda sıcaklığına soğutulmalıdır.
- ▶ Küçük porsiyonlar halinde kesilen yiyecekler daha hızlı donacak ve buzunun çözülüp pişirilmesi daha kolay olacaktır. Her porsiyon için önerilen ağırlık 2,5 kg'dan azdır.
- ▶ Yiyecekleri dondurucuya koymadan önce paketlemek daha iyidir. Torbaların birbirine yapışmasını önlemek için ambalajın dışı kuru olmalıdır. Ambalaj malzemeleri kokusuz, hava geçirmez, zehirsiz ve zararsız olmalıdır.
- ▶ Saklama sürelerinin dolmaması için, farklı gıdaların saklama sürelerine göre gıdanın ambalaj üzerindeki dondurma tarihini, süre sınırını ve ismini lütfen not edin.
- ▶ **UYARI!:** Asit, alkali ve tuz vb. dondurucunun iç yüzeyini aşındırabilir. Bu maddeleri içeren yiyecekleri (örn. deniz balığı) doğrudan iç yüzeye koymayın. Dondurucudaki tuzlu su hemen temizlenmelidir.
- ▶ Üreticiler tarafından tavsiye edilen gıda saklama sürelerini aşmayın. Dondurucudan sadece gerekli miktarda yiyecek alın.
- ▶ Çözülmüş yiyecekleri hızlıca tüketin. Buzu çözülmüş yiyecekler, ilk olarak pişirilmedikçe tekrar dondurulamaz, aksi halde daha az yenilebilir.
- ▶ Dondurucu bölmesine aşırı miktarda taze yiyecek yüklemeyin. Dondurucunun dondurma kapasitesine bakın - TEKNİK VERİLERE veya tip plakasındaki verilere bakın.
- ▶ Yiyecekler, özelliklerine bağlı olarak dondurucuda en az -18°C'de 2 ila 12 ay arasında saklanabilir (örn. et: 3-12 ay, sebzeler: 6-12 ay)
- ▶ Taze yiyecekleri dondururken, zaten donmuş yiyeceklerle temas ettirmekten kaçının. Çözülme riski!

Ticari olarak dondurulmuş gıdaları saklarken lütfen şu yönergeleri izleyin:

- ▶ Yiyecekleri saklamanız gereken süre boyunca her zaman üreticinin yönergelerine uyun. Bu yönergelerin dışına çıkmayın!
- ▶ Gıda kalitesini korumak için satın alma ile saklama arasındaki süreyi mümkün olduğunca kısa tutmaya çalışın.
- ▶ -18 °C veya altında bir sıcaklıkta saklanmış donmuş gıdaları satın alın.
- ▶ Ambalajında buz veya buzlanma bulunan gıdaları satın almaktan kaçının. Bu, ürünlerin bir noktada kısmen çözülmüş ve yeniden donmuş olabileceğini gösterir, sıcaklık artışları gıda kalitesini etkiler.

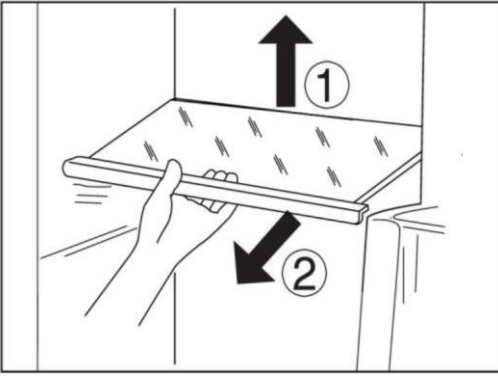
Açıklama

- ▶ Soğutma etkisini sağlamak için lütfen konulan yiyecek ile hava kanalı arasındaki mesafeyi 10 mm'den fazla tutun.



Çoklu hava akışı

Buzdolabı, her raf seviyesinde soğuk hava akışlarının bulunduğu çoklu hava akışı sistemi ile donatılmıştır. Bu, yiyeceklerinizin daha uzun süre taze kalmasını sağlamak için sabit bir sıcaklığın korunmasına yardımcı olur.



Ayarlanabilir raflar

Rafların yüksekliği saklama ihtiyaçlarınıza göre ayarlanabilir.

1. Bir rafın yerini değiştirmek için önce arka kenarını yukarı kaldırıp (1) dışarı doğru çekerek (2) çıkarın.
2. Yeniden takmak için, her iki taraftaki tırnaklara yerleştirin ve rafın arkası yanlardaki yuvalara sabitlenene kadar en arkaya doğru itin.

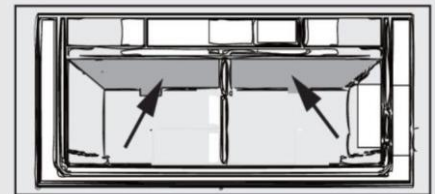
i Açıklama:

Bir rafın tüm uçlarının düz olduğundan emin olun.

Humidity zone çekmecesini

Bu bölmede nem oranı %85 civarındadır. Sistem tarafından otomatik olarak kontrol edilir ve meyve, sebze, salata vb. saklamaya uygundur.

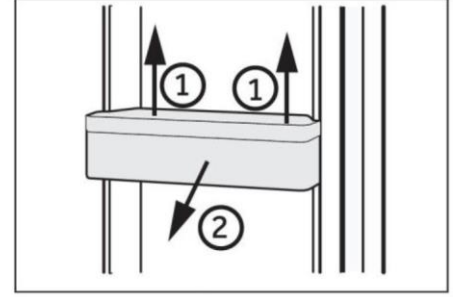
i Açıklama:



- İki bölgenin içindeki plastik kapağı çıkarmayın. Nemi korurlar.
- Ananas, avokado, muz, greyfurt gibi soğuğa duyarlı meyveler ile patates, patlıcan, fasulye, salatalık, kabak, domates gibi sebzeler ve peynir bu iki çekmecede saklanmamalıdır.

Çıkarılabilir kapı rafları

Kapı rafları temizlik için çıkarılabilir:
Ellerinizi rafın her iki yanına koyun, yukarı doğru kaldırın (1) ve dışarı doğru çekin (2).
Kapı rafını takmak için yukarıdaki adımlar ters sırayla gerçekleştirilir.

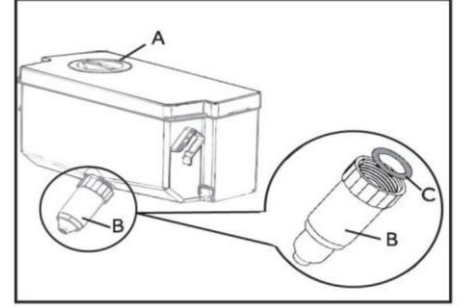


Çıkarılabilir su tankı

Su tankı, kapı raflarıyla aynı şekilde temizlik için çıkarılabilir ve yeniden takılabilir.

Su tankını yerleştirin

Su tankını, su çıkışının (B) kapı açıklığına oturacağı konuma yerleştirin. Su tankının kilitli olduğundan emin olun.



Açıklama: Su tankı

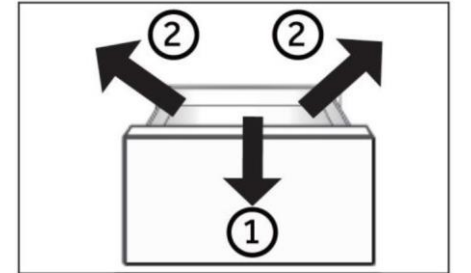
Musluğun su tankına sıkıca vidalandığından ve beyaz O-halkasının (C) yerinde olduğundan emin olun.

Su tankı düzgün yerleştirilmezse bağlantıdan su damlayabilir.

Su tankına zarar vermemek için tankı çıkarırken veya takarken aşırı güç uygulamayın.

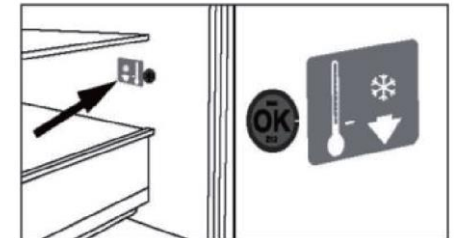
Çıkarılabilir dondurucu çekmecesini

Çekmeceyi çıkarmak için, azami ölçüde dışarı çekin (1), kaldırın ve çıkarın (2).
Çekmeceyi takmak için yukarıdaki adımlar ters sırayla gerçekleştirilir.



İSTEĞE BAĞLI: OK-sıcaklık göstergesi

OK-sıcaklık göstergesi, +4°C'nin altındaki sıcaklıkları belirlemek için kullanılabilir. İşaret "OK" göstermiyorsa sıcaklığı kademeli olarak azaltın.



Işık

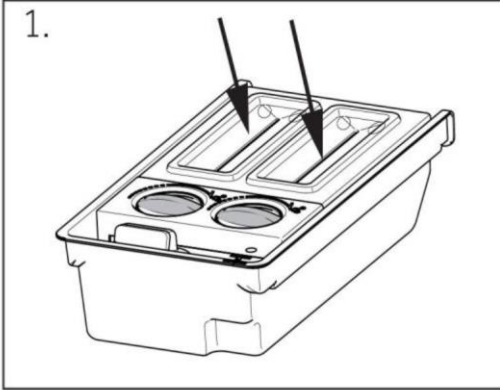
Kapı açıldığında LED iç aydınlatma yanar ve kapı 7 dakikadan fazla açık bırakılırsa otomatik olarak söner. Işıkların performansı, cihazın diğer ayarlarından etkilenmez.



Enerji tasarrufu ipuçları

- ▶ Cihazın uygun şekilde havalandırıldığından emin olun (bkz. KURULUM).
- ▶ Cihazı doğrudan güneş ışığı alan bir yere veya ısı kaynaklarının (örn. soba, ısıtıcı) yakınına kurmayın.
- ▶ Cihazda gereksiz yere düşük sıcaklıktan kaçının. Enerji tüketimi, cihazdaki sıcaklık ne kadar düşük ayarlanırsa o kadar artar.
- ▶ Super-Freeze gibi işlevler daha fazla enerji tüketir.
- ▶ Sıcak yiyecekleri cihaza yerleştirmeden önce soğumaya bırakın.
- ▶ Cihaz kapısını mümkün olduğunca az ve kısa süreliğine açın.
- ▶ Hava akışını engellemek için cihazı aşırı doldurmayın.
- ▶ Gıda ambalajının içinde hava olmasını önleyin.
- ▶ Kapının her zaman doğru şekilde kapanması için kapı contalarını temiz tutun.
- ▶ Dondurulmuş yiyecekleri buzdolabı saklama bölümünde çözün.
- ▶ En fazla enerji tasarrufu sağlayan konfigürasyon, cihazın çekmeceleri, yiyecek kutusunu ve rafları fabrikadan yeni çıkmış durumda tutmasını gerektirir ve yiyecekler mümkün olduğunca kanalın hava çıkışını engellemeyecek şekilde yerleştirilmelidir.

Buz küpü yapımı



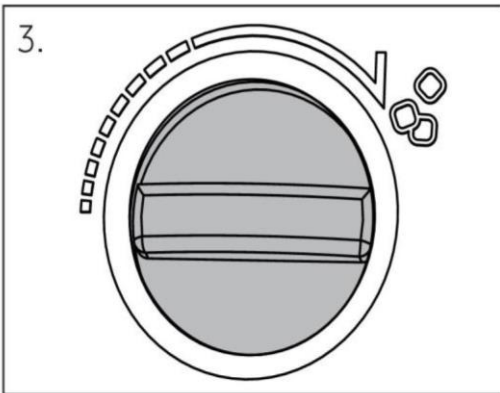
1.

1. Her bir buz yapma kutusuna, ölçüm kabının içindeki ölçek işaretine göre taze içme suyu dökün, ölçek işaretini aşmayın.



Açıklama:

İki düğme arasına su getirmeyin, aksi takdirde düğmeler donabilir ve buz küpleri saklama kutusuna düşemez.



3.

2. Kutuyu dondurucu bölümüne koyun.
3. Su buz haline geldikten sonra buz yapıcıyı cihazdan çıkarın ve düğmeyi elinizle çevirin. Ardından, buz blokları otomatik olarak buz kutusuna düşecektir. Kapağı çıkarın ve buz küplerini alın.



UYARI!

Temizlemeden önce cihazı güç kaynağından ayırın.

Temizleme

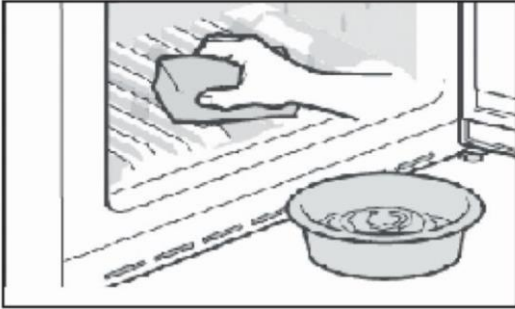
Cihazı çok az yiyecek saklandığında veya hiç yiyecek saklanmadığında temizleyin.

Cihaz, iyi bir bakım sağlamak ve depolanmış kötü yiyecek kokularını önlemek için her dört haftada bir temizlenmelidir.



UYARI!

- ▶ Cihazı sert fırçalar, tel fırçalar, deterjan tozu, benzin, amil asetat, aseton ve benzeri organik solüsyonlar, asit veya alkali solüsyonlarla temizlemeyin. Hasarı önlemek için lütfen özel buzdolabı deterjanı ile temizleyin.
- ▶ Temizlik sırasında cihaza bir şey püskürtmeyin veya onu yıkamayın.
- ▶ Cihazı temizlemek için su spreyi veya buhar kullanmayın.
- ▶ Soğuk cam rafları sıcak suyla temizlemeyin. Ani sıcaklık değişimi camın kırılmasına neden olabilir.
- ▶ Elleriniz yüzeyde donabileceğinden, özellikle ıslak ellerle dondurucu depolama bölmesinin iç yüzeyine dokunmayın.
- ▶ Isıtma durumunda donmuş ürünlerin durumunu kontrol edin.

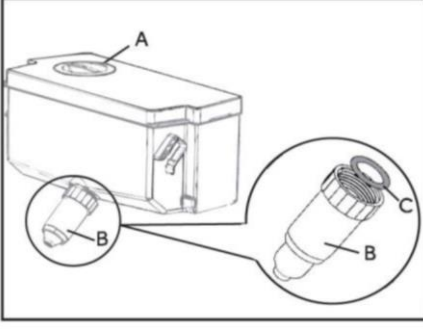


- ▶ Kapı contasını daima temiz tutun.
 - ▶ Cihazın içini ve muhafazasını ılık su ve nötr deterjanla nemlendirilmiş bir süngerle temizleyin.
1. Lütfen kapı contası, kapı rafı, cam raflar, kutular vb. dahil olmak üzere buzdolabının içini ve dışını yumuşak bir havlu veya ılık suya batırılmış süngerle silin (ılık suya nötr deterjan ekleyebilirsiniz).

2. Dökülen sıvı varsa, kirlenmiş tüm parçaları çıkarın, doğrudan akan su ile yıkayın, kurutun ve tekrar buzdolabına yerleştirin.
 3. Dökülen krema varsa (krema, eriyen dondurma gibi) lütfen kirlenmiş tüm parçaları çıkarın, yaklaşık 40 °C'lik ılık suda bir süre bekletin, ardından akan su ile durulayın, kurutun ve tekrar buzdolabına yerleştirin.
 4. Küçük bir parçanın veya bileşenin buzdolabının içine (raflar veya çekmeceler arasında) sıkışması durumunda, çıkarmak için küçük yumuşak bir fırça kullanın. Parçaya ulaşamadıysanız, lütfen Haier servisi ile iletişime geçin.
- ▶ Durulayın ve yumuşak bir bezle kurulayın.
 - ▶ Cihazın hiçbir parçasını bulaşık makinesinde yıkamayın.
 - ▶ Sık çalıştırma kompresöre zarar verebileceğinden, cihazı yeniden başlatmadan önce en az 5 dakika bekleyin.

Buz çözme

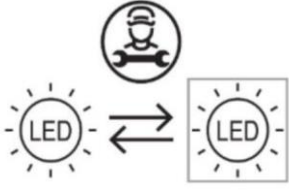
Buzdolabı ve dondurucu bölmesinin buzunun çözülmesi otomatik olarak gerçekleştirilir: manuel işleme gerek yoktur.

Su tankının temizlenmesi

1. Su tankını cihazdan çıkarın.
2. Kapağı (A) çıkarın.
3. Dağıtıcı ağızını (B) çevirerek çıkarın.
4. Tankı ve dağıtıcı ağızını ılık su ve sıvı bulaşık deterjanı ile temizleyin. Tüm sabunun durulandığından emin olun.
5. Dağıtıcıyı dışarı monte edin (B) ve su tankına sıkıca vidalandığından ve beyaz O-halkasının (C) yerinde olduğundan emin olun.
6. Kapağı (A) kapatın ve tankı cihazın içine yerleştirin.

**Açıklama: Su tankı**

Su tankı düzgün yerleştirilmezse bağlantıdan su damlayabilir. Zarar vermemek için su tankını çıkarırken veya takarken aşırı güç uygulamayın.

LED lambaların değiştirilmesi

Bir profesyonel tarafından değiştirilebilir (yalnızca LED) ışık kaynağı

Bu ürün, G sınıfı enerji verimliliğine sahip bir ışık kaynağı içerir.

bölme	Gerilim	maks Güç	Enerji verimliliği sınıfı	Model
Buzdolabı	DC 12V	5 W	G	HCW58F18EWMP

Uzun süre kullanılmama

Cihaz uzun bir süre kullanılmayacaksa ve buzdolabı için yalnızca Holiday işlevini veya buzdolabı kapalı işlevini kullanmayacaksanız:

- ▶ Yiyecekleri çıkarın.
- ▶ Güç kablosunu çıkarın.
- ▶ Su tankını boşaltın ve temizleyin.
- ▶ Cihazı yukarıda açıklandığı gibi temizleyin.
- ▶ İçeride kötü kokuların oluşmasını önlemek için kapıyı açık tutun.



Açıklama

Cihazı yalnızca kesinlikle gerekliyse kapatın.

Cihazın taşınması

1. Tüm yiyecekleri çıkarın ve cihazın fişini çekin.
2. Buzdolabı ve dondurucudaki rafları ve diğer hareketli parçaları yapışkan bantla sabitleyin.
3. Soğutma sistemine zarar vermemek için buzdolabını 45°'den fazla eğmeyin.

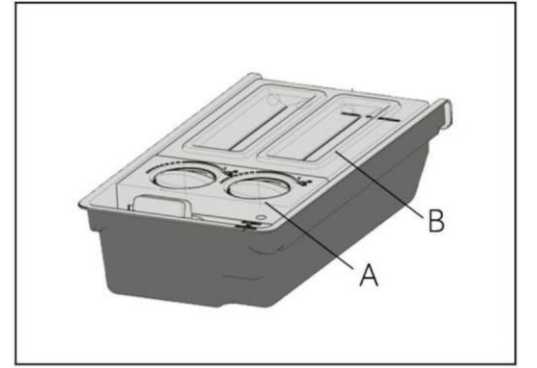


UYARI!

- ▶ Cihazı kollarından kaldırmayın.
- ▶ Cihazı asla yere yatay olarak yerleştirmeyin.

Buz küpü yapıcının temizlenmesi

1. Buz küpü yapıcıyı cihazdan çıkarın.
2. Kapakları (A) ve (B) çıkarın.
3. Buz küpü yapıcıyı ılık su ve sıvı bulaşık deterjanı ile temizleyin. Tüm sabunun durulandığından emin olun.
4. Kapakları kapatın, tekrar içme suyu doldurun ve buz küpü yapıcıyı cihazın içine yerleştirin.



Ortaya çıkan birçok sorun, belirli bir uzmanlık olmadan kendi başınıza çözülebilir. Bir sorunla karşılaşırsanız, lütfen gösterilen tüm olasılıkları kontrol edin ve bir satış sonrası servisle iletişime geçmeden önce aşağıdaki talimatları izleyin. MÜŞTERİ HİZMETLERİ'ne bakın.



UYARI!

- ▶ Bakımdan önce cihazı devre dışı bırakın ve elektrik fişini elektrik prizinden çekin.
- ▶ Elektrikli ekipmanın servisi yalnızca kalifiye elektrik uzmanları tarafından yapılmalıdır, çünkü uygun olmayan onarımlar önemli ölçüde dolaylı hasarlara neden olabilir.
- ▶ Hasarlı bir besleme kablosu, bir tehlikeyi önlemek için yalnızca üretici, servis acentesi veya benzer kalifiye kişiler tarafından değiştirilmelidir.

Sorun	Olası Neden	Olası Çözüm
Kompresör çalışmıyor.	<ul style="list-style-type: none"> • Elektrik fişi prize takılı değil. • Cihaz buz çözme döngüsünde. 	<ul style="list-style-type: none"> • Elektrik fişini bağlayın. • Otomatik buz çözme için bu normaldir.
Cihaz sık sık çalışıyor veya çok uzun süre çalışıyor.	<ul style="list-style-type: none"> • İç veya dış ortam sıcaklığı çok yüksek. • Cihaz bir süredir kapalı durumda. • Cihazın bir kapısı sıkıca kapatılmamış. • Kapı çok sık veya çok uzun süre açıldı. • Dondurucu bölmesi için sıcaklık ayarı çok düşük. • Kapı contası kirli, aşınmış, çatlamış veya uyumsuz. • Gerekli hava sirkülasyonu sağlanmamış. 	<ul style="list-style-type: none"> • Bu durumda cihazın daha uzun süre çalışması normaldir. • Normalde, cihazın tamamen soğuması 8 ila 12 saat alır. • Kapıyı/çekmeceyi kapatın ve cihazın düz bir zemine yerleştirdiğinden ve kapıyı sarsan yiyecek veya kap olmadığından emin olun. • Kapıyı/çekmeceyi çok sık açmayın. • Uygun bir buzdolabı sıcaklığı elde edilene kadar sıcaklığı daha yükseğe ayarlayın. Buzdolabı sıcaklığının sabit hale gelmesi 24 saat sürer. • Kapı/çekmece contasını temizleyin veya müşteri hizmetleri tarafından değiştirilmesini sağlayın. • Yeterli havalandırma sağlayın.
Buzdolabının içi kirli ve/veya kokuyor.	<ul style="list-style-type: none"> • Buzdolabının içinin temizlenmesi gerekiyor. • Keskin kokulu yiyecekler buzdolabında saklanır. 	<ul style="list-style-type: none"> • Buzdolabının içini temizleyin. • Yiyecekleri iyice sarın.
Cihazın içi yeterince soğuk değil.	<ul style="list-style-type: none"> • Sıcaklık çok yüksek ayarlanmış. • Çok sıcak ürünler saklanmış. • Bir seferde çok fazla yiyecek depolanmış. • Ürünler birbirine çok yakın. • Cihazın bir kapısı/çekmecesini sıkıca kapatılmamış. • Kapı/çekmece çok sık veya çok uzun süre açıldı. • Sıcaklık çok düşük ayarlanmış. 	<ul style="list-style-type: none"> • Sıcaklığı sıfırlayın. • Ürünleri saklamadan önce daima soğutun. • Her zaman az miktarda yiyecek saklayın. • Birkaç yiyecek arasında hava akışına izin verecek bir boşluk bırakın. • Kapıyı/çekmeceyi kapatın. • Kapıyı/çekmeceyi çok sık açmayın. • Sıcaklığı sıfırlayın.

Sorun	Olası Neden	Olası Çözüm
Cihazın içi çok soğuk.	<ul style="list-style-type: none"> Super-Frz/Super-Cool işlevi etkinleştirilmiş veya çok uzun süre çalışıyor. 	<ul style="list-style-type: none"> Super-Frz/Super-Cool işlevini kapatın
Soğutucu bölmesinin iç kısmında nem oluşumu.	<ul style="list-style-type: none"> İklim çok sıcak ve çok nemli. Cihazın bir kapısı/çekmecesi sıkıca kapatılmamış. Kapı/çekmece çok sık veya çok uzun süre açıldı. Yiyecek kapları veya sıvılar açık bırakılmış. 	<ul style="list-style-type: none"> Sıcaklığı artırın. Kapıyı/çekmeceyi kapatın. Kapıyı/çekmeceyi çok sık açmayın. Sıcak yiyecekleri oda sıcaklığına soğumaya bırakın ve yiyecek ve sıvıları kapatın.
Nem, buzdolabının dış yüzeyinde veya kapılar/kapı ile çekmece arasında birikiyor.	<ul style="list-style-type: none"> İklim çok sıcak ve çok nemli. Kapı sıkıca kapatılmamış. Cihazdaki soğuk hava ve dışındaki sıcak hava yoğunlaşır. 	<ul style="list-style-type: none"> Nemli iklimde bu normaldir ve nem azaldığında değişecektir. Kapının/çekmecenin sıkıca kapatıldığından emin olun.
Dondurucu bölümünde kuvvetli buz ve buzlanma.	<ul style="list-style-type: none"> Ürünler yeterince paketlenmemiş. Cihazın bir kapısı/çekmecesi sıkıca kapatılmamış. Kapı/çekmece çok sık veya çok uzun süre açıldı. Kapı/çekmece contası kirli, aşınmış, çatlamış veya uyumsuz. İçerideki bir şey kapının/çekmecenin düzgün kapanmasını engelliyor. 	<ul style="list-style-type: none"> Ürünleri her zaman iyi paketleyin. Kapıyı/çekmeceyi kapatın. Kapıyı/çekmeceyi çok sık açmayın. Kapı/çekmece contasını temizleyin veya yenileriyle değiştirin. Kapının/çekmecenin kapanmasına izin vermek için rafları, kapı raflarını veya dahili kapları yeniden konumlandırın.
Kabinin kenarları ve kapı şeridi ısınıyor.	<ul style="list-style-type: none"> - 	<ul style="list-style-type: none"> Bu normaldir.
Cihaz anormal sesler çıkarıyor.	<ul style="list-style-type: none"> Cihaz düz bir zemine yerleştirilmemiştir. Cihaz etrafındaki bir nesneye dokunuyor. 	<ul style="list-style-type: none"> Cihazı düzleştirmek için ayakları ayarlayın. Cihazın etrafındaki nesnelere kaldırın.
Akan suya benzer hafif bir ses duyulacaktır.	<ul style="list-style-type: none"> - 	<ul style="list-style-type: none"> Bu normaldir.
Bir alarm bip sesi duyacaksınız.	<ul style="list-style-type: none"> Buzdolabı saklama bölümü kapısı açık. 	<ul style="list-style-type: none"> Kapıyı kapatın.
Hafif bir uğultu duyacaksınız.	<ul style="list-style-type: none"> Yoğuşma önleyici sistem çalışıyor. 	<ul style="list-style-type: none"> Bu, yoğuşmayı önler ve normaldir.
İç aydınlatma veya soğutma sistemi çalışmıyor.	<ul style="list-style-type: none"> Elektrik fişi prize takılı değil. Güç kaynağı sağlam değil. LED lamba arızalı. 	<ul style="list-style-type: none"> Elektrik fişini bağlayın. Odanın elektrik beslemesini kontrol edin. Yerel elektrik şirketini arayın. Lütfen lamba değişimi için servisi arayın.

Teknik yardıma başvurmak için web sitemizi ziyaret edin:

<https://corporate.haier-europe.com/en/>

"Web sitesi" bölümünün altında, ürününüzün markasını ve ülkenizi seçin. Teknik yardıma başvurmak için telefon numarasını ve formu bulabileceğiniz belirli bir web sitesine yönlendirileceksiniz.

Güç kesintisi

Elektrik kesintisi durumunda, yiyecekler yaklaşık 5 saat boyunca güvenli bir şekilde soğuk kalmalıdır. Özellikle yaz aylarında, uzun süreli elektrik kesintisi sırasında şu ipuçlarını izleyin:

- ▶ Kapıyı/çekmeceyi olabildiğince az açın.
- ▶ Elektrik kesintisi sırasında cihaza ilave yiyecek koymayın.
- ▶ Elektrik kesintisi önceden bildirilmişse ve kesinti süresi 5 saatten uzunsa, biraz buz yapın ve soğutucu bölmesinin üst kısmındaki bir kaba koyun.
- ▶ Kesintiden hemen sonra ürünlerin kontrolü gereklidir.
- ▶ Bir elektrik kesintisi veya başka bir arıza sırasında buzdolabındaki sıcaklık artacağından, yiyeceklerin saklama süresi ve yenilebilir kalitesi azalacaktır. Sağlık risklerini önlemek için buzu çözülen yiyecekler tüketilmeli veya kısa süre sonra pişirilip yeniden dondurulmalıdır (uygunsa).

Güç kesintisi sırasında hafıza işlevi

Güç geri geldikten sonra cihaz, elektrik kesintisinden önce belirlenen ayarlarla devam eder.

Ambalajın açılması



UYARI!

- ▶ Cihaz ağırdır. Daima en az iki kişi taşıyın.
- ▶ Tüm ambalajları çocukların erişemeyeceği bir yerde saklayın ve çevreye zarar vermeyecek şekilde atın.
- ▶ Cihazı ambalajından çıkarın.
- ▶ Tüm ambalaj malzemelerini çıkarın.

Çevre koşulları

Cihazın içindeki sıcaklığı ve enerji tüketimini etkileyebileceğinden, oda sıcaklığı her zaman 10°C ile 43 °C arasında olmalıdır. Cihazı izolasyonu olmayan diğer ısı yayan cihazların (fırınlar, buzdolapları) yanına kurmayın.

Alan gereksinimi

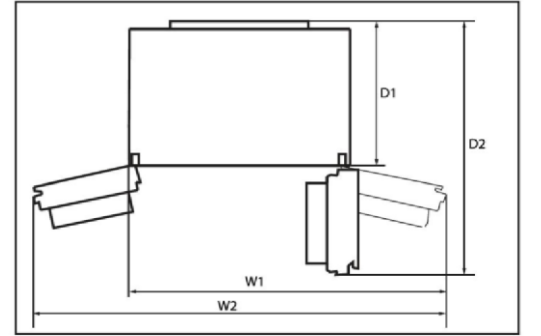
Kapı açıldığında gerekli alan:

W1=1076 mm

W2=1360 mm

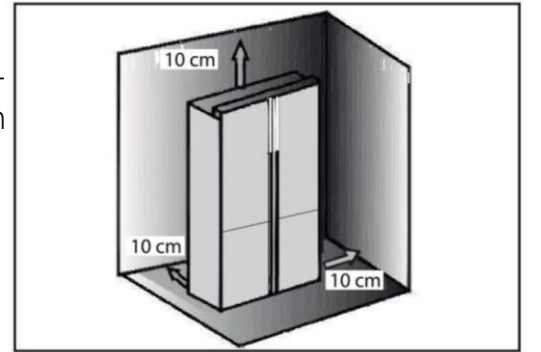
D1=628 mm

D2=1064mm



Havalandırma kesiti

Güvenlik nedeniyle cihazın yeterli şekilde havalandırılmasını sağlamak için, gerekli havalandırma kesitlerine ilişkin bilgilere uyulmalıdır.

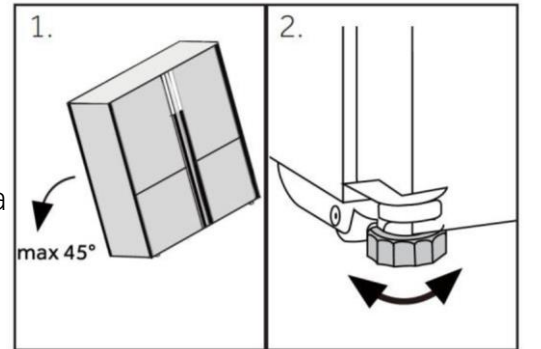


Cihazın hizalanması

Cihaz düz ve sağlam bir yüzeye yerleştirilmelidir.

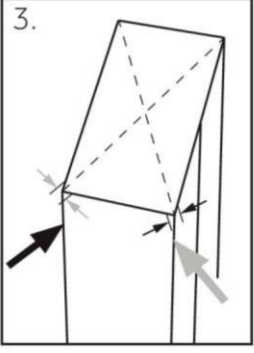
1. Buzdolabını hafifçe geriye doğru eğin.
2. Ayakları istenilen seviyeye ayarlayın.

Kapının düzgün açılabilmesi için menteşe tarafında duvara olan mesafenin en az 10 cm olduğundan emin olun.

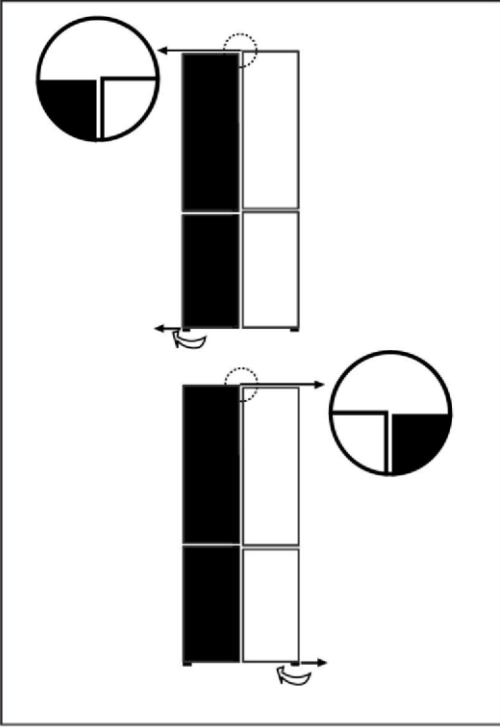


Açıklama:

Bağımsız bir cihaz için: Bu soğutma cihazı, ankastre bir cihaz olarak kullanılmak üzere tasarlanmamıştır.



1. Stabilité, köşegenlere dönüşümlü olarak çarpılarak kontrol edilebilir. Hafif sallanma her iki yönde de aynı olmalıdır. Aksi takdirde çerçeve bükülebilir; sonuç olarak kapı contaları sızdırabilir. Arkaya doğru düşük bir eğilim, kapıların kapanmasını kolaylaştırır.



Kapıların ince ayarı

Kapılar aynı seviyede değilse, bu uyumsuzluk şu şekilde giderilebilir:

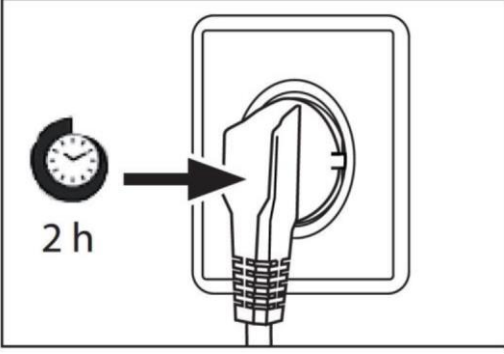
Ayarlanabilir ayak kullanma

Ayağı yukarı veya aşağı çevirmek için ayarlanabilir ayağı ok yönüne göre döndürün.

Gerekirse satış sonrası servisle iletişime geçin.

i Açıklama:

Buzdolabının gelecekteki kullanımında, saklanan gıdaların ağırlığında kapı eşitsizliği olabilir. O zaman lütfen yukarıdaki yöntemlere göre ayarlayın.



Bekleme süresi

Bakım gerektirmeyen yağlama yağı, kompresörün kapsülünde bulunur. Bu yağ eğimli taşıma sırasında kapalı boru sisteminden geçebilir. Cihazı güç kaynağına bağlamadan önce, yağın tekrar kapsüle akması için en az 2 saat beklemeniz gerekir.

Elektrik bağlantısı

Her bağlantıdan önce şunları kontrol edin:

- ▶ Güç kaynağı, priz ve sigortanın anma değeri plakasına uygun olduğunu.
- ▶ Elektrik prizinin topraklı olduğunu ve çoklu fiş veya uzatma olmadığını.
- ▶ Elektrik fişi ve prizin kesinlikle doğru olduğunu.

Fişi uygun şekilde kurulmuş bir ev prizine takın.



UYARI!

Riskleri önlemek için hasarlı bir güç kablosu müşteri hizmetleri tarafından değiştirilmelidir (garanti kartına bakın).

AB No. 2019/2016 yönetmeliğine göre ürün fişî

Marka	Haier
Model adı / tanımlayıcı	HCW58F18EWMP
Modelin kategorisi	Buzdolabı-dondurucu
Enerji verimliliği sınıfı	E
Yıllık enerji tüketimi (kWh/yıl)(1)	297
Toplam hacim (L)	507
Buzdolabı hacmi (L)	321
Dondurucu hacmi (L)	87
Değişken sıcaklık bölmesi hacmi (L)	99
Yıldız derecelendirmesi	***
Diğer bölmelerin sıcaklığı >14°C	Uygulanamaz
Buzlanmayan sistem	Evet
Dondurma kapasitesi (kg/24s)	6
İklim derecelendirmesi (2)	SN-N-ST
Gürültü emisyon sınıfı ve hava kaynaklı akustik gürültü emisyonları (db(A) re 1pW)	C(38)
Sıcaklık yükselme süresi (saat)	9
Cihaz tipi	Bağımsız
Diğer	-

Açıklamalar:

• Evet, özellikli

- (1) 24 saatlik standart uygunluk testi sonuçlarına göre. Gerçek tüketim, cihazın kullanımına ve konumuna bağlıdır.
- (2) İklim derecelendirmesi SN: Bu cihaz, + 10°C ile +32°C arasındaki ortam sıcaklığında kullanılmak üzere tasarlanmıştır.
İklim derecelendirmesi N: Bu cihaz, + 16°C ile +32°C arasındaki ortam sıcaklığında kullanılmak üzere tasarlanmıştır.
İklim derecelendirmesi ST: Bu cihaz, + 16°C ile +38°C arasındaki ortam sıcaklığında kullanılmak üzere tasarlanmıştır.
İklim derecelendirmesi T: Bu cihaz, + 16°C ile +43°C arasındaki ortam sıcaklığında kullanılmak üzere tasarlanmıştır.

Ek teknik veriler

Gerilim / Frekans	220-240V ~/50Hz
Giriş akımı (A)	1,5
Ana sigorta (A)	16
Soğutma sıvısı	R600a
Boyutlar (mm cinsinden Y/G/D)	1775 / 830 / 705

Haier Müşteri Hizmetlerimizi ve orijinal yedek parça kullanımını öneriyoruz. Cihazınızla ilgili bir sorunuz varsa, lütfen önce SORUN GİDERME bölümüne bakın.

Orada bir çözüm bulamazsanız, lütfen

- ▶ yerel bayinizle veya
- ▶ Avrupa Çağrı Hizmet Merkezimizle (aşağıda listelenen telefon numaralarına bakın) ya da
- ▶ servis talebini etkinleştirebileceğiniz ve ayrıca SSS'leri bulabileceğiniz www.haier.com adresindeki Servis ve Destek alanı
- ▶ ile iletişime geçin.

Hizmetimizle iletişime geçmek için aşağıdaki verilere sahip olduğunuzdan emin olun. Bilgiler, anma değeri plakasında bulunabilir.

Model _____

Seri Numarası _____

Garanti ile ilgili olarak, ürünle birlikte verilen Garanti Kartını da kontrol edin.

Avrupa Çağrı Servis Merkezi		
Ülke*	Telefon Numarası	Maliyetler
Haier Italy (IT)	199 100 912	
Haier Spain (ES)	902 509 123	
Haier Germany (DE)	0180 5 39 39 99	<ul style="list-style-type: none">• 14 Ct/Dk Sabit Hat• maks 42 Ct/Dk Mobil
Haier Austria (AT)	0820 001 205	<ul style="list-style-type: none">• 14.53 Ct/Dk Sabit Hat• maks 20 Ct/Dk diğerleri
Haier United Kingdom (UK)	0333 003 8122	
Haier France (FR)	0980 406 409	

* Diğer ülkeler için lütfen www.haier.com adresine bakın.

Haier Europe Trading S.r.l
Branch UK
Westgate House, Westgate, Ealing
London, W5 1YY

*Soğutma cihazının garanti süresi:

Asgari garanti: AB Ülkeleri için 2 yıl, Türkiye için 3 yıl, İngiltere için 1 yıl, Rusya için 1 yıl, İsveç için 3 yıl, Sırbistan için 2 yıl, Norveç için 5 yıl, Fas için 1 yıl, Cezayir için 6 ay, Tunus yasal garanti gerekli değildir.

*Cihazın tamiri için yedek parça süresi:

Termostatlar, sıcaklık sensörleri, baskılı devre kartları ve ışık kaynakları, modelin son ünitesinin piyasaya sürülmesinden sonra en az yedi yıl süreyle mevcuttur. Modelin son ünitesinin piyasaya sürülmesinden sonra en az yedi yıl kapı kolları, kapı menteşeleri, tepsi ve sepetler ve en az 10 yıl kapı contaları.

*Ürün hakkında daha fazla bilgi için lütfen <https://eprel.ec.europe.eu/> adresini ziyaret edin veya cihazla birlikte verilen enerji etiketindeki QR kodunu tarayın.

2022 Versiyon B

Haier Smart Home Co., Ltd.
No.1 Haier Road, Haier Industry Park, Hi-Tech Zone,
266103 Qingdao, Shandong, Çin
ÇİN MALI

Haier



0060535245



Návod na použitie

Chladnička s mrazničkou

HCW58F18EWMP

SK

Haier

Ďakujeme za zakúpenie produktu Haier.

Pred použitím tohto spotrebiča si pozorne prečítajte tieto pokyny. Pokyny obsahujú dôležité informácie, ktoré vám pomôžu vyťažiť zo spotrebiča maximum a zaistia bezpečnú a správnu inštaláciu, používanie a údržbu.

Túto príručku uschovajte na vhodnom mieste, aby ste si mohli kedykoľvek prečítať pokyny na bezpečné a správne používanie spotrebiča.

Ak spotrebič predávate, darujete alebo ho nechávate v domácnosti po odstávaní, nezabudnite s ním novému vlastníkovi odovzdať aj túto príručku, aby sa mohol oboznámiť so spotrebičom a bezpečnostnými upozoreniami.

Vysvetlivky



Varovanie – Dôležité bezpečnostné informácie



Všeobecné informácie a tipy



Informácie o životnom prostredí

Likvidácia



Pomáhajte chrániť životné prostredie a zdravie ľudí. Obal vyhodte do vhodných nádob na recykláciu. Pomáhajte recyklovať odpad z elektrických a elektronických prístrojov. Spotrebiče označené týmto symbolom nelikvidujte s domácim odpadom. Výrobok odneste do miestneho recyklačného strediska alebo kontaktujte mestský úrad.



VAROVANIE!

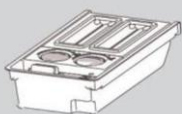
Nebezpečenstvo poranenia alebo zadusenia!

Chladivá a plyny sa musia likvidovať profesionálnym spôsobom. Pred správnu likvidáciu sa uistite, že nie je poškodené potrubie okruhu chladiva. Spotrebič odpojte od elektrickej siete. Odrežte a zlikvidujte napájací kábel. Vyberte podnosy a zásuvky, ako aj západku a tesnenie dverí, aby ste zabránili zatvoreniu detí a domácich zvierat vnútri spotrebiča.

Bezpečnostné informácie	4
Opis výrobku	10
Ovládací panel.....	11
Použitie	12
Vybavenie.....	26
Starostlivosť a čistenie	29
Riešenie problémov	32
Inštalácia.....	35
Technické údaje	38
Zákaznícky servis	40

Príslušenstvo

Skontrolujte príslušenstvo a dokumentáciu podľa tohto zoznamu:



Výrobník ľadu
s lopatkou na ľad



3 rozpery



Energetický štítok



Záručný list



Návod na použitie
nálepky „OK“
Návod na použitie

Poznámka: Len pre model HCW58F18EWMP

Pred prvým zapnutím spotrebiča si prečítajte nasledujúce bezpečnostné pokyny!:



VAROVANIE!

Pred prvým použitím

- ▶ Uistite sa, že sa spotrebič pri preprave nepoškodil.
- ▶ Odstráňte všetky obaly a uložte ich mimo dosahu detí.
- ▶ Pred inštaláciou spotrebiča počkajte najmenej dve hodiny, aby sa zabezpečila plná účinnosť chladiaceho okruhu.
- ▶ Spotrebič musia prenášať minimálne dve osoby, pretože je ťažký.

Inštalácia

- ▶ Spotrebič musí byť umiestnený na dobre vetranom mieste. Nad spotrebičom a v jeho okolí musíte zabezpečiť minimálne 10 cm priestor.
- ▶ Spotrebič nikdy neumiestňujte na vlhké miesto ani na miesto, kde by mohla striekať voda. Postriekania vodou a škvrny vyčistite a osušte mäkkou čistou handričkou.
- ▶ Spotrebič neinštalujte na priame slnečné svetlo ani do blízkosti zdrojov tepla (napr. kachle, ohrievače).
- ▶ Spotrebič nainštalujte a vyrovnajte na mieste, ktoré je vhodné svojou veľkosťou a využitím.
- ▶ **VAROVANIE:** Vetracie otvory v spotrebiči alebo v zabudovanej konštrukcii udržiavajte bez prekážok.
- ▶ Uistite sa, že elektrické údaje na typovom štítku sa zhodujú s údajmi pre vašu sieť. V opačnom prípade kontaktujte elektrikára.
- ▶ Spotrebič je napájaný zo siete 220-240 VAC/50 Hz. Abnormálne kolísanie napätia môže spôsobiť, že sa spotrebič nezapne, poškodí sa regulátor teploty alebo kompresor alebo sa môže pri prevádzke vyskytnúť neobvyklý hluk. V takom prípade musíte namontovať automatický regulátor.
- ▶ Nepoužívajte adaptéry s viacerými zásuvkami ani predlžovacie káble.
- ▶ **VAROVANIE:** Na zadnú stranu spotrebiča neumiestňujte rozvodné prenosné zásuvky ani prenosné zdroje napájania.
- ▶ **VAROVANIE:** Pri umiestnení spotrebiča zabezpečte, aby sa napájací kábel nezachytil ani nepoškodil.
- ▶ Na napájací kábel nestúpajte.
- ▶ Použite samostatnú uzemnenú zásuvku, aby k nej bol zabezpečený jednoduchý prístup. Spotrebič musí byť uzemnený.

**VAROVANIE!**

- ▶ **Len pre Spojené kráľovstvo:** Napájací kábel spotrebiča je vybavený 3-vodičovou (uzemňovacou) zástrčkou, ktorá sa vsúva do štandardnej 3-vodičovej (uzemnenej) zásuvky. Tretí kolík (uzemnenie) nikdy neodrezávajte ani neodstraňujte. Po inštalácii spotrebiča musí byť zástrčka prístupná.
- ▶ **VAROVANIE:** Nepoškodte chladiaci okruh.
- Každodenné používanie**
- ▶ Deti staršie ako 8 rokov a osoby s obmedzenými fyzickými, zmyslovými alebo duševnými schopnosťami alebo nedostatkom skúseností či vedomostí môžu tento spotrebič používať pod dohľadom, resp. po poučení a oboznámení sa s bezpečným spôsobom používania a porozumení možným nebezpečenstvám.
- ▶ Deti sa so spotrebičom nesmú hrať.
- ▶ Deti vo veku od 3 do 8 rokov môžu do chladiacich spotrebičov nakladať a vykladať potraviny, nesmú ich však čistiť ani inštalovať.
- ▶ Deťom do 3 rokov nedovoľte, aby sa priblížili ku spotrebiču, pokiaľ nie sú pod neustálym dohľadom.
- ▶ Čistenie a údržbu deti bez dozoru nesmú vykonávať.
- ▶ Spotrebič musí byť umiestnený tak, aby bola zástrčka prístupná.
- ▶ Ak v blízkosti spotrebiča uniká skvapalnený zemný plyn alebo iný horľavý plyn, zatvorte ventil unikajúceho plynu, otvorte dvere a okná a neodpájajte zástrčku napájacieho kábla chladničky/mrazničky ani iného zariadenia.
- ▶ Všimnite si, že spotrebič je nastavený na prevádzku v špecifickom pásovom rozsahu od 10 do 38 °C. Spotrebič možno nebude fungovať správne, ak sa ponechá dlho v prostredí s teplotou, ktorá je vyššia alebo nižšia než uvedený rozsah.
- ▶ Na chladničku/mrazničku neumiestňujte nestabilné predmety (ťažké predmety, nádoby naplnené vodou), aby nedošlo k zraneniu osôb následkom pádu alebo úrazu elektrickým prúdom po kontakte s vodou.
- ▶ Neťahajte za police vo dverách. Dvere by sa mohli skriviť, stájan na fľaše odtrhnúť alebo by sa spotrebič mohol prevrátiť.
- ▶ Dvere otvárajte a zatvárajte iba pomocou rúkavít. Medzera medzi dverami a skrinkou je veľmi úzka. Do týchto priestorov nekladajte ruky, aby nedošlo k pricviknutiu prstov. Dvere chladničky/mrazničky otvárajte alebo zatvárajte iba vtedy, ak v rozsahu pohybu dverí nestoja žiadne deti.

**VAROVANIE!**

- ▶ Aby ste zabránili kontaminácii potravín, dodržiavajte nasledujúce pokyny:
- ▶ - Ponechanie dverí otvorených dlhšiu dobu môže spôsobiť výrazné zvýšenie teploty v priehradkách spotrebiča.
- ▶ - Pravidelne čistite povrchy, ktoré môžu prísť do styku s potravinami, a dostupné systémy vypúšťania.
- ▶ - Nádrže na čistú vodu vyčistite, ak sa nepoužívali 48 hodín; prepláchnite vodný systém pripojený k prívodu vody, ak voda nebola odčerpaná po dobu 5 dní.
- ▶ - Surové mäso a ryby skladujte v chladničke vo vhodných nádobách tak, aby sa nedostali do kontaktu s inými potravinami alebo aby na ne nekvapkali.
- ▶ - Dvojhviezdičkové priehradky na mrazené potraviny sú vhodné na skladovanie vopred zmrazených potravín, skladovanie alebo výrobu zmrzliny a výrobu kociek ľadu.
- ▶ - Priehradky s jednou, dvomi a tromi hviezdikami nie sú vhodné na mrazenie čerstvých potravín.
- ▶ - Ak chcete nechať chladiaci spotrebič dlhší čas prázdny, vypnite ho, rozmrazte, vyčistite, vysušte a dvere nechajte otvorené, aby sa vo vnútri spotrebiča nevyvíjali plesne.
- ▶ V mrazničke nikdy neskladujte kvapaliny vo fľašiach alebo plechovkách (okrem liehovín s vysokým obsahom alkoholu), najmä sýtené nápoje, pretože tieto počas mrazenia prasknú.
- ▶ V tomto spotrebiči neskladujte výbušné látky ako sú plechovky s aerosólmi, ktoré podporujú horenie.
- ▶ V spotrebiči neskladujte lieky, baktérie ani chemické látky. Tento spotrebič je spotrebič pre domácnosť. Neodporúča sa skladovať materiály, ktoré vyžadujú presné teploty.
- ▶ Ak došlo v mrazničke k ohrevu, skontrolujte stav potravín.
- ▶ V chladiacom priestore nenastavujte zbytočne nízku teplotu. Pri vysokých nastaveniach sa môžu vyskytnúť mínusové teploty. Pozor: Fľaše môžu prasknúť
- ▶ Zmrazených potravín sa nedotýkajte mokrými rukami (nasad'te si rukavice). Najmä nekonzumujte nanuky ihneď po vybratí z mrazničky. Existuje riziko primrznutia alebo vytvorenia pľuzgierov z mrazu. PRVÁ pomoc: ihneď umiestnite pod tečúcu studenú vodu. Neodstraňujte ťahaním!

**VAROVANIE!**

- ▶ Počas prevádzky sa nedotýkajte vnútorného povrchu priestoru mrazničky, najmä nie mokrými rukami, pretože by vám mohli ruky primrznúť k povrchu.
- ▶ V prípade prerušenia napájania alebo pred čistením odpojte spotrebič zo zásuvky. Pred opätovným zapnutím spotrebiča počkajte najmenej 7 minút, pretože časté spúšťanie môže poškodiť kompresor.
- ▶ **VAROVANIE:** V priestoroch spotrebiča, ktoré slúžia na skladovanie potravín, nepoužívajte elektrické spotrebiče, pokiaľ ich používanie neschválil výrobca.

Údržba/čistenie

- ▶ Keď čistenie a údržbu vykonávajú deti, nenechávajú ich bez dozoru.
- ▶ Pred vykonávaním akejkoľvek bežnej údržby odpojte spotrebič od elektrickej siete. Pred opätovným zapnutím spotrebiča počkajte najmenej 5 minút, pretože časté štartovanie môže poškodiť kompresor.
- ▶ Pri odpájaní spotrebiča chytte zástrčku, nie kábel.
- ▶ Spotrebič nečistite tvrdými kefami, drôtenými kefami, čistiacim práškom, benzínom, amylacetátom, acetónom, ani podobnými organickými roztokmi, kyselinami ani zásadami. Čistite pomocou špeciálneho čistiaceho prostriedku na chladničky/mrazničky, aby ste zabránili poškodeniu. Prípadne použite teplú vodu a roztok sódy bikarbóny – približne lyžicu sódy bikarbóny na liter vody. Dôkladne opláchnite vodou a utrite dosucha. Nepoužívajte čistiace prášky ani iné abrazívne čistiace prostriedky. Odnímateľné časti neumývajte v umývačke riadu.
- ▶ Námrazu a ľad nezoškrabávajú ostrými predmetmi. Nepoužívajte spreje, elektrické ohrievače ako ohrievač, sušič vlasov, parné čističe alebo iné zdroje tepla, aby nedošlo k poškodeniu plastových častí.
- ▶ **VAROVANIE:** Na urýchlenie odmrazovania nepoužívajte mechanické nástroje ani iné prostriedky s výnimkou tých, ktoré odporúča výrobca.
- ▶ Ak je poškodený vonkajší napájací kábel, v záujme eliminácie akéhokoľvek rizika ho musí vymeniť výrobca, jeho servisný zástupca alebo rovnako kvalifikovaná osoba.
- ▶ Spotrebič sa nepokúšajte sami opravovať, rozoberať alebo upravovať. V prípade opravy kontaktujte náš zákaznícky servis.
- ▶ Ak sú poškodené žiarovky, v záujme eliminácie akéhokoľvek rizika ich musí vymeniť výrobca, jeho servisný zástupca alebo rovnako kvalifikovaná osoba.

**VAROVANIE!**

- ▶ Aspoň raz za rok odstráňte prach zo zadnej strany jednotky, aby ste predišli nebezpečenstvu požiaru a zvýšenej spotrebe energie.
- ▶ Počas čistenia na spotrebič nestriekajte ani ho neoplachujte.
- ▶ Na čistenie spotrebiča nepoužívajte prúd vody ani paru.
- ▶ Studené sklenené poličky alebo sklenené dvere neumývajte horúcou vodou. Náhla zmena teploty môže spôsobiť rozbitie skla.
- ▶ Ak spotrebič nebudete dlhšiu dobu používať, nechajte ho otvorený, aby sa vo vnútri nehromadil zápach a nepríjemné pachy.

Informácie o chladiacom plyne**VAROVANIE!**

Spotrebič obsahuje horľavé chladivo IZOBUTÁN (R600a). Uistite sa, že sa počas prepravy alebo inštalácie nepoškodil chladiaci okruh. Unikajúce chladivo môže spôsobiť poranenie očí alebo vznietenie. Ak došlo k poškodeniu, udržiajte zdroje otvoreného ohňa mimo, dôkladne vyvetrajte miestnosť a **neprípájajte** ani neodpájajte napájacie káble spotrebiča alebo akéhokolvek iného zariadenia. Informujte zákaznícky servis.

V prípade, že sa dostane chladivo do kontaktu s očami, ihneď ich vypláchnite pod tečúcou vodou a okamžite kontaktujte očnému lekárovi.

VAROVANIE: Chladiaci systém je pod vysokým tlakom. Nemanipulujte s ním. Vzhľadom na to, že sa používajú horľavé chladivá, spotrebič inštalujte, manipulujte s ním a opravujte výhradne podľa pokynov a pokyny na likvidáciu spotrebiča si vyžiadajte od profesionálneho zástupcu alebo nášho servisu.

**VAROVANIE!**

V prípade chladničiek s funkciou výroby ľadu venujte pozornosť nasledujúcemu upozorneniu:

Pre spotrebiče, ktoré nie sú určené na pripojenie k vodovodu:

VAROVANIE: naplňte iba pitnou vodou.

Pre spotrebiče určené na pripojenie k vodovodu:

VAROVANIE: pripojte iba k zdroju pitnej vody.

Ak chcete vyčistiť vodný systém, pozrite si príručku používateľa.

Ak máte nejaké otázky, obráťte sa na servisné stredisko.

Určené použitie

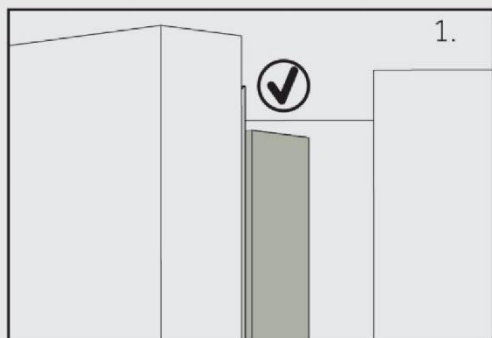
Tento spotrebič je určený na chladenie a mrazenie potravín. Bol navrhnutý výhradne na použitie v domácnostiach a podobných aplikáciách, ako sú kuchynské priestory pre zamestnancov v obchodoch, kanceláriách a iných pracovných prostrediach; vo farmárskych domoch, pre zákazníkov v hoteloch, motelloch a iných obytných priestoroch, ako aj pre zákazníkov ubytovacích a stravovacích služieb. Nie je určený na komerčné ani priemyselné použitie. Zmeny alebo úpravy spotrebiča nie sú povolené. Neúmyselné použitie môže spôsobiť nebezpečenstvo a stratu nárokov na záruku.

Normy a smernice **CE** a **UKCA**

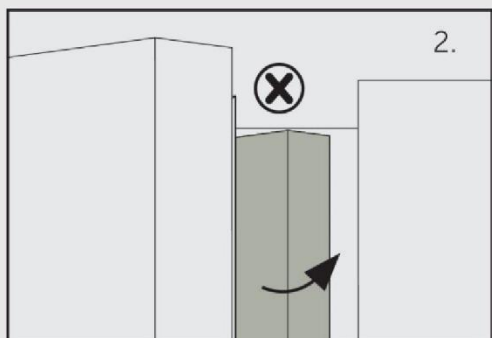
Tento výrobok spĺňa požiadavky všetkých príslušných smerníc ES s príslušnými harmonizovanými normami a normami v UK, ktoré umožňujú použitie označenia CE a UKCA.



POZOR!



Keď zatvoríte dvere, zvislá lišta na ľavých dverách chladničky by mala byť ohnutá dovnútra (1).



Ak sa pokúsite zatvoriť ľavé dvere a zvislá lišta dverí nie je ohnutá (2), mali by ste ju najprv ohnúť, inak lišta dverí narazí do upevňovacieho hriadeľa alebo pravých dverí. Mohla by sa tak poškodiť lišta alebo by mohlo dochádzať k únikom.

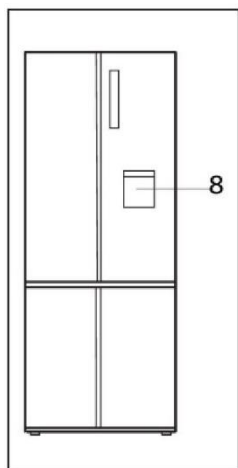
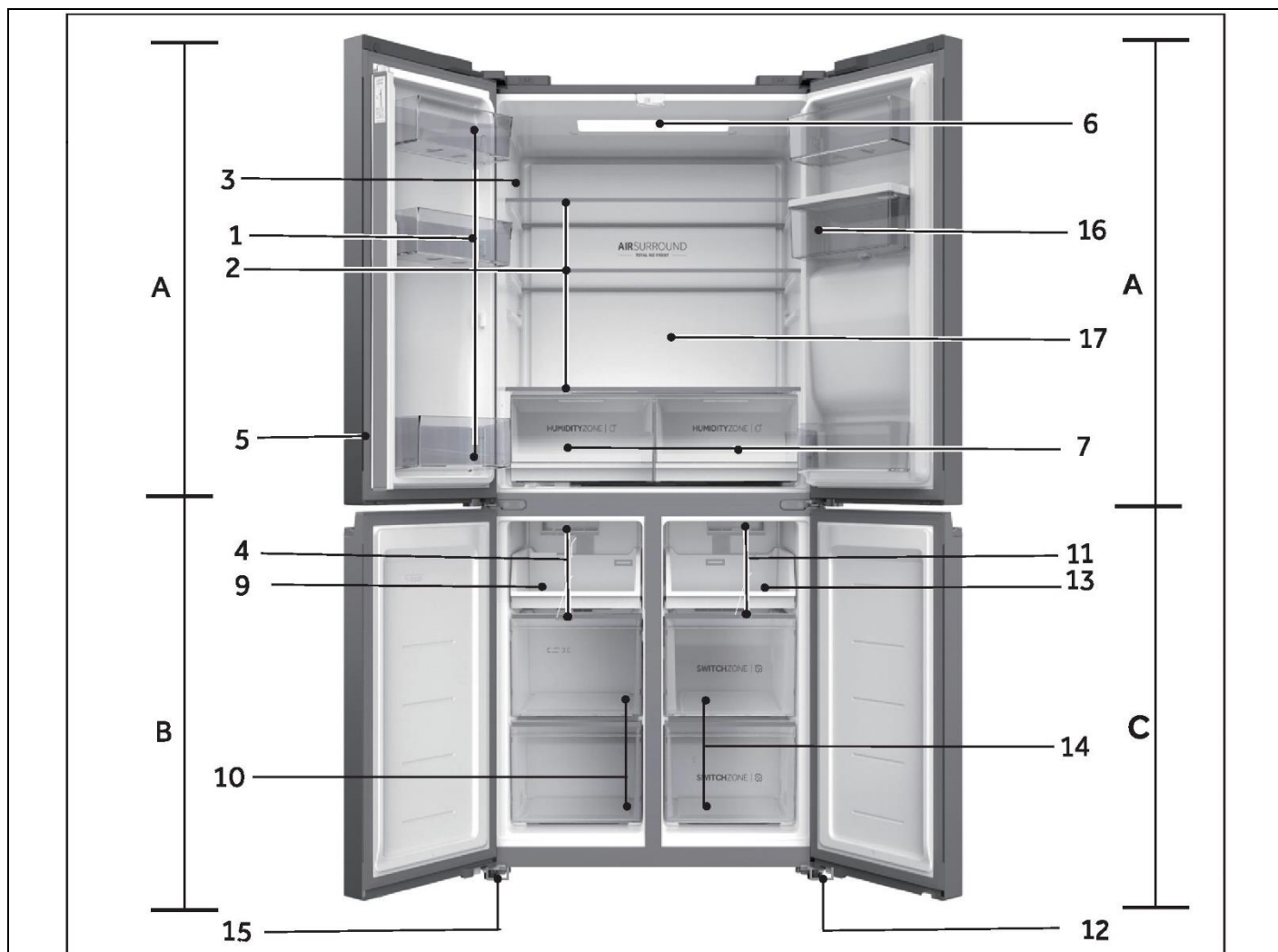
Vnútri rámu je ohrevné vlákno. Teplota povrchu sa trochu zvýši, čo je normálne a neovplyvní to funkciu spotrebiča.



Poznámka

Z dôvodu technických zmien a rôznych modelov sa môžu niektoré ilustrácie v tejto príručke líšiť od vášho modelu.

Model (HCW58F18EWMP)



A: Chladiaci priestor

- 1 Polička na dverách
- 2 Polica
- 3 Typový štítok
- 5 Lišta dverí
- 6 Stropné svetidlo
- 7 Zásuvka Humidity zone
- 8 Dávkovač vody
- 16 Nádrž na vodu
- 17 Vzduchové potrubie

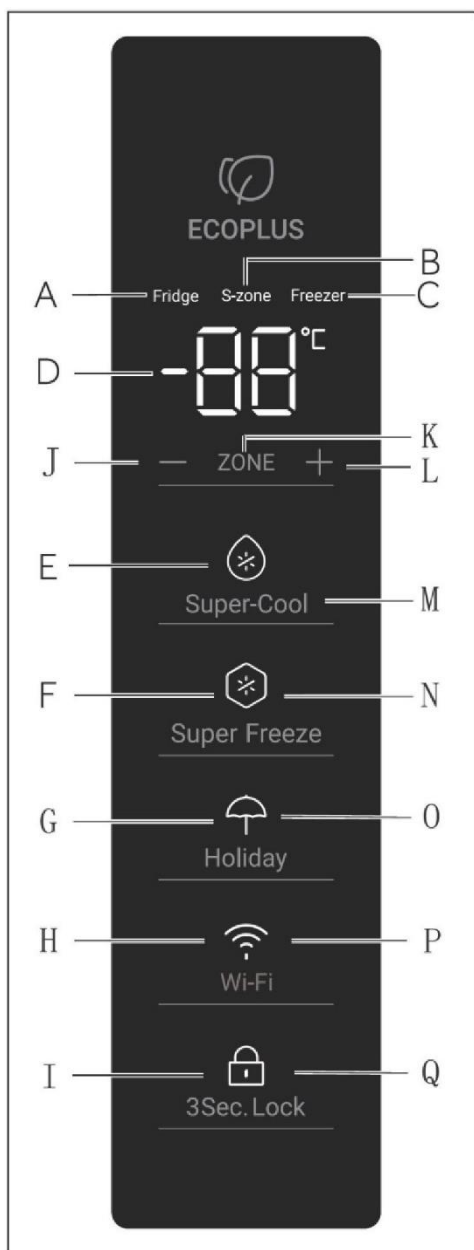
B: Mraziaci priestor

- 4 Vzduchové potrubie
- 9 Zásobník na skladovanie
- 10 Zásuvka na skladovanie
- 15 Nastaviteľné nožičky

C: Priestor Switch Zone

- 11 Vzduchové potrubie
- 12 Nastaviteľné nožičky
- 13 Zásobník na uskladnenie
- 14 Zásuvka na skladovanie Switch Zone

Ovládací panel (HCW58F18EWMP)



Kontrolka:

- A Chladiaci priestor
- B Switch Zone
- C Mraziaci priestor
- D Displej teploty
- E Funkcia Super Cool
- F Funkcia Super Freeze
- G Režim Holiday
- H Funkcia Wi-Fi
- I Zamknutie panelu

Tlačidlá:

- J Ovládanie teploty „-“
- K Výber oddelenia
- L Ovládanie teploty „+“
- M Volič funkcie Super Cool
- N Volič funkcie Super Freeze
- O Volič režimu Holiday
- P Zapnutie/Vypnutie funkcie Wi-Fi
- Q Volič uzamknutia panelu

Pred prvým použitím

- ▶ Odstráňte všetky obalové materiály a odložte ich mimo dosahu detí. Zlikvidujte ich s ohľadom na životné prostredie.
- ▶ Pred vložením potravín spotrebič umyte vodou a jemným čistiacim prostriedkom zvnútra aj zvonka.
- ▶ Po vyrovnaní a vyčistení spotrebiča počkajte pred pripojením k elektrickej sieti minimálne 2 – 5 hodín. Pozrite časť INŠTALÁCIA.
- ▶ Pred vložením potravín nechajte priehradky vychladiť pri vysokých nastaveniach. Funkcia Power- Freeze pomáha pri rýchlom vychladení priehradiek.
- ▶ Teplota chladničky, teplota zóny Switch Zone a teplota mrazičky sú automaticky nastavené na 5 °C, -18 °C a -18 °C. Sú to odporúčané nastavenia. Ak je to potrebné, tieto teploty môžete manuálne zmeniť. Pozrite časť NASTAVENIE TEPLoty.

Tlačidlá snímača

Tlačidlá na ovládacom paneli sú dotykové tlačidlá, ktoré reagujú na ľahký dotyk prsta.

Zapnutie a vypnutie spotrebiča

Spotrebič sa zapne ihneď po pripojení k zdroju elektrického napájania.

Pri prvom zapnutí chladničky sa rozsvieti indikátor „D“ (displej teploty). Teplota chladničky, teplota zóny Switch Zone a teplota mrazničky sú automaticky nastavené na 5 °C, -18 °C a -18 °C.

Môže byť aktívna zámka panelu.



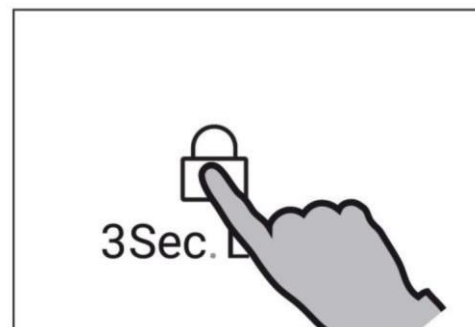
Poznámka

Spotrebič je prednastavený na odporúčanú teplotu 5 °C (chladnička), -18 °C (Switch Zone) a -18 °C (mraznička). Za normálnych podmienok okolia teplotu nemusíte nastavovať. Keď sa spotrebič zapne po odpojení od elektrického sieťového napájania, dosiahnutie správnej teploty môže trvať až 12 hodín.

Pred vypnutím spotrebič vyprázdnite. Ak chcete spotrebič vypnúť, vytiahnite napájací kábel zo zásuvky.

Uzamknutie a odomknutie panela

Displej sa automaticky vypne po 30 sekundách od stlačenia tlačidla. Displej sa automaticky uzamkne. Automaticky sa rozsvieti stlačením ľubovoľného tlačidla alebo pri otvorení niektorých dverí.



Poznámka

Teplota chladničky, teplota priestoru Switch Zone, teplota mrazničky, funkcia Super Cool, funkcia Super Freeze, režim Holiday a funkcia Wi-Fi sa nedajú nastaviť v stave uzamknutia.

Pohotovostný režim

Displej sa automaticky vypne po 30 sekundách od stlačenia tlačidla. Displej sa automaticky uzamkne. Rozsvieti sa automaticky dotykom ľubovoľného tlačidla alebo otvorením dverí. (Alarm nerozsvieti obrazovku displeja).

Režim manuálneho nastavenia

Ak chcete manuálne nastaviť teplotu spotrebiča, môžete nastaviť tlačidlo nastavenia teploty (pozri NASTAVENIE TEPLoty)

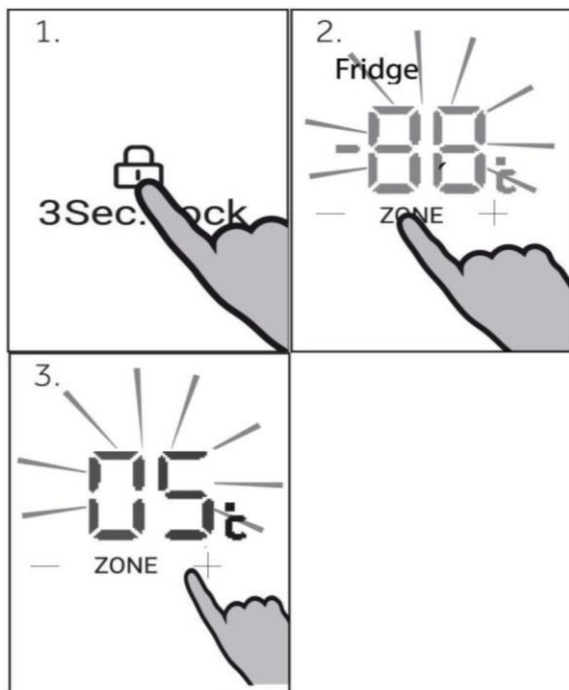
Nastavenie teploty

Teploty vo vnútri spotrebiča sú ovplyvnené nasledujúcimi faktormi:

- ▶ Teplota prostredia
- ▶ Frekvencia otvárania dverí
- ▶ Množstvo uskladnených potravín
- ▶ Inštalácia spotrebiča

Alarm dverí

Alarm dverí sa spustí, keď sa dvere otvoria na dlhú dobu alebo ak nie sú správne zatvorené, ako pripomienka.



Nastavenie teploty chladničky

Odomknite nastavenia dlhým stlačením tlačidla „Q“ na 3 sekundy.

V stave odomknutia stlačte tlačidlo „K“ (výber priestoru) na prepínanie jednotlivých priestorov. Keď sa rozsvieti kontrolka „A“ (kontrolka chladiaceho priestoru), stláčajte tlačidlo „J“ (regulácia teploty „-“) alebo tlačidlo „L“ (regulácia teploty „+“), aby ste nastavili teplotu chladiaceho priestoru. Hodnota zobrazená na indikátore „D“ sa pri každom stlačení tlačidla „J“ zníži o 1 °C.

Displej bliká, po nastavení teploty sa rozsvieti neprerušovane, potom po niekoľkých sekundách zhasne. Rovnako sa pri každom stlačení tlačidla „L“ hodnota zobrazená na indikátore „D“ zvýši o 1 °C. Displej bliká, po nastavení teploty sa rozsvieti neprerušovane, potom po niekoľkých sekundách zhasne. Teplotu priestoru chladničky je možné nastaviť od 1 °C do 9 °C s prírastkom 1 °C.



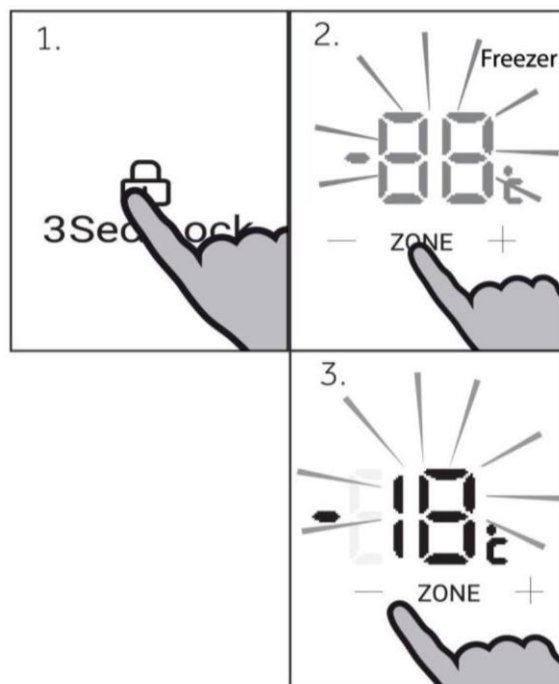
Poznámka

Teplota chladničky sa nedá nastaviť v stave Super Cool, Holiday a pri zamknutí displeja.

Regulácia teploty mrazničky

Odomknite nastavenia dlhým stlačením tlačidla „Q“ na 3 sekundy.

V stave odomknutia stlačte tlačidlo „K“ (výber priestoru) na prepínanie jednotlivých priestorov. Keď sa rozsvieti kontrolka „C“ (kontrolka mraziaceho priestoru), stláčajte tlačidlo „L“ (regulácia teploty „-“) alebo tlačidlo „N“ (regulácia teploty „+“), aby ste nastavili teplotu mraziaceho priestoru. Hodnota zobrazená na indikátore „D“ sa pri každom stlačení tlačidla „J“ zníži o 1 °C. Displej bliká, po nastavení teploty sa rozsvieti neprerušovane, potom po niekoľkých sekundách zhasne. Rovnako sa pri každom stlačení tlačidla „L“ hodnota zobrazená na indikátore „D“ zvýši o 1 °C. Displej bliká, po nastavení teploty sa rozsvieti neprerušovane, potom po niekoľkých sekundách zhasne. Teplotu mraziaceho priestoru je možné nastaviť v rozsahu -14 °C až -24 °C s prírastkom 1 °C.



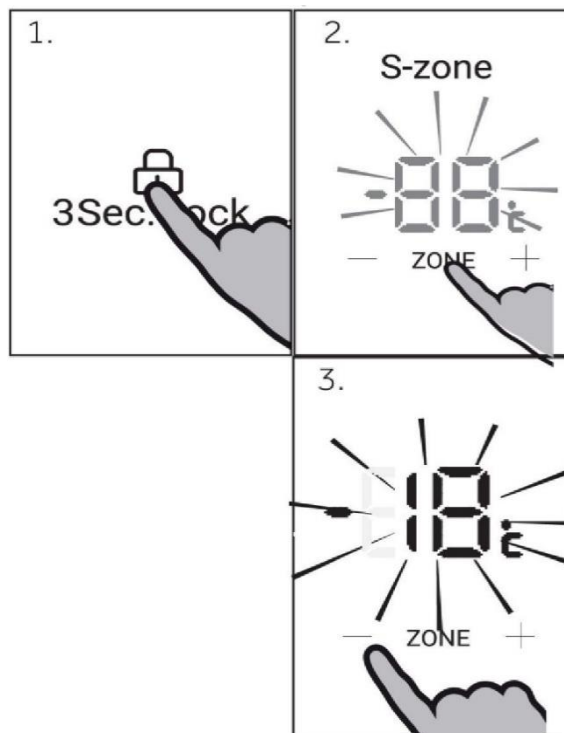
Poznámka

Teplota mrazničky sa nedá nastaviť v stave Super Freeze a uzamknutia.

Upravte teplotu zóny Switch Zone

Odomknite nastavenia dlhým stlačením tlačidla „Q“ na 3 sekundy.

V stave odomknutia stlačte tlačidlo „K“ (výber priestoru) na prepínanie jednotlivých priestorov. Keď sa rozsvieti indikátor „B“ (indikátor zóny Switch Zone), stlačajte tlačidlo „J“ (regulácia teploty „-“) alebo tlačidlo „L“ (regulácia teploty „+“), aby ste upravili teplotu priestoru Switch Zone. Hodnota zobrazená na indikátore „D“ sa pri každom stlačení tlačidla „J“ zníži o 1 °C. Displej bliká, po nastavení teploty sa rozsvieti neprerušovane, potom po niekoľkých sekundách zhasne. Rovnako sa pri každom stlačení tlačidla „L“ hodnota zobrazená na indikátore „D“ zvýši o 1 °C. Displej bliká, po nastavení teploty sa rozsvieti neprerušovane, potom po niekoľkých sekundách zhasne. Teplota priestoru Switch Zone sa dá upraviť v intervale 5 °C až -18 °C s prírastkom 1 °C.



Poznámka

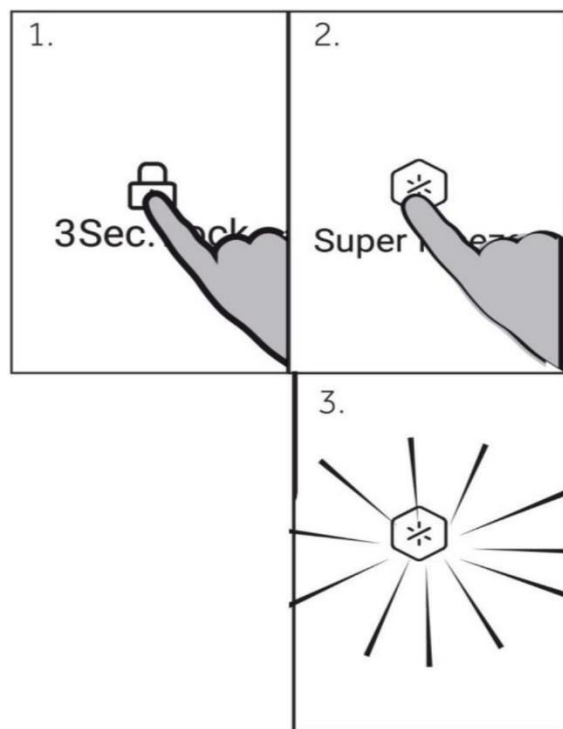
Teplota priestoru Switch Zone sa v stave uzamknutia nedá upraviť.

Funkcia Super Freeze

Funkcia Super Freeze dokáže zmraziť čerstvé potraviny úplne čo najskôr tak, že urýchli zmrazenie, aby sa zachovala najlepšia nutričná hodnota, vzhľad a chuť jedla. Ak potrebujete jednorazovo zmraziť veľké množstvo potravín, odporúčame nastaviť funkciu Super Freeze na 24 hodín dopredu pred použitím mraziaceho priestoru.

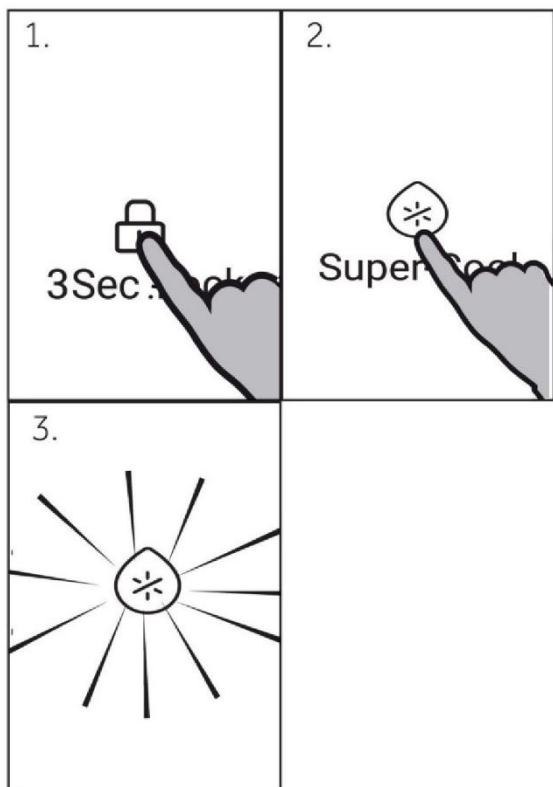
Odomknite nastavenia dlhým stlačením tlačidla „Q“ na 3 sekundy.

Keď v stave odomknutia stlačíte tlačidlo „N“ (volič funkcie Super Freeze), rozsvieti sa indikátor „F“ (indikátor funkcie Super Freeze), spotrebič sa prepne do režimu Super Freeze. Spotrebič automaticky ukončí režim Super Freeze po 50 hodinách od aktivácie. Ak chcete režim Super Freeze ukončiť manuálne, v stave odomknutia stlačte tlačidlo „N“ (volič funkcie Super Freeze), rozsvieti sa indikátor „F“ (indikátor funkcie Super Freeze), spotrebič režim Super Freeze ukončí.



Poznámka

V režime Super Freeze sú tlačidlá „J“ (regulácia teploty „-“) a „L“ (regulácia teploty „+“) uzamknuté, pokiaľ je zvolený mraziaci priestor a teplota mraziaceho priestoru sa nebude dať nastaviť.



Funkcia Super Cool

Ak chcete potraviny po ich vložení do chladničky rýchlo schladiť, môžete povoliť funkciu Super Cool.

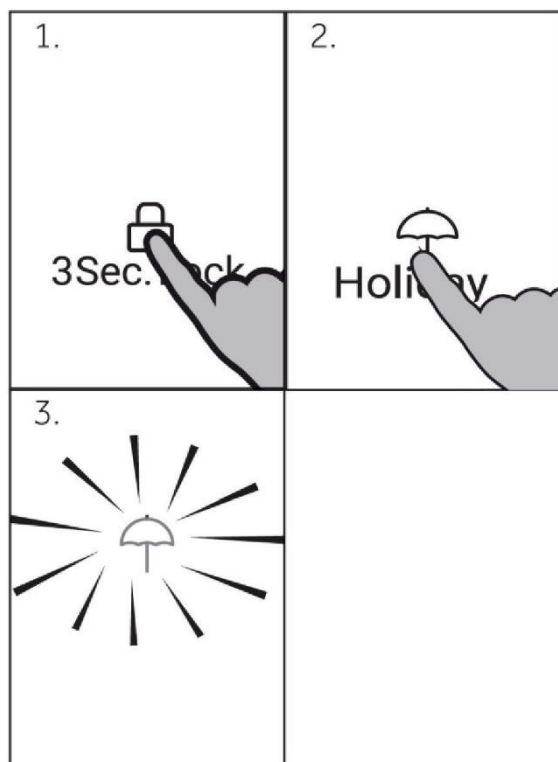
Odomknite nastavenia dlhým stlačením tlačidla „Q“ na 3 sekundy.

Keď v stave odomknutia stlačíte tlačidlo „M“ (volič funkcie Super Cool), rozsvieti sa indikátor „E“ (indikátor funkcie Super Cool), spotrebič sa prepne do režimu Super Cool. Spotrebič automaticky ukončí režim Super Cool po 6 hodinách od aktivácie. Ak chcete režim Super Cool ukončiť manuálne, v stave odomknutia stlačte tlačidlo „M“ (volič funkcie Super Cool), rozsvieti sa indikátor „E“ (indikátor funkcie Super Cool), spotrebič režim Super Cool ukončí.



Poznámka

Funkcia Super Cool sa automaticky vypne po výbere režimu Holiday. V režime Super Cool sú tlačidlá „T“ (regulácia teploty „-“) a „L“ (regulácia teploty „+“) uzamknuté, pokiaľ je zvolený chladiaci priestor, a teplota chladiaceho priestora sa nebude dať nastaviť.



Režim Holiday

V režime Holiday sa chladiaci priestor automaticky nastaví na 17 °C (pre úsporu energie), zatiaľ čo Switch Zone a mraziaci priestor fungujú pri normálnych nastaveniach teploty.

Odomknite nastavenia dlhým stlačením tlačidla „Q” na 3 sekundy.

V stave odomknutia stlačte tlačidlo „O” (volič režimu Holiday), indikátor „G” (indikátor režimu Holiday) sa rozsvieti, spotrebič sa prepne do režimu dovolenky Holiday. Ak chcete režim ukončiť, stlačte tlačidlo „O” (volič režimu Holiday), indikátor „G” zhasne a spotrebič vystúpi z režimu Holiday.



Poznámka

Režim Holiday sa automaticky ukončí po aktivácii funkcie Super Cool.

V režime Holiday sú tlačidlá „J” (regulácia teploty „-”) a „L” (regulácia teploty „+”) uzamknuté, pokiaľ je zvolený chladiaci priestor, a teplota chladiaceho priestora sa nebude dať nastaviť.

Nastavenie režimu Wi-Fi

V REŽIME PÁROVANIA APLIKÁCIE

Krok 1 • Stiahnite si aplikáciu hOn z obchodov



Krok 2 Vytvorte si účet v aplikácii hOn alebo sa prihláste, ak už účet máte



Krok 3 Postupujte podľa pokynov na párovanie v aplikácii hOn



Funkcia Wi-Fi

Ak Wi-Fi ešte nebola konfigurovaná, po prvom zapnutí chladničky automaticky prejde do režimu konfigurácie, a tento stav si udrží 30 minút.

Ikona Wi-Fi „H“ bliká rýchlo a registrácia produktu sa môže začať.

1. Postupujte podľa pokynov v aplikácii a nakonfigurujte Wi-Fi.
2. Po nakonfigurovaní Wi-Fi a pripojení sa ikona „H“ pre Wi-Fi zapne a zostane svietiť.
3. Po 30 minútach bez vykonania akejkoľvek činnosti Wi-Fi automaticky opustí režim konfigurácie.
4. Ak už bola sieť Wi-Fi nakonfigurovaná, Wi-Fi sa automaticky znova pripojí podľa informácií o konfigurácii.



Poznámka

1. Tento výrobok nie je určený na komerčné použitie.
2. Pracovná frekvencia vysielača: 2400 MHz ~ 2483,5 MHz
3. Maximálny výstupný výkon vysielača: 20dBm



Poznámka

1. Ak chcete Wi-Fi vypnúť, stlačte tlačidlo Wi-Fi „P“, ikona „H“ pre Wi-Fi zhasne.
2. Ak chcete zapnúť Wi-Fi a spustiť konfiguráciu, stlačte tlačidlo Wi-Fi „P“, ikona „H“ pre Wi-Fi začne pomaly blikať. Ak chcete funkciu Wi-Fi vypnúť, stlačte raz tlačidlo „P“. Ak chcete nakonfigurovať funkciu Wi-Fi, podržte tlačidlo „P“ stlačené 3 sekundy, ale kratšie než 20 sekúnd. Zaznie zvukový signál, ikona Wi-Fi začne blikať rýchlo a spotrebič sa prepne do režimu konfigurácie. Vyššie uvedené kroky sa opakujú.
3. Ak bol výrobok nakonfigurovaný a funkcia Wi-Fi bola vypnutá, chladnička po opätovnom pripojení k napájaniu neprejde do režimu konfigurácie.
4. Po nakonfigurovaní Wi-Fi a pripojení sa ikona „H“ pre Wi-Fi zapne a zostane svietiť.

Alarm dverí

Alarm dverí sa spustí, keď sa dvere otvoria na dlhú dobu alebo ak nie sú správne zatvorené, ako pripomienka.

DVERE CHLADNIČKY PRE ĽAVÚ STRANU

DVERE CHLADNIČKY PRE PRAVÚ STRANU

DVERE MRAZNIČKY

DVERE PRIESTORU SWITCH ZONE

Dávkovač vody

Pomocou dávkovača vody je možné načerpať studenú pitnú vodu.

Nádrž na vodu sa musí pred prvým použitím vyčistiť (pozri STAROSTLIVOSŤ A ČISTENIE).

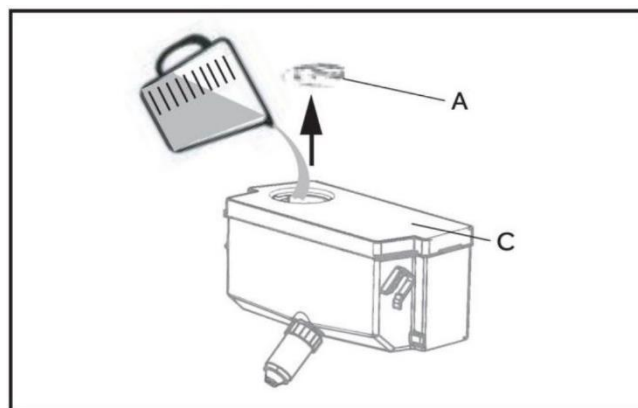
Plnenie nádrže na vodu



VAROVANIE!

Naplňte iba pitnou vodou.

1. Skontrolujte, či je nádržka na vodu správne vsunutá (pozri VYBAVENIE)
2. Otočte a zdvihnite okrúhle viečko (A) a naplňte nádržku na vodu čerstvou pitnou vodou.
3. Naplňte vodu len po značku (2,5 l), pretože by mohla pretekať, keď sa dvere otvoria a zatvoria.
4. Zatvorte okrúhle viečko (A), aby zapadlo na miesto.

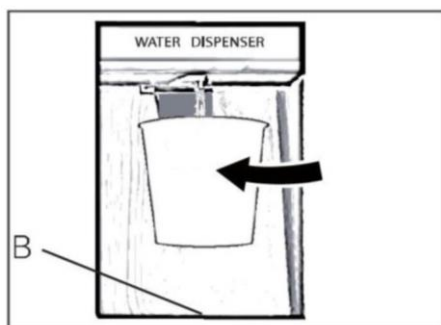


Poznámka: Dávkovač vody

Pred opätovným naplnením zvyšnú vodu zlikvidujte a vyčistite nádrž.

Ak vodu nebudete dlhšie potrebovať, vyprázdnite nádrž na vodu a vyčistenú nádrž vsuňte späť.

Kryt (C) na nádrži na vodu sa okrem toho používa na úsporu energie. Ak nechcete čerpať vodu z dávkovača vody počas dlhšej doby, vždy nainštalujte kryt kvôli lepšej izolácii a úspore energie.



Získavanie vody z dávkovača

1. Pod výpusť vody podložte pohár.
2. Pohárom opatrne zatlačte na páčku dávkovača vody. Uistite sa, že je pohár zarovnaný s dávkovačom, aby sa zabránilo striekaniu vody.
3. Voda v zásobníku (B) by sa mala včas odstrániť, pretože by mohla pri otvorení a zatvorení dverí pretekať.

Tipy na skladovanie čerstvých potravín

Uchovávanie v chladiacom priestore

- ▶ Teplotu v chladničke udržiajte pod 5 °C.
- ▶ Horúce jedlá musíte pred uložením do spotrebiča ochladiť na izbovú teplotu.
- ▶ Potraviny skladované v chladničke by ste mali pred uložením umyť a vysušiť
- ▶ Skladované potraviny by mali byť správne utesnené, aby sa zabránilo zmenám vône alebo chuti.
- ▶ Neskladujte nadmerné množstvo potravín. Medzi potravinami nechajte voľný priestor, aby okolo nich mohol prúdiť studený vzduch, aby sa dosiahlo lepšie a rovnomernejšie ochladenie.
- ▶ Potraviny konzumované denne by sa mali skladovať v prednej časti police.
- ▶ Medzi potravinami a vnútornými stenami nechajte dostatočne veľký voľný priestor na prúdenie vzduchu. Predovšetkým neskladujte potraviny opreté o zadnú stenu: potraviny by mohli primrznúť ku zadnej stene. Zabráňte priamemu kontaktu potravín (predovšetkým masných alebo kyslých potravín) s vnútorným povrchom, pretože olej/kyselina môže narušiť vnútorný povrch. Očistite masné/kyslé nečistoty vždy, keď sa objavia.
- ▶ Mrazené potraviny rozmrazujte v úložnom priestore chladničky. Takto môžete použiť mrazené potraviny na zníženie teploty v priestore a šetriť energiu.
- ▶ Proces dozrievania ovocia a zeleniny, ako sú cukety, melóny, papája, banán, ananás atď. sa môže v chladničke urýchliť. Preto sa neodporúča uchovávať ich v chladničke. Zrenie veľmi zelených plodov sa však dá na určité obdobie podporiť. Cibulu, cesnak, zázvor a inú koreňovú zeleninu by ste tiež mali skladovať pri izbovej teplote.
- ▶ Neprijemný zápach vo vnútri chladničky je znakom toho, že sa niečo rozlialo a treba priestor vyčistiť. Pozrite STAROSTLIVOSŤ A ČISTENIE.
- ▶ Rôzne potraviny je potrebné umiestniť do rôznych oblastí podľa ich vlastností:



Poznámka

Udržujte vzdialenosť viac ako 10 mm medzi umiestnenými potravinami a vzduchovým kanálom alebo snímačmi, aby sa zabezpečil chladiaci účinok.



- 1 Maslo, syr, atď.
- 2 Vajcia, konzervy, zaváraniny, koreniny atď.
- 3 Nápoje a potraviny vo fľašiach.
- 4 Potraviny v pohároch, konzervované potraviny atď.
- 5 Mäsové výrobky, lahôdky, cestoviny, zaváraniny, mlieko, tofu, mliečne výrobky atď.
- 6 Varené mäso, klobásy atď.
- 7 Zásuvka Humidity zone: Ovocie, zelenina, šalát, atď.
- 8 Zásuvka Humidity zone: Ovocie, zelenina, šalát, atď.

Skladovanie v priestore Switch Zone

Priestor Switch Zone umožňuje nastaviť teplotu v rozsahu -18 °C až 5 °C podľa požiadaviek na skladovanie potravín a poskytuje ďalšiu užitočnú a pohodlnú flexibilitu v možnostiach skladovania.

-18 °C	Pre mrazené potraviny všeobecne, ktoré vyžadujú skladovanie 1 až 12 mesiacov.	Mäso, hydina, morské plody, hotové jedlá a zvyšky, niektoré druhy ovocia a zeleniny, zmrzlina a iné mrazené dezerty.
-7 °C	Umožňuje ľahké porciovanie jedla a možnosť ohrievať, variť alebo podávať jedlo priamo po vybratí z priestoru, bez čakania na rozmrazenie.	Mäso, morské plody, polievky, omáčky, pyré, chlieb, dezerty a pečivo. Poznámka: Odporúča sa na skladovanie krémových dezertov, ako je zmrzlina.
0 °C	Poskytuje dokonalú skladovaciu zónu pre potraviny rýchlo podliehajúce skaze, aby sa zabezpečilo, že si zachovajú svoju sviežosť, čerstvosť a kvalitu.	Mäso, hydina a morské plody rýchlo podliehajúce skaze. Alkoholické nápoje, ako je pivo.
5 °C	Ideálny režim pre čerstvé potraviny, ako je ovocie a zelenina, mliečne výrobky, mäso a nápoje.	Ovocie a zelenina, mliečne výrobky, džemy a čatní/konzervy, mäso a nápoje.

Skladovanie v mraziacom priestore

- ▶ Teplotu v mrazničke udržiajte na $-18\text{ }^{\circ}\text{C}$.
- ▶ 24 hodín pred zmrazením zapnite funkciu Super-Freeze. Pre malé množstvá potravín postačuje 4 – 6 hodín.
- ▶ Horúce jedlá musíte pred uložením do mraziaceho boxu ochladiť na izbovú teplotu.
- ▶ Potraviny nakrájané na malé porcie sa zmrazia rýchlejšie a ľahšie sa rozmrazia a uvaria. Odporúčaná hmotnosť pre každú porciu je menej ako 2,5 kg
- ▶ Pred vložením do mrazničky je lepšie potraviny zabaliť. Vonkajšia strana obalu musí byť suchá, aby sa zabránilo zlepeniu vreciek. Obalové materiály by mali byť bez zápachu, vzduchotesné, nejedovaté a netoxické.
- ▶ Aby sa predišlo uplynutiu doby skladovania, všimnite si dátum zmrazenia, trvanlivosť a názov potraviny na obale a podľa toho skladujte rôzne potraviny.
- ▶ **VAROVANIE!:** Kyselina, zásady a sol' atď. by mohli narušiť vnútorný povrch mrazničky. Neumiestňujte potraviny s týmito látkami (napr. morské ryby) priamo na vnútorný povrch. Slanú vodu treba z mrazničky okamžite utrieť.
- ▶ Neprekračujte dobu skladovania potravín odporúčanú výrobcami. Z mrazničky vyberte len požadované množstvo potravín.
- ▶ Rozmrazené potraviny rýchlo skonzumujte. Aby jedli ostali jedlé, rozmrazené potraviny sa nesmú opäť zmraziť, pokiaľ ich najprv neuvaríte.
- ▶ Do mraziaceho priestoru nekladajte nadmerné množstvo čerstvých potravín. Pozrite si mraziacu kapacitu mrazničky - pozrite si TECHNICKÉ ÚDAJE alebo údaje na typovom štítku.
- ▶ Potraviny je možné skladovať v mrazničke pri teplote najmenej $-18\text{ }^{\circ}\text{C}$ 2 až 12 mesiacov, v závislosti od ich vlastností (napr. mäso: 3 – 12 mesiacov, zelenina: 6 – 12 mesiacov)
- ▶ Pri mrazení čerstvých potravín sa vyhýbajte ich kontaktu s už zmrazenými potravinami. Riziko rozmrazenia!

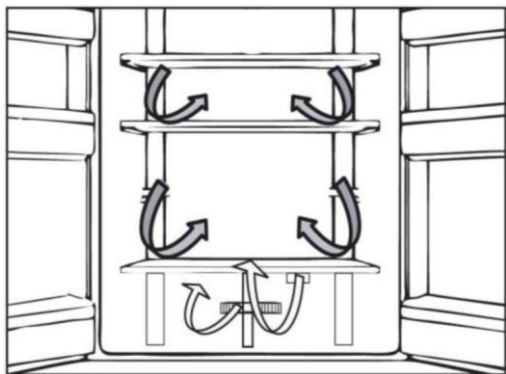
Pri skladovaní komerčne mrazených potravín dodržiavajte tieto pokyny:

- ▶ Vždy dodržiavajte pokyny výrobcov o dobe skladovania potravín. Usmernenia neporušujte!
- ▶ Snažte sa čas medzi nákupom a uložením potravín čo najviac skrátiť, aby ste zachovali kvalitu potravín.
- ▶ Kupujte mrazené potraviny, ktoré boli skladované pri teplote $-18\text{ }^{\circ}\text{C}$ alebo nižšej.
- ▶ Vyhnete sa nákupu potravín, ktoré majú na obale ľad alebo námrazu – to znamená, že výrobky mohli byť čiastočne rozmrazené a opätovne zmrazené pri určitom náraste teploty, čo mohlo znížiť ich kvalitu.



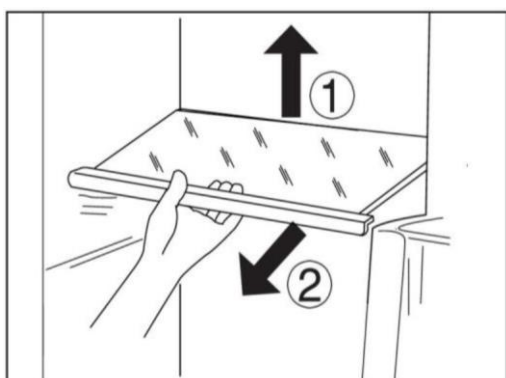
Poznámka

- ▶ Udržujte vzdialenosť viac ako 10 mm medzi umiestnenými potravinami a vzduchovým potrubím, aby sa zabezpečil chladiaci účinok.



Viacnásobné prúdenie vzduchu

Chladnička je vybavená systémom s viacnásobným prúdením vzduchu, v ktorom sú prívody chladného vzduchu umiestnené na každej úrovni police. To pomáha udržiavať rovnomernú teplotu, aby sa vaše jedlo udržalo dlhšie čerstvé.



Nastaviteľné police

Výška políc sa môže nastaviť tak, aby vyhovovala vašim potrebám skladovania.

1. Ak chcete полицu premiestniť, najprv nadvihnite jej zadný okraj (1) a potom ju vytiahnite (2).
2. Ak ju chcete znovu nainštalovať, položte ju na výstupky na oboch stranách a zatlačte do najzadnejšej polohy, kým nezapadne do drážok na bokoch.



Poznámka:

Uistite sa, že všetky konce police sú v jednej rovine.

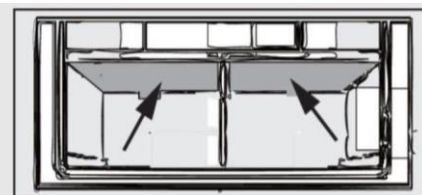
Zásuvka Humidity zone

V tomto oddelení je úroveň vlhkosti okolo 85%. Je riadené automaticky systémom a vhodné na skladovanie ovocia, zeleniny, šalátov a pod.



Poznámka:

- ▶ Neodstraňujte plastový kryt vo vnútri dvoch zón. Udržiavajú vlhkosť.
- ▶ Ovocie citlivé na chlad, ako je ananás, avokádo, banány, grapefruit, a zelenina, ako sú zemiaky, baklažány, fazuľa, uhorky, cuketa a paradajky, ako aj syr, by sa nemali skladovať v dvoch zásuvkách.

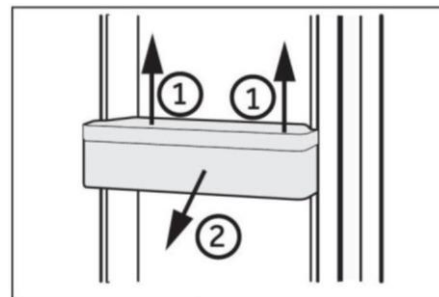


Vyberateľné poličky na dverách

Priehradky na dverách sa dajú vybrať na čistenie:

Uchopte poličku oboma rukami, nadvihnite ju (1) a vytiahnite (2).

Ak chcete poličku vložiť späť do dverí, vykonajte vyššie uvedené kroky v opačnom poradí.

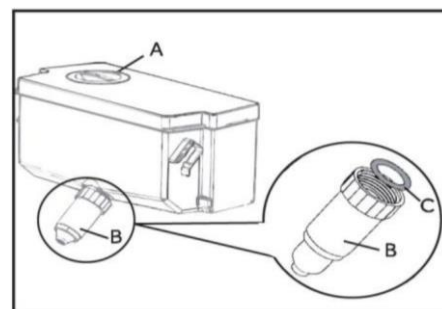


Vyberateľná nádrž na vodu

Nádrž na vodu sa môže vybrať na čistenie a znovu nainštalovať, rovnako ako poličky na dverách.

Vložte nádrž na vodu

Umiestnite nádrž na vodu do polohy, v ktorej sa výstup vody (B) vsunie do otvoru dverí. Uistite sa, že je nádržka na vodu uzamknutá.



Poznámka: Nádrž na vodu

Uistite sa, že ústie dávkovača je pevne priskrutkované k nádržke na vodu, a biely prstenec O (C) je na mieste.

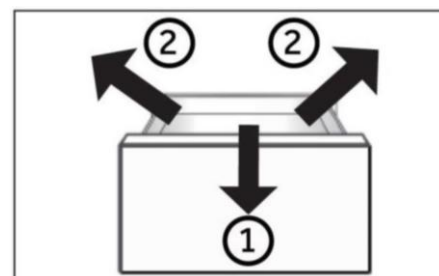
Ak nádrž na vodu nie je správne vsunutá, z prípojky môže kvapkať voda.

Pri demontáži alebo inštalácii nádrže na vodu nepoužívajte nadmernú silu, aby sa nádrž nepoškodila.

Vyberateľná zásuvka mrazničky

Ak chcete zásuvku vybrať, vytiahnite ju do maximálnej polohy (1), nadvihnite ju a vyberte (2).

Ak chcete poličku znovu vsunúť, vykonajte vyššie uvedené kroky v opačnom poradí.



VOLITEĽNÉ: kontrolka teploty OK

Kontrolku teploty OK je možné použiť na určenie teplôt pod +4 °C. Ak značka neoznačuje „OK“, teplotu postupne znižujte.



Osvetlenie

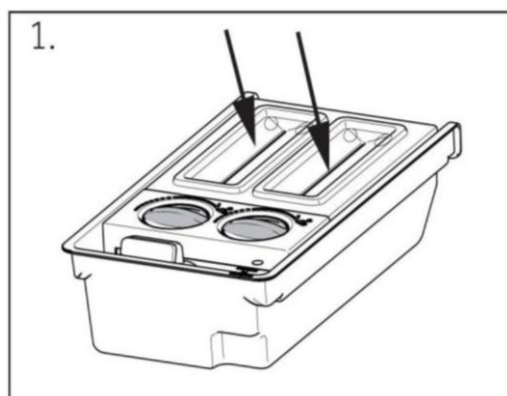
Vnútorne LED svetlo sa rozsvieti pri otvorení dverí a automaticky zhasne, ak sú dvere otvorené dlhšie ako 7 minút. Výkon svetiel nie je ovplyvnený žiadnym iným nastavením spotrebiča.



Tipy na úsporu energie

- ▶ Uistite sa, že je spotrebič správne vetraný (pozrite časť INŠTALÁCIA).
- ▶ Spotrebič neinštalujte na priame slnečné svetlo ani do blízkosti zdrojov tepla (napr. kachle, ohrievače).
- ▶ Zabráňte zbytočne nízkej teplote v spotrebiči. Čím je nižšia nastavená teplota v spotrebiči, tým vyššia bude spotreba energie.
- ▶ Funkcie ako Super-Freeze zvyšujú spotrebu energie.
- ▶ Pred vložením do spotrebiča nechajte teplé jedlo vychladnúť.
- ▶ Dvere spotrebiča otvárajte čo najmenej a na čo najkratšie.
- ▶ Spotrebič nepreplňujte, aby ste nebránili prúdeniu vzduchu.
- ▶ Vyhýbajte sa vzduchu v obale potravín.
- ▶ Tesnenia dverí udržiavajte čisté, aby boli dvere vždy správne zatvorené.
- ▶ Mrazené potraviny rozmrazujte v úložnom priestore chladničky.
- ▶ Konfigurácia s najväčšou úsporou energie si vyžaduje, aby sa zásuvky, nádoby na potraviny a police udržiavali v stave ako na novom spotrebiči, pričom potraviny treba ukladať tak, aby nebránili prúdeniu vzduchu a neupchávali prívod vzduchu z potrubia.

Výroba ľadových kociek

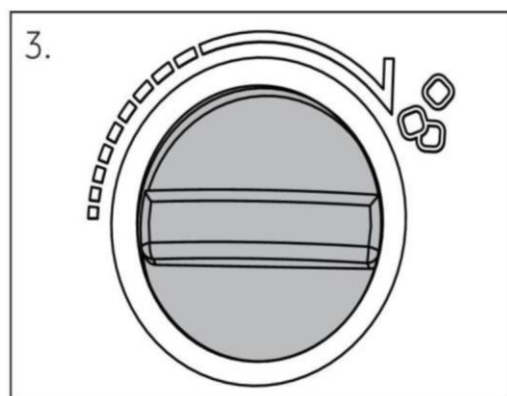


1. Do každej nádoby na výrobu ľadu nalejte čerstvú pitnú vodu po značku vnútri odmerky, neprekračujte značku stupnice



Poznámka:

Nelejte vodu medzi 2 tlačidlá, inak tlačidlá môžu zamrznúť a kocky ľadu nebudú môcť spadnúť do úložného boxu.



2. Vložte zásobník do mraziaceho priestoru.
3. Po zamrznutí výrobnik ľadu zo spotrebiča vyberte a otočte gombík ručne. Potom ľadové kocky spadnú do zásobníka na ľad automaticky. Odoberte kryt a naberte ľadové kocky.



VAROVANIE!

Spotrebič pred čistením odpojte od elektrickej siete.

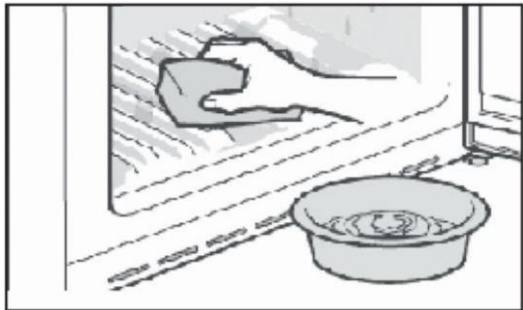
Čistenie

Spotrebič čistite, keď je v ňom uskladnené len malé množstvo alebo žiadne potraviny. Spotrebič by ste mali čistiť každé štyri týždne, aby sa zaistila dobrá starostlivosť a zabránilo pachu z nesprávne uskladnených potravín.



VAROVANIE!

- ▶ Spotrebič nečistite tvrdými kefami, drôtenými kefami, čistiacim práškom, benzínom, amlacetátom, acetónom ani podobnými organickými roztokmi, kyselinami ani zásadami. Čistite pomocou špeciálneho čistiaceho prostriedku na chladničky, aby ste zabránili poškodeniu.
- ▶ Počas čistenia na spotrebič nestriekajte ani ho neoplachujte.
- ▶ Na čistenie spotrebiča nepoužívajte prúd vody ani paru.
- ▶ Studené sklenené poličky neumývajte horúcou vodou. Náhla zmena teploty môže spôsobiť rozbitie skla.
- ▶ Nedotýkajte sa vnútorného povrchu priestoru mrazničky, najmä nie mokrými rukami, pretože by vám mohli k povrchu primrznúť.
- ▶ Ak dôjde k zahriatiu, skontrolujte stav zmrazených potravín.

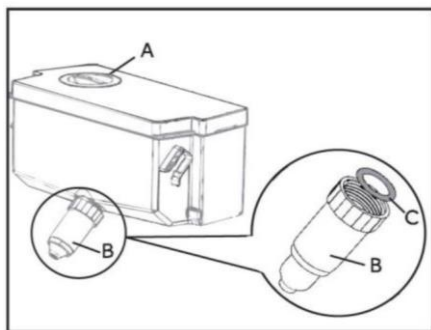


- ▶ Tesnenie na dverách musí byť vždy čisté.
 - ▶ Vnútro a plášť spotrebiča čistite špongiou navlhčenou v teplej vode s prídavkom neutrálneho saponátu.
1. Mäkkou handričkou alebo špongiou namočenou v teplej vode utrite interiér a exteriér chladničky, vrátane tesnenia dverí, dverovej poličky, sklenených políc, boxov atď. (do teplej vody môžete pridať neutrálny čistiaci prostriedok).
 2. Ak sa rozleje nejaká kvapalina, vyberte všetky znečistené diely, opláchnite ich prúdom vody, vysušte a vložte späť do chladničky.
 3. Ak dôjde k rozliatiu krému (napríklad smotana, roztopená zmrzlina), odstráňte všetky znečistené časti, vložte ich na nejaký čas do teplej vody s teplotou približne 40 °C, potom ich opláchnite prúdom vody, vysušte a vložte späť do chladničky.
 4. V prípade, že v chladničke (medzi policami alebo zásuvkami) ostane nejaká malá usadenina alebo komponent, použite na uvoľnenie mäkkú kefkú. Ak sa k tejto časti nedostanete, kontaktujte servis Haier
 - ▶ Opláchnite a osušte mäkkou handričkou.
 - ▶ Žiadne časti spotrebiča nečistite v umývačke riadu.
 - ▶ Pred opätovným zapnutím spotrebiča počkajte najmenej 5 minút, pretože časté spúšťanie môže poškodiť kompresor.

Odmrazovanie

Odmrazovanie chladničky a mrazničky sa vykonáva automaticky: nie je potrebná žiadna manuálna činnosť.

Čistenie nádržky na vodu



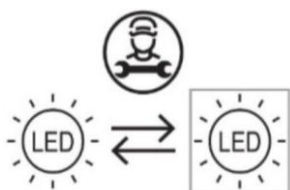
1. Vyberte nádrž na vodu zo spotrebiča
2. Odstráňte kryt (A).
3. Odskrutkujte výpusť dávkovača (B).
4. Nádržku a výpusť dávkovača očistite teplou vodou a prípravkom na umývanie riadu. Uistite sa, že je opláchnutý všetok saponát.
5. Namontujte výpusť dávkovača (B) a dbajte na to, aby bol pevne priskrutkovaný k nádržke na vodu a aby bol biely tesniaci krúžok (C) na svojom mieste.
6. Zatvorte kryt (A) a vymeňte nádrž vnútri spotrebiča.



Poznámka: Nádrž na vodu

Ak nádrž na vodu nie je správne vsunutá, z prípojky môže kvapkať voda. Pri demontáži alebo inštalácii nádrže na vodu nepoužívajte nadmernú silu, aby sa nádrž nepoškodila.

Výmena LED žiaroviek



Zdroj svetla (len LED) smie vymeniť iba odborník

Tento výrobok obsahuje svetelný zdroj triedy energetickej účinnosti G

priestor	Napätie	Maximálny výkon	Trieda energetickej účinnosti	Model
Chladnička	12 V DC	5 W	G	HCW58F18EWMP

Dlhodobé vyradenie z prevádzky

Ak sa spotrebič nepoužíva dlhšiu dobu a v chladničke budete používať iba funkciu Holiday alebo funkciu vypnutia chladničky:

- ▶ Vyberte potraviny.
- ▶ Odpojte napájací kábel.
- ▶ Vyprázdňte a vyčistite nádrž na vodu
- ▶ Spotrebič vyčistite podľa vyššie uvedeného návodu.
- ▶ Dvere nechajte otvorené, aby sa vo vnútri nevytvárali nepríjemné pachy.



Poznámka

Spotrebič vypnite, len ak je to nevyhnutne potrebné.

Premiestňovanie spotrebiča

1. Vyberte všetky potraviny a odpojte spotrebič od elektrickej siete.
2. Police a ďalšie vyberateľné diely chladničky a mrazničky zaistite lepiacou páskou.
3. Chladničku nenakláňajte o viac ako 45°, aby ste predišli poškodeniu chladiaceho systému.

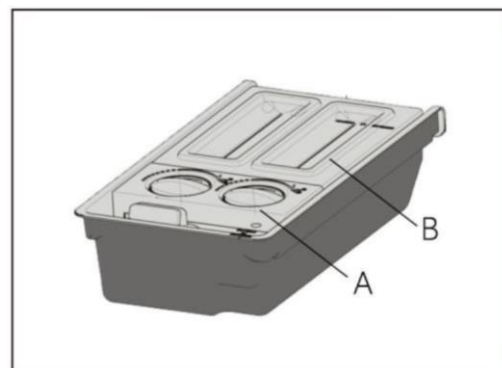


VAROVANIE!

- ▶ Spotrebič nezdvíhajte za rukoväti dverí.
- ▶ Spotrebič nikdy neukladajte na podlahu v horizontálnej polohe.

Čistenie výrobníka ľadových kociek

1. Výrobník ľadových kociek vyberte zo spotrebiča.
2. Odstráňte kryt (A) a (B).
3. Výrobník ľadu umyte teplou vodou tekutým prostriedkom na umývanie riadu. Uistite sa, že je opláchnutý všetok saponát.
4. Zatvorte kryty, naplňte výrobník pitnou vodou a vložte ho do vnútra spotrebiča.



Mnoho vyskytujúcich sa problémov môžete vyriešiť sami bez osobitných odborných znalostí. V prípade problému skontrolujte všetky zobrazené možnosti a pred kontaktovaním zákazníckeho servisu postupujte podľa nasledujúcich pokynov. Pozrite časť ZÁKAZNÍCKY SERVIS.



VAROVANIE!

- ▶ Pred údržbou spotrebič vypnite a vytiahnite zástrčku zo zásuvky.
- ▶ Údržbu elektrického zariadenia môže vykonávať iba kvalifikovaný elektrikár, pretože neodborné opravy môžu spôsobiť značné následné škody.
- ▶ Poškodený prívod môže v záujme eliminácie akéhokoľvek rizika vymeniť len výrobca, jeho servisný zástupca alebo rovnako kvalifikovaná osoba.

Problém	Možná príčina	Možné riešenie
Kompresor nefunguje.	<ul style="list-style-type: none"> • Zástrčka nie je vsunutá do zásuvky. • Spotrebič je v cykle odmrazovania 	<ul style="list-style-type: none"> • Vsuňte zástrčku do zásuvky elektrickej siete. • To je normálne pri automatickom odmrazovaní.
Spotrebič sa zapína často alebo ostáva zapnutý príliš dlho.	<ul style="list-style-type: none"> • Príliš vysoká vnútorná alebo vonkajšia teplota. • Spotrebič bol dlhšie vypnutý. • Zatvorené dvere spotrebiča netesnia dobre. • Dvere boli otvorené príliš často alebo príliš dlho. • Nastavenie teploty mraziacej časti je príliš nízke. • Tesnenie dverí je špinavé, opotrebované, popraskané alebo nevhodné. • Nie je zabezpečené požadované prúdenie vzduchu. 	<ul style="list-style-type: none"> • V takom prípade je normálne, že kompresor spotrebiča ostane zapnutý dlhšie. • Zvyčajne trvá 8 až 12 hodín, kým spotrebič úplne ochladne. • Zatvorte dvere/zásuvku a uistite sa, že je spotrebič umiestnený narovnom povrchu a že sa v ňom nenachádzajú potraviny alebo nádoba, ktoré by blokovali dvere. • Neotvárajte dvere/zásuvku príliš často. • Nastavujte vyššiu teplotu, kým nedosiahnete uspokojivú teplotu chladničky. Trvá 24 hodín, kým sa teplota v chladničke ustáli. • Vyčistite tesnenie dverí/zásuvky alebo ich dajte vymeniť v servise. • Zaistite dostatočnú ventiláciu.
Vnútro chladničky je špinavé a/alebo zapácha.	<ul style="list-style-type: none"> • Vnútro chladničky treba vyčistiť. • V chladničke sú uložené potraviny so silnou arómou. 	<ul style="list-style-type: none"> • Vyčistite vnútro chladničky. • Potraviny dôkladne zabaľte.

Problém	Možná príčina	Možné riešenie
V spotrebiči nie je dostatočne nízka teplota.	<ul style="list-style-type: none"> Nastavená teplota je príliš vysoká. Do spotrebiča ste vložili príliš teplé potraviny a jedlá. Vložili ste príliš veľa potravín naraz. Potraviny sú príliš blízko seba. Netesne zatvorené dvere/zásuvka spotrebiča. Dvere/zásuvka boli otvorené príliš často alebo príliš dlho. 	<ul style="list-style-type: none"> Resetujte teplotu. Pred uložením potraviny a jedlá vždy ochladte. Vždy vkladajte malé množstvo potravín. Medzi potravinami nechávajte medzeru, aby mohol vzduch voľne prúdiť. Zatvorte dvere/zásuvku. Neotvárajte dvere/zásuvku príliš často.
V spotrebiči je príliš nízka teplota.	<ul style="list-style-type: none"> Nastavená teplota je príliš nízka. Funkcia Super-Frz/Super-Cool je aktivovaná alebo je zapnutá príliš dlho. 	<ul style="list-style-type: none"> Resetujte teplotu. Vypnite funkciu Super-Frz/Super-Cool
Vytváranie kondenzátu na vnútornej strane chladiaceho priestoru.	<ul style="list-style-type: none"> Príliš teplé a príliš vlhké prostredie. Netesne zatvorené dvere/zásuvka spotrebiča. Dvere/zásuvka boli otvorené príliš často alebo príliš dlho. Otvorené nádoby na potraviny alebo kvapaliny. 	<ul style="list-style-type: none"> Zvýšte teplotu. Zatvorte dvere/zásuvku. Neotvárajte dvere/zásuvku príliš často. Horúce jedlá nechajte vychladnúť na izbovú teplotu a jedlá a kvapaliny zakryte.
Hromadenie vlhkosti na vonkajšom povrchu chladničky alebo medzi dverami/dverami a zásuvkou.	<ul style="list-style-type: none"> Ovzdušie je príliš teplé a príliš vlhké. Dvere nie sú tesne zatvorené. Dochádza ku kondenzácii chladného vzduchu v spotrebiči a teplého vzduchu mimo neho. 	<ul style="list-style-type: none"> Vo vlhkom podnebí je to normálne a zmení sa to po poklese vlhkosti. Dbajte na to, aby boli dvere/zásuvka dôkladne zatvorené.
V mrazničke je silná vrstva ľadu a námrazy.	<ul style="list-style-type: none"> Potraviny neboli správne zabalené. Netesne zatvorené dvere/zásuvka spotrebiča. Dvere/zásuvka boli otvorené príliš často alebo príliš dlho. Tesnenie dverí/zásuvky je znečistené, opotrebované, prasknuté alebo nevhodné. Niečo na vnútornej strane bráni správne zatvoreniu dvierok/zásuvky. 	<ul style="list-style-type: none"> Potraviny vždy správne zabalte. Zatvorte dvere/zásuvku. Neotvárajte dvere/zásuvku príliš často. Vyčistite tesnenie dverí/zásuvky alebo ich vymeňte za nové. Premiestnite police, priehradky na dverách alebo vnútorné zásobníky tak, aby sa dali dvere/zásuvka zatvoriť.

Problém	Možná príčina	Možné riešenie
Boky skrinky a lišty dverí sa zahrievajú.	• -	• Je to normálne.
Spotrebič vydáva neobvyklé zvuky.	• Spotrebič nie je umiestnený na rovnom povrchu.	• Nastavte nožičky a vyrovajte spotrebič do vodorovnej polohy.
	• Spotrebič sa dotýka nejakého predmetu v jeho okolí.	• Odstráňte predmety v okolí spotrebiča.
Počuť tichý zvuk podobný tečúcej vode.	• -	• Je to normálne.
Budete počuť pípnutie alarmu.	• Dvere chladničky ostali otvorené.	• Zatvorte dvere.
Budete počuť slabé hučanie.	• Funguje systém proti kondenzácii	• To zabraňuje kondenzácii a je to normálne
Nefunguje osvetlenie interiéru alebo chladiaci systém.	• Zástrčka nie je vsunutá do zásuvky.	• Vsuňte zástrčku do zásuvky elektrickej siete.
	• Porucha zdroja napájania.	• Skontrolujte elektrické napájanie v miestnosti. Kontaktujte miestnu elektrárenskú spoločnosť!
	• LED žiarovka nie je v poriadku.	• Kontaktujte servis kvôli výmene žiarovky.

Ak chcete kontaktovať technickú pomoc, navštívte našu webovú stránku: <https://corporate.haier-europe.com/en/>

V sekcii „webová stránka“ vyberte značku svojho produktu a svoju krajinu. Stránka vás presmeruje na konkrétnu webovú stránku, kde nájdete telefónne číslo a formulár na kontaktovanie technickej pomoci.

Prerušenie elektrického napájania

V prípade výpadku elektrického prúdu by mali potraviny zostať bezpečne vychladené približne 5 hodín. V prípade dlhšieho výpadku elektrického napájania, najmä v lete, postupujte podľa nasledujúcich pokynov:

- ▶ Dvere/zásuvku otvárajte čo najmenej.
- ▶ Počas prerušenia napájania nevkladajte do spotrebiča ďalšie potraviny.
- ▶ Ak vám je výpadok prúdu oznámený vopred a predpokladaná doba výpadku presahuje 5 hodín, vyrobte ľad a vložte ho do zásobníka v hornej časti chladničky.
- ▶ Ihneď po prerušení musíte potraviny skontrolovať.
- ▶ V dôsledku zvýšenia teploty v chladničke počas výpadku elektrického prúdu alebo inej poruchy dôjde k skráteniu trvanlivosti potravín a tiež sa zníži ich kvalita. Potraviny, ktoré sa rozmrazili, by ste mali buď rýchlo skonzumovať alebo uvariť a znovu zmraziť (ak je to vhodné), aby sa predišlo zdravotným rizikám.

Funkcia pamäte pri prerušení napájania

Po obnovení napájania spotrebič pokračuje v nastaveniach, ktoré boli nastavené pred výpadkom prúdu.

Vybalenie



VAROVANIE!

- ▶ Spotrebič je ťažký. Musia s ním vždy manipulovať dve osoby.
- ▶ Všetky obalové materiály udržiajte mimo dosahu detí a zlikvidujte ich spôsobom, ktorý je šetrný k životnému prostrediu.
- ▶ Vyberte spotrebič z obalu.
- ▶ Odstráňte všetok obalový materiál.

Podmienky prostredia

Teplota v miestnosti musí byť vždy v rozsahu 10 °C až 43 °C, pretože môže mať vplyv na teplotu vnútri spotrebiča a na jeho spotrebu energie. Spotrebič neinštalujte v blízkosti iných spotrebičov vyžarujúcich teplo (rúry, chladničky) bez izolácie.

Požiadavky na priestor

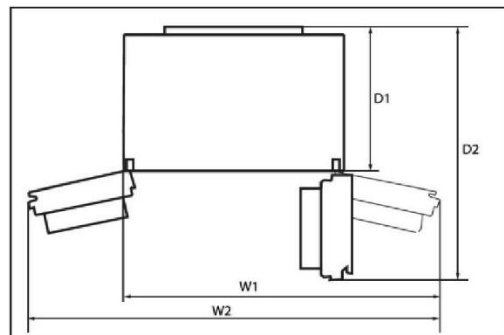
Požadovaný priestor pri otvorení dverí:

W1 = 1076 mm

W2 = 1360 mm

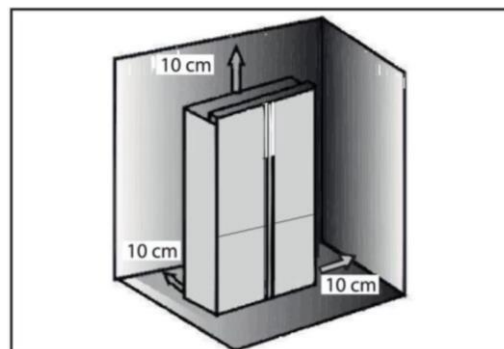
D1 = 628 mm

D2 = 1064 mm



Požiadavky na ventiláciu

Na dosiahnutie dostatočnej ventilácie spotrebiča z bezpečnostných dôvodov je potrebné dodržiavať požiadavky pre správne vetranie.

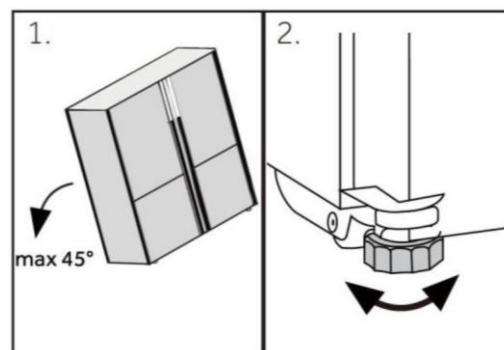


Zarovnanie spotrebiča

Zariadenie musí byť umiestnené na rovnom a pevnom povrchu.

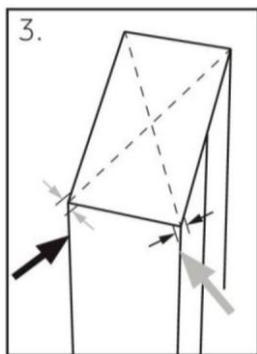
1. Nakloňte chladničku mierne dozadu.
2. Nastavte nožičky na požadovanú úroveň.

Uistite sa, že vzdialenosť od steny na strane závesu je aspoň 10 cm, aby sa dali dvere správne otvoriť.

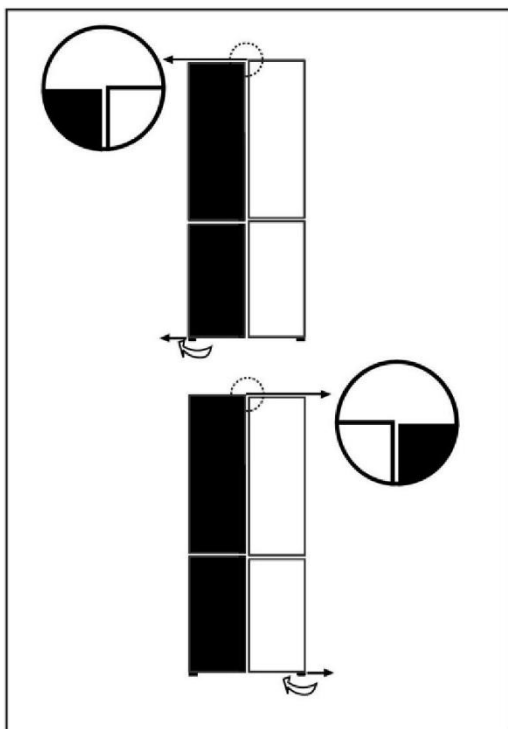


Poznámka:

Pre samostatne stojaci spotrebič: tento chladiaci spotrebič nie je určený na použitie ako zabudovaný spotrebič.



1. Stabilitu môžete skontrolovať striedavým potlačením v smere uhlopriečky. Spotrebič sa môže mierne vykloniť v oboch smeroch. V opačnom prípade môže dôjsť k zdeformovaniu rámu, výsledkom čoho môže byť aj nedostatočné tesnenie dverí. Mierne naklonenia dozadu uľahčuje zatváranie dverí.



Jemné doladenie dverí

Ak sa dvere nenachádzajú v jednej úrovni, tento nesúlad možno odstrániť nasledovným spôsobom:

Použitie nastaviteľných nožičiek

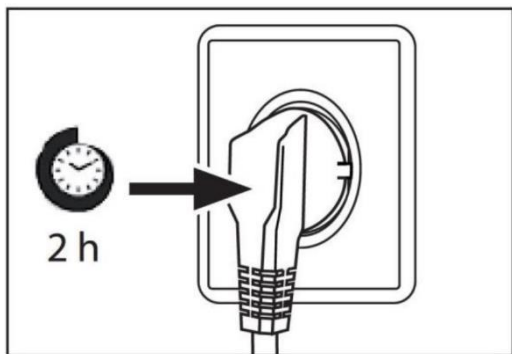
Otočením nastaviteľnej nožičky v smere šípky sa nožička zdvíha alebo znižuje.

V prípade potreby kontaktujte popredajný servis.



Poznámka:

Pri budúcom používaní dverí chladničky sa môže vyskytnúť nezarovnanie dverí v dôsledku hmotnosti uložených potravín. Potom nastavte podľa vyššie uvedených metód.



Doba čakania

V puzdre kompresora sa nachádza bezúdržbový mazací olej. Pri nakláňaní spotrebiča počas prevozu sa tento olej môže dostať cez uzatvorený systém rúrok. Pred pripojením spotrebiča ku zdroju napájania musíte počkať aspoň 2 hodiny, aby olej stiekol späť do puzdra.

Elektrické zapojenie

Pred každým pripojením skontrolujte, či:

- ▶ napájanie, zásuvka a istenie zodpovedajú typovému štítku.
- ▶ je sieťová zásuvka uzemnená a nie je pripojený žiadny adaptér s viacerými zásuvkami ani predlžovací kábel.
- ▶ sa zástrčka a zásuvka presne zhodujú.

Zástrčku pripojte k správne nainštalovanej domácej zásuvke.



VAROVANIE!

Poškodený napájací kábel musia vymeniť v zákazníckom servise, aby sa zabránilo nebezpečenstvu (pozrite záručný list).

Špecifikácie výrobku podľa nariadenia EÚ č. 2019/2016

Značka	Haier
Názov/identifikačný kód modelu	HCW58F18EWMP
Kategória modelu	Chladnička s mrazničkou
Trieda energetickej účinnosti	E
Ročná spotreba energie (kWh/rok) (1)	297
Celkový objem (l)	507
Objem chladničky (l)	321
Objem mrazničky (l)	87
Objem priestoru s premenlivou teplotou (L)	99
Počet hviezdíčiek	✱ ✱ ✱ ✱
Teplota ďalších priestorov >14 °C	Neuplatňuje sa
Systém bez námrazy Frost-free	Áno
Kapacita zmrazovania (kg/24 h)	6
Klimatická trieda (2)	SN-N-ST
Trieda emisie hluku a emisie hluku prenášané vzduchom (db(A) re 1pW)	C(38)
Čas nábehu teploty (h)	9
Typ spotrebiča	voľne stojaci
Iné	-

Vysvetlenie:

- Áno, odporúčané
- (1) Na základe výsledkov skúšky zhody noriem počas 24 hodín. Skutočná spotreba závisí od použitia a umiestnenia spotrebiča.
 - (2) Klimatická trieda SN: Tento spotrebič je určený na používanie pri teplote okolia v rozsahu +10 °C až +32 °C.
 Klimatická trieda N: Tento spotrebič je určený na používanie pri teplote okolia v rozsahu +16 °C až +32 °C
 Klimatická trieda ST: Tento spotrebič je určený na používanie pri teplote okolia v rozsahu +16 °C až +38 °C
 Klimatická trieda T: Tento spotrebič je určený na používanie pri teplote okolia v rozsahu +16 °C až +43 °C

Doplňujúce technické údaje

Napätie/Frekvencia	220-240V ~/50Hz
Vstupný prúd (A)	1,5
Hlavná poistka (A)	16
Chladiace médium	R600a
Rozmery (V/Š/H v mm)	1775/830/705

Odporúčame vám náš zákaznícky servis Haier a použitie originálnych náhradných dielov. Ak máte problém so svojím spotrebičom, najskôr si pozrite časť RIEŠENIE PROBLÉMOV.

Ak tam nenájdete riešenie, kontaktujte

- ▶ svojho miestneho predajcu alebo
- ▶ naše európske stredisko European Call Service-Center (pozri nižšie uvedené telefónne čísla) alebo
- ▶ oblasť Service & Support na stránke www.haier.com, kde môžete požiadať o servis
- ▶ a nájsť odpovede na najčastejšie otázky.

Ak chcete kontaktovať náš servis, uistite sa, že máte k dispozícii nasledujúce údaje. Informácie nájdete na typovom štítku.

Model _____

Sériové č. _____

V prípade záruky skontrolujte aj záručný list dodaný s výrobkom.

European Call Service-Center		
Krajina*	Telefónne číslo	Náklady
Haier Italy (IT)	199 100 912	
Haier Spain (ES)	902 509 123	
Haier Germany (DE)	0180 5 39 39 99	<ul style="list-style-type: none">• 14 centov/min. pevná linka• max. 42 centov/min. mobil
Haier Austria (AT)	0820 001 205	<ul style="list-style-type: none">• 14,53 centov/min. pevná linka• max. 20 centov/min. všetky ostatné
Haier United Kingdom (UK)	0333 003 8122	
Haier France (FR)	0980 406 409	

*Ďalšie krajiny nájdete na stránke www.haier.com

Haier Europe Trading S.r.l

Pobočka UK

Westgate House, Westgate, Ealing

London, W5 1YY

*Trvanie záruky na chladiaci spotrebič:

Minimálna záruka je: 2 roky pre krajiny EÚ, 3 roky pre Turecko, 1 rok pre Spojené kráľovstvo, 1 rok pre Rusko, 3 roky pre Švédsko, 2 roky pre Srbsko, 5 rokov pre Nórsko, 1 rok pre Maroko, 6 mesiacov pre Alžírsko, Tunisko bez zákonnej záruky.

*Obdobie poskytovania náhradných dielov na opravu spotrebiča:

Termostaty, snímače teploty, dosky plošných spojov a svetelné zdroje sú k dispozícii minimálne sedem rokov po uvedení poslednej jednotky modelu na trh. Kľučky, závesy dverí, podnosy a koše minimálne na obdobie siedmich rokov a tesnenia dverí na minimálne 10 rokov po uvedení poslednej jednotky modelu na trh.

*Ďalšie informácie o výrobku nájdete na stránkach <https://eprel.ec.europa.eu/> alebo si oskenujte QR kód na štítku s údajmi o elektrickej spotrebe spotrebiča.

2022 verzia B

Haier Smart Home Co., Ltd.
No.1 Haier Road,Haier Industry Park,Hi-Tech Zone,
266103 Qingdao, Shandong, China
VYROBENÉ V ČÍNE

Haier



0060535245